



US0D1048878S

(12) **United States Design Patent** (10) **Patent No.:** **US D1,048,878 S**
Wardrop et al. (45) **Date of Patent:** **** Oct. 29, 2024**

(54) **GAME BOX**
(71) Applicant: **Arcknight, LLC**, Fort Worth, TX (US)
(72) Inventors: **Joshua Paul Wardrop**, Fort Worth, TX (US); **Philip Krog-Sorensen**, Fort Worth, TX (US)
(73) Assignee: **Arcknight, LLC**, Fort Worth, TX (US)
(**) Term: **15 Years**

(21) Appl. No.: **29/829,965**
(22) Filed: **Mar. 9, 2022**
(51) **LOC (14) Cl.** **09-03**
(52) **U.S. Cl.**
USPC **D9/420**
(58) **Field of Classification Search**
USPC D9/414, 415, 416, 417, 418, 419, 420, D9/421, 423, 424, 430, 431, 432, 433, D9/449, 455, 456, 713, 721, 737, 756, D9/758, 759, 760
CPC B31B 2110/35; B65B 7/20; B65D 5/00; B65D 5/0005; B65D 5/02; B65D 5/20; B65D 5/0236; B65D 5/0245; B65D 5/42; B65D 5/4266; B65D 5/542; B65D 5/725; B65D 81/3453; B65D 81/3813; B65D 5/46; B65D 5/46032; B65D 5/4604; B65D 5/4608
See application file for complete search history.

(56) **References Cited**
U.S. PATENT DOCUMENTS
D107,151 S * 11/1937 Helleu D3/205
D292,839 S * 11/1987 Brogdon 229/110
D373,306 S * 9/1996 Baxter D9/754
D509,733 S * 9/2005 Jongens D9/420
D538,643 S * 3/2007 Babbino D9/430
D557,602 S * 12/2007 Terrasi D9/431
D597,835 S * 8/2009 Kwon D9/432

D672,641 S * 12/2012 Bulls, Jr. D9/418
D695,101 S * 12/2013 Keberlein D9/416
D699,104 S * 2/2014 Durham D9/418
(Continued)

FOREIGN PATENT DOCUMENTS

CA 71697 * 10/1992
HK 0900371-0004 * 3/2009
WO WOD078952-001 * 8/2012

OTHER PUBLICATIONS

Wandic Paper Mache Box, posted at Amazon.ca on Apr. 23, 2021, [site visited Oct. 17, 2023]. Available from internet, URL: <https://www.amazon.ca/WANDIC-Treasure-Painting-Accessories-Cosmetics/dp/B093C6J73R?th=1> (Year: 2021).*

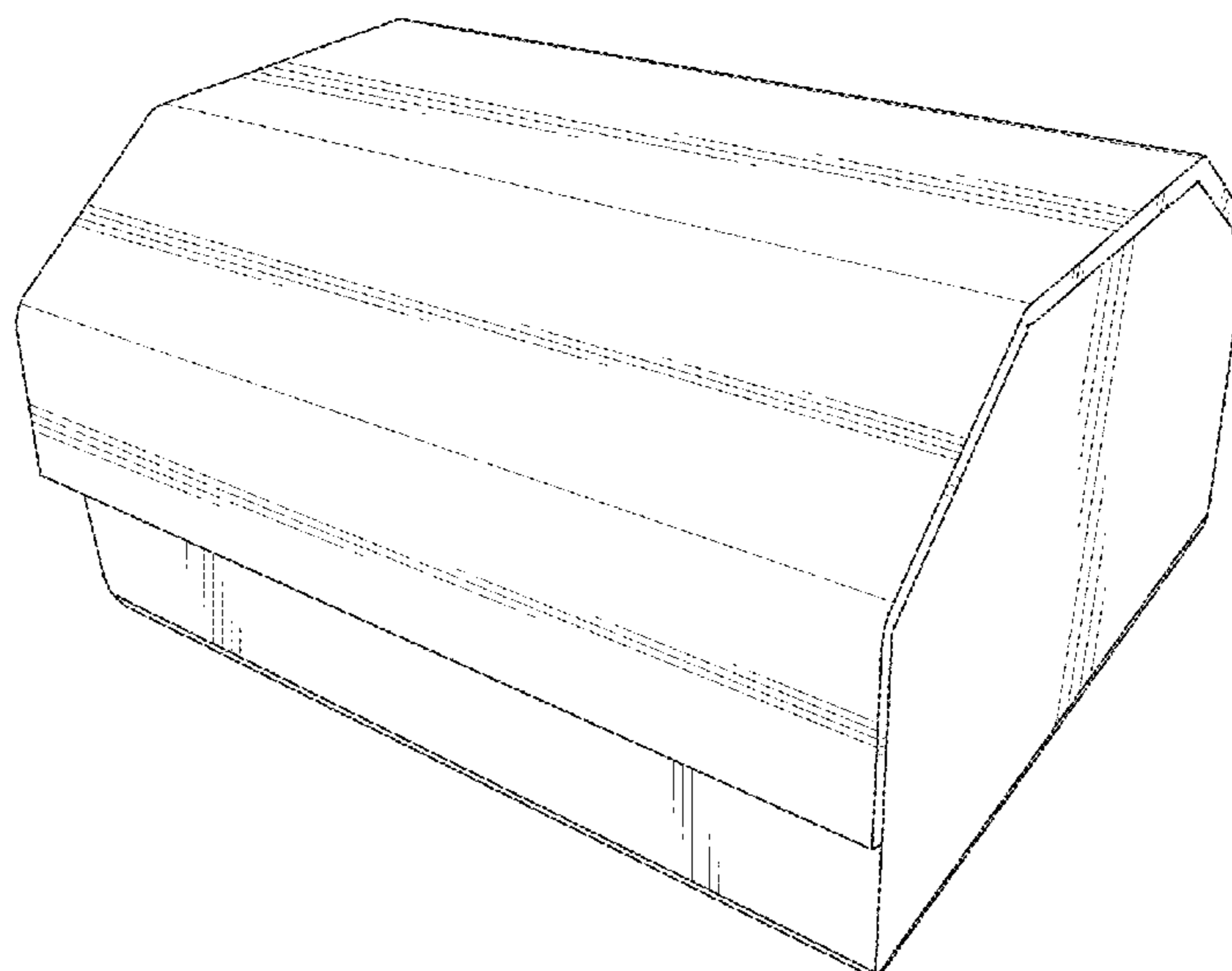
Primary Examiner — Andrew Kerr
Assistant Examiner — Chariton Alexakis
(74) *Attorney, Agent, or Firm* — Carlson, Gaskey & Olds, P.C.

(57) **CLAIM**
The ornamental design for a game box as shown and described.

DESCRIPTION

FIG. 1 is an isometric view of a game box showing our new design;
FIG. 2 is another isometric view thereof;
FIG. 3 is another isometric view thereof;
FIG. 4 is a front view thereof;
FIG. 5 is a rear view thereof;
FIG. 6 is a left side view thereof;
FIG. 7 is a right side view thereof;
FIG. 8 is a top view thereof;
FIG. 9 is a bottom view thereof; and,
FIG. 10 is another isometric view of the game box in an open position.
The broken lines in the drawings depict portions of the game box that form no part of the claimed design.

1 Claim, 10 Drawing Sheets



(56)

References Cited

U.S. PATENT DOCUMENTS

D752,429 S * 3/2016 Mayer D9/431
D946,858 S * 3/2022 Bartells D99/1

* cited by examiner

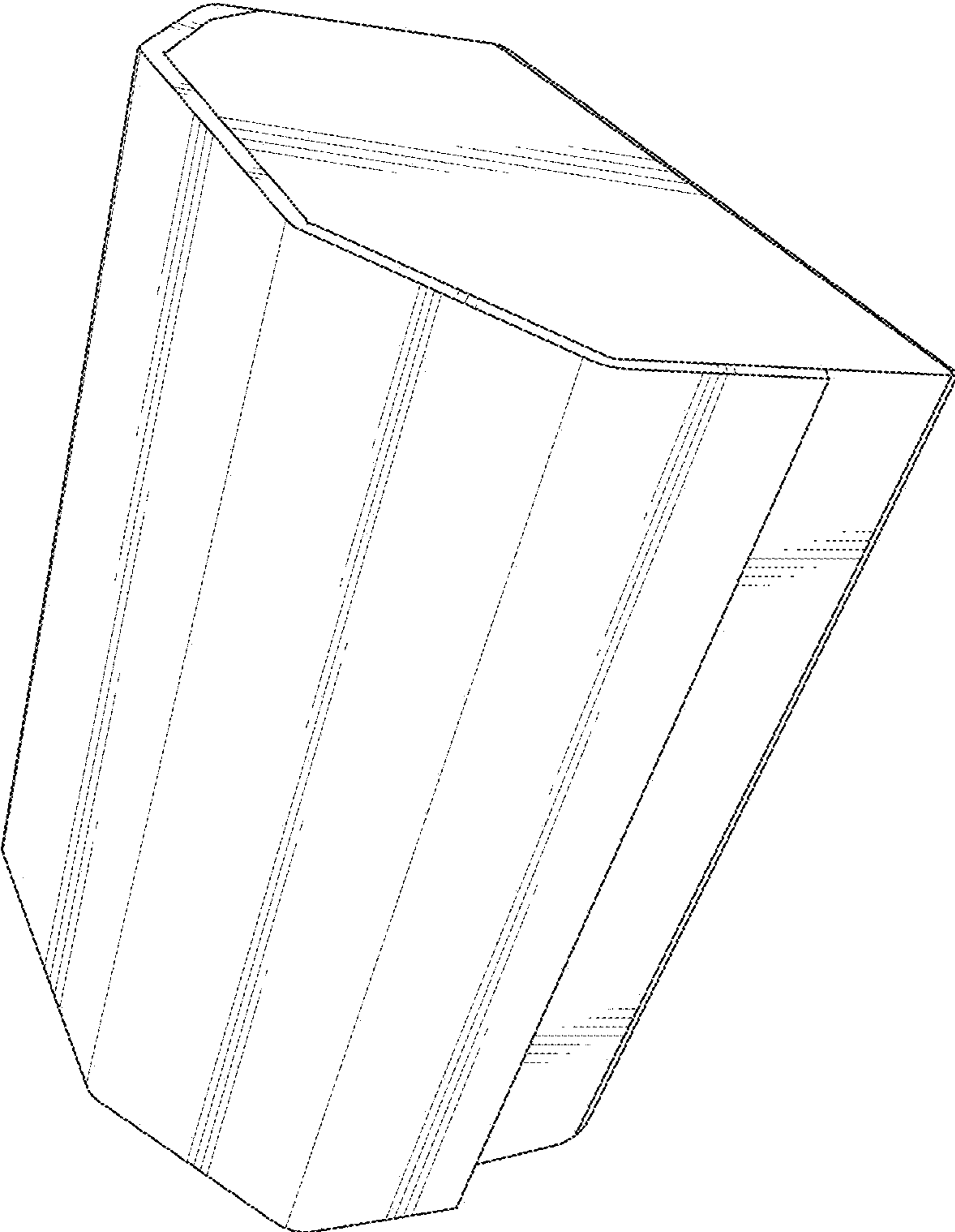


FIG. 1

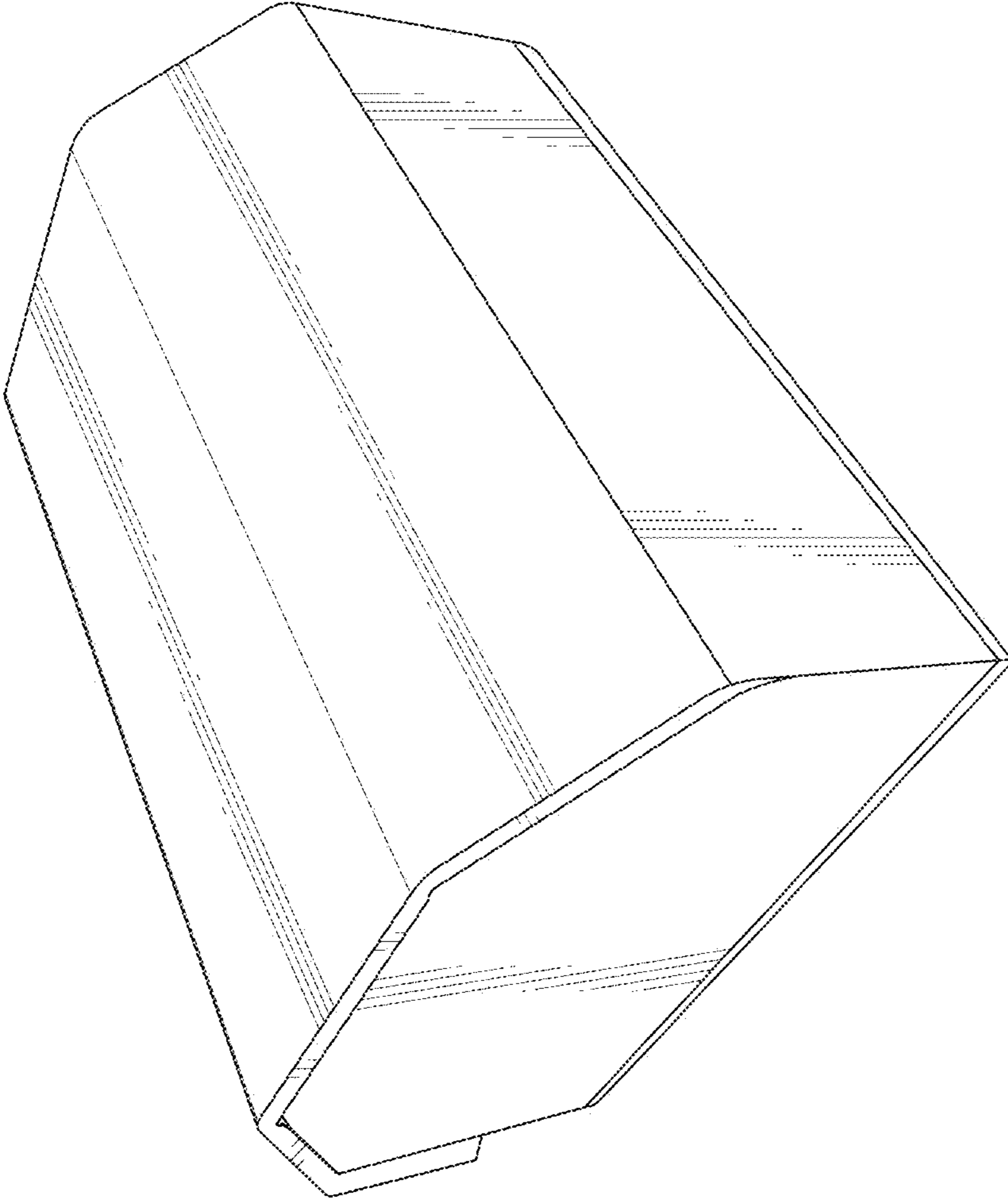


FIG. 2

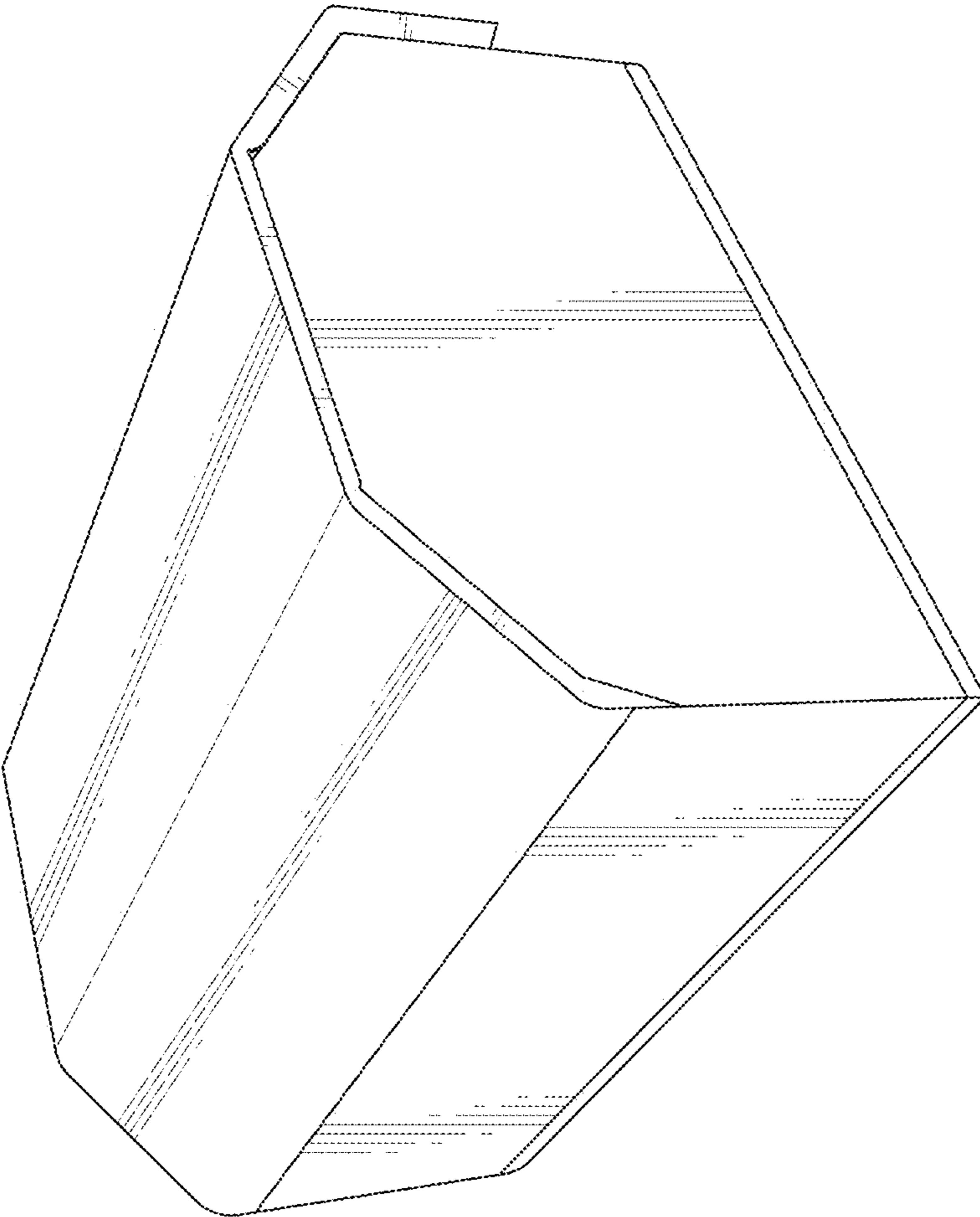


FIG. 3

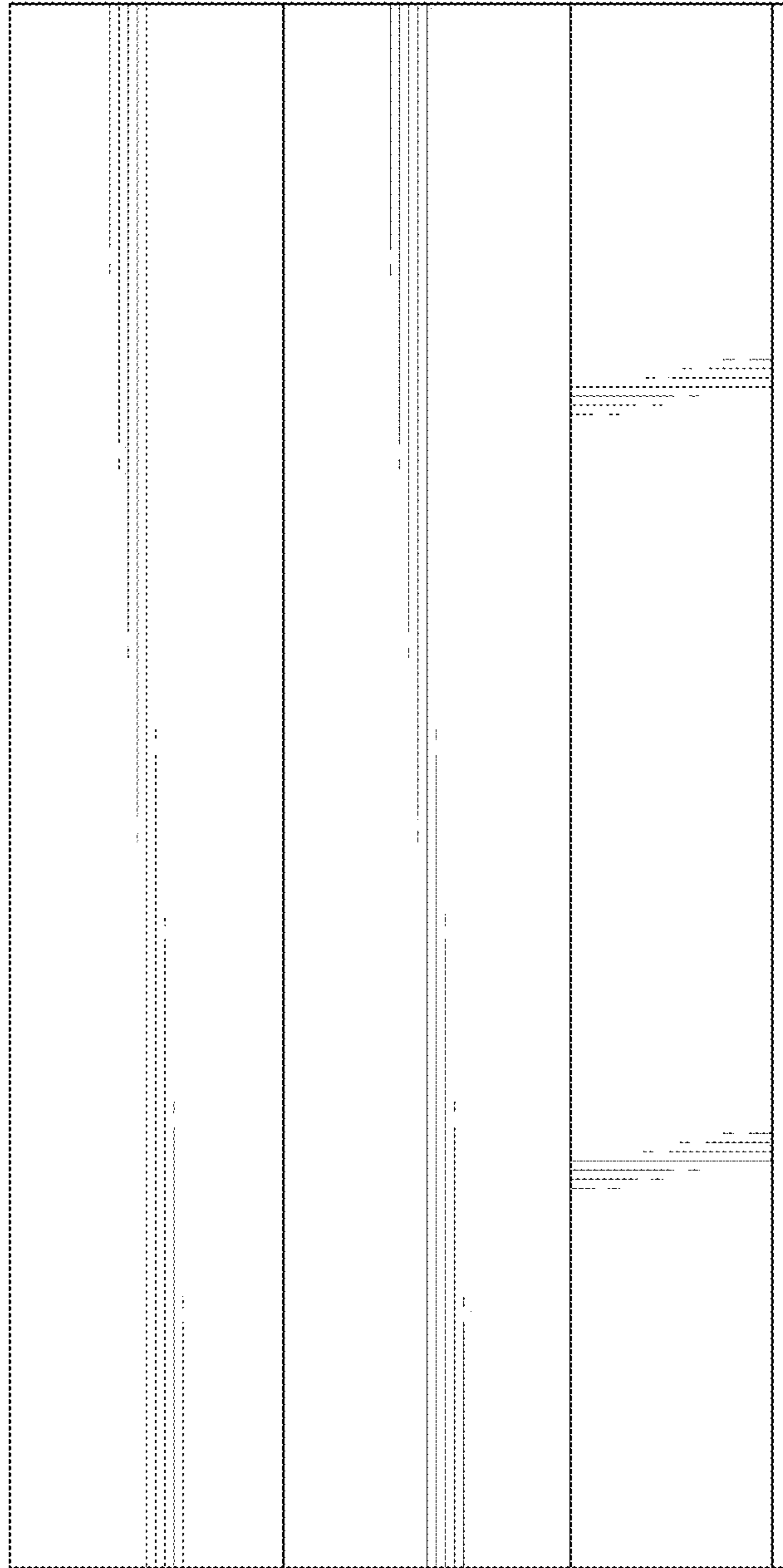


FIG. 4

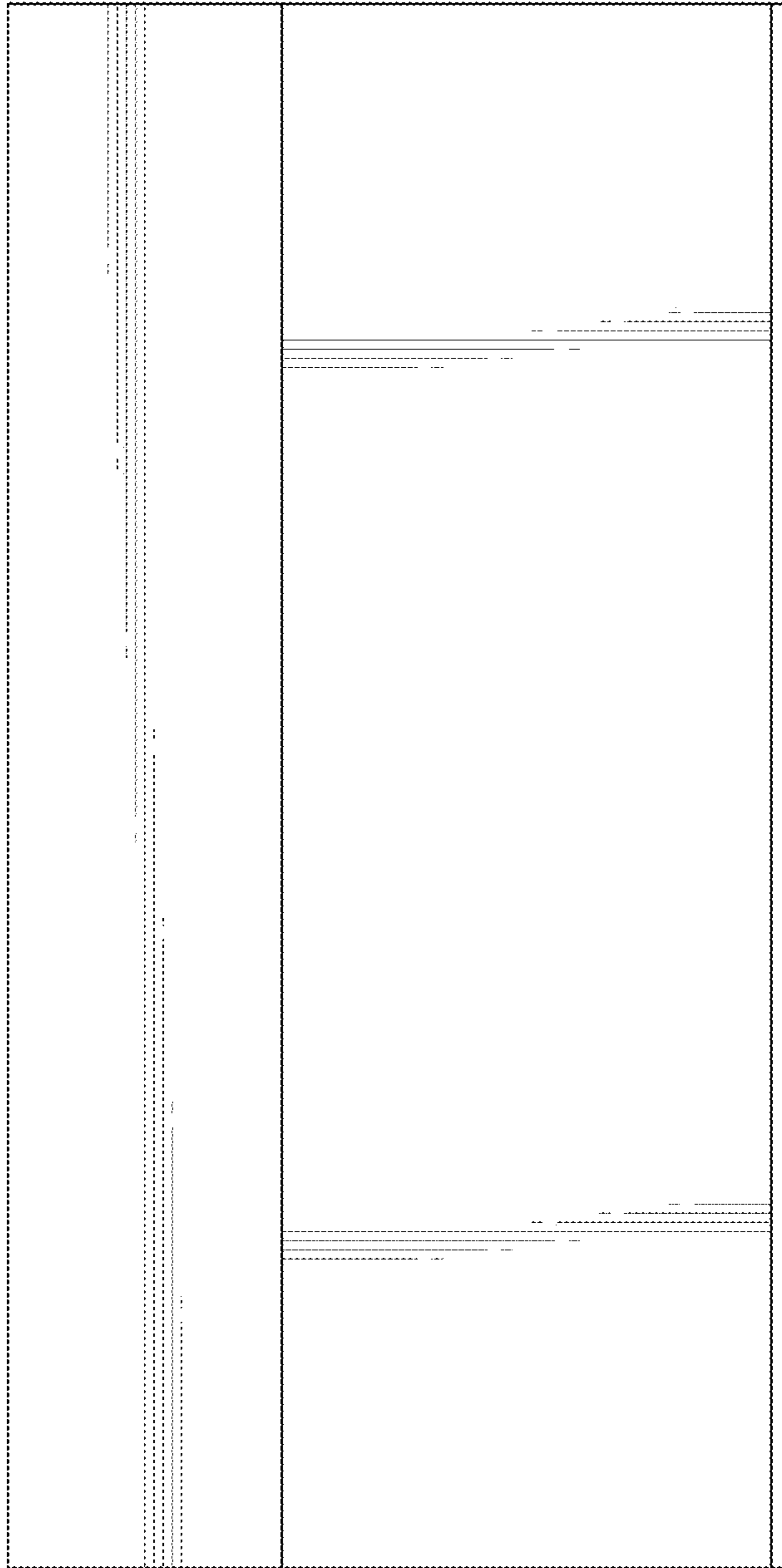


FIG. 5

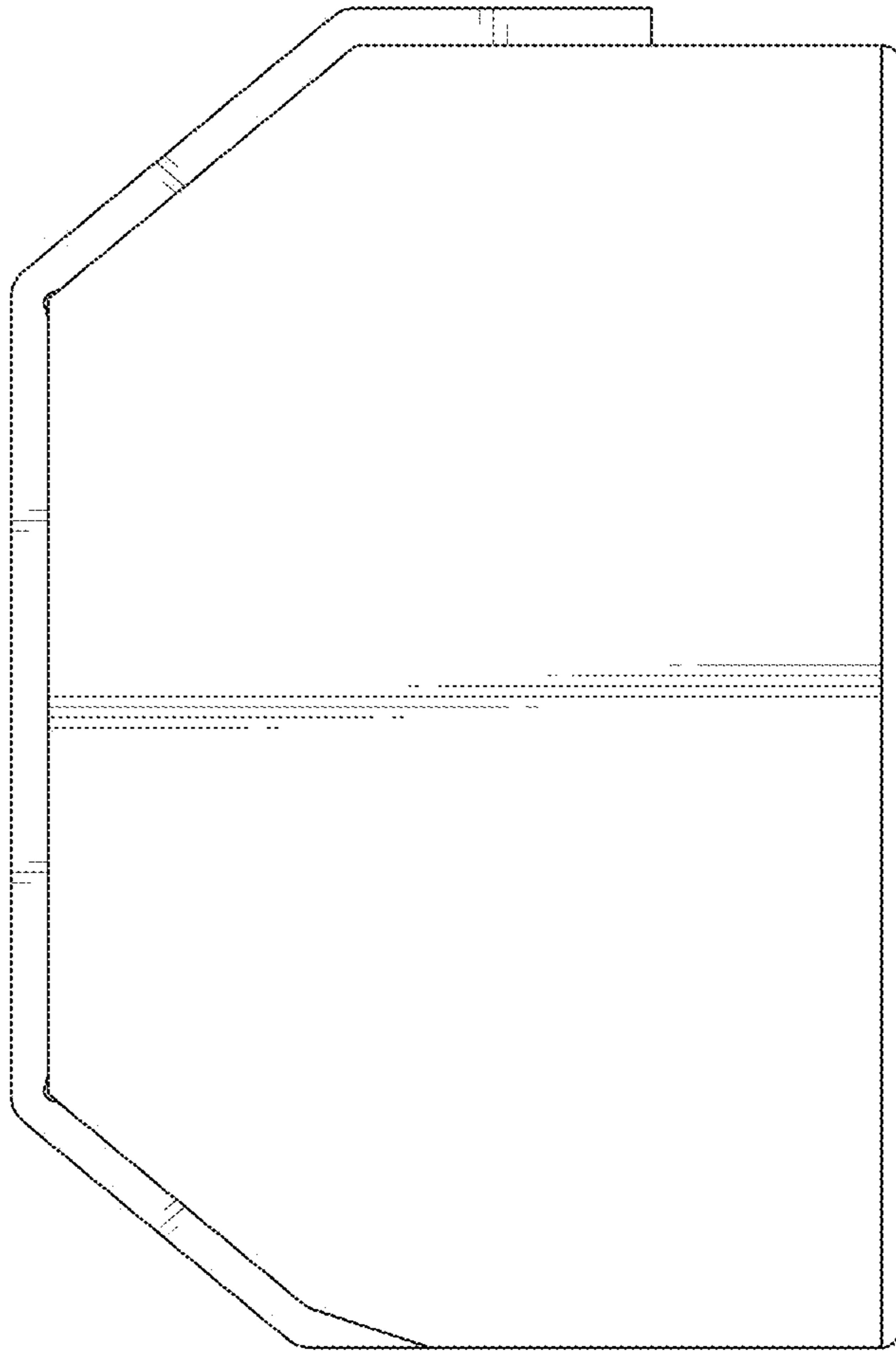


FIG. 6

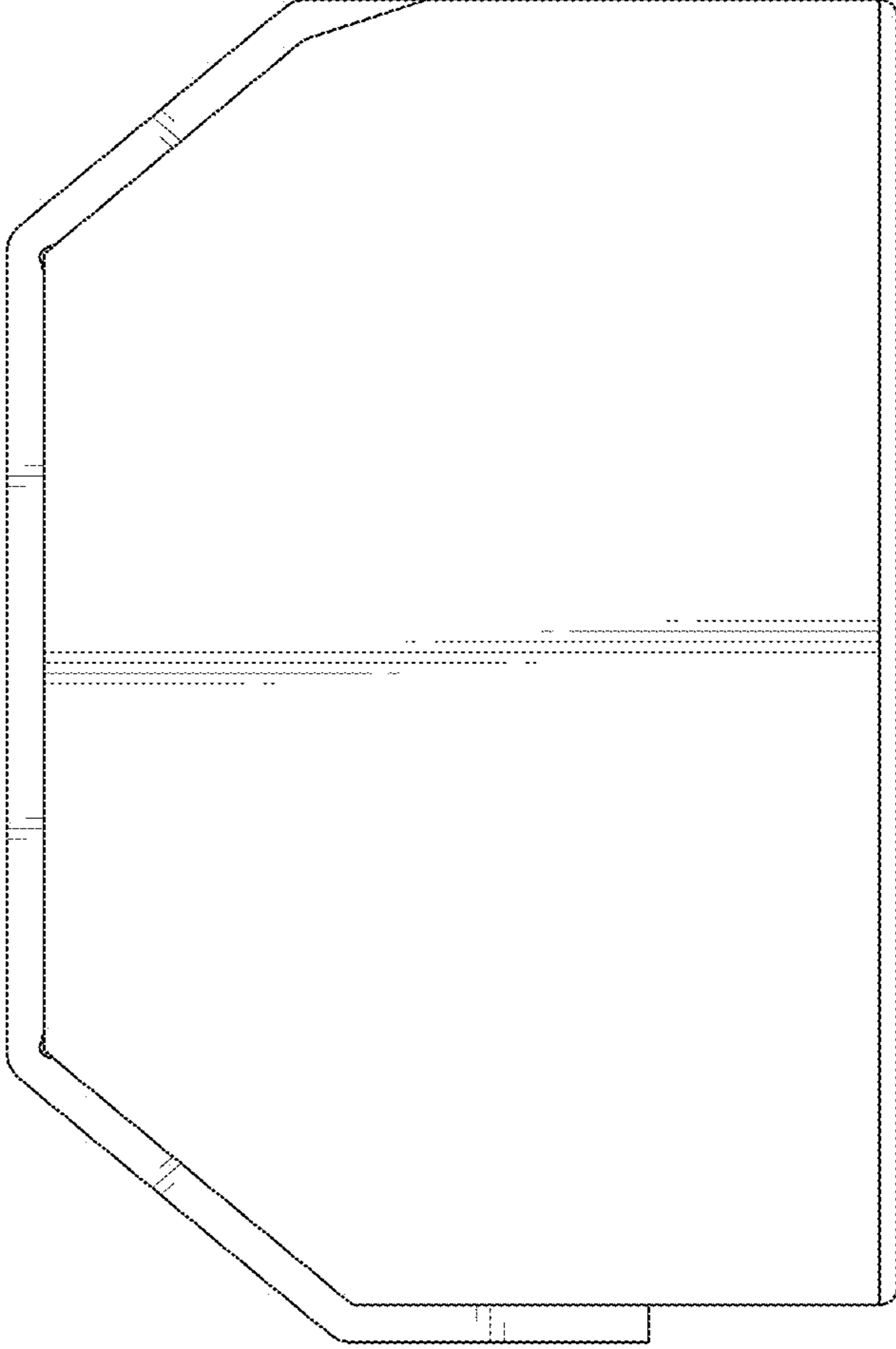


FIG. 7

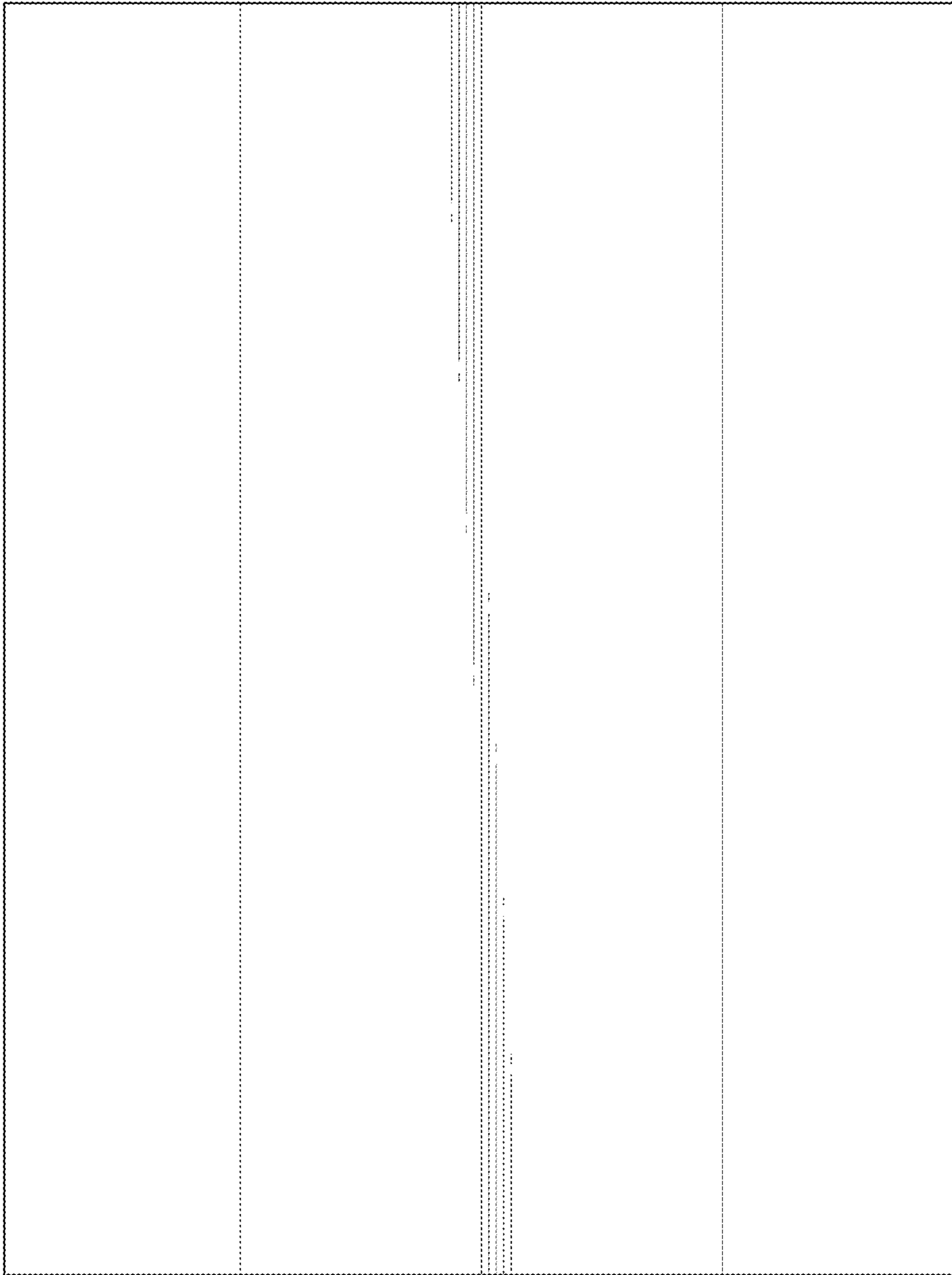


FIG. 8

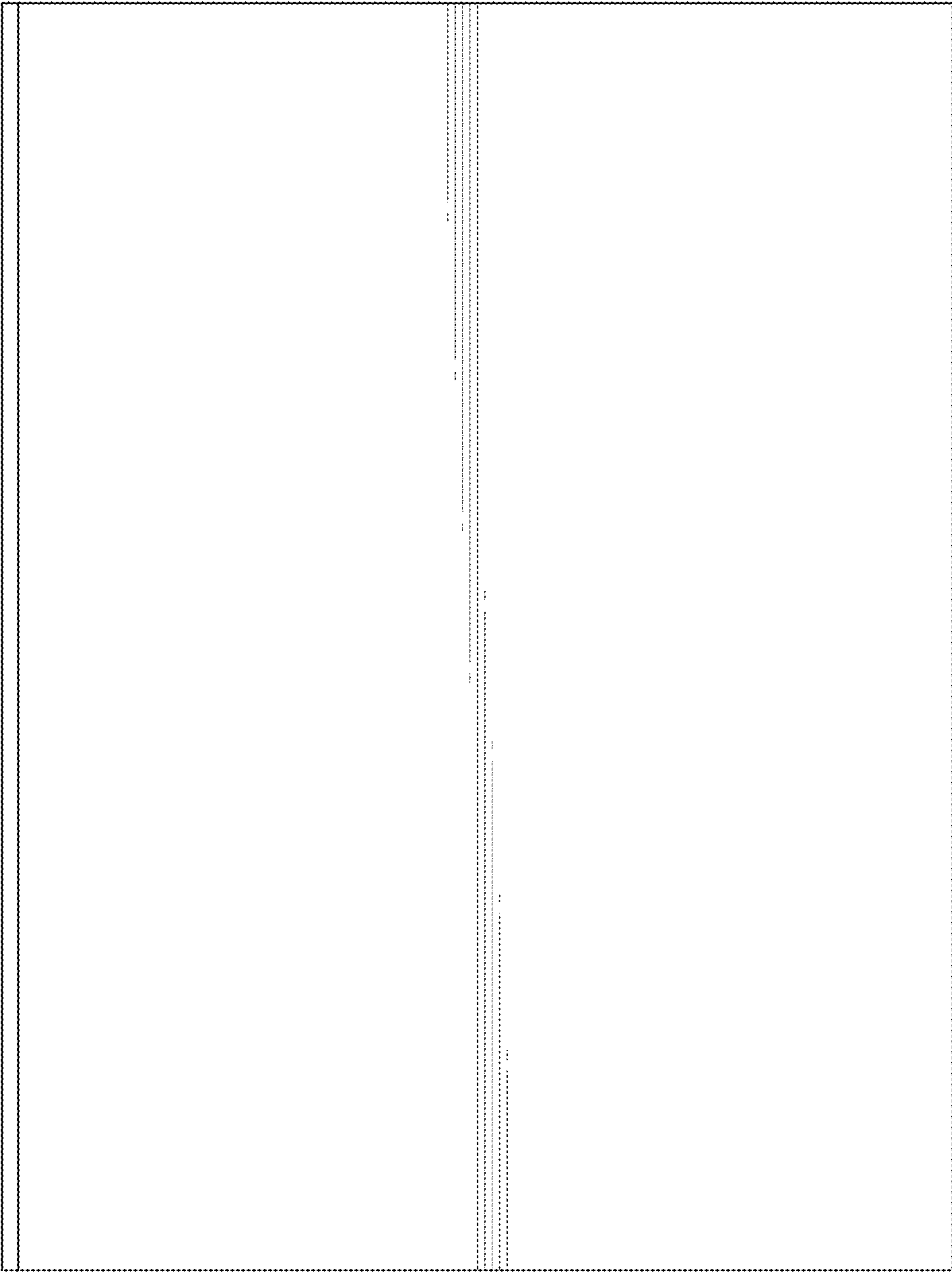


FIG. 9

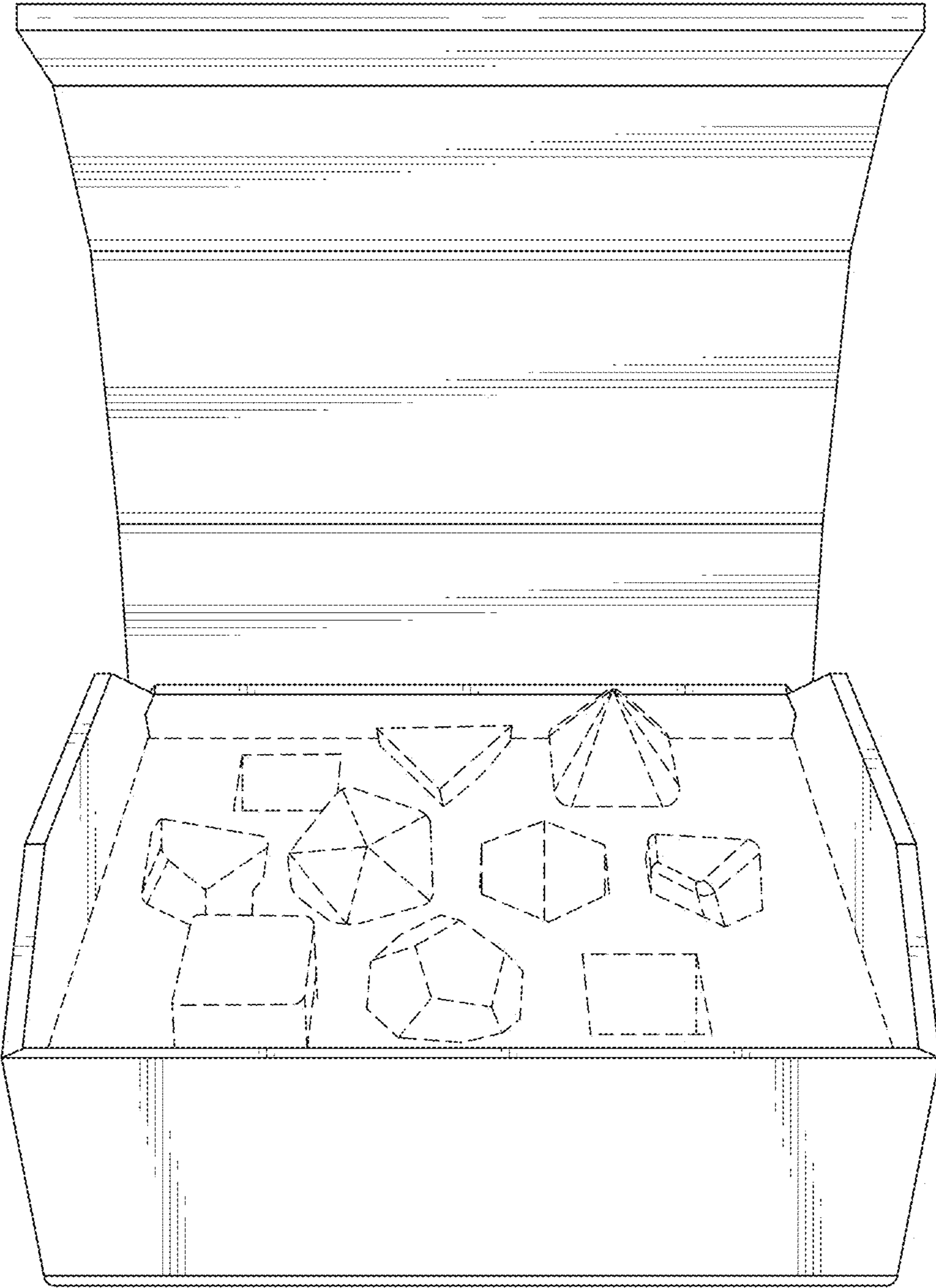


FIG. 10