



US0D1048849S

(12) **United States Design Patent** (10) **Patent No.:** **US D1,048,849 S**  
**Demers et al.** (45) **Date of Patent:** **\*\* Oct. 29, 2024**

(54) **TOOL HANDLE**

(71) Applicant: **LOWE'S COMPANIES, INC.**,  
Mooreville, NC (US)

(72) Inventors: **Brian Joseph Demers**, Huntersville,  
NC (US); **Joseph Allen Berlepsch**,  
Mooreville, NC (US)

(73) Assignee: **LOWE'S COMPANIES, INC.**,  
Mooreville, NC (US)

(\*\*) Term: **15 Years**

(21) Appl. No.: **29/833,399**

(22) Filed: **Apr. 4, 2022**

**Related U.S. Application Data**

(62) Division of application No. 29/724,345, filed on Feb. 14, 2020, now Pat. No. Des. 967,686, which is a division of application No. 29/669,214, filed on Nov. 6, 2018, now Pat. No. Des. 889,927, which is a division of application No. 29/601,602, filed on Apr. 24, 2017, now Pat. No. Des. 837,025, which is a division of application No. 29/530,843, filed on Jun. 19, 2015, now Pat. No. Des. 788,564, which is a division of application No. 29/472,387, filed on Nov. 12, 2013, now Pat. No. Des. 735,553, which is a division of application No. 29/406,984, filed on Nov. 21, 2011, now Pat. No. Des. 696,596, which is a division of application No. 29/390,549, filed on Apr. 26, 2011, now Pat. No. Des. 652,702, which is a division of application No. 29/361,192, filed on May 6, 2010, now Pat. No. Des. 639,132, which is a division of application No. 29/318,754, filed on May 27, 2008, now Pat. No. Des. 617,623, which is a division of application No. 29/249,420, filed on Oct. 5, 2006, now Pat. No. Des. 589,322.

(51) **LOC (14) Cl.** ..... **08-05**

(52) **U.S. Cl.**  
USPC ..... **D8/107; D8/68**

(58) **Field of Classification Search**

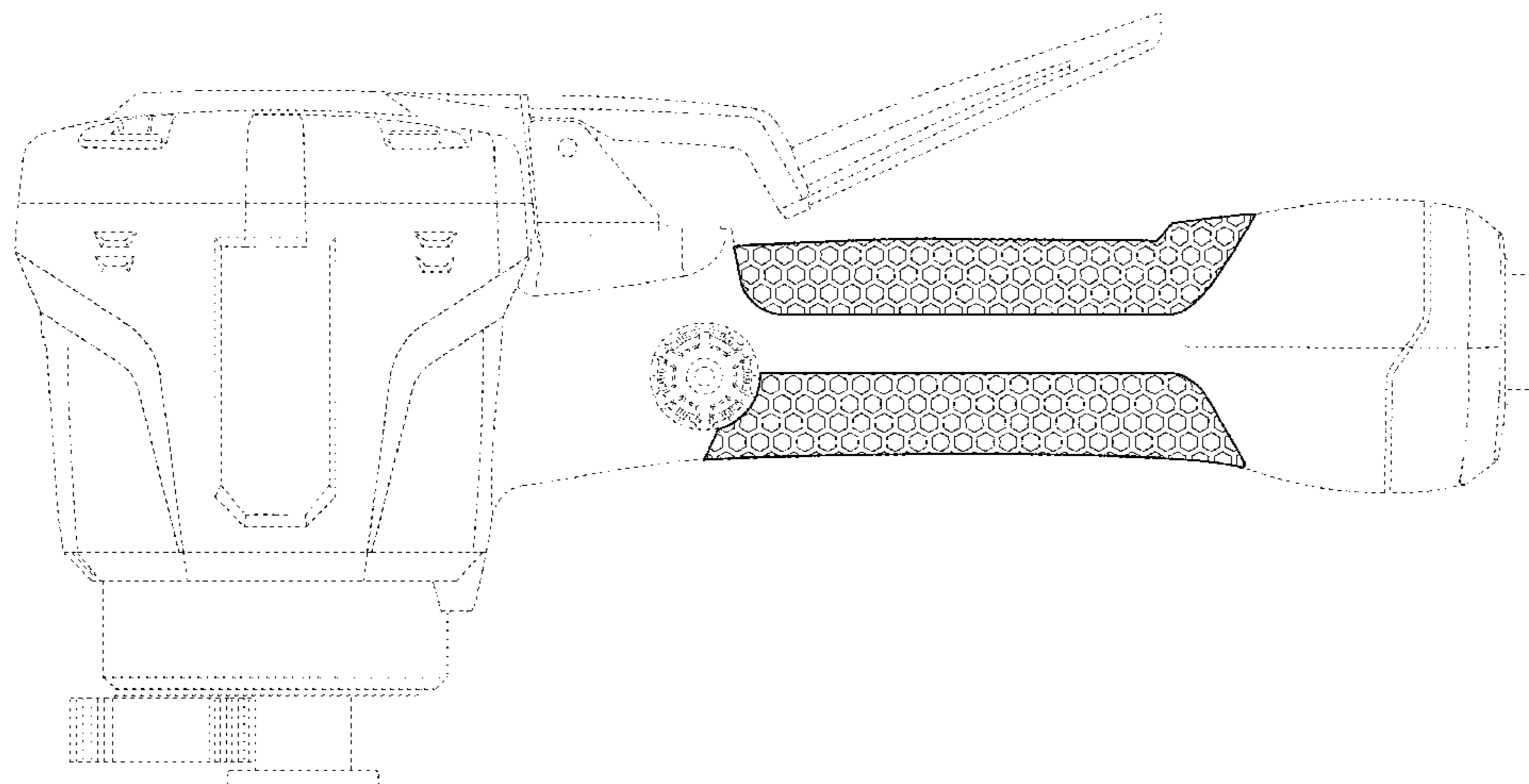
USPC ... D8/14, 51, 82, 83, 84, 85, 105, 107, 300;  
D7/395; D32/49, 52  
CPC ..... B25B 15/02; B25B 15/04; B25B 15/001;  
B25B 15/008; B25B 25/002; B25G  
1/005; B25G 1/046; B25G 1/085; B25G  
1/063

See application file for complete search history.

(56) **References Cited**

**U.S. PATENT DOCUMENTS**

106,079 A	8/1870	Sapp	
106,099 A	8/1870	Warren	
110,289 A	12/1870	Root	
114,283 A	5/1871	Gallaghee	
1,253,453 A	1/1918	Zorn	
1,257,948 A	2/1918	Aaron	
1,273,713 A	7/1918	Aaron	
1,674,485 A	6/1928	Smith	
D106,079 S	9/1937	Younglof	
D106,099 S	9/1937	Kalmis	
D110,289 S	6/1938	Morse	
D114,283 S	4/1939	Bach	
2,361,682 A	10/1944	Grabec	
D142,590 S	10/1945	Simon	
D151,860 S	11/1948	Stoyer	
D152,155 S	12/1948	Jacoff	
D177,537 S	4/1956	Schinske	
D180,805 S	8/1957	Plassman	
3,082,652 A	3/1963	Marti	
D199,088 S	9/1964	Hurlbut	
3,398,601 A	8/1968	Schroeder	
D218,009 S	7/1970	Bosak	
3,530,739 A	9/1970	Meier	
D233,507 S	11/1974	Stevens	
D246,691 S	12/1977	Takahashi	
D271,843 S	12/1983	Ferdinand et al.	
D282,236 S	1/1986	Shohoji et al.	
D288,769 S	3/1987	Doman	
D288,770 S	3/1987	Doman	
D289,136 S	4/1987	Doman	
D301,967 S	7/1989	Sakamoto et al.	
D303,748 S	* 10/1989	Yamagishi ..... D7/649	
D316,020 S	4/1991	Fushiya et al.	
5,084,935 A	2/1992	Kalthoff	
D324,411 S	3/1992	Jolibois	
D325,506 S	4/1992	Michas et al.	
D328,559 S	8/1992	Wilson	
D329,590 S	9/1992	Chapman	
D332,561 S	1/1993	Fushiya et al.	





# US D1,048,849 S

5,193,730 A	3/1993	Tanaka et al.		D471,784 S	3/2003	Garvis et al.	
D358,746 S	5/1995	Neff		D471,976 S	3/2003	Pavlu et al.	
D359,216 S *	6/1995	Kozak .....	D8/70	D472,787 S *	4/2003	Kyte .....	D8/80
D365,742 S	1/1996	Decursu et al.		D474,412 S	5/2003	Ichinose et al.	
5,528,834 A *	6/1996	Seber .....	B26B 3/06 30/340	D474,528 S *	5/2003	Huang .....	D23/225
D375,243 S *	11/1996	Hasegawa .....	D8/DIG. 4	D475,269 S	6/2003	Matern	
D375,269 S	11/1996	Wertheim et al.		D475,598 S	6/2003	Hung	
D376,637 S *	12/1996	Kieffer .....	D23/223	D477,980 S	8/2003	Chang	
5,579,556 A	12/1996	Chung		D478,292 S	8/2003	Hsu	
5,582,834 A	12/1996	Leung et al.		D479,110 S	9/2003	Nolan et al.	
D377,590 S	1/1997	Lai		D482,203 S	11/2003	Goulet	
D378,268 S *	3/1997	Schultz .....	D8/68	D482,259 S	11/2003	Chen	
D383,658 S	9/1997	Kaiser		D483,633 S	12/2003	Jansson et al.	
D387,734 S	12/1997	Hawkins, Jr. et al.		D483,634 S	12/2003	Jansson et al.	
D389,394 S	1/1998	Taylor		D484,767 S	1/2004	Hsu	
D394,995 S	6/1998	Cooper		D485,738 S	1/2004	Pretzell	
D396,619 S	8/1998	Hunter		D486,047 S	2/2004	Jansson et al.	
D398,507 S	9/1998	Thompson et al.		D486,050 S	2/2004	Rampen	
D399,113 S	10/1998	Balolia		D486,716 S	2/2004	Levine et al.	
D400,074 S *	10/1998	Cooper .....	D8/68	D487,025 S	2/2004	Grunstad et al.	
5,839,992 A	11/1998	Phillips		D487,875 S	3/2004	Wang	
D406,520 S	3/1999	Bunzel et al.		D490,680 S	6/2004	Levine et al.	
D407,000 S	3/1999	Jacoff		D491,083 S	6/2004	Lin	
D410,859 S	6/1999	Hioki		6,742,222 B2	6/2004	Furr-Britt et al.	
D411,726 S *	6/1999	Novak .....	D8/107	6,745,883 B2	6/2004	Eto et al.	
D412,273 S	7/1999	Chung		6,752,556 B2	6/2004	Pearce	
D415,007 S	10/1999	Jimenez et al.		D492,559 S	7/2004	Itano	
D415,971 S	11/1999	Hsu		D495,226 S	8/2004	Grant et al.	
D416,179 S	11/1999	Staton et al.		6,772,994 B1	8/2004	Lawless	
D416,182 S	11/1999	Kaiser et al.		6,776,073 B1	8/2004	Brady et al.	
D416,184 S	11/1999	Gathmann		6,796,002 B2	9/2004	Beckwith	
D416,775 S	11/1999	Hwang et al.		D501,538 S *	2/2005	Zeng .....	D23/226
D416,776 S	11/1999	Liu		6,858,286 B1	2/2005	Simm et al.	
D418,730 S	1/2000	Main		D502,377 S	3/2005	Aglassinger	
D418,731 S	1/2000	Rowlay et al.		D503,351 S	3/2005	Chen	
D420,879 S	2/2000	Watson et al.		D503,897 S	4/2005	Lin	
D421,231 S	2/2000	Hsu		D504,077 S	4/2005	Deboer et al.	
D422,481 S	4/2000	Bertani		D507,195 S	7/2005	Kondo et al.	
D424,401 S	5/2000	Ziemer		D507,197 S	7/2005	Sun	
6,056,344 A	5/2000	Forsyth		D507,950 S *	8/2005	Aglassinger .....	D8/68
6,062,323 A *	5/2000	Pusateri .....	B25B 21/00 173/221	D510,247 S	10/2005	White	
6,073,863 A *	6/2000	Wang .....	B05B 1/3026 239/525	D510,849 S	10/2005	Carlson et al.	
D429,134 S	8/2000	Schultz et al.		D512,291 S	12/2005	Thomas et al.	
D432,034 S	10/2000	Heimerle		D512,927 S *	12/2005	Verdura .....	D10/71
D432,381 S	10/2000	Khachatoorian		D515,383 S *	2/2006	Aglassinger .....	D8/69
D432,883 S	10/2000	Wingert		D515,389 S	2/2006	Hsu	
6,128,808 A	10/2000	Jansson et al.		D516,893 S	3/2006	Kuo	
D433,344 S	11/2000	Hsu		D517,645 S *	3/2006	Chang .....	D23/226
D434,298 S *	11/2000	Izumisawa .....	D8/68	D517,888 S	3/2006	Deboer et al.	
6,176,156 B1 *	1/2001	Coonrad .....	B25D 1/00 81/20	D517,889 S	3/2006	Hsieh	
6,186,386 B1	2/2001	Canlas et al.		D519,017 S	4/2006	Hsieh	
6,189,759 B1	2/2001	Canlas et al.		D519,816 S	5/2006	Budrow et al.	
6,195,562 B1	2/2001	Pirhonen et al.		D520,856 S	5/2006	Osiecki et al.	
D440,848 S	4/2001	Izumisawa		D520,859 S	5/2006	Osiecki et al.	
D440,856 S	4/2001	Jimenez		D521,346 S	5/2006	Budrow et al.	
D441,269 S	5/2001	Tsai		D521,347 S	5/2006	Budrow et al.	
D441,671 S	5/2001	Hsu		7,051,626 B1	5/2006	Chen et al.	
D442,053 S	5/2001	Jimenez		7,054,626 B2	5/2006	Rossmann	
D442,458 S	5/2001	Jimenez		D522,889 S	6/2006	Wallace	
D446,942 S	8/2001	Kim		D523,234 S	6/2006	Deboer et al.	
6,290,115 B1	9/2001	Chen		D527,236 S	8/2006	Wu	
D449,546 S	10/2001	Lee		D528,910 S	9/2006	Kingsley	
D453,880 S *	2/2002	Cheyne .....	D5/47	D529,357 S	10/2006	Qiu	
D454,477 S	3/2002	Lin		D530,200 S	10/2006	Kingsley	
6,363,579 B1	4/2002	King		D533,455 S	12/2006	Leck et al.	
6,371,348 B1	4/2002	Canlas et al.		D533,796 S	12/2006	Radivojevic et al.	
6,376,716 B1 *	4/2002	Arai .....	C07C 319/06 568/21	D534,091 S	12/2006	Ebihara	
D456,727 S	5/2002	Yang		D536,908 S	2/2007	Eros	
D457,003 S *	5/2002	Newman .....	D4/122	D536,944 S	2/2007	Tsai et al.	
6,460,256 B2 *	10/2002	Peppel .....	B25G 1/102 30/340	D537,308 S	2/2007	Wang	
D465,716 S *	11/2002	Hsieh .....	D8/107	D537,676 S	3/2007	Kingsley	
D467,483 S	12/2002	Heun		D537,697 S	3/2007	Jimenez	
D468,607 S	1/2003	Price et al.		D538,129 S	3/2007	Jansson et al.	
				D543,081 S	5/2007	Watson	
				D543,085 S	5/2007	Aglassinger	
				D543,812 S	6/2007	Burry et al.	
				D543,828 S	6/2007	Strutin-Belinoff et al.	
				D544,383 S	6/2007	Tarver, III	
				D544,770 S *	6/2007	Yang .....	D8/52



D547,624 S 7/2007 Strahorn  
D550,058 S 9/2007 Aglassinger  
D552,213 S \* 10/2007 Schmon ..... D23/226  
D553,907 S \* 10/2007 Catalano ..... D7/401.2  
D556,536 S \* 12/2007 Aglassinger ..... D8/107  
D560,127 S 1/2008 Elam  
D562,398 S 2/2008 Qiu et al.  
D568,715 S 5/2008 Gustafson et al.  
D570,664 S 6/2008 Tang  
D571,679 S 6/2008 Mcewan et al.  
D572,553 S 7/2008 Demers et al.  
D572,558 S 7/2008 Demers et al.  
D572,559 S 7/2008 Demers et al.  
D572,560 S 7/2008 Demers et al.  
D572,561 S 7/2008 Demers et al.  
D572,563 S 7/2008 Mcroberts et al.  
D572,564 S \* 7/2008 Tilk ..... D8/107  
D572,613 S 7/2008 Levick et al.  
D572,614 S 7/2008 Mcewan et al.  
D576,853 S 9/2008 Aglassinger  
D578,852 S 10/2008 Enriquez  
D584,116 S \* 1/2009 Jackson ..... D7/696  
D584,592 S 1/2009 Irby  
D585,261 S 1/2009 Shih  
D589,321 S 3/2009 Demers et al.  
D589,322 S \* 3/2009 Demers ..... D8/107  
D590,225 S 4/2009 Sell  
D591,570 S 5/2009 Lee et al.  
D592,731 S \* 5/2009 Hung ..... D23/223  
D594,304 S 6/2009 Aglassinger  
D597,811 S 8/2009 Yu  
D600,996 S 9/2009 Sterling  
7,594,548 B1 9/2009 Puzio et al.  
D604,186 S 11/2009 Schrage  
D604,579 S 11/2009 Robinson et al.  
D604,580 S 11/2009 Robinson et al.  
D604,583 S 11/2009 Yamamoto et al.  
D605,012 S 12/2009 Robinson et al.  
D608,616 S 1/2010 Demers et al.  
D609,549 S 2/2010 Demers et al.  
D615,381 S \* 5/2010 Demers ..... D8/107  
D617,623 S \* 6/2010 Demers ..... D8/80  
7,730,589 B2 6/2010 Dineen  
D620,777 S \* 8/2010 Demers ..... D8/107  
7,766,097 B2 8/2010 Kondo  
7,770,262 B2 8/2010 Schultz et al.  
D627,619 S 11/2010 Demers et al.  
D639,132 S \* 6/2011 Demers ..... D8/107  
D642,889 S \* 8/2011 Boehm ..... D8/107  
D644,906 S 9/2011 Demers et al.  
D644,909 S 9/2011 Demers et al.  
8,066,205 B2 \* 11/2011 Bass ..... B05B 7/0815  
239/526  
D652,702 S \* 1/2012 Demers ..... D8/52  
D655,994 S 3/2012 Schoch  
D671,387 S \* 11/2012 Demers ..... D8/107  
8,330,029 B2 12/2012 Dunlop  
D673,436 S 1/2013 Murray et al.  
D673,437 S 1/2013 Schoch  
8,418,321 B1 4/2013 Heiman  
D683,427 S \* 5/2013 Moore ..... D23/226  
D696,596 S \* 12/2013 Demers ..... D10/72  
8,615,888 B2 \* 12/2013 Catalano ..... B26B 29/02  
30/340  
D735,553 S \* 8/2015 Demers ..... D8/107  
D745,636 S \* 12/2015 Lin ..... D23/226  
D782,008 S \* 3/2017 Näslund ..... D23/226  
D788,564 S \* 6/2017 Demers ..... D8/107  
D796,004 S \* 8/2017 Yang ..... D23/225  
D812,718 S \* 3/2018 Kosaka ..... D23/226  
D815,490 S \* 4/2018 Constantine ..... D8/107  
D826,025 S \* 8/2018 Harrington ..... D8/107  
D837,025 S \* 1/2019 Demers ..... D8/107  
D837,205 S 1/2019 Hu  
D839,708 S \* 2/2019 Croghan ..... D8/68  
D859,115 S \* 9/2019 Cooper ..... B25F 5/02  
D8/68  
D861,455 S \* 10/2019 Chang ..... D8/107  
D862,189 S \* 10/2019 Taylor ..... D8/69

2003/0094294 A1 5/2003 Fritz  
2003/0172498 A1 9/2003 Polzin et al.  
2004/0246735 A1 12/2004 Huang  
2005/0001070 A1 1/2005 Wu  
2005/0178858 A1 8/2005 Roman  
2006/0090265 A1 5/2006 Fisher et al.  
2006/0175069 A1 8/2006 Sakakibara et al.  
2012/0012671 A1 1/2012 Brose et al.  
2014/0048627 A1 2/2014 Schmon et al.  
2015/0165463 A1 6/2015 Gehrung

FOREIGN PATENT DOCUMENTS

EM 000702089-0002 4/2007  
JP D 1253453 2/2005  
TW 144783 B 10/1990  
TW 232614 B 10/1994  
TW 251211 B 7/1995  
TW 309829 B 7/1997  
TW 390769 B 5/2000  
TW 391820 B 5/2000  
TW 403527 B 8/2000  
TW 405983 B 9/2000  
TW 433951 B 5/2001  
TW 440312 B 6/2001  
TW 440384 B 6/2001  
TW 443904 B 6/2001  
TW 453826 B 9/2001  
TW 478775 B 3/2002  
TW 539445 B 6/2003  
TW 542548 B 7/2003  
TW D 106099 8/2004  
TW D 114283 2/2005  
TW D 110289 4/2005  
TW D 106079 8/2005

OTHER PUBLICATIONS

Taiwanese Search Report for Design Application No. 096301934 dated Nov. 28, 2008.

\* cited by examiner

Primary Examiner — Darlington Ly  
(74) Attorney, Agent, or Firm — Moore & Van Allen PLLC; W. Kevin Ransom

(57) CLAIM

The ornamental design for a tool handle as shown and described.

DESCRIPTION

FIG. 1 is a perspective view of a first embodiment of the tool handle according to the present invention;  
FIG. 2 is a plan view of the top side of the tool handle of FIG. 1;  
FIG. 3 is a plan view of the bottom side of the tool handle of FIG. 1;  
FIG. 4 is an elevational view of the front side of the tool handle of FIG. 1;  
FIG. 5 is an elevational view of the rear side of the tool handle of FIG. 1;  
FIG. 6 is an elevational view of the left side of the tool handle of FIG. 1;  
FIG. 7 is an elevational view of the right side of the tool handle of FIG. 1;  
FIG. 8 is a perspective view of a second embodiment of the tool handle according to the present invention;  
FIG. 9 is an elevational view of the right side of the tool handle of FIG. 8;

FIG. 10 is an elevational view of the rear side of the tool handle of FIG. 8;

FIG. 11 is an elevational view of the front left of the tool handle of FIG. 8;

FIG. 12 is an elevational view of the front side of the tool handle of FIG. 8;

FIG. 13 is a plan view of the bottom side of the tool handle of FIG. 8;

FIG. 14 is a plan view of the top side of the tool handle of FIG. 8;

FIG. 15 is an enlarged, perspective view of the tool handle of FIG. 8;

FIG. 16 is an enlarged, elevational view of the top side of the tool handle of FIG. 8;

FIG. 17 is an enlarged, elevational view of the bottom side of the tool handle of FIG. 8; and,

FIG. 18 is an enlarged, a plan view of the front side of the tool handle of FIG. 8, where the back side view is the same as the front side view.

The broken lines shown in the drawings illustrate portions of the tool handle and environmental structure that form no part of the claimed design.

**1 Claim, 18 Drawing Sheets**

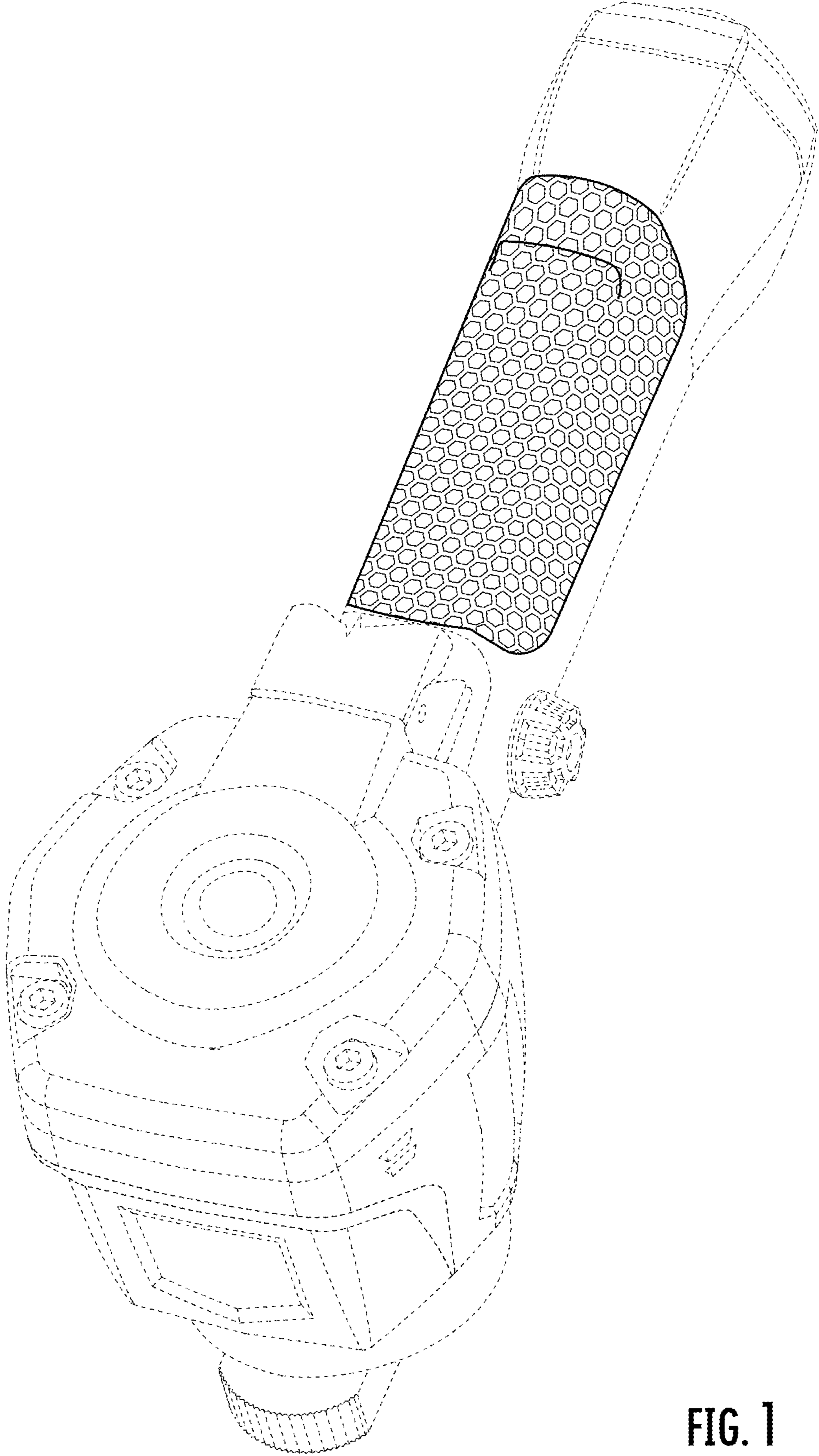


FIG. 1



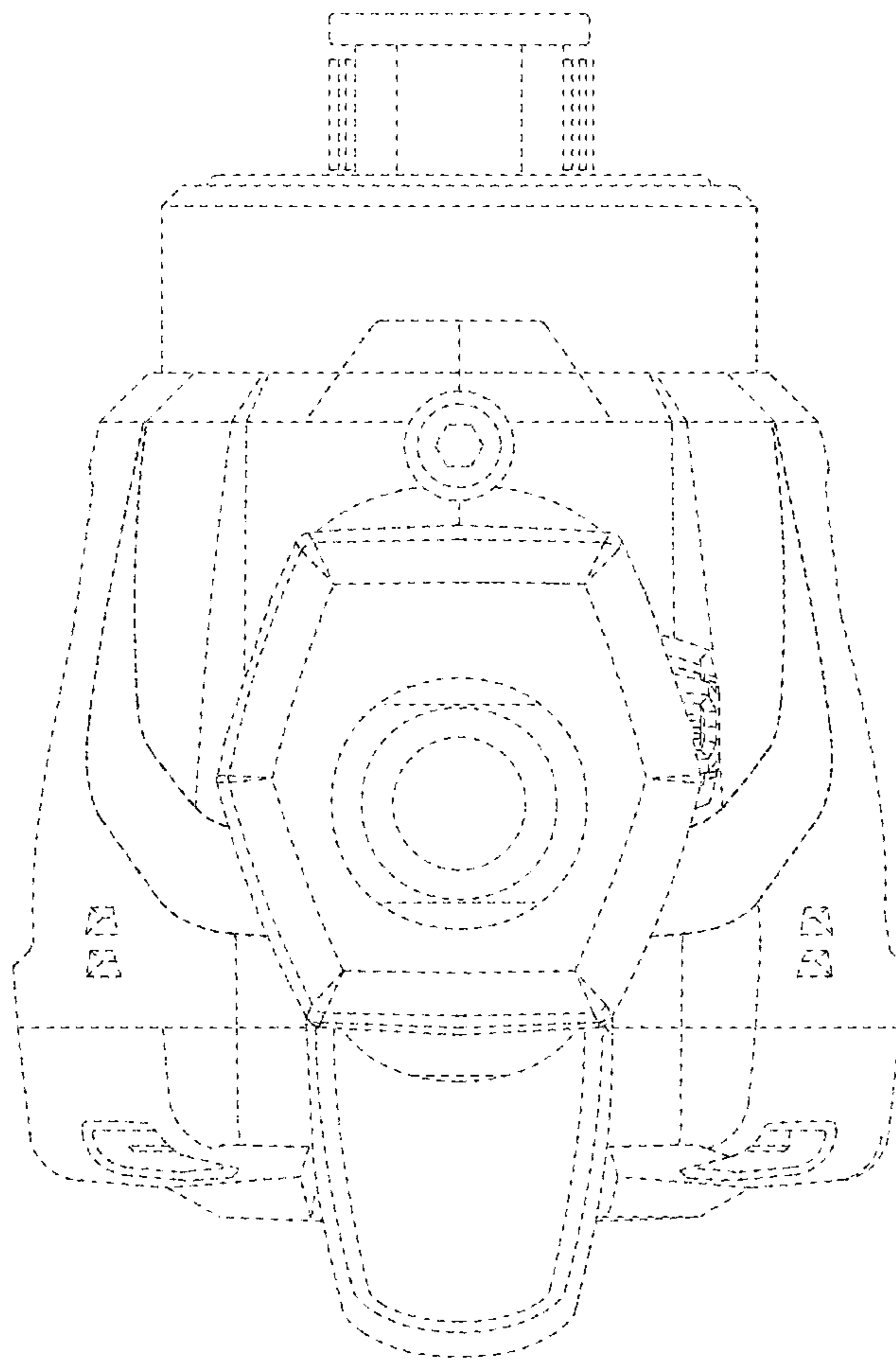


FIG. 2

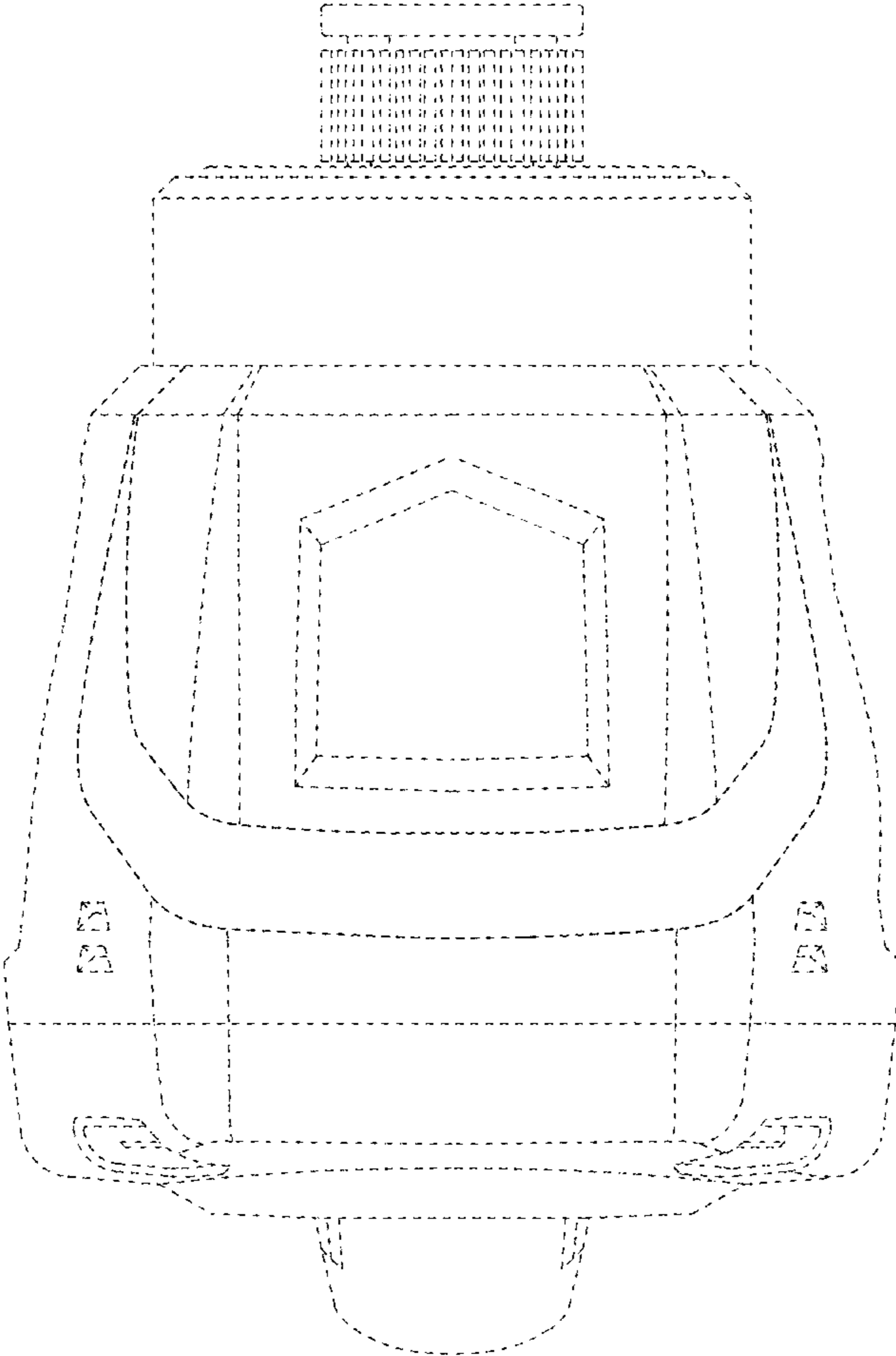


FIG. 3

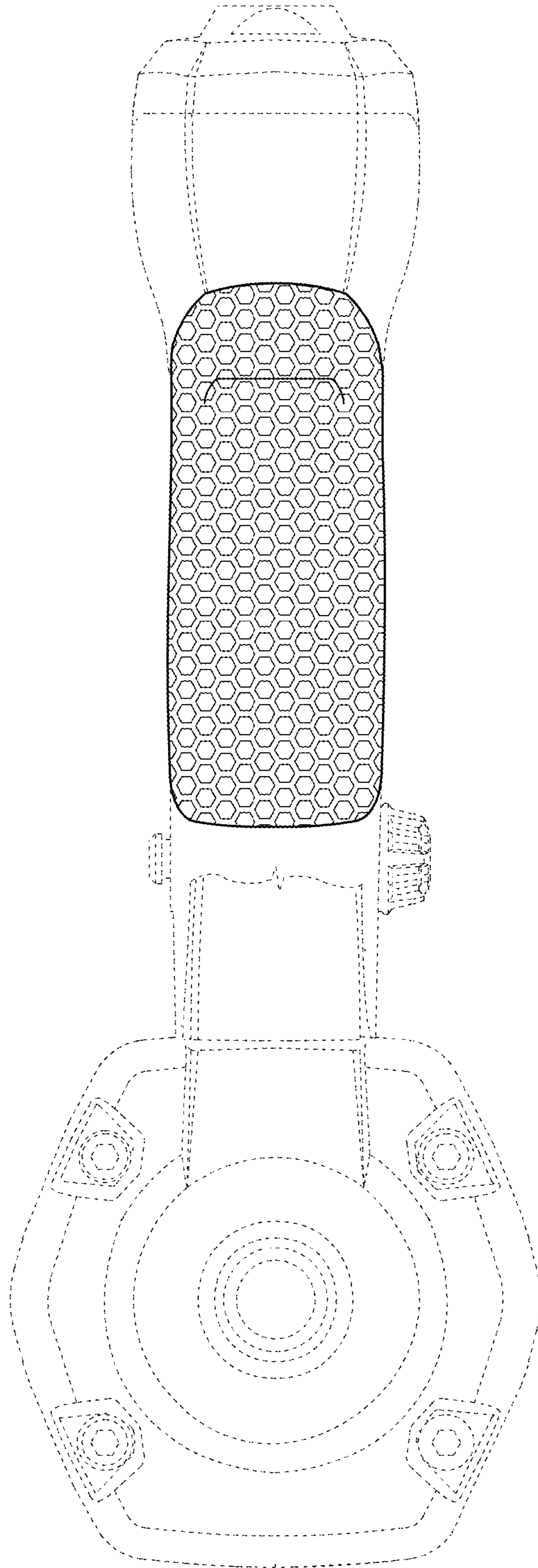


FIG. 4



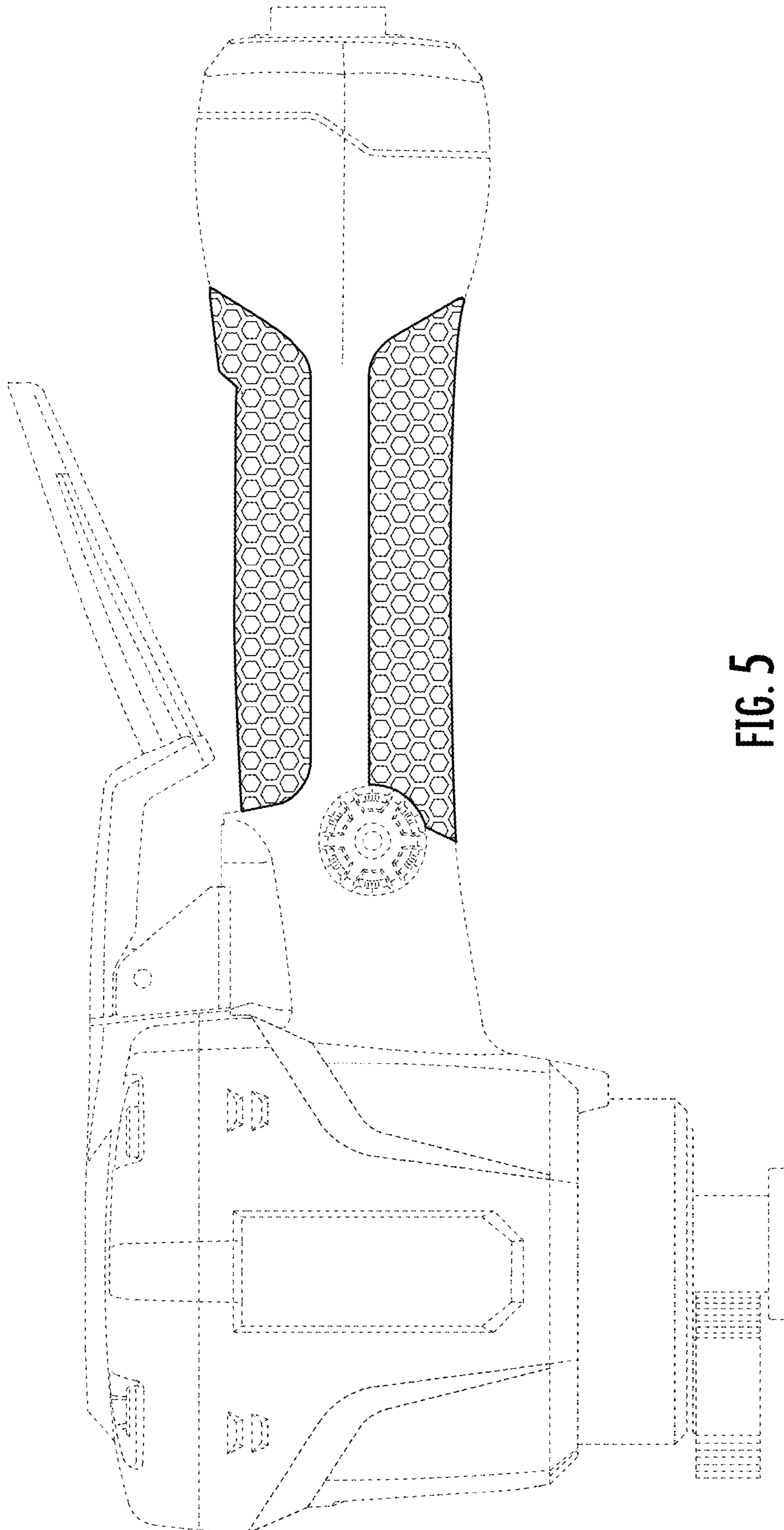


FIG. 5

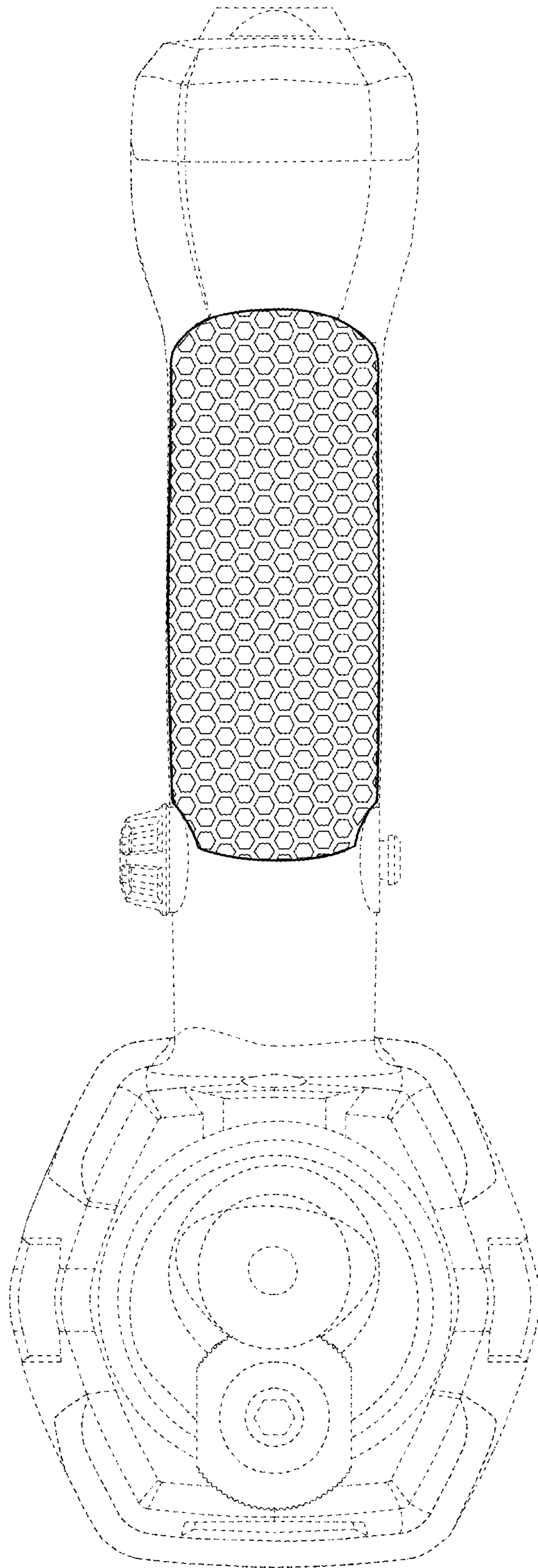


FIG. 6

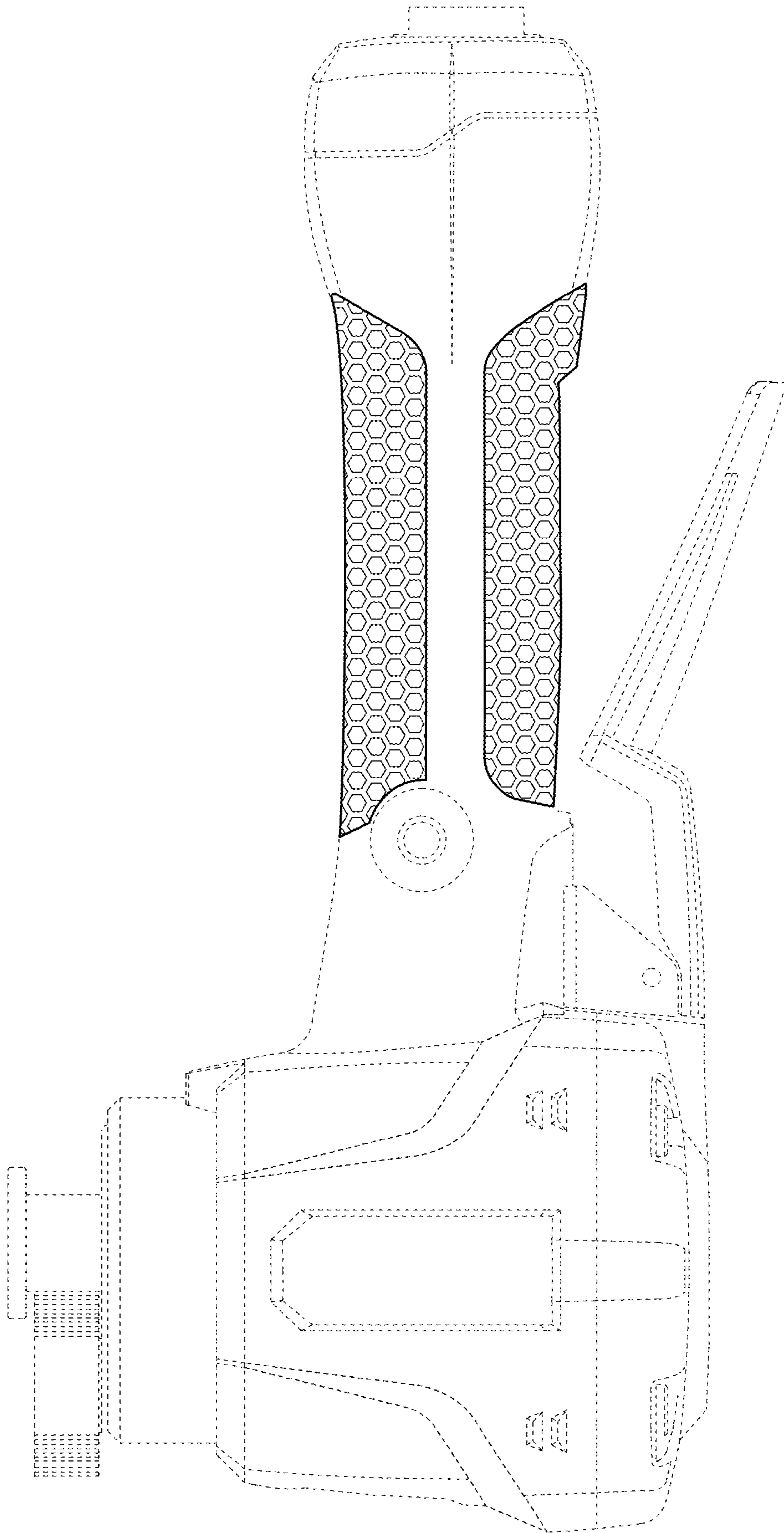


FIG. 7



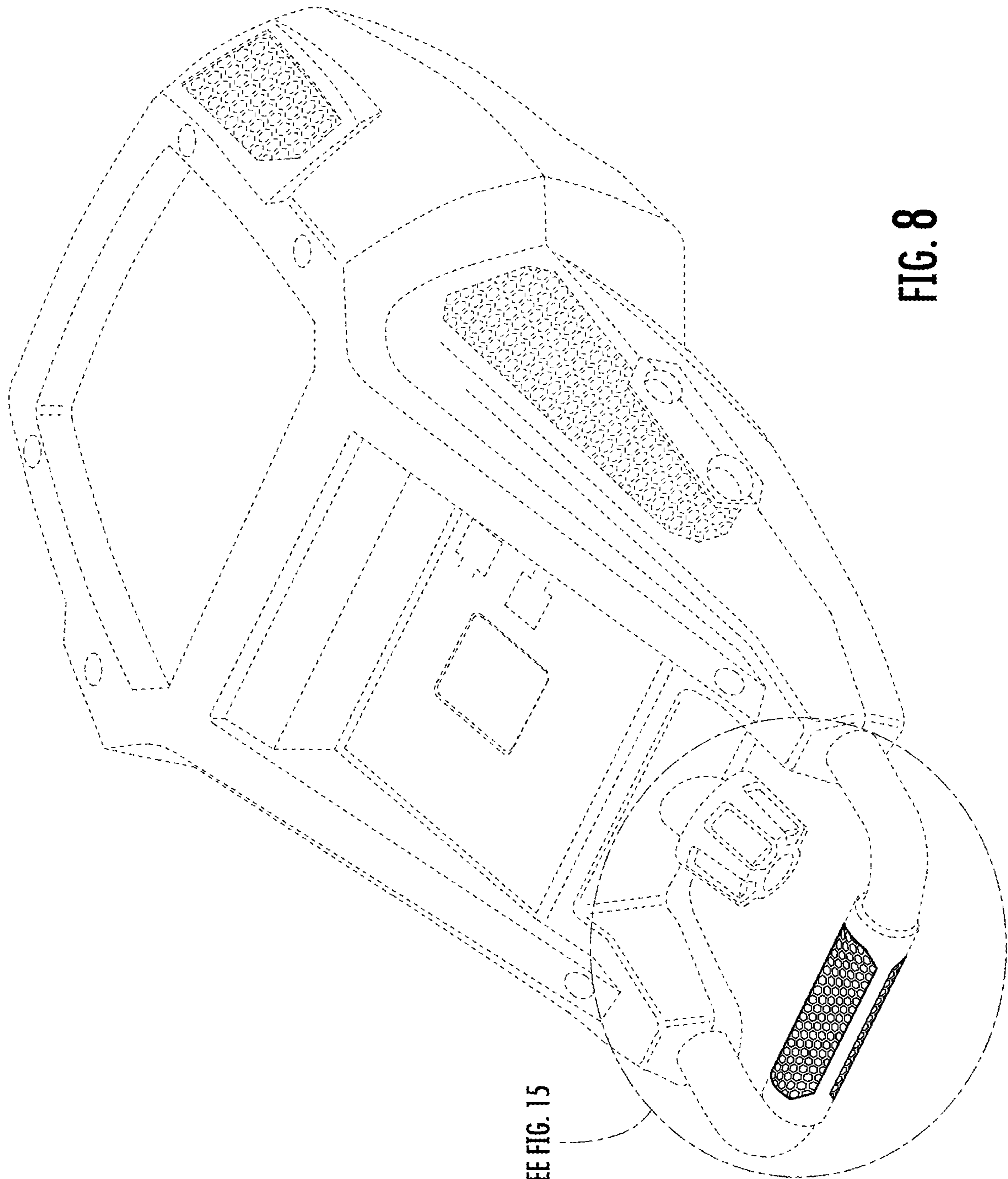


FIG. 8

SEE FIG. 15

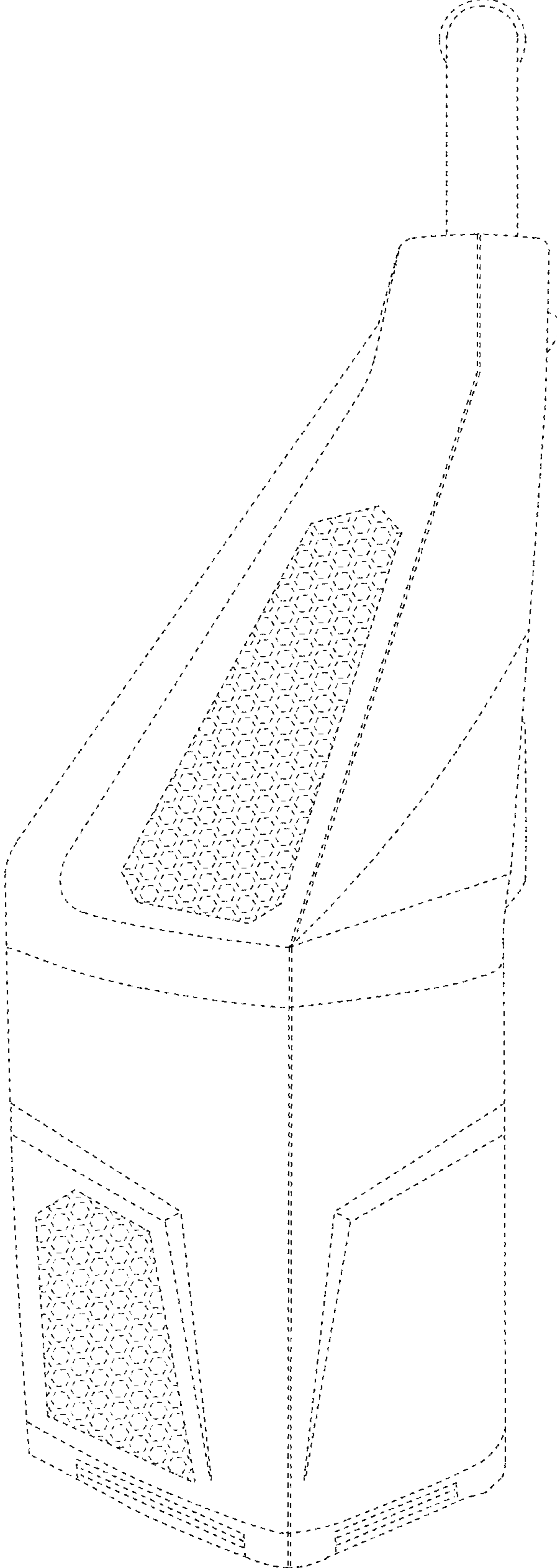
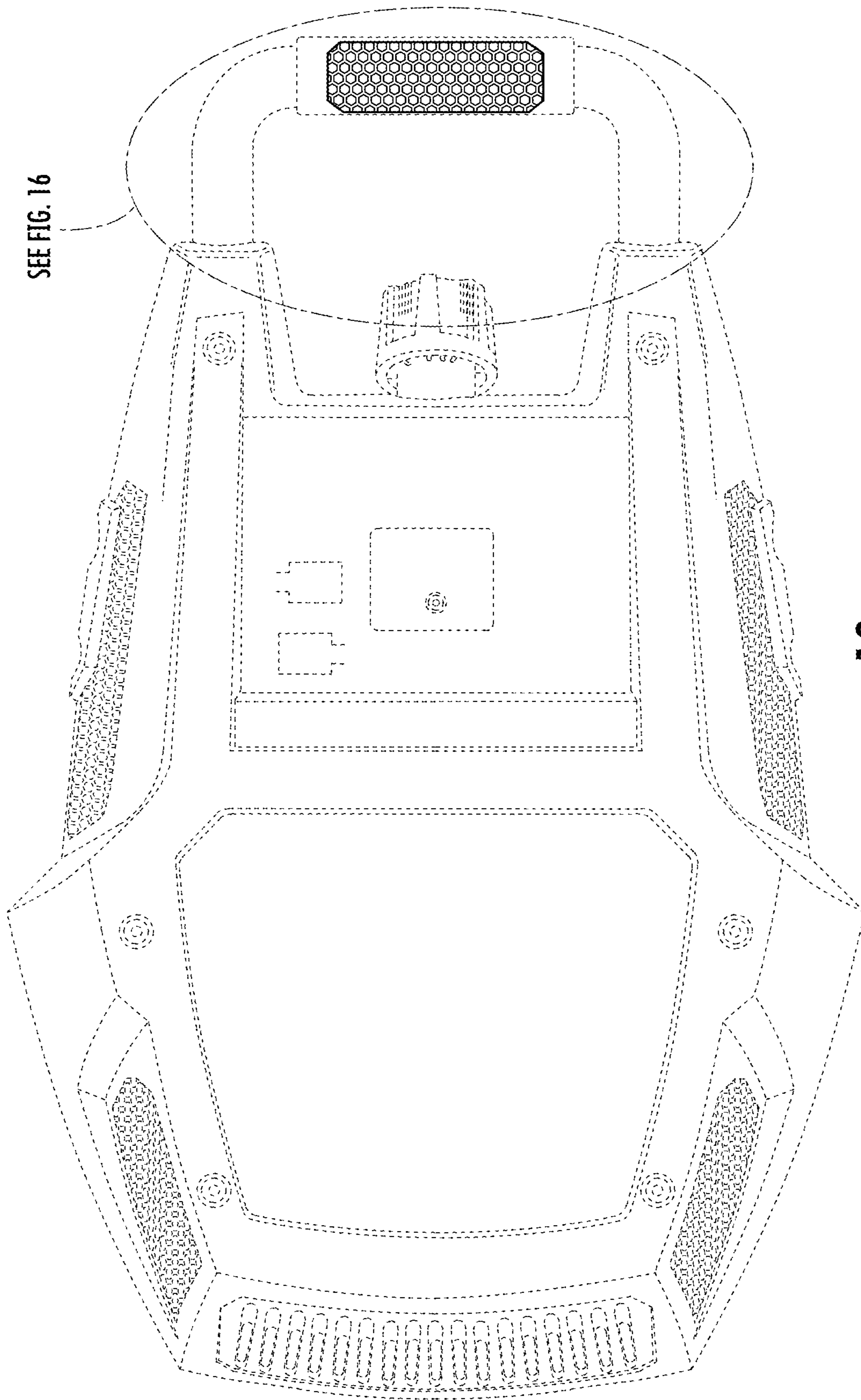


FIG. 9



SEE FIG. 16

FIG. 10



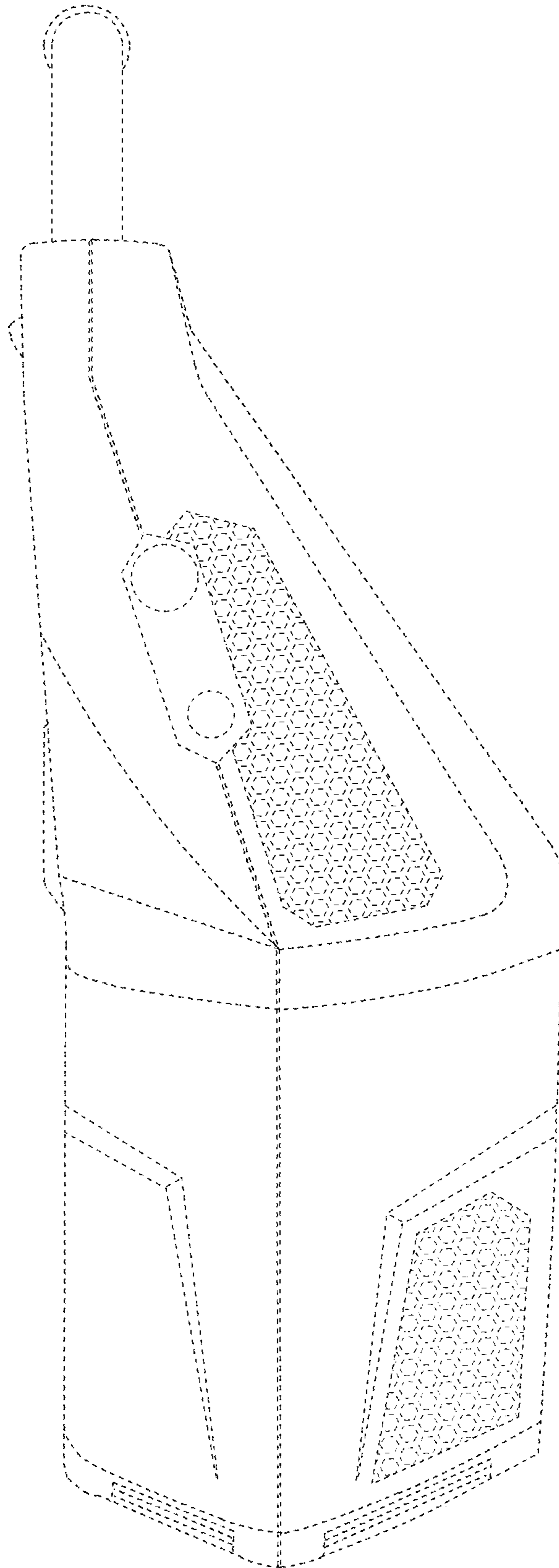


FIG. 11

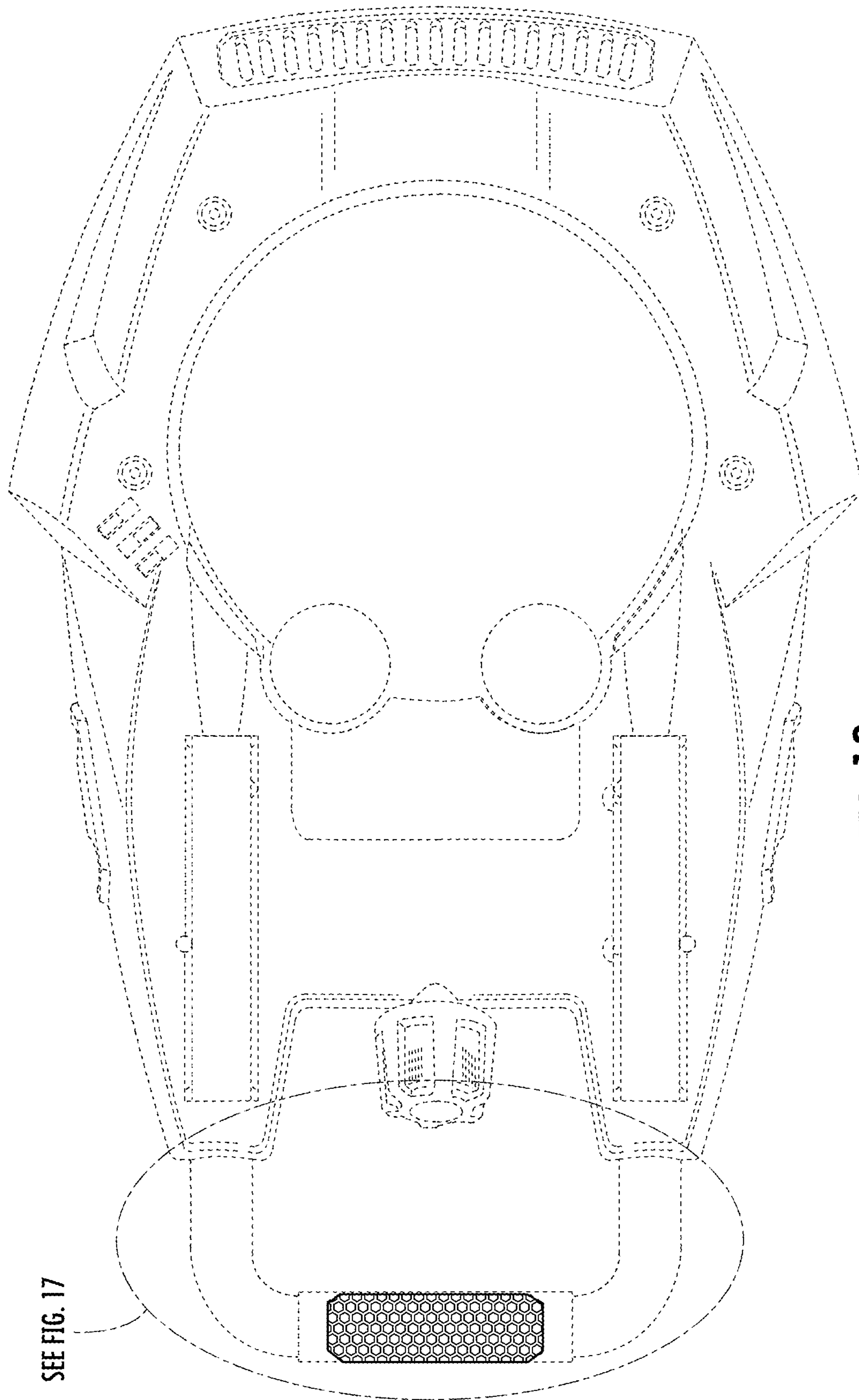


FIG. 12

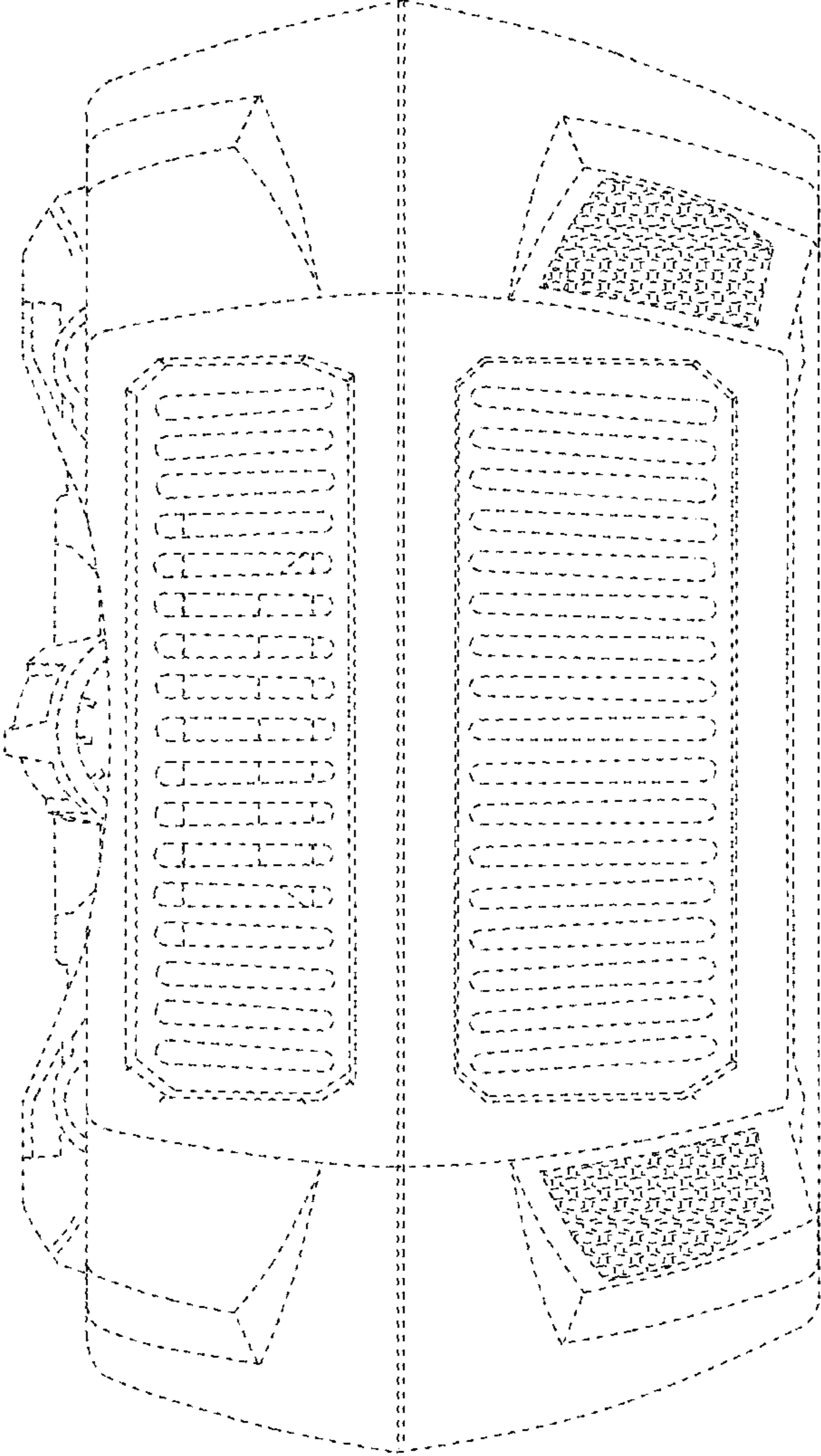


FIG. 13



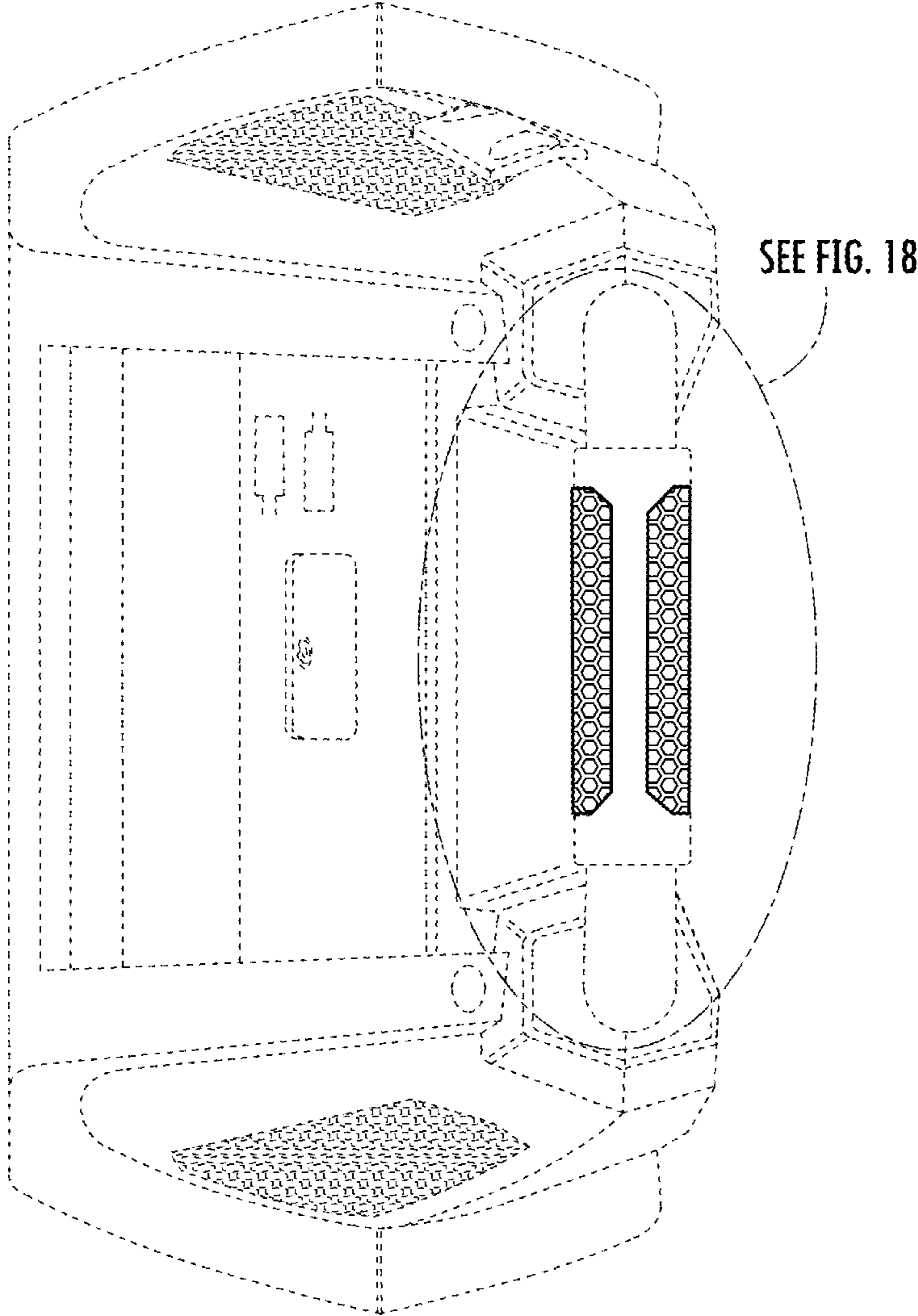


FIG. 14

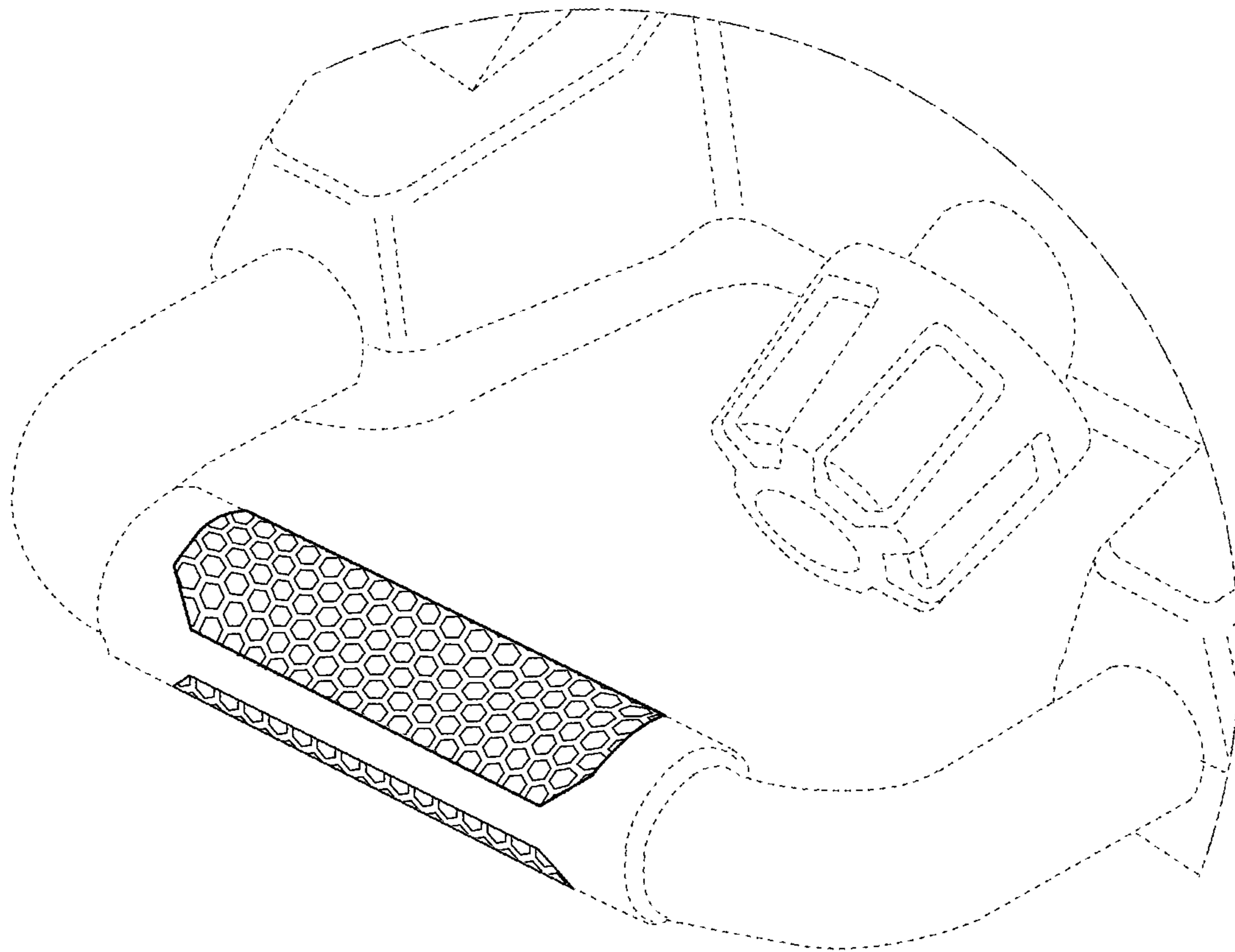


FIG. 15

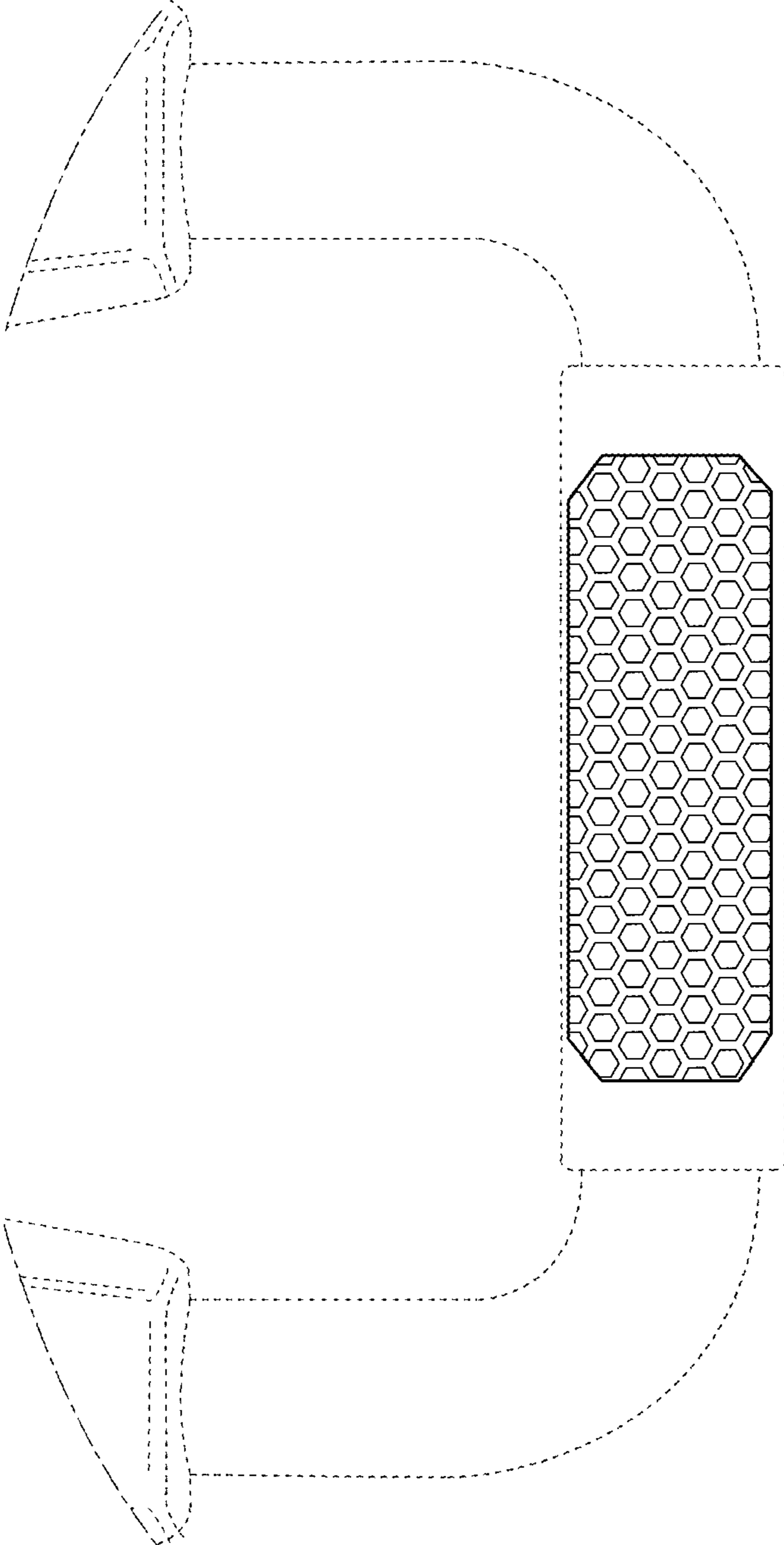


FIG. 16



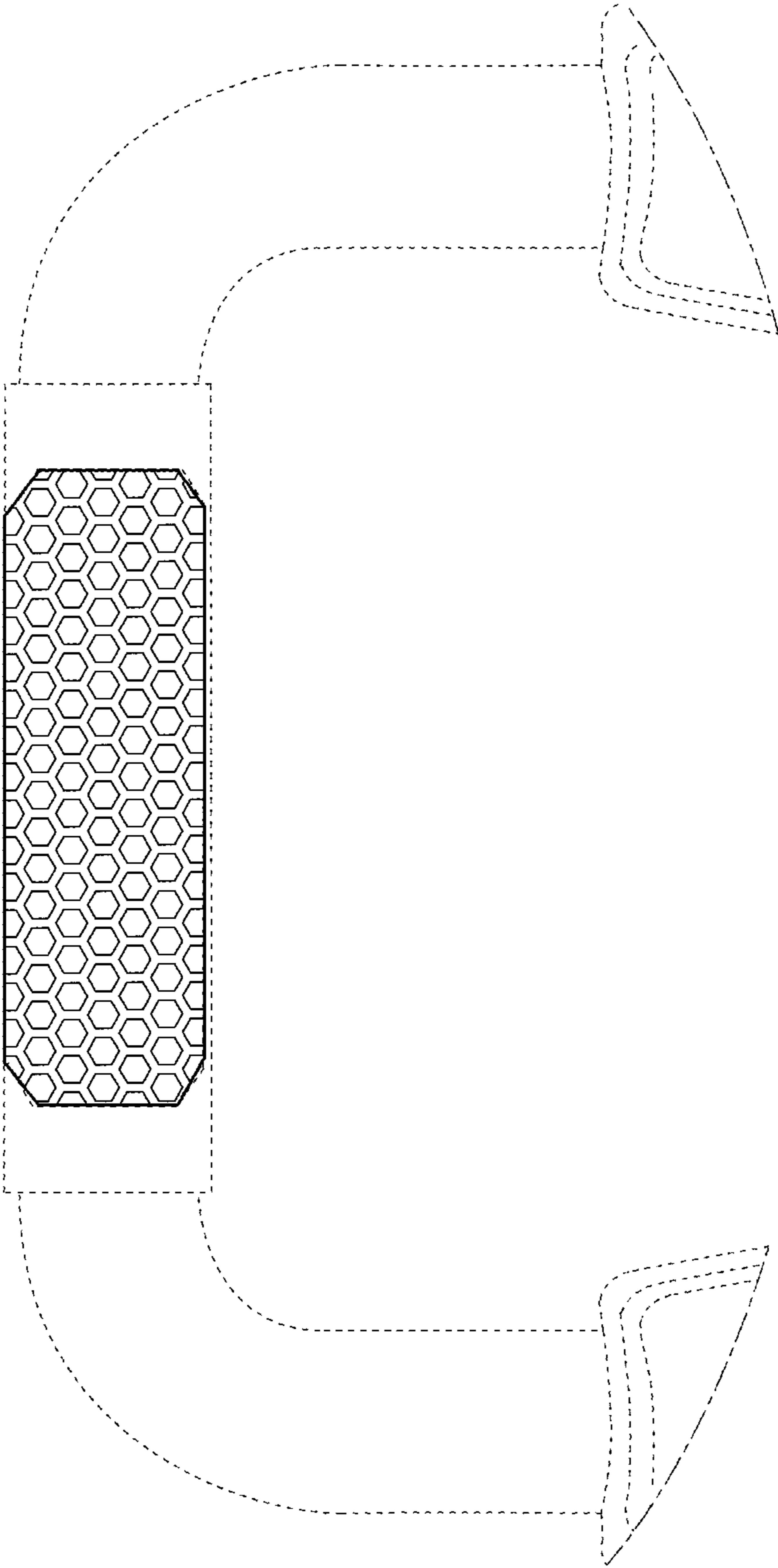


FIG. 17

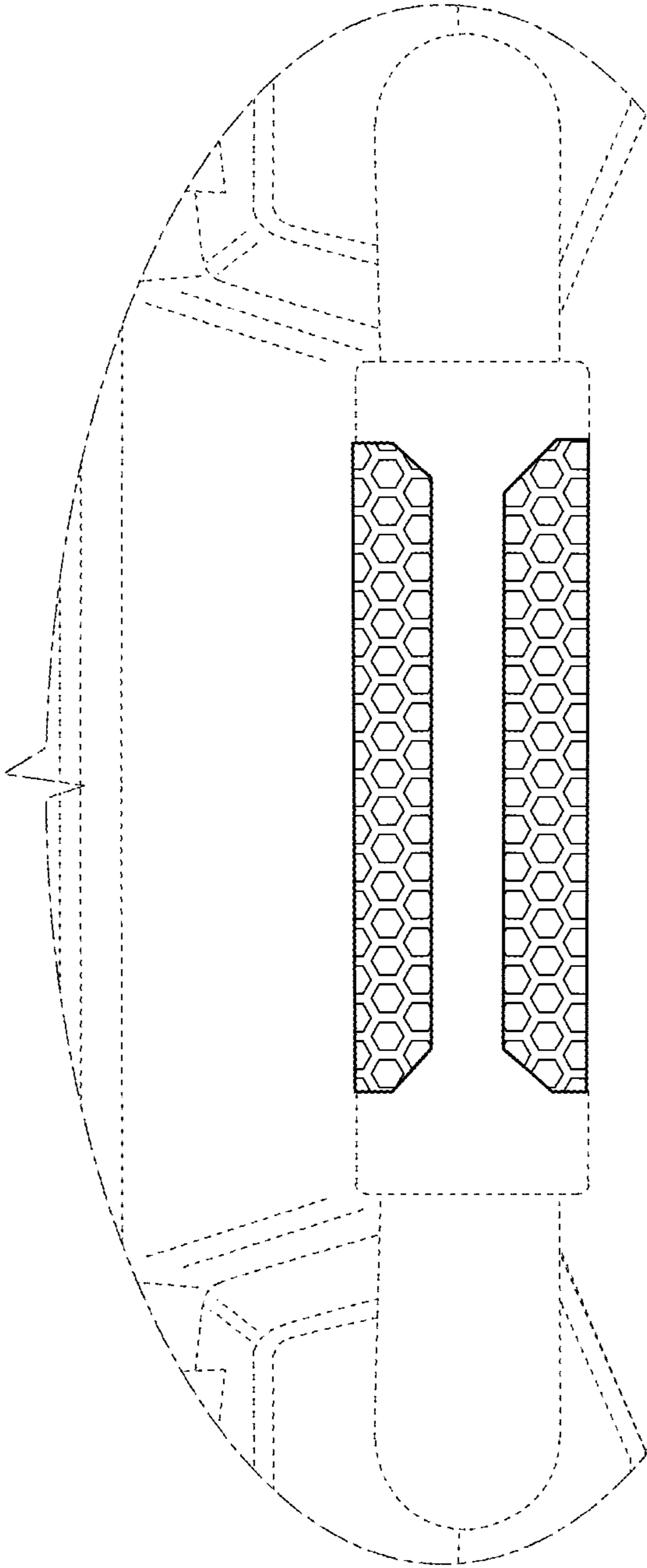


FIG. 18