



US0D1048725S

(12) **United States Design Patent** (10) **Patent No.:** **US D1,048,725 S**
An et al. (45) **Date of Patent:** **** Oct. 29, 2024**

(54) **BRUSH HEAD** 3,574,885 A * 4/1971 Jones A46B 15/0053
15/375

(71) Applicants: **QINGDAO HAIER INNOVATION TECHNOLOGY CO., LTD.**, Shandong (CN); **HAIER SMART HOME CO., LTD.**, Shandong (CN) (Continued)

(72) Inventors: **Hui An**, Shandong (CN); **Zhaojun Fei**, Shandong (CN); **Shu Zhou**, Shandong (CN); **Zhiqun Feng**, Shandong (CN); **Zuwei Yi**, Shandong (CN); **Fei Qin**, Shandong (CN)

(73) Assignees: **QINGDAO HAIER INNOVATION TECHNOLOGY CO., LTD.**, Qingdao (CN); **HAIER SMART HOME CO., LTD.**, Qingdao (CN)

(**) Term: **15 Years**

(21) Appl. No.: **29/829,251**

(22) Filed: **Mar. 3, 2022**

(51) **LOC (14) Cl.** **04-02**

(52) **U.S. Cl.**
USPC **D4/127**; D24/215; D30/158

(58) **Field of Classification Search**
USPC D4/100, 102, 114, 116, 130, 132, 134, D4/138, 199, 127; D24/200, 214, 215; D30/158, 159; D32/1, 17, 18, 19, 20, 25, D32/31, 32, 33, 35
CPC A01K 13/00; A01K 13/001; A01K 13/002; A01K 13/003; A46B 3/00; A46B 3/02; A46B 3/08; A46B 5/00; A46B 5/02; A46B 5/021; A46B 5/023; A46B 5/025; A46B 5/026; A46B 5/027; A46B 7/00; A46B

(Continued)

(56) **References Cited**

U.S. PATENT DOCUMENTS

2,594,189 A * 4/1952 MacFarland A47L 9/0673
15/400

FOREIGN PATENT DOCUMENTS

CN 307103341 * 2/2022
CN 307228927 * 4/2022

OTHER PUBLICATIONS

Yitahome Dog Grooming Kit, posted Sep. 6, 2023 [online], [retrieved Feb. 27, 2024]. Retrieved from internet, <https://www.amazon.com/dp/B0CHFPRVH7/?th=1> (Year: 2023).*

(Continued)

Primary Examiner — Alison M Ofstun

Assistant Examiner — Evin F Ershock

(74) *Attorney, Agent, or Firm* — Westbridge IP LLC

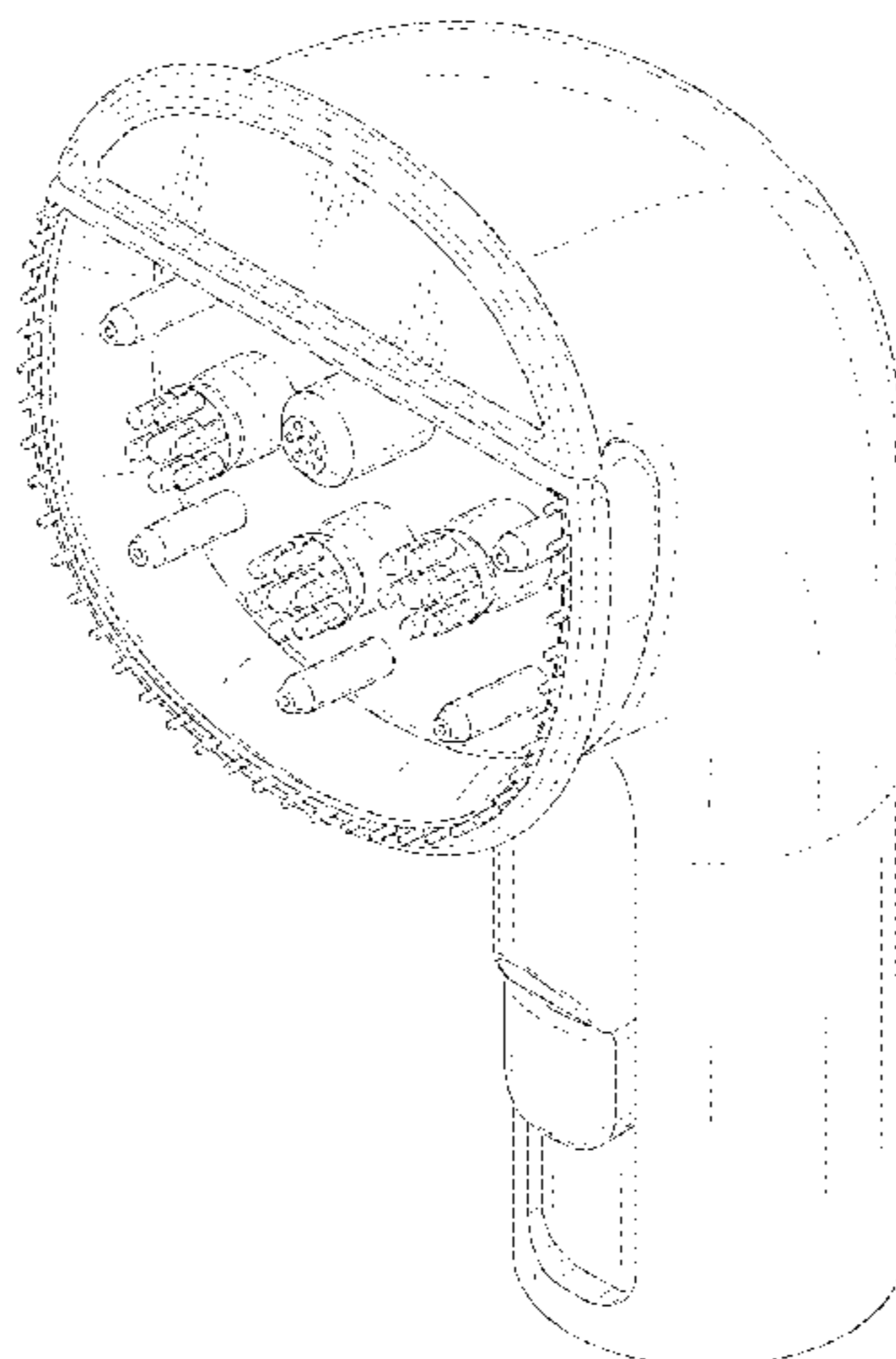
(57) **CLAIM**

The ornamental design for a brush head, as shown and described.

DESCRIPTION

FIG. 1 is a front-left-top elevational view of a brush head, according to our new design;
FIG. 2 is a rear-right-top perspective view thereof;
FIG. 3 is a bottom-right-front perspective view thereof;
FIG. 4 is a front view thereof;
FIG. 5 is a rear view thereof;
FIG. 6 is a right-side view thereof;
FIG. 7 is a left-side view thereof;
FIG. 8 is a top view thereof;
FIG. 9 is a bottom view thereof; and,
FIG. 10 is an enlarged view of portion "10" in FIG. 4.
The broken lines in the figures illustrate portions of the brush head, and form no part of the claimed design. The dot-dash broken lines seen in FIGS. 4 and 10 are for the purpose of enlarged view indicators, and form no part of the claimed design.

1 Claim, 10 Drawing Sheets



(58) **Field of Classification Search**

CPC . 7/04; A46B 7/042; A46B 7/044; A46B 9/00;
A46B 9/02; A46B 9/023; A46B 11/00;
A46B 11/0006; A46B 11/001; A46B
11/0082; A46B 11/06; A46B 11/063;
A46B 11/08; A46B 13/00; A46B 13/02;
A46B 15/00; A46B 15/0002; A46B
15/003; A46B 15/0053; A46B 15/0075;
A46B 2200/00; A46B 2200/10; A46B
2200/1086; A46B 2200/1093; A46B
2200/30; A46B 2200/3033; A46B
2200/3053; A47L 9/06; A47L 9/0673

See application file for complete search history.

6,367,421 B1 * 4/2002 Deacon A01K 13/002
119/603
D576,363 S * 9/2008 Reiner D32/17
D592,365 S * 5/2009 Massip D32/17
D595,461 S * 6/2009 Massip D32/17
D595,964 S * 7/2009 Choi D4/114
D622,457 S * 8/2010 Choi D32/17
D670,454 S * 11/2012 Sherk, Jr. D30/158
D703,879 S * 4/2014 Green D32/33
D852,443 S * 6/2019 Martin D32/33
D961,866 S * 8/2022 Bae D32/17
D997,468 S * 8/2023 Wang D30/158

OTHER PUBLICATIONS

(56)

References Cited

U.S. PATENT DOCUMENTS

D357,810 S * 5/1995 Evans D4/114
D389,618 S * 1/1998 Rosen D32/33

Office action from Chinese Application No. 202130114143.6 dated
Aug. 31, 2021.

* cited by examiner

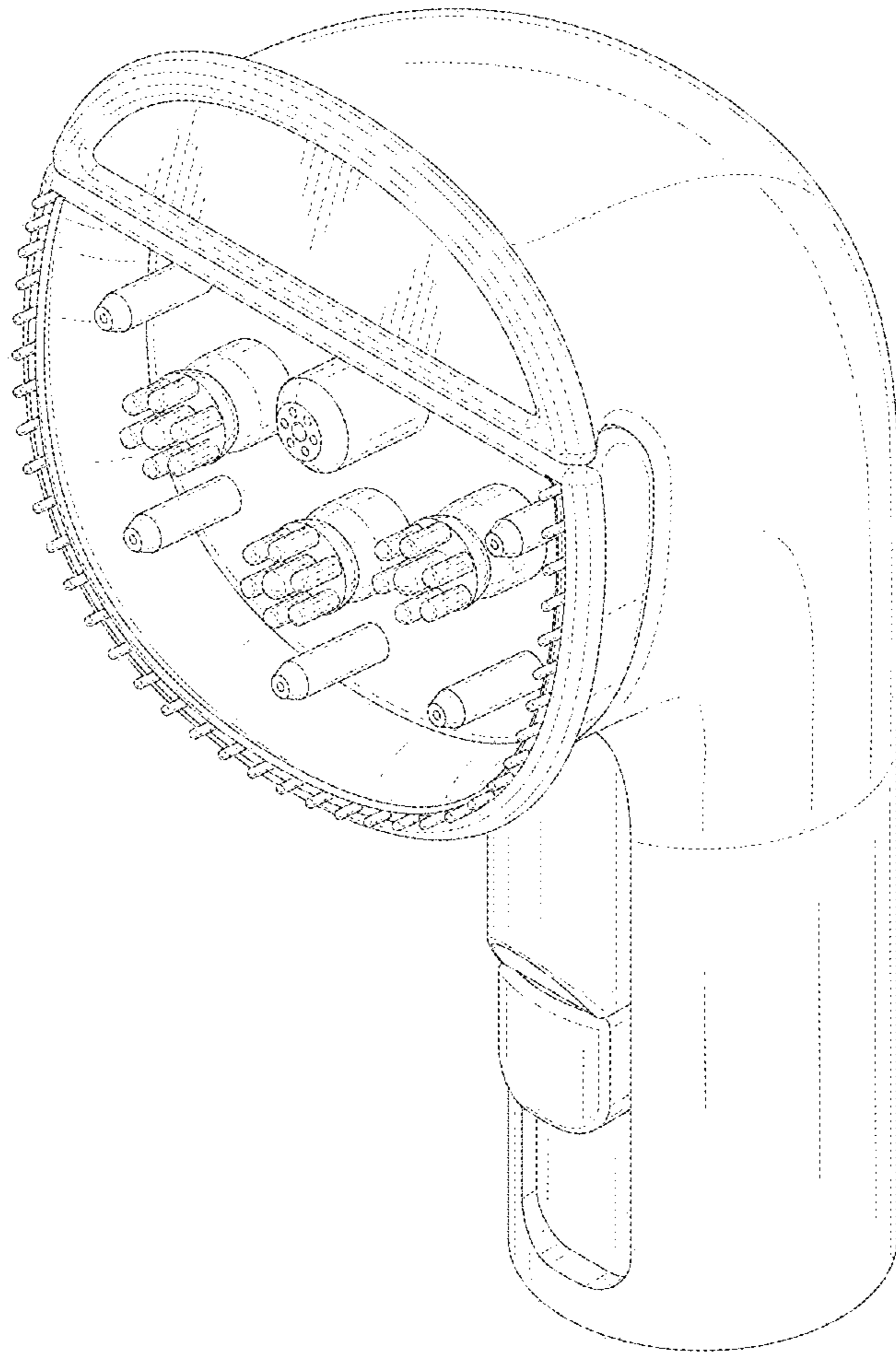


FIG. 1

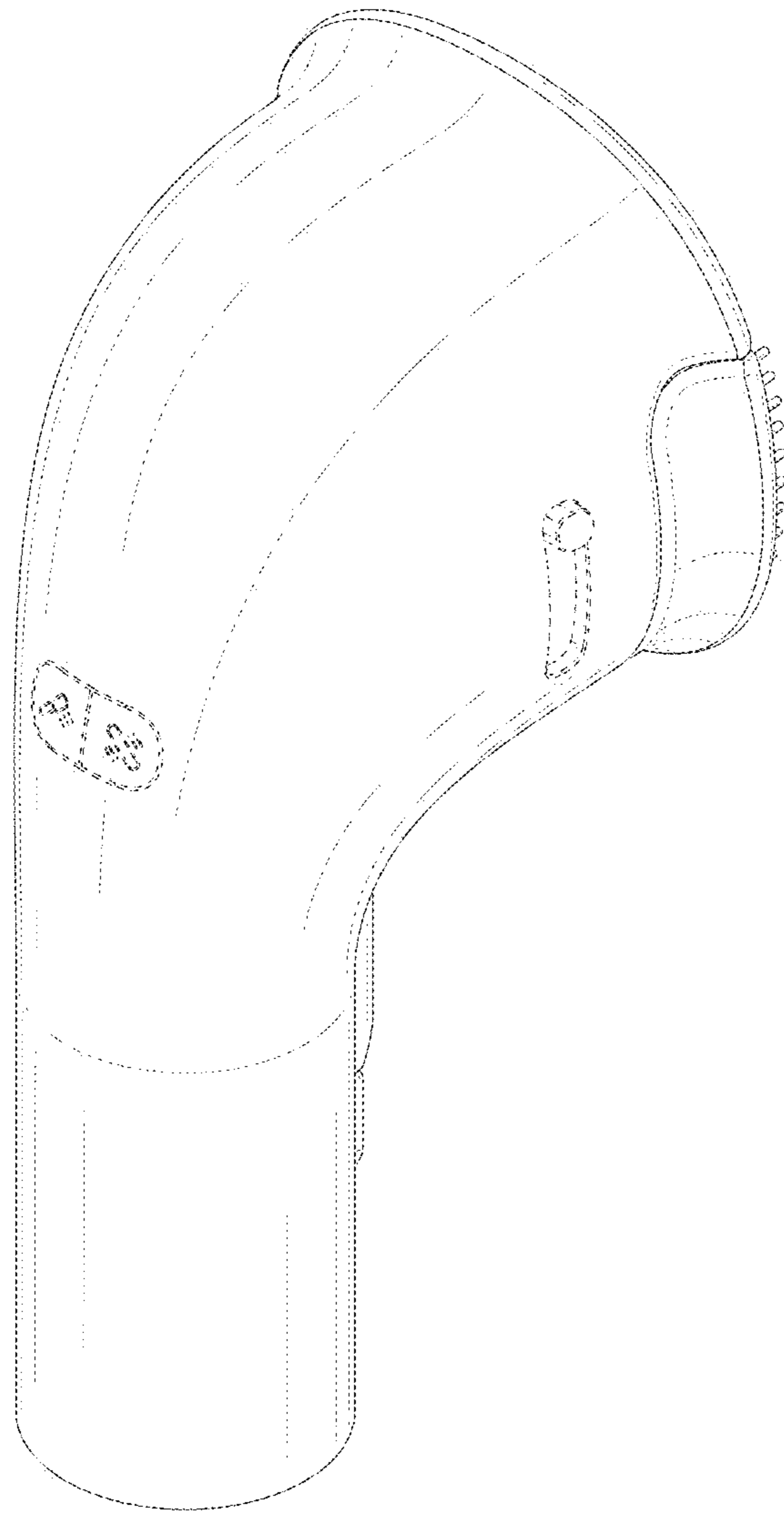


FIG. 2

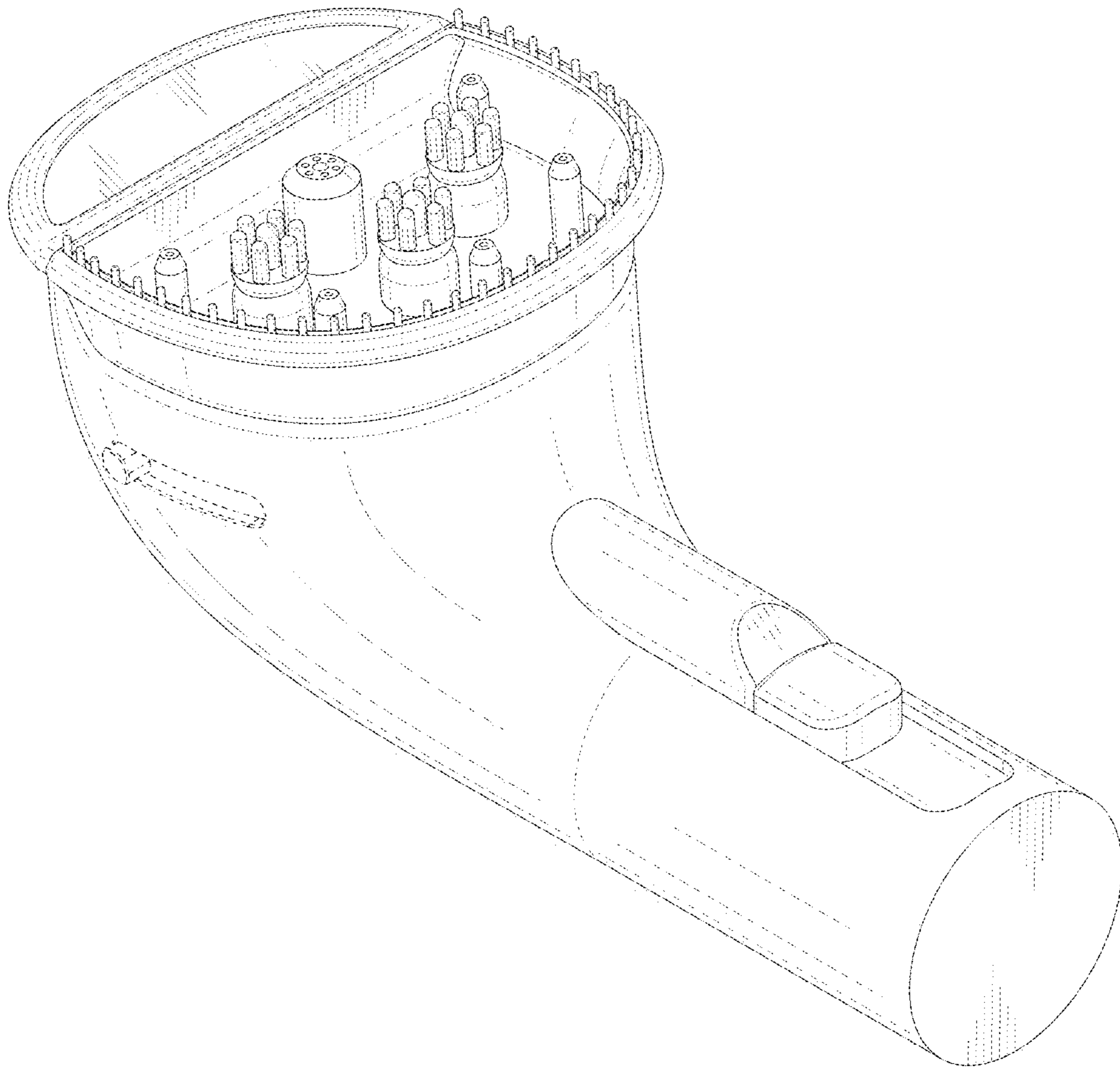


FIG. 3

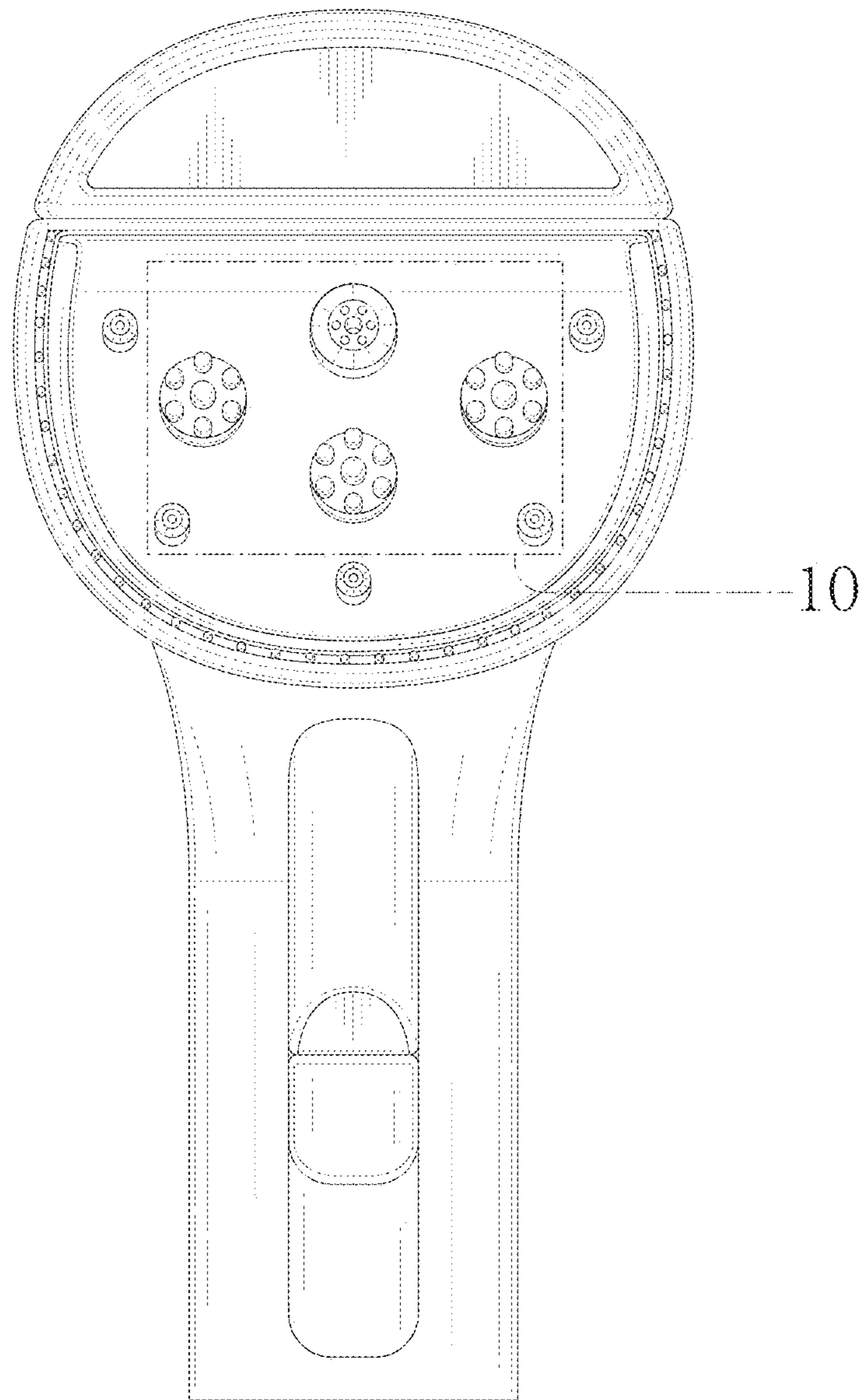


FIG. 4

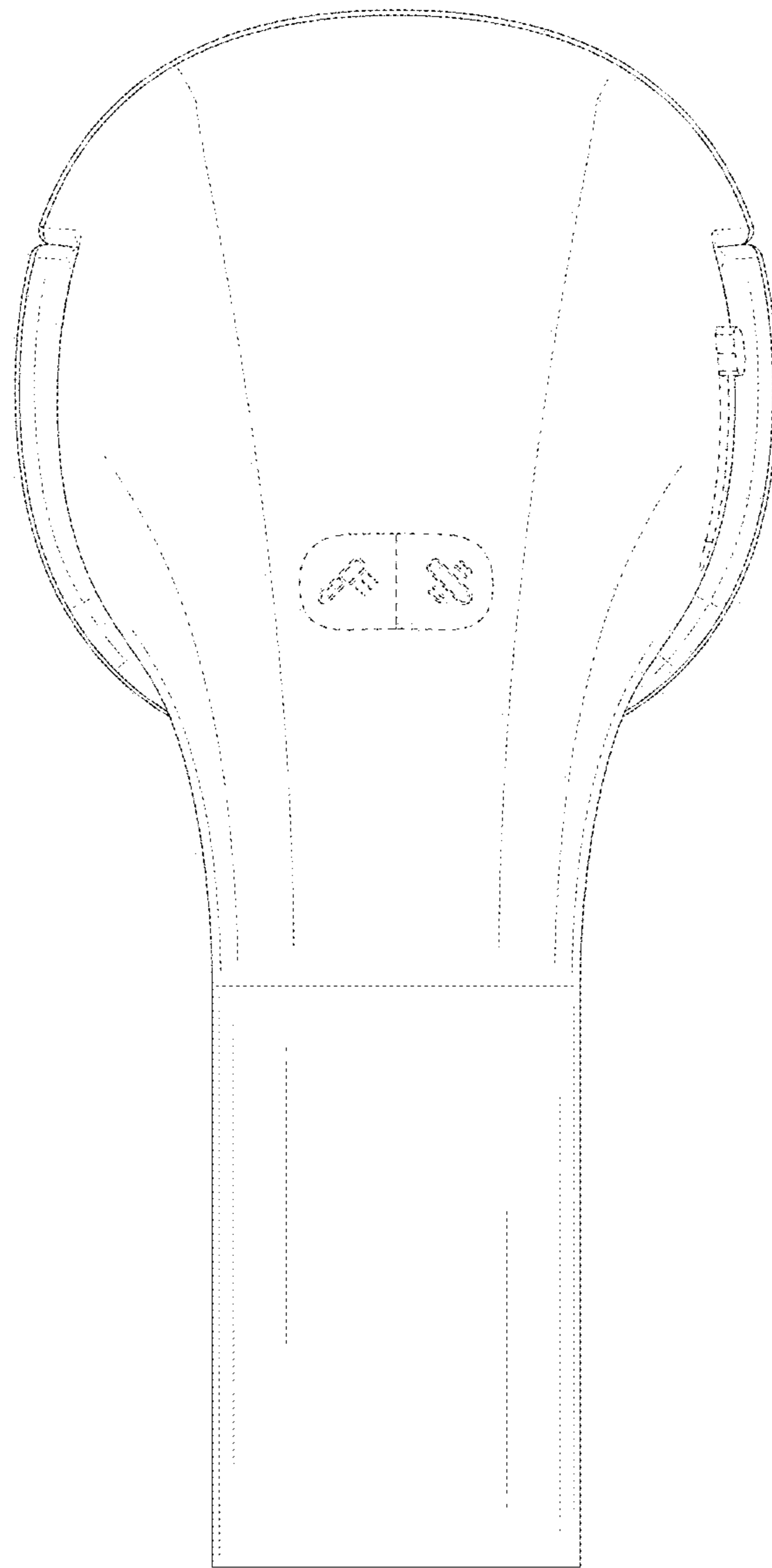


FIG. 5

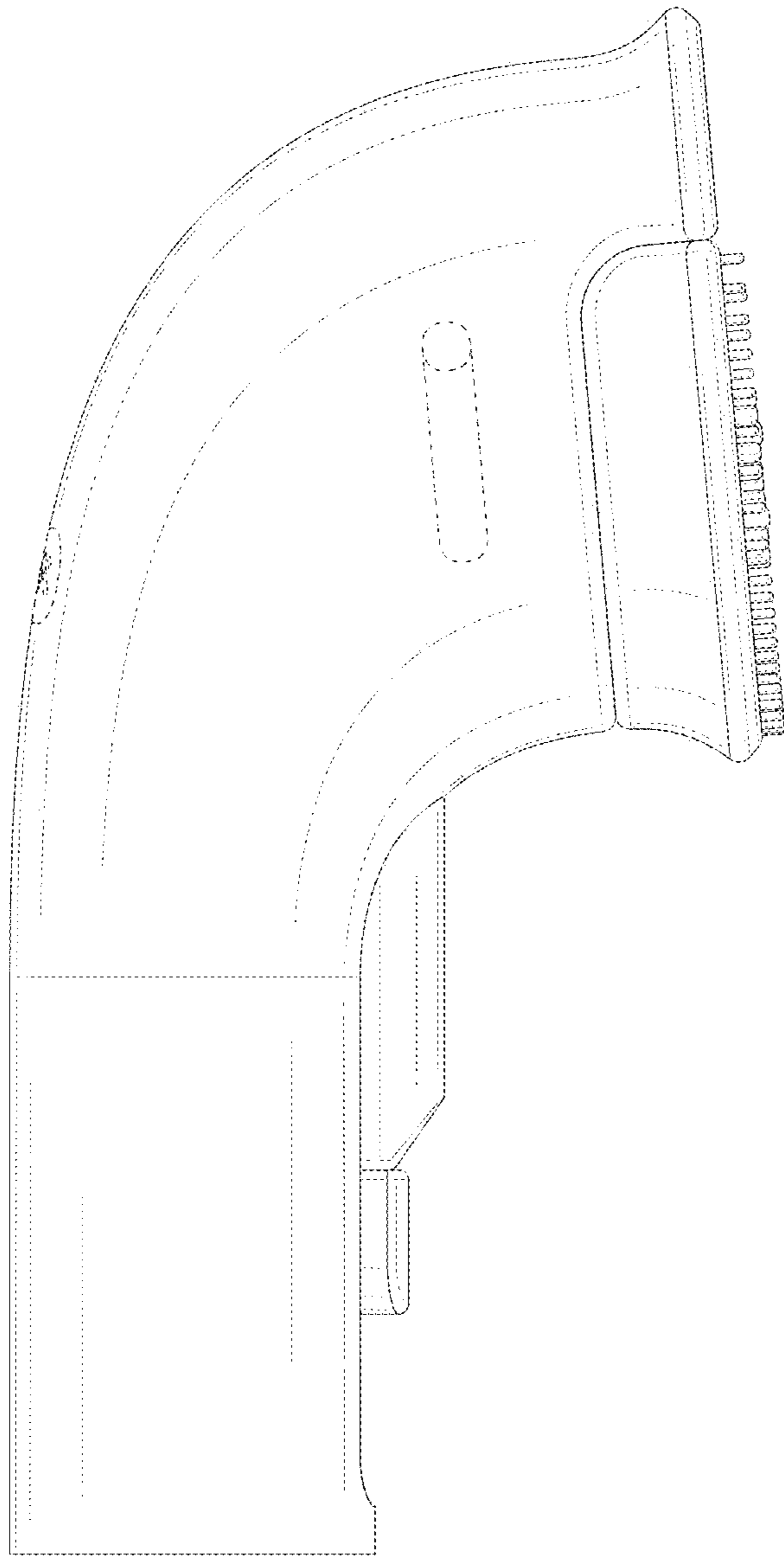


FIG. 6

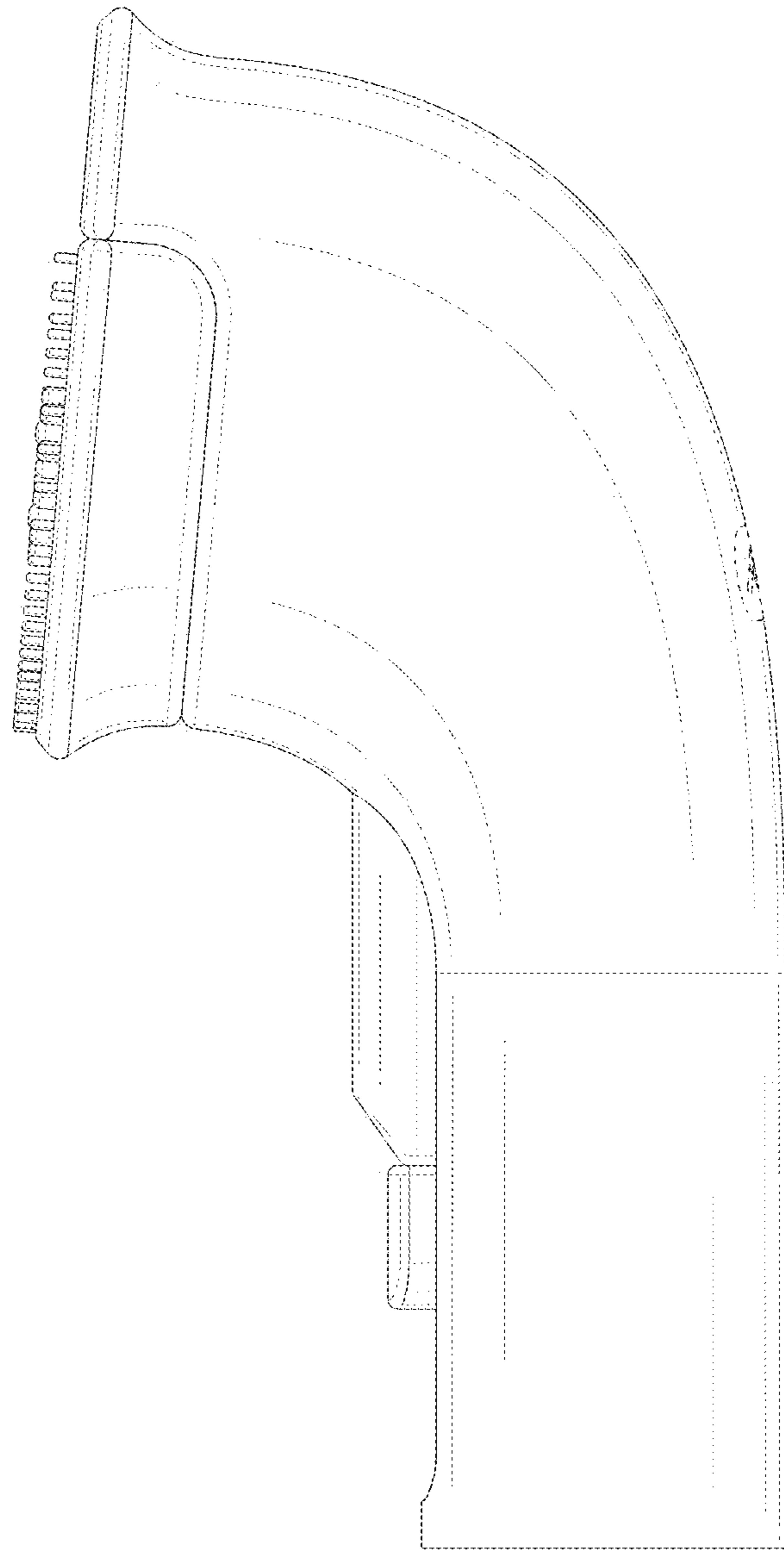


FIG. 7

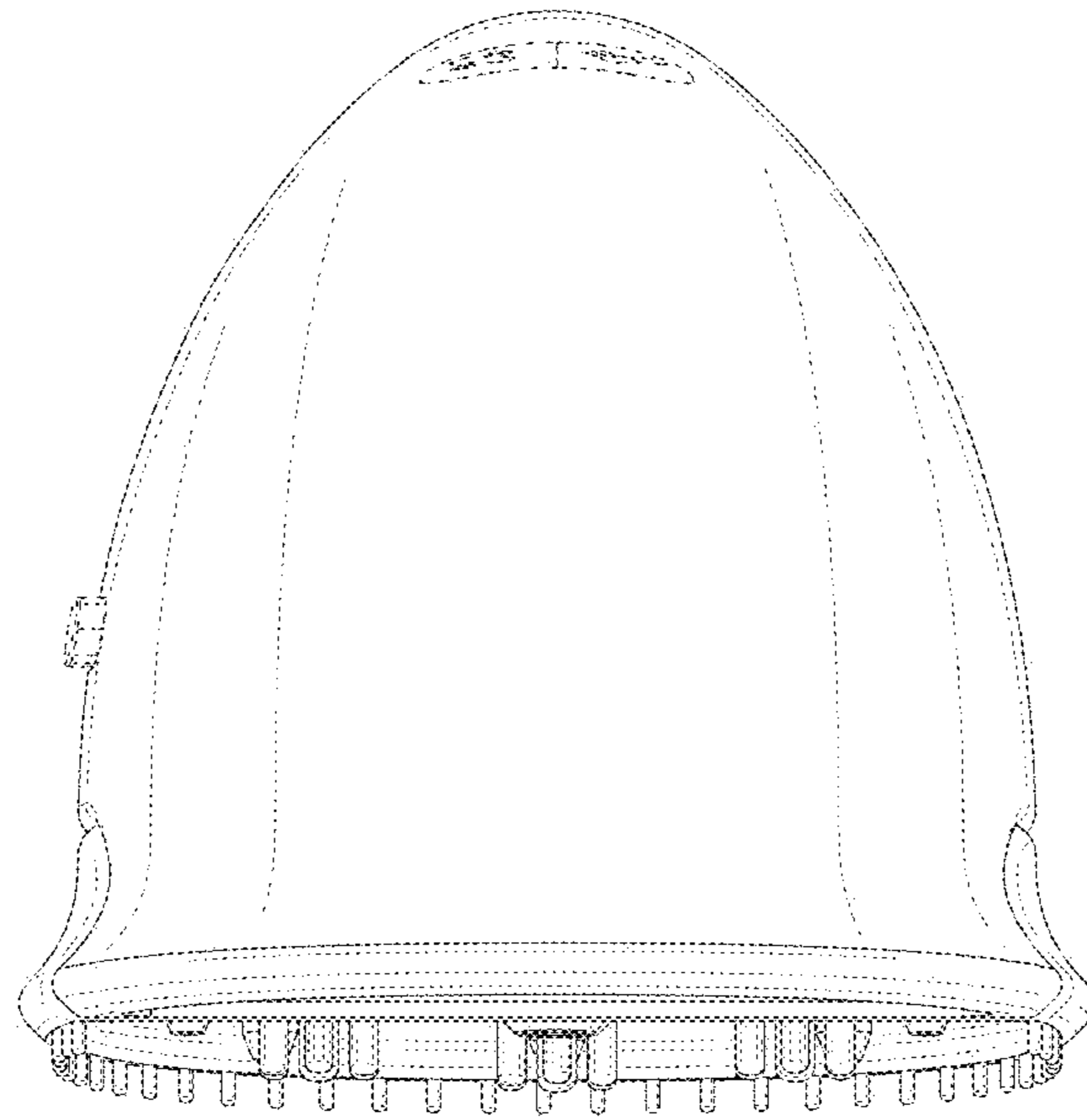


FIG. 8

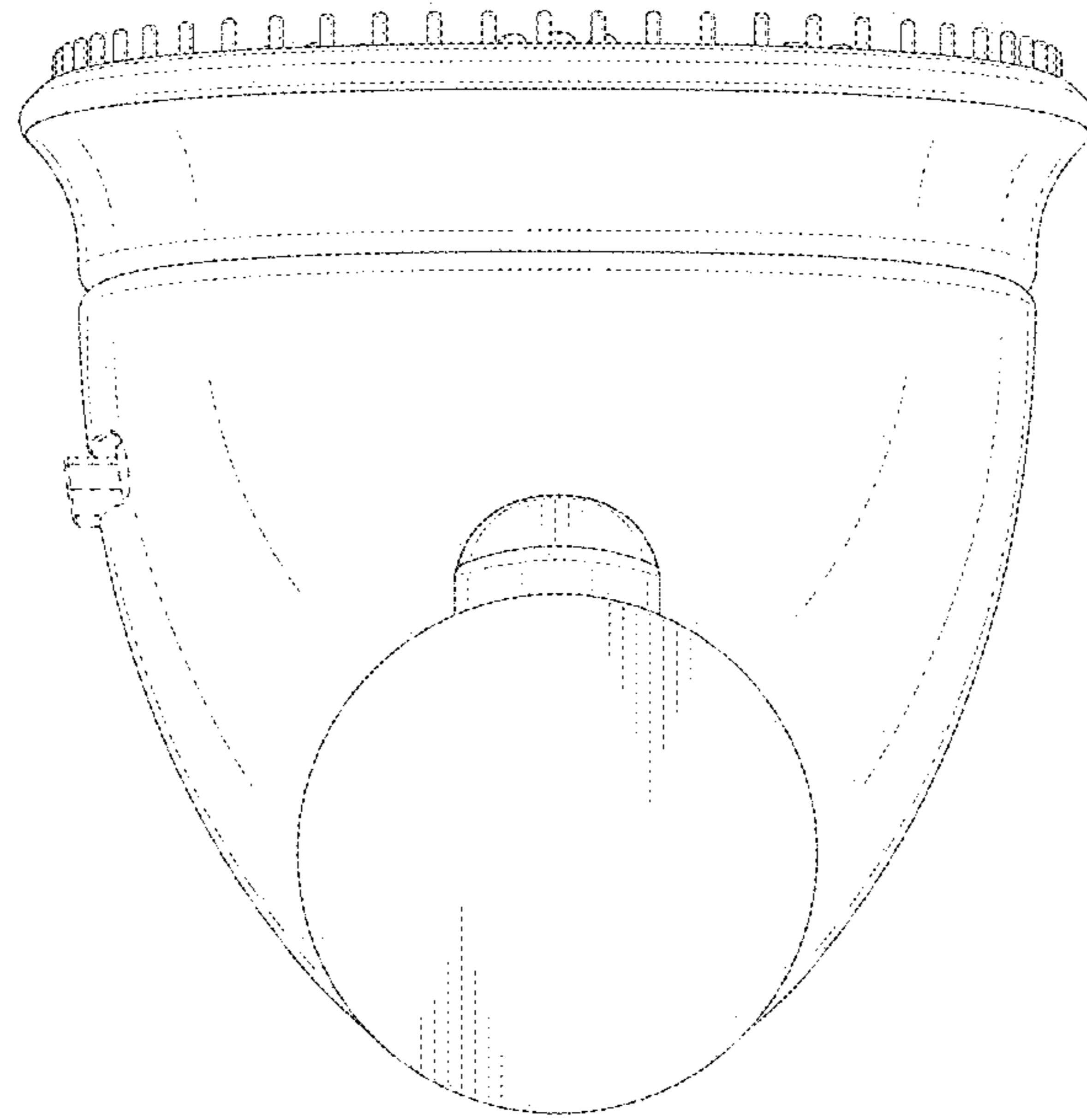


FIG. 9

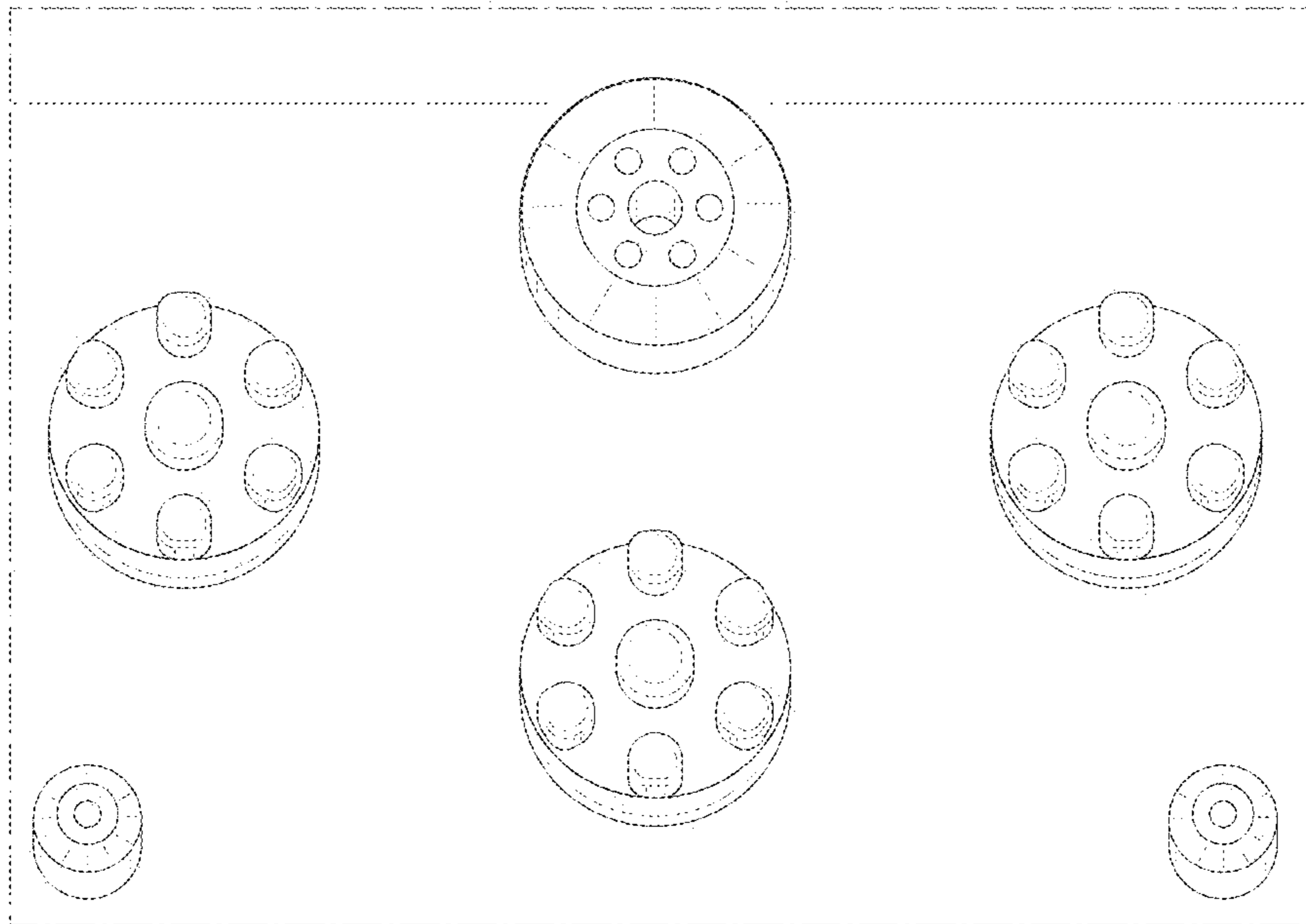


FIG. 10