



US0D1048608S

(12) **United States Design Patent** (10) **Patent No.: US D1,048,608 S**
Chu (45) **Date of Patent: ** Oct. 22, 2024**

(54) **HIGH PRESSURE CLEANING APPARATUS**

D661,438 S * 6/2012 Alexander D32/15
D696,824 S 12/2013 Dammkoehler
D711,603 S * 8/2014 Alenxander D32/16

(71) Applicant: **Zhongyuan Chu**, Qiqihar (CN)

(Continued)

(72) Inventor: **Zhongyuan Chu**, Qiqihar (CN)

(**) Term: **15 Years**

(21) Appl. No.: **29/928,495**

(22) Filed: **Feb. 13, 2024**

(51) **LOC (14) Cl.** **15-05**

(52) **U.S. Cl.**
USPC **D32/15**

(58) **Field of Classification Search**
USPC D15/7, 9; D23/213, 223, 224, 226;
D32/1, 15, 16
CPC B05B 9/0426; B08B 3/02; B08B 3/026;
B08B 3/028

See application file for complete search history.

(56) **References Cited**

U.S. PATENT DOCUMENTS

| | | | |
|--------------|---------|-----------|--------|
| D100,354 S | 7/1936 | Sternberg | |
| D488,596 S * | 4/2004 | Cattaneo | D32/15 |
| D489,497 S * | 5/2004 | Cattaneo | D32/15 |
| D489,498 S * | 5/2004 | Cattaneo | D32/15 |
| D490,948 S * | 6/2004 | Cattaneo | D32/15 |
| D519,693 S * | 4/2006 | Ricker | D32/15 |
| D520,687 S * | 5/2006 | Ricker | D32/15 |
| D521,694 S * | 5/2006 | Ricker | D32/15 |
| D528,714 S * | 9/2006 | Hong | D32/15 |
| D568,557 S * | 5/2008 | Alexander | D32/15 |
| D646,853 S * | 10/2011 | Alexander | D32/15 |
| D647,256 S * | 10/2011 | Alexander | D32/15 |
| D647,257 S * | 10/2011 | Alexander | D32/15 |
| D647,258 S * | 10/2011 | Alexander | D32/15 |
| D647,672 S * | 10/2011 | Alexander | D32/15 |
| D648,081 S * | 11/2011 | Alexander | D32/15 |
| D648,493 S * | 11/2011 | Alexander | D32/15 |
| D649,308 S * | 11/2011 | Alexander | D32/15 |
| D660,525 S * | 5/2012 | Alexander | D32/15 |

OTHER PUBLICATIONS

Electric Pressure Washer, posted Jan. 19, 2015 [online], [retrieved Aug. 2, 2024]. Retrieved from internet, <https://www.amazon.com/Sun-Joe-SPX3000-Pressure-14-5-Amp/dp/B00CPGMUXW> (Year: 2015).*

(Continued)

Primary Examiner — Khawaja Anwar
Assistant Examiner — Taylor O Mortorff
(74) *Attorney, Agent, or Firm* — Jose Cherson Weissbrot

(57) **CLAIM**

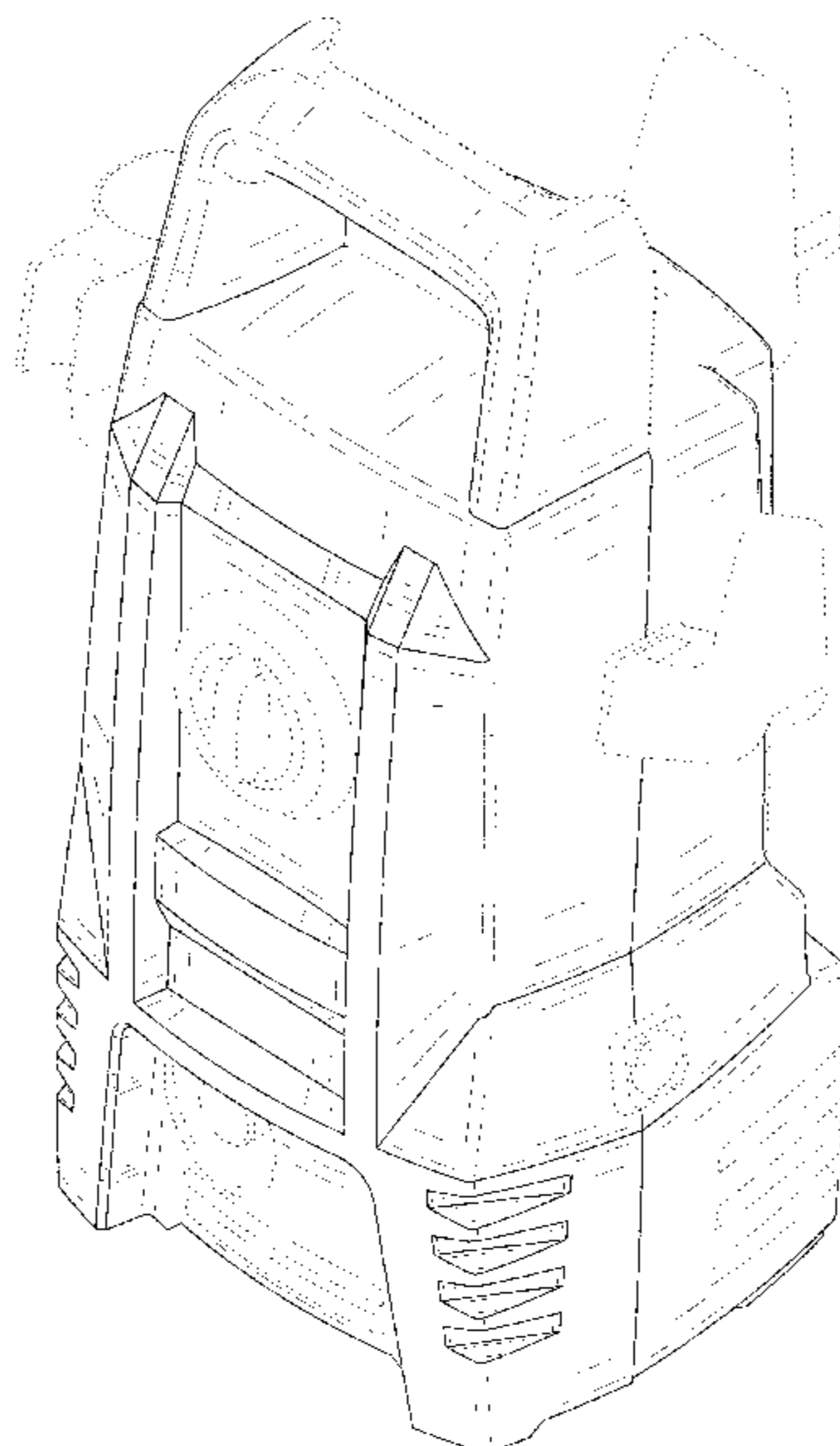
The ornamental design for a high pressure cleaning apparatus, as shown and described.

DESCRIPTION

FIG. 1 is a front, right, top perspective view of a high pressure cleaning apparatus, showing my new design; FIG. 2 is a rear, light, bottom perspective view thereof; FIG. 3 is a front elevational view thereof; FIG. 4 is a rear elevational view thereof; FIG. 5 is a left side view thereof; FIG. 6 is a right side view thereof; FIG. 7 is a top elevational view thereof; FIG. 8 is a bottom elevational view thereof; FIG. 9 is an enlarged view of detail 9 in FIG. 3; FIG. 10 is an enlarged view of detail 10 in FIG. 4; FIG. 11 is an enlarged view of detail 11 in FIG. 5; FIG. 12 is an enlarged view of detail 12 in FIG. 8. The dashed broken lines in the figures illustrate portions of the high pressure cleaning apparatus that form no part of the claimed design.

The dash-dot-dash broken lines are for notating enlarged views and form no part of the claimed design.

1 Claim, 12 Drawing Sheets



(56)

References Cited

U.S. PATENT DOCUMENTS

D728,872 S * 5/2015 Alexander D32/15
D739,099 S * 9/2015 Tatic D32/15
D743,643 S * 11/2015 Casey D32/15
D918,499 S * 5/2021 Xu D32/15
D931,560 S * 9/2021 Xu D32/16
D932,120 S * 9/2021 Xu D32/15
D932,717 S * 10/2021 Xu D32/15
D984,765 S 4/2023 Shao
D992,224 S 7/2023 Yang
D992,225 S 7/2023 Yang
2005/0189437 A1* 9/2005 Alexander B08B 3/026
239/332
2008/0245425 A1* 10/2008 Alexander B08B 3/026
137/565.13
2021/0170453 A1* 6/2021 Kohler Fernandez .. F04B 17/06

OTHER PUBLICATIONS

Pressure Washer, posted Jun. 17, 2022 [online], [retrieved Aug. 2, 2024]. Retrieved from internet, <https://www.amazon.com/Greenworks-Pressure-Washer-Upright-Hand-Carry/dp/B09LC66PLP> (Year: 2022).*

* cited by examiner

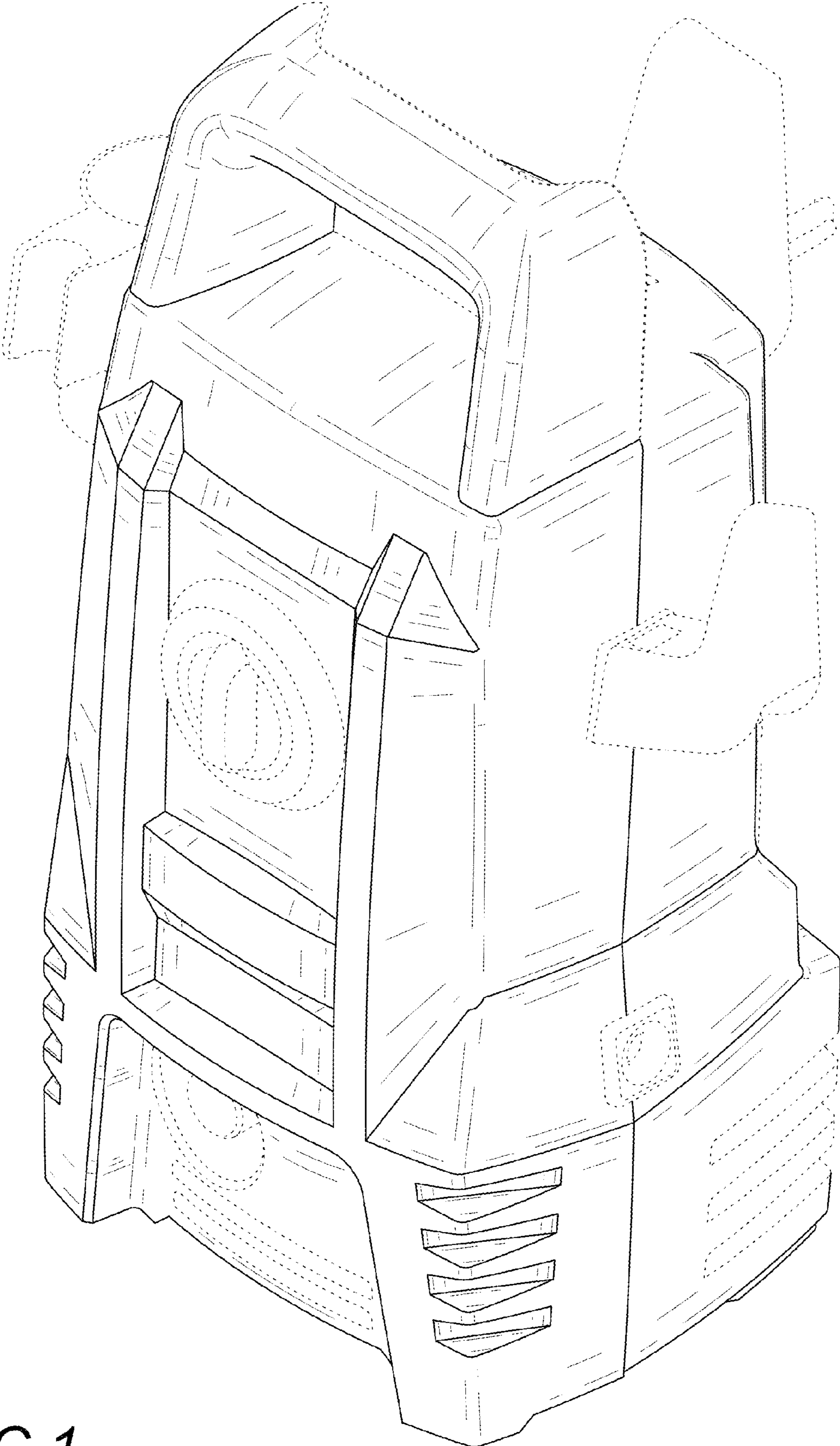


FIG. 1

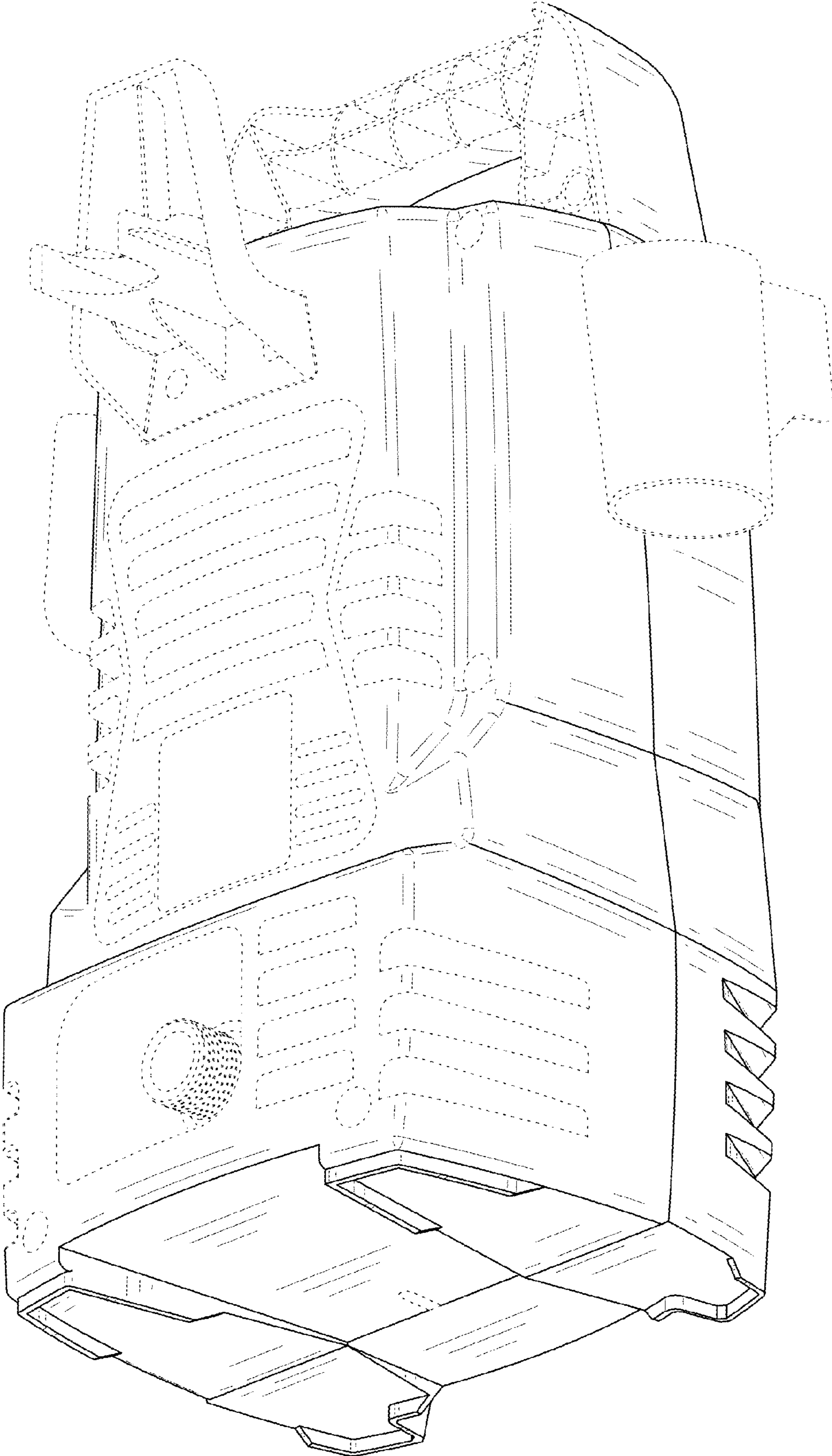


FIG.2

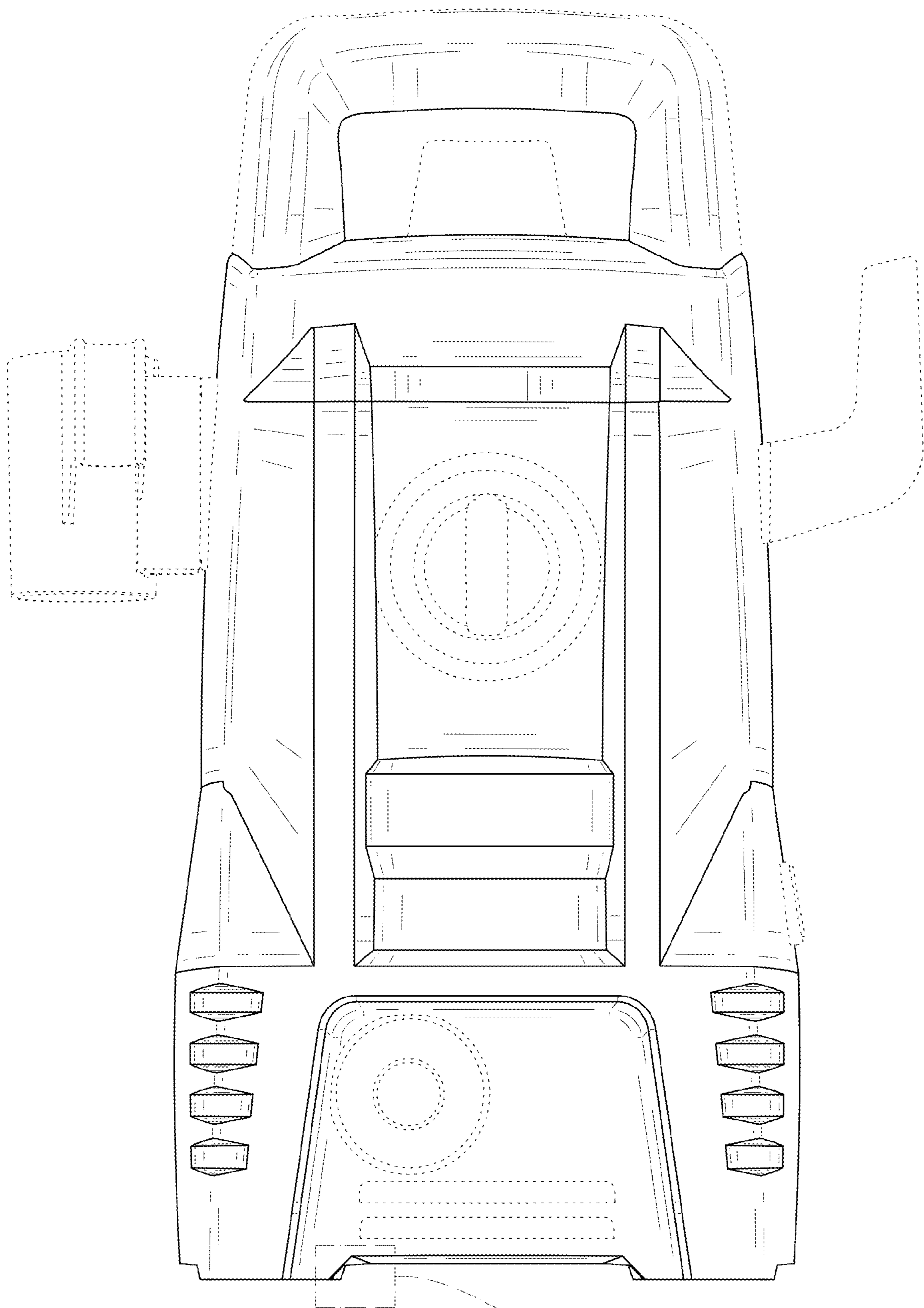


FIG.3

9

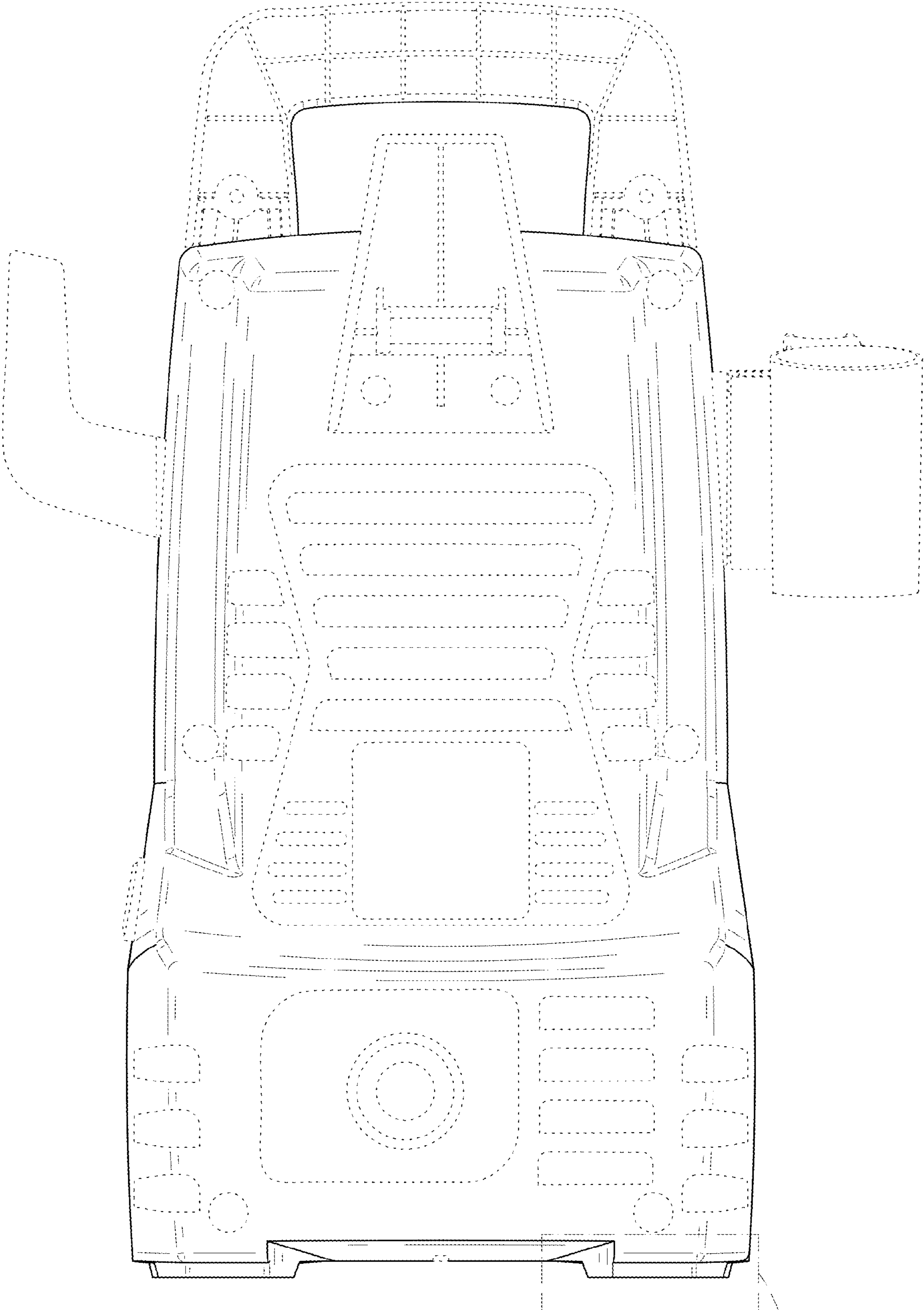


FIG. 4

10

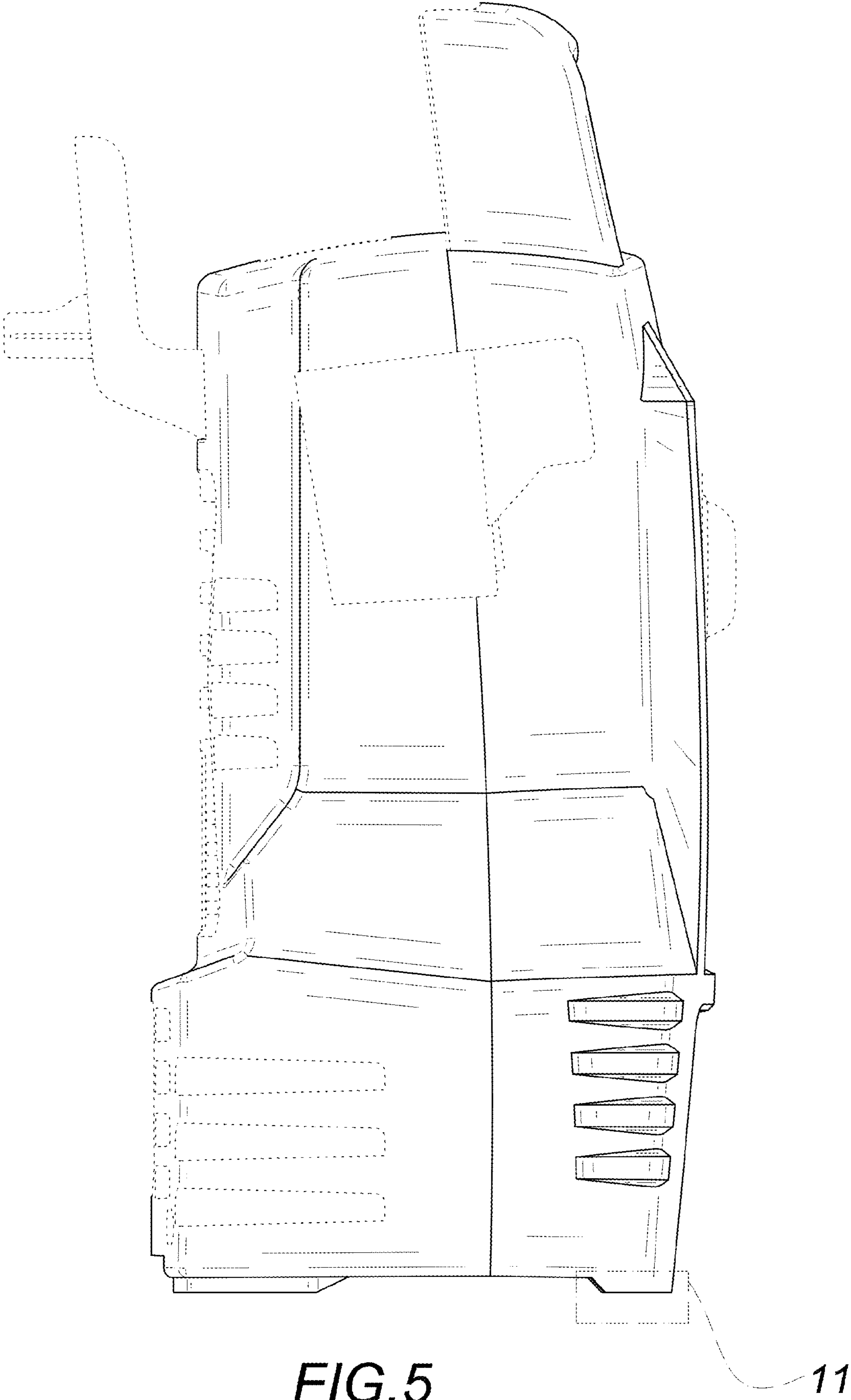


FIG. 5

11

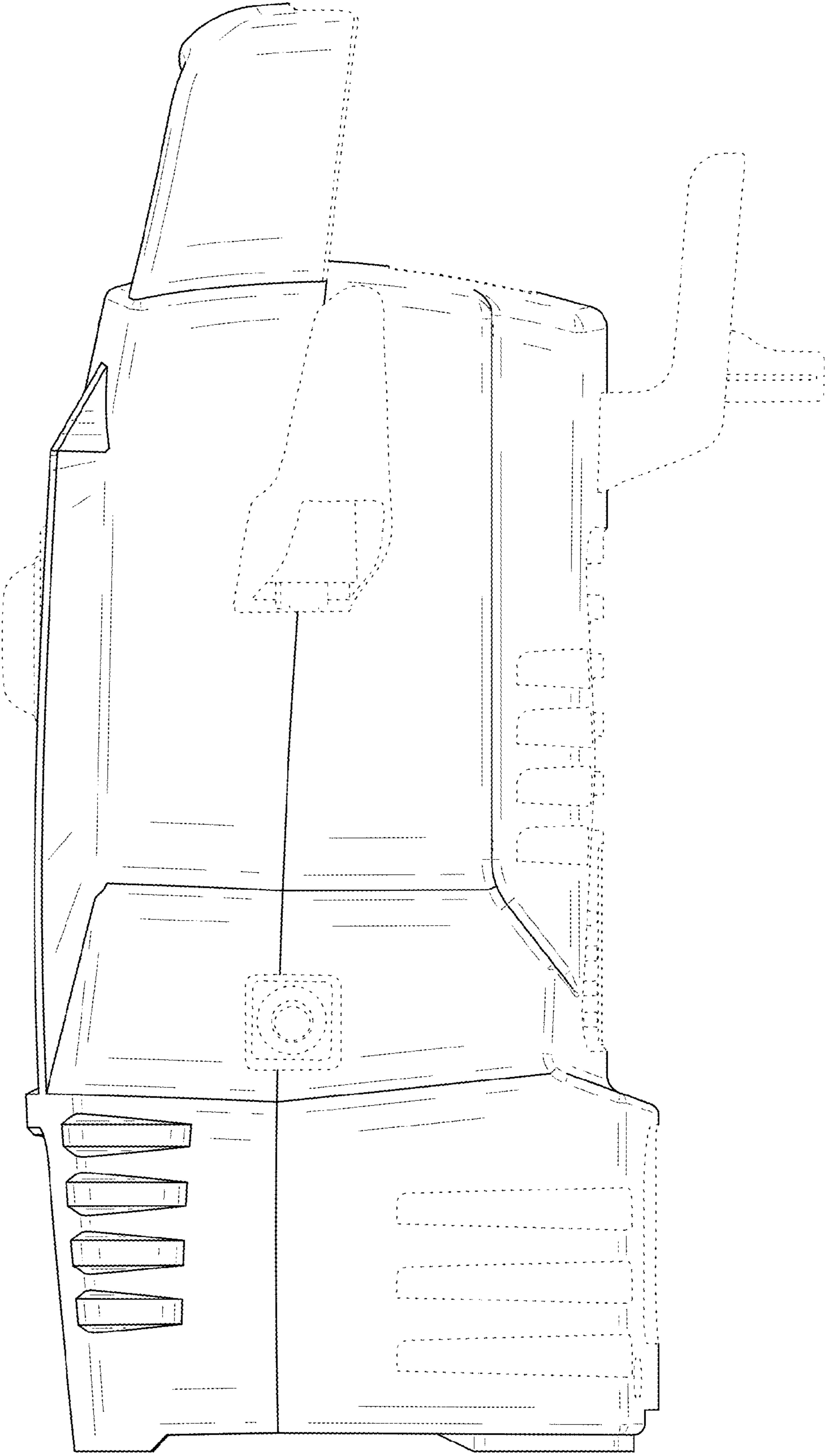


FIG. 6

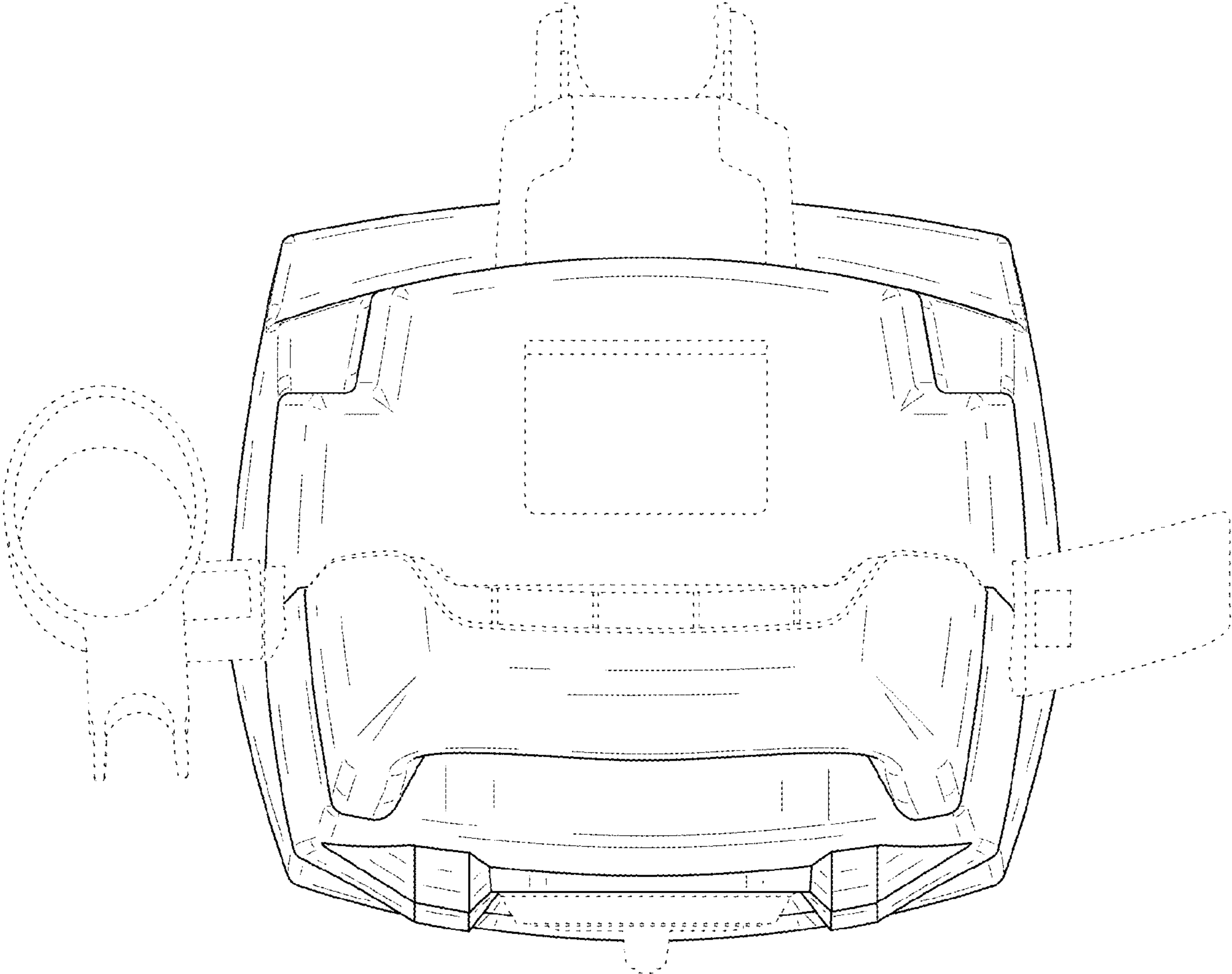


FIG. 7

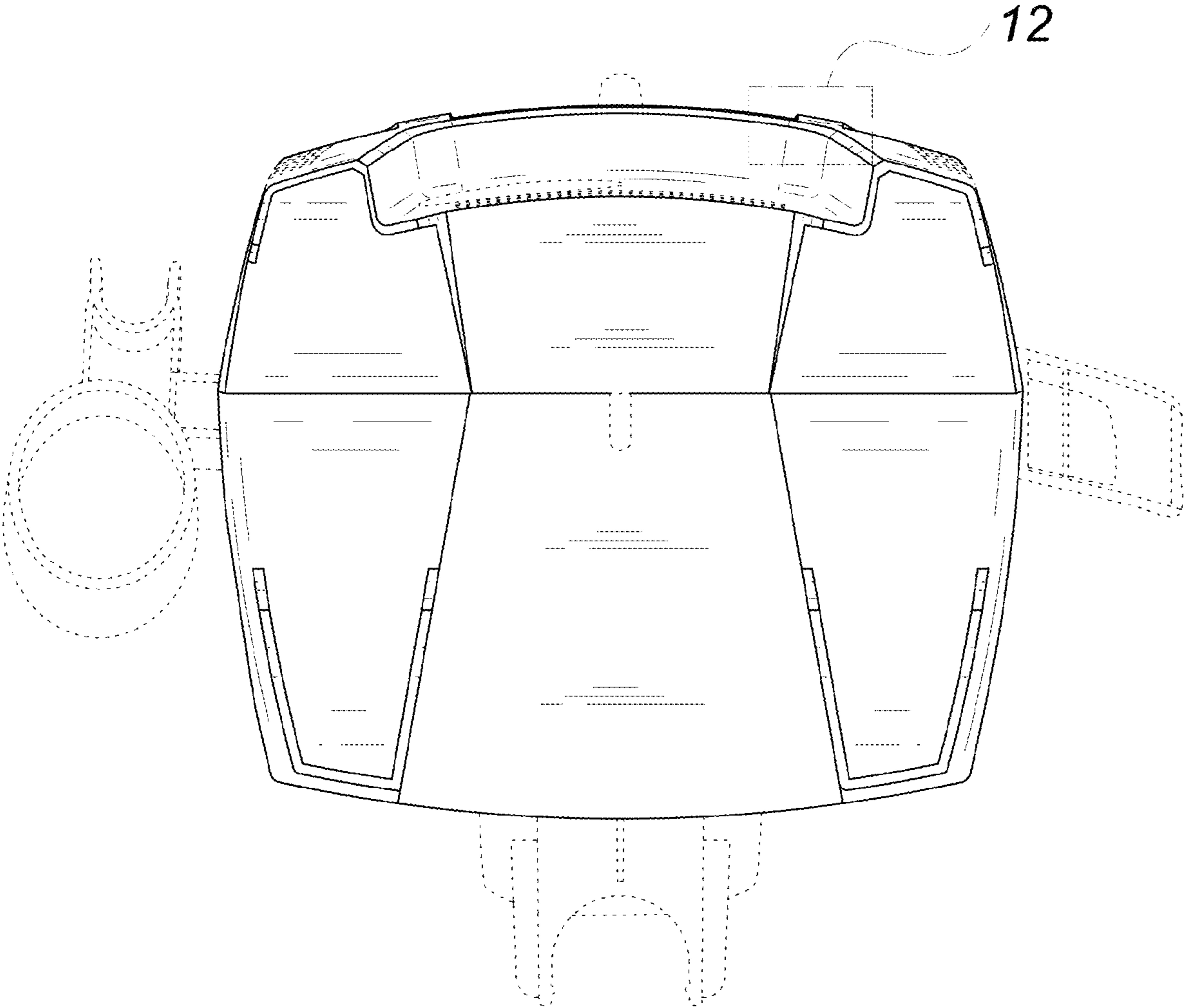


FIG. 8

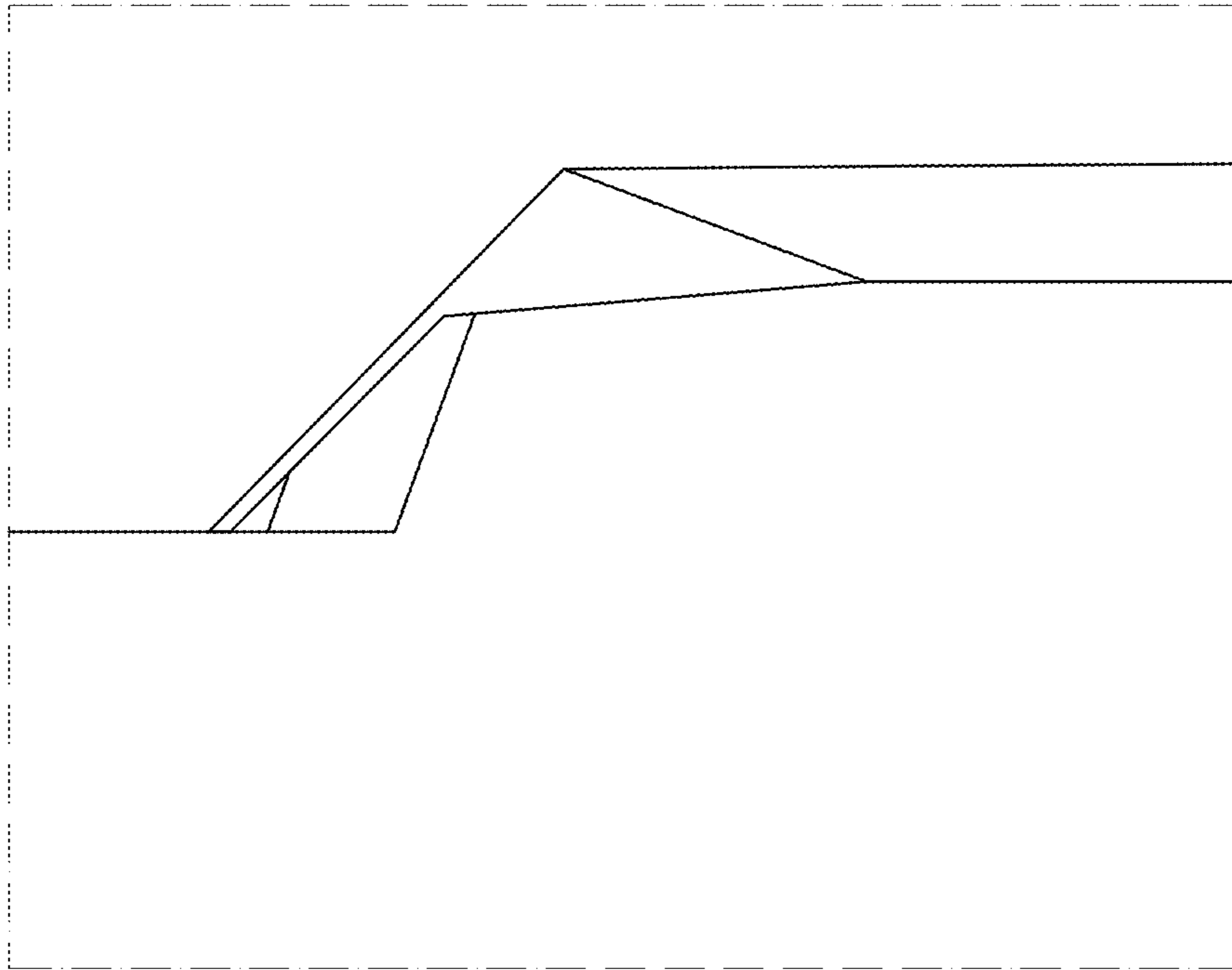


FIG.9

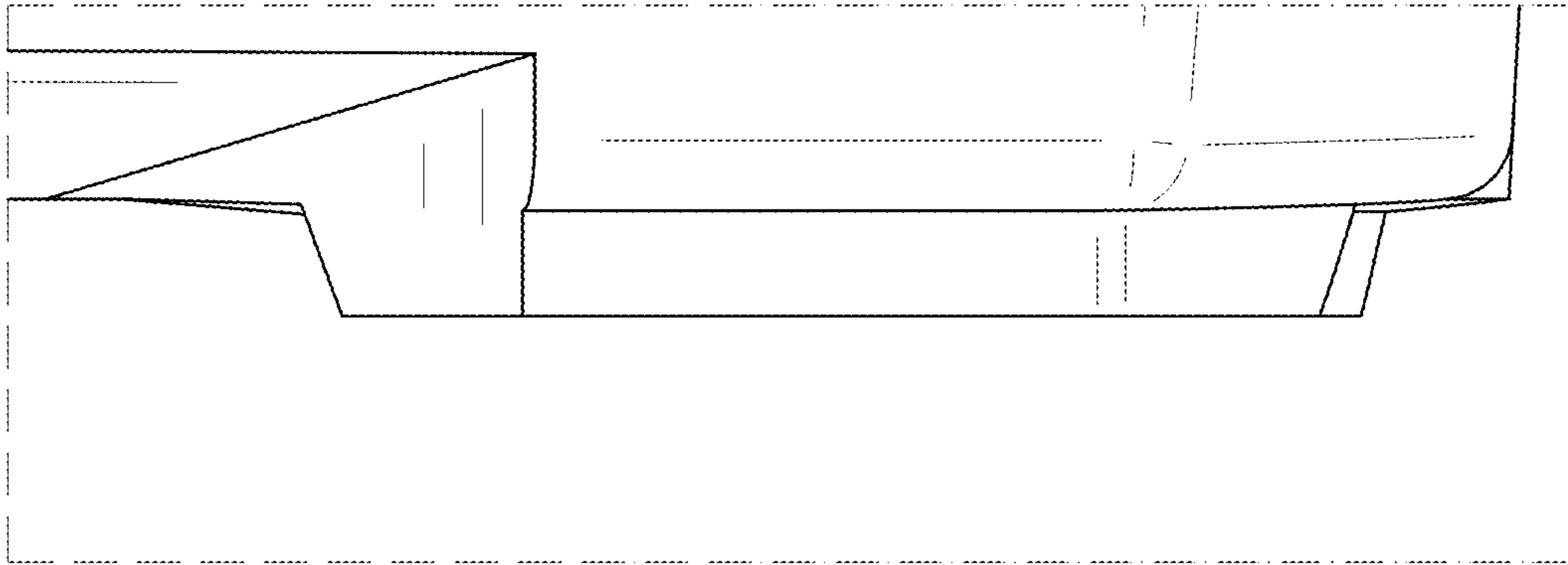


FIG. 10

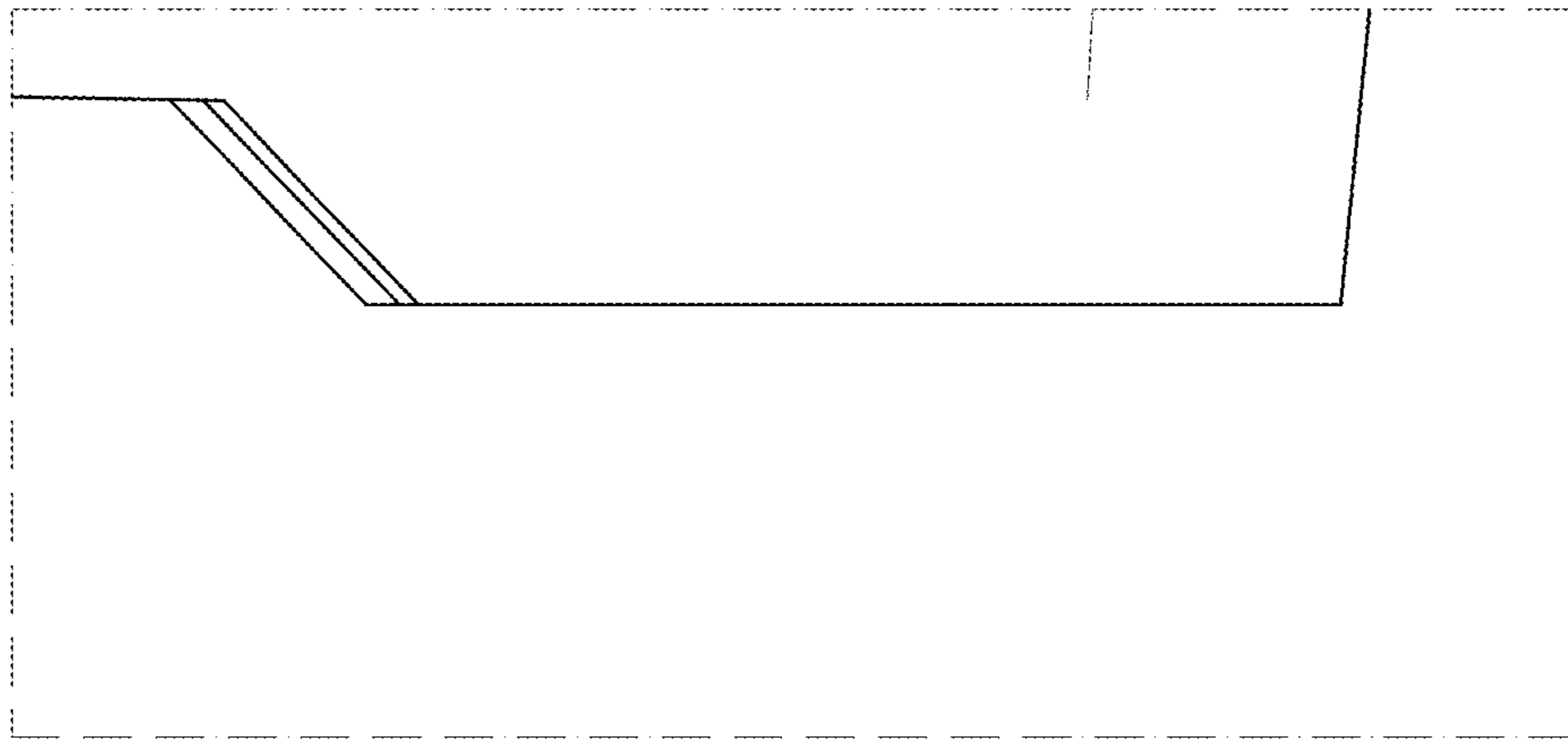


FIG. 11

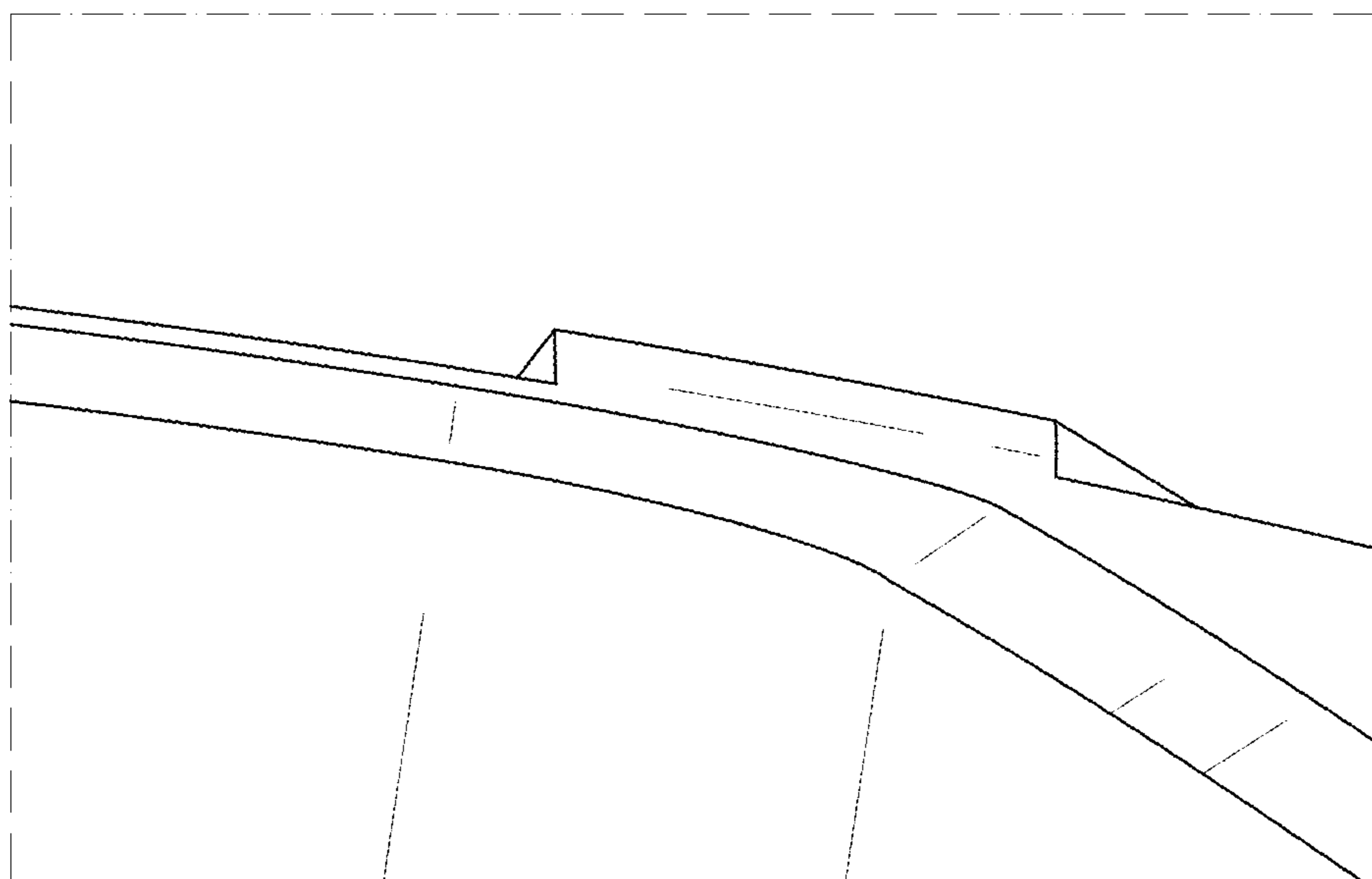


FIG. 12