



US0D1048596S

(12) **United States Design Patent** (10) **Patent No.:** **US D1,048,596 S**
Razo (45) **Date of Patent:** **** Oct. 22, 2024**

(54) **PET TOY**

(71) Applicant: **Caleb Razo**, Coppell, TX (US)

(72) Inventor: **Caleb Razo**, Coppell, TX (US)

(**) Term: **15 Years**

(21) Appl. No.: **29/851,646**

(22) Filed: **Aug. 30, 2022**

(51) **LOC (14) Cl.** **30-12**

(52) **U.S. Cl.**
USPC **D30/160**

(58) **Field of Classification Search**
USPC D30/121, 122, 129, 130, 160, 199;
D21/398, 443, 533, 710

CPC .. A01K 5/0114; A01K 5/0291; A01K 15/025;
A01K 15/026

See application file for complete search history.

(56) **References Cited**

U.S. PATENT DOCUMENTS

D57,212 S *	3/1921	Carter	D30/129
D205,236 S *	7/1966	Fitzwilliam	D7/700
4,200,057 A *	4/1980	Agar	A01K 15/04
				119/815
D658,825 S *	5/2012	Wolfe, Jr.	D30/160
8,276,547 B2 *	10/2012	Markham	A01K 15/026
				473/595
8,534,225 B2	9/2013	Vermeegen		
D704,383 S *	5/2014	Edlin	D30/129
D719,414 S *	12/2014	Hester	D7/700
D757,372 S *	5/2016	Clinton	D30/121
9,642,339 B2	5/2017	Bush		
10,172,323 B2 *	1/2019	Glinsky	A01K 5/0275
D914,996 S	3/2021	Kie		
10,932,443 B2 *	3/2021	Simon	A01K 5/0114
D927,796 S	8/2021	Clarke		
D928,422 S	8/2021	Wengreen		
2008/0314331 A1 *	12/2008	DeGhionno	A01K 5/0114
				119/709
2017/0127648 A1 *	5/2017	O'Donnell	A01K 15/025

(Continued)

FOREIGN PATENT DOCUMENTS

WO 2013156033 A1 10/2013

OTHER PUBLICATIONS

Chew King Premium Treat Dog Toy, Medium, Extremely Durable Natural Rubber Toy, Pack of 2; posted Apr. 25, 2018, Mar. 29, 2024 [online]. URL: <https://www.amazon.com/dp/B07B3RR2VG> (Year: 2018).*

(Continued)

Primary Examiner — Samantha Wood

Assistant Examiner — Emily A Caven

(74) *Attorney, Agent, or Firm* — QuickPatents; Kevin Prince

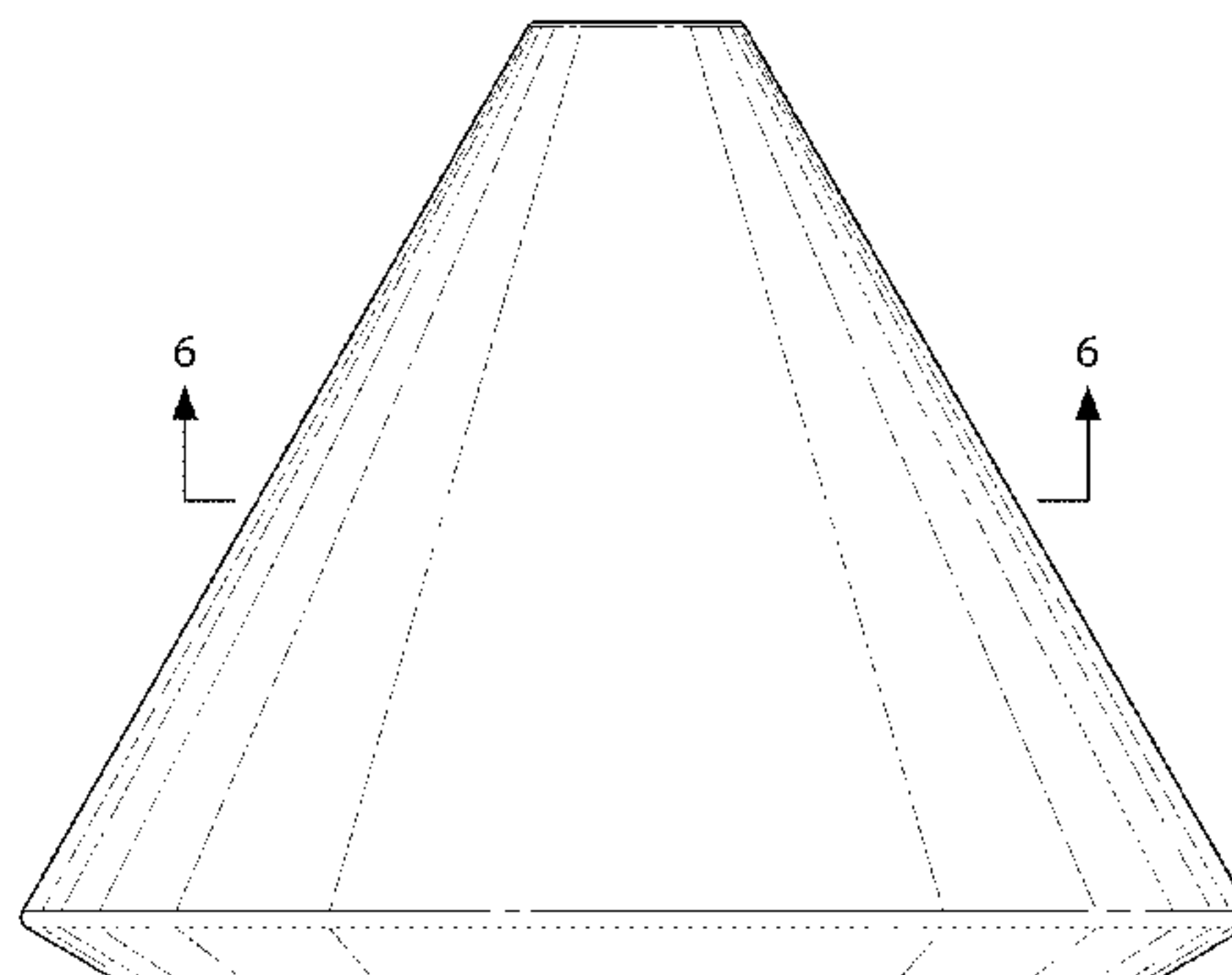
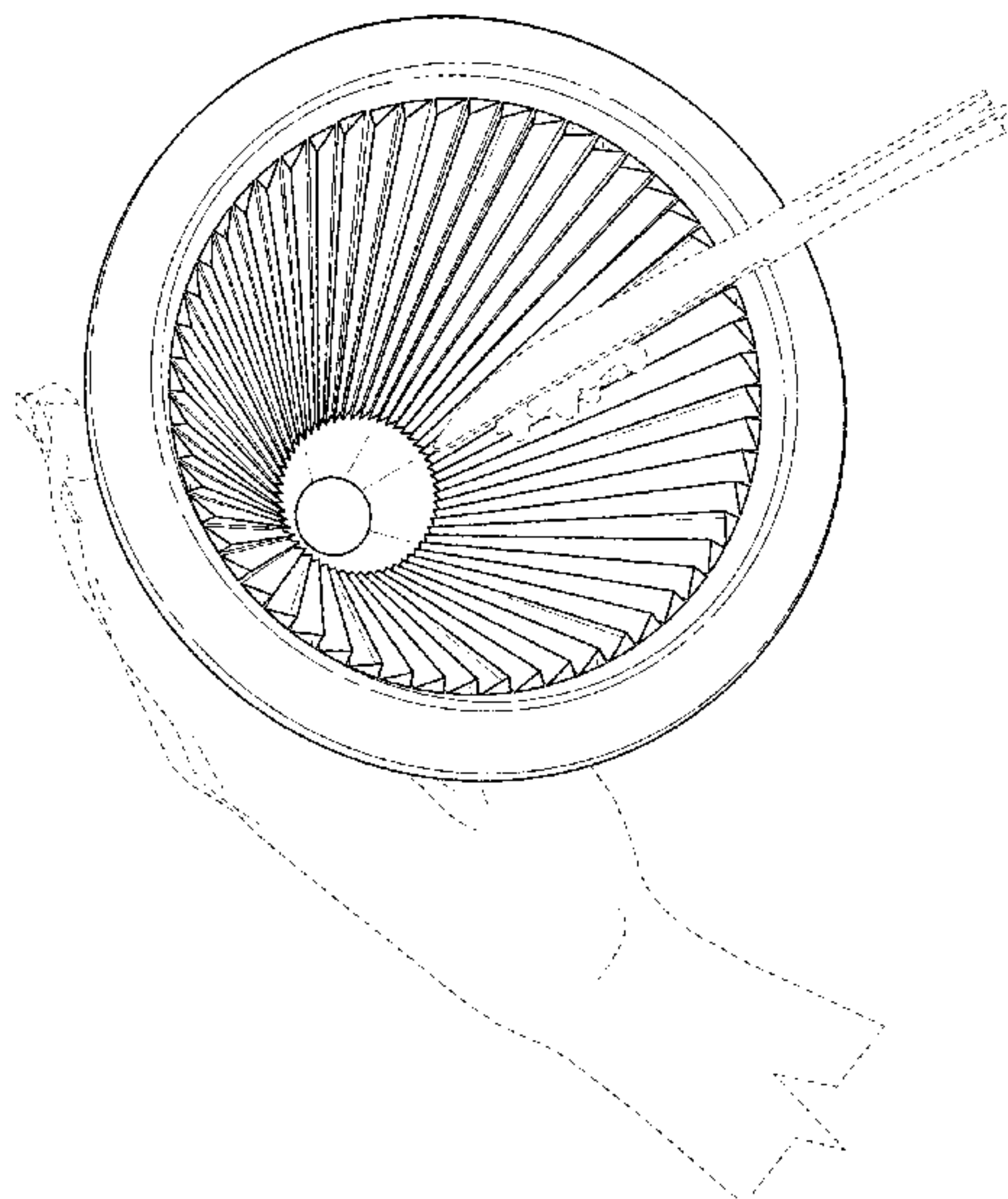
(57) **CLAIM**

The ornamental design for a pet toy, as shown and described.

DESCRIPTION

FIG. 1 is a top perspective view of a pet toy, showing my new design;
FIG. 2 is a bottom perspective view thereof, illustrated in a condition of use;
FIG. 3 is a left-side elevational view thereof, the right-side elevational view, front elevational view, and rear elevational view all being identical thereto;
FIG. 4 is a top plan view thereof;
FIG. 5 is a bottom plan view thereof;
FIG. 6 is a cross-sectional view thereof, taken along line 6-6 of FIG. 3; and,
FIG. 7 is a cross-sectional view thereof, taken along line 7-7 of FIG. 4.
The broken lines in FIG. 2 depict environmental structure that forms no part of the claimed design.

1 Claim, 7 Drawing Sheets



(56)

References Cited

U.S. PATENT DOCUMENTS

2020/0196566 A1 6/2020 Clarke et al.
2023/0180712 A1* 6/2023 Straw A01K 5/015
119/51.03

OTHER PUBLICATIONS

EquiEssence Slow Feeder Dog Bowl Silicone Lick Pads for Oral Health, Reducing Anxiety and Overeating; posted Jan. 26, 2021, retrieved Mar. 29, 2024 [online]. URL: <https://www.amazon.com/dp/B0C6FRWN2N/?th=1> (Year: 2021).*

Tuff Pupper Extra Large Dog Lick Bowl | Rip Proof Thick Silicone Lick Mat | 4 Texture XL Slow Feeder | Calms Anxiety & Boredom | Stable & Wobble Mode | Wet Food Peanut Butter Yogurt | Dishwasher Safe; posted Apr. 27, 2023, Mar. 29, 2024 [online]. URL: <https://www.amazon.com/dp/B0C3RJ351W> (Year: 2023).*

Nopisen Pet Slow Feeder Bowl Lick Mat , Silicone Dog Bowl with Suction Cups , Dog Cat Lick Mat to Slow Down Eating (Pink); posted Oct. 20, 2023, retrieved Mar. 29, 2024 [online]. URL: <https://www.amazon.com/dp/B0CLFPTJCC> (Year: 2023).*

* cited by examiner

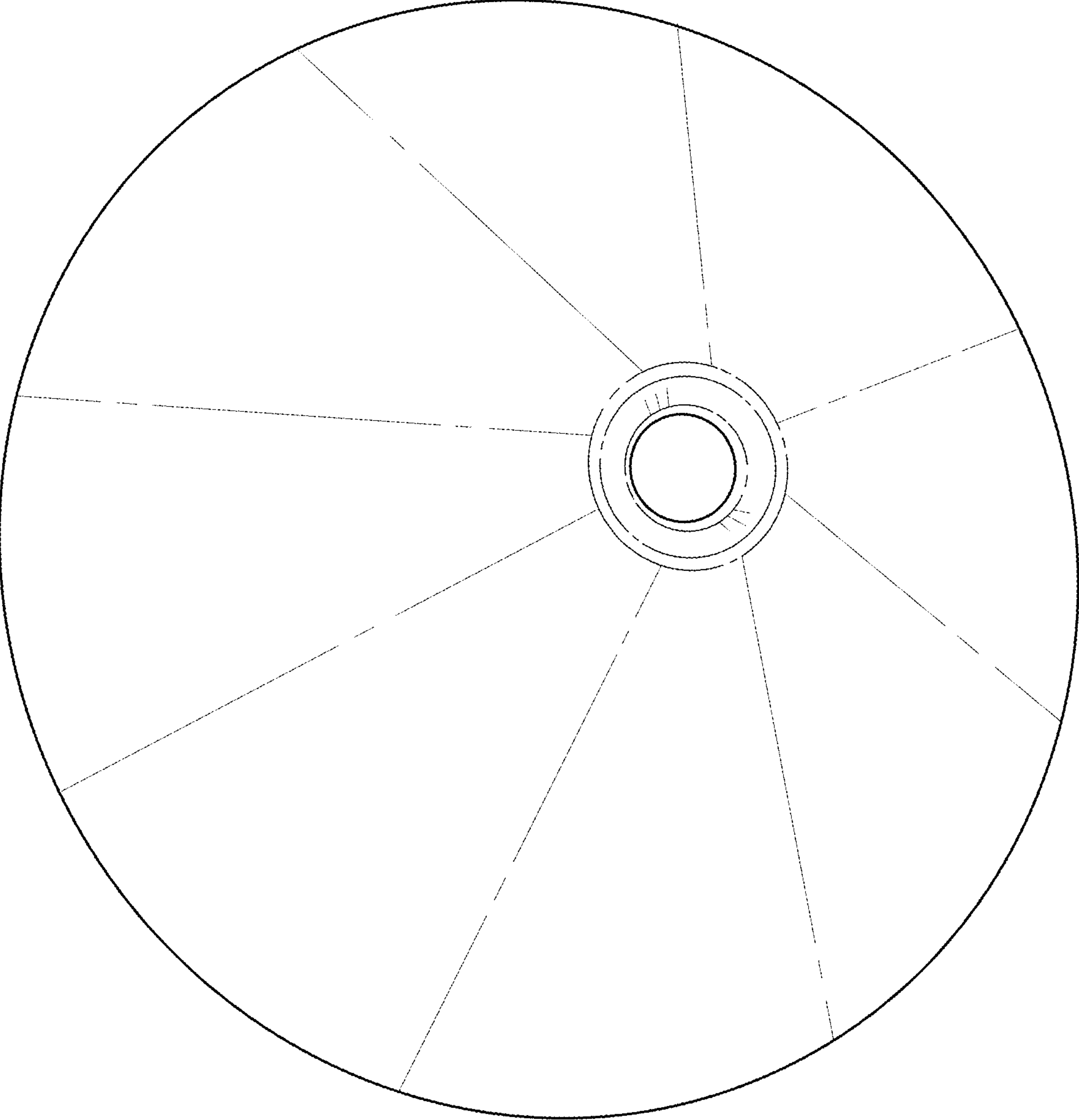


FIG. 1

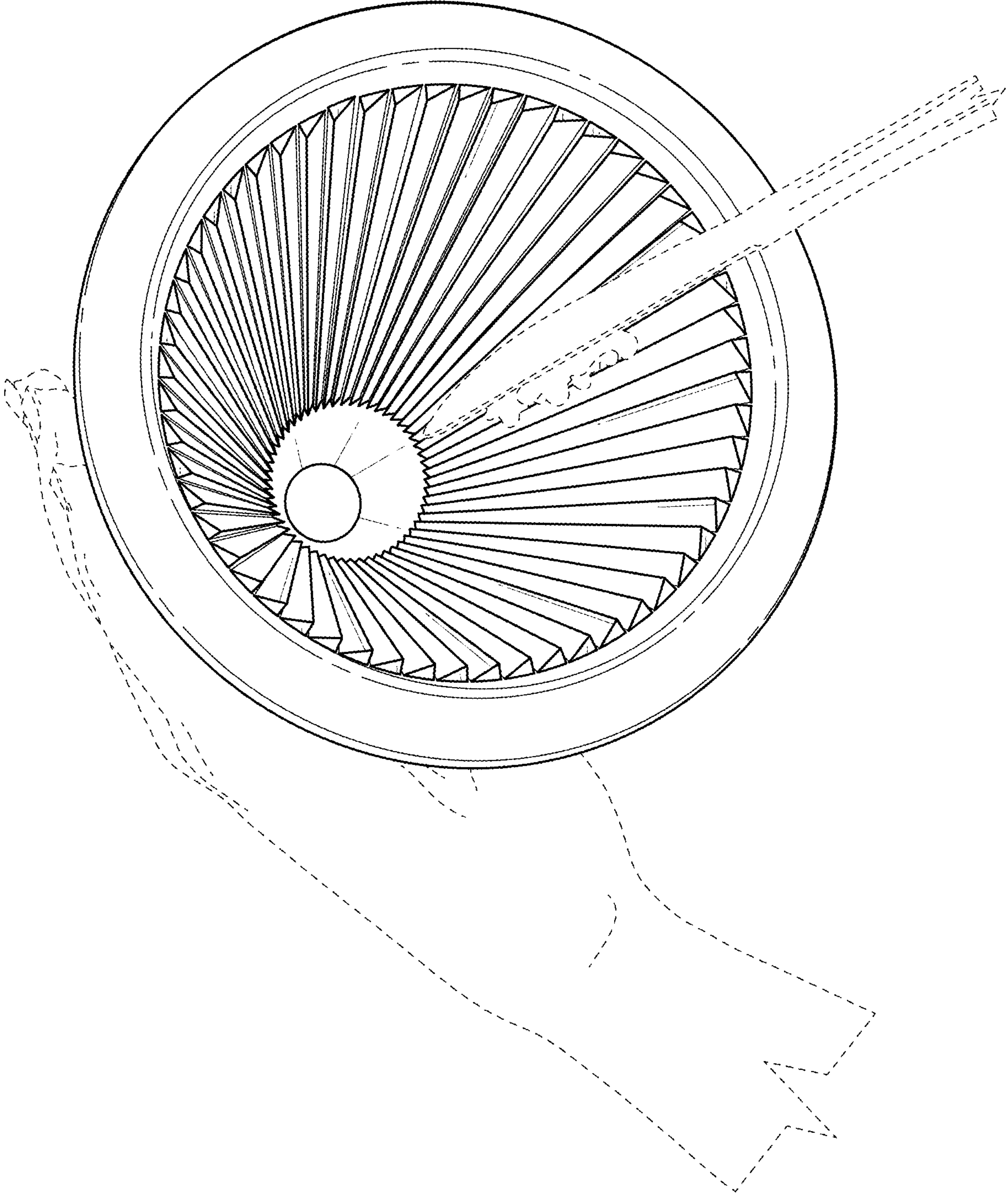


FIG. 2

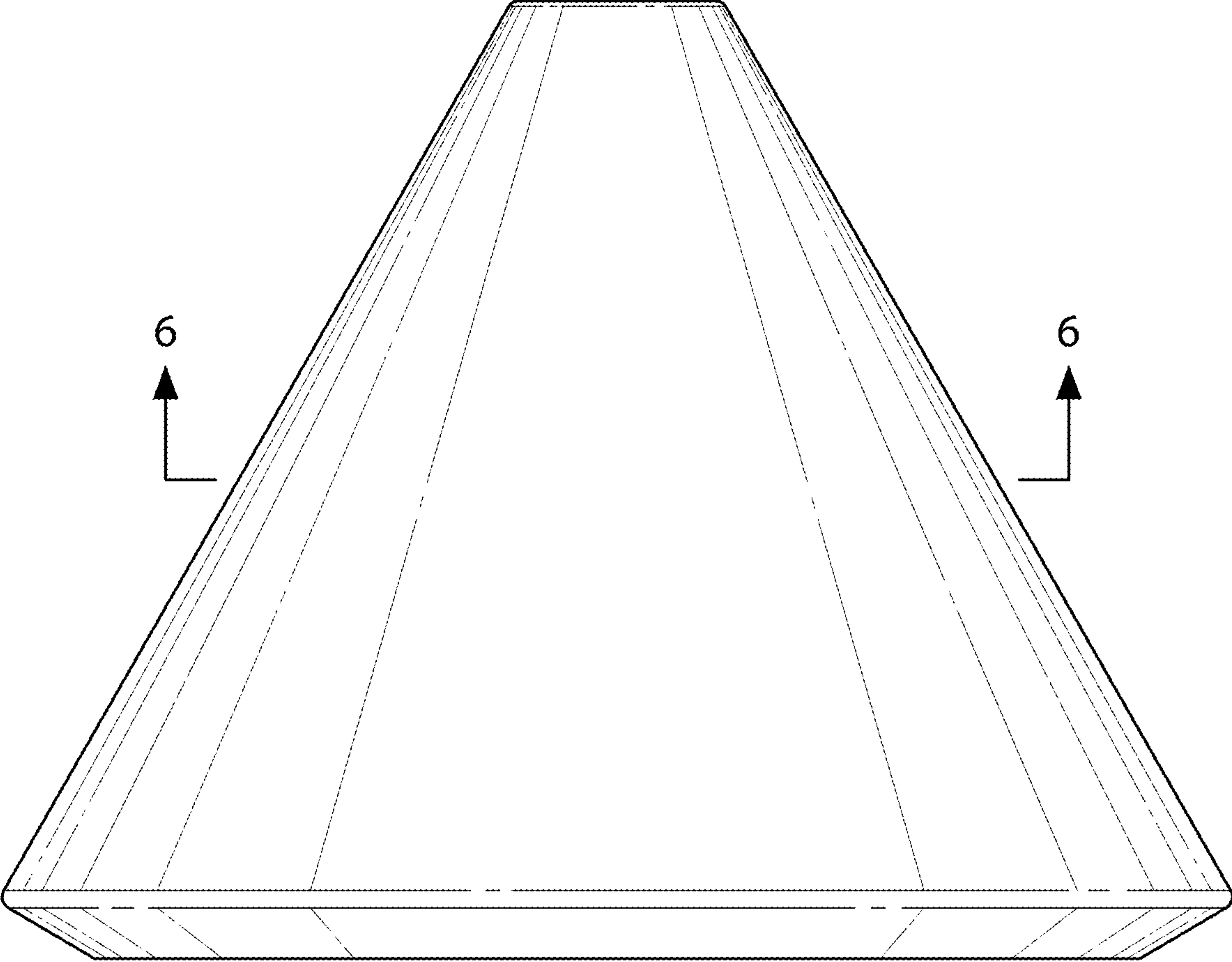


FIG. 3

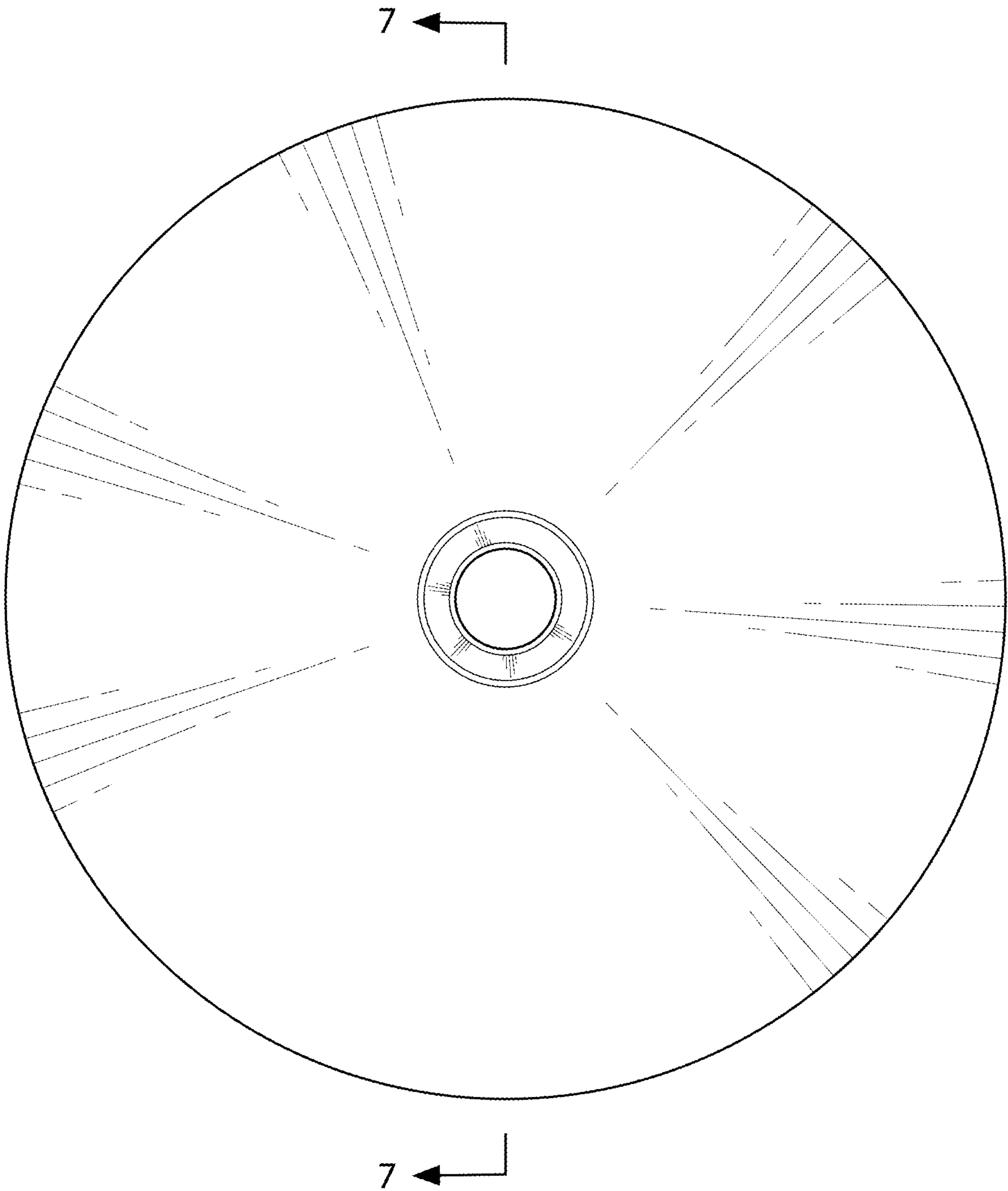


FIG. 4

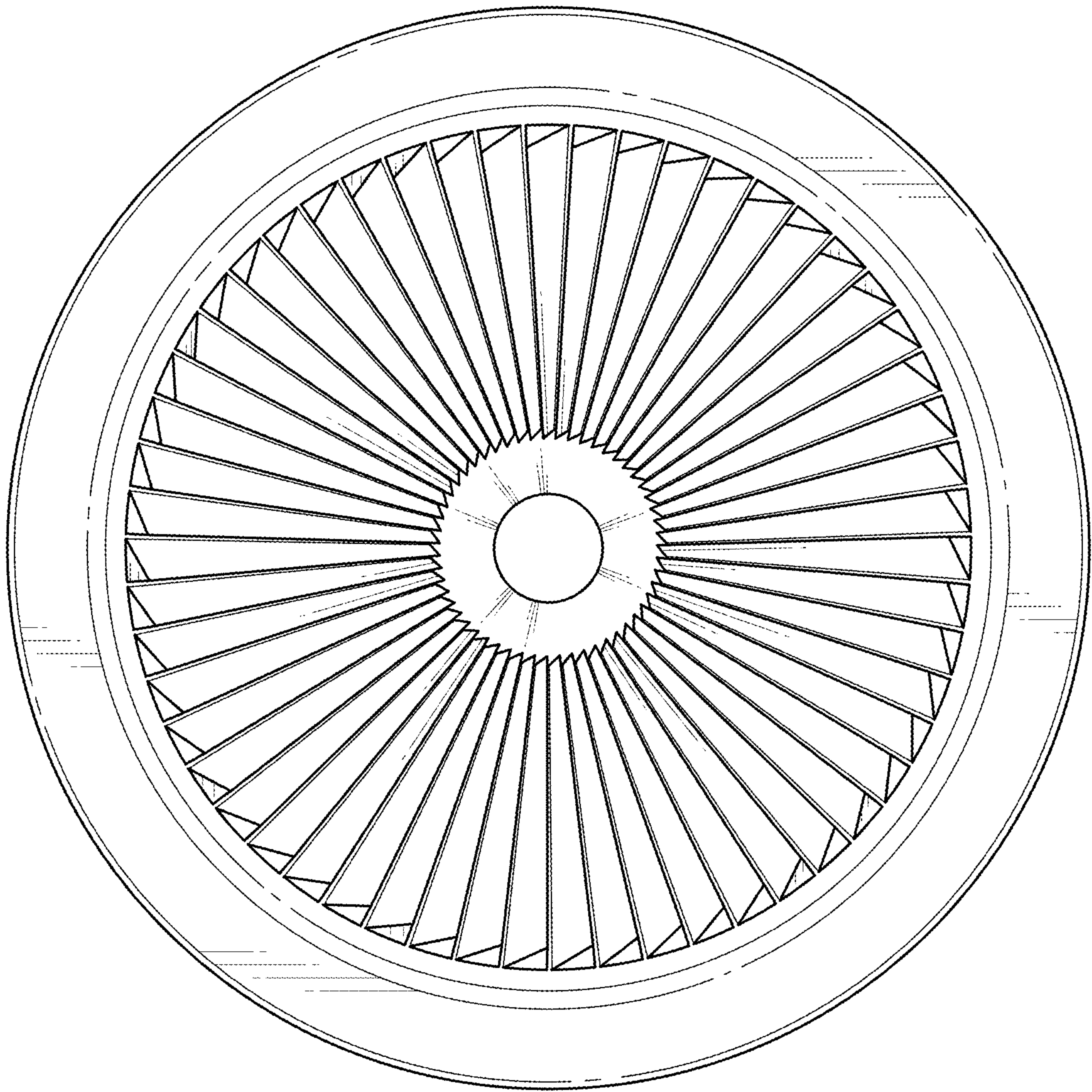


FIG. 5

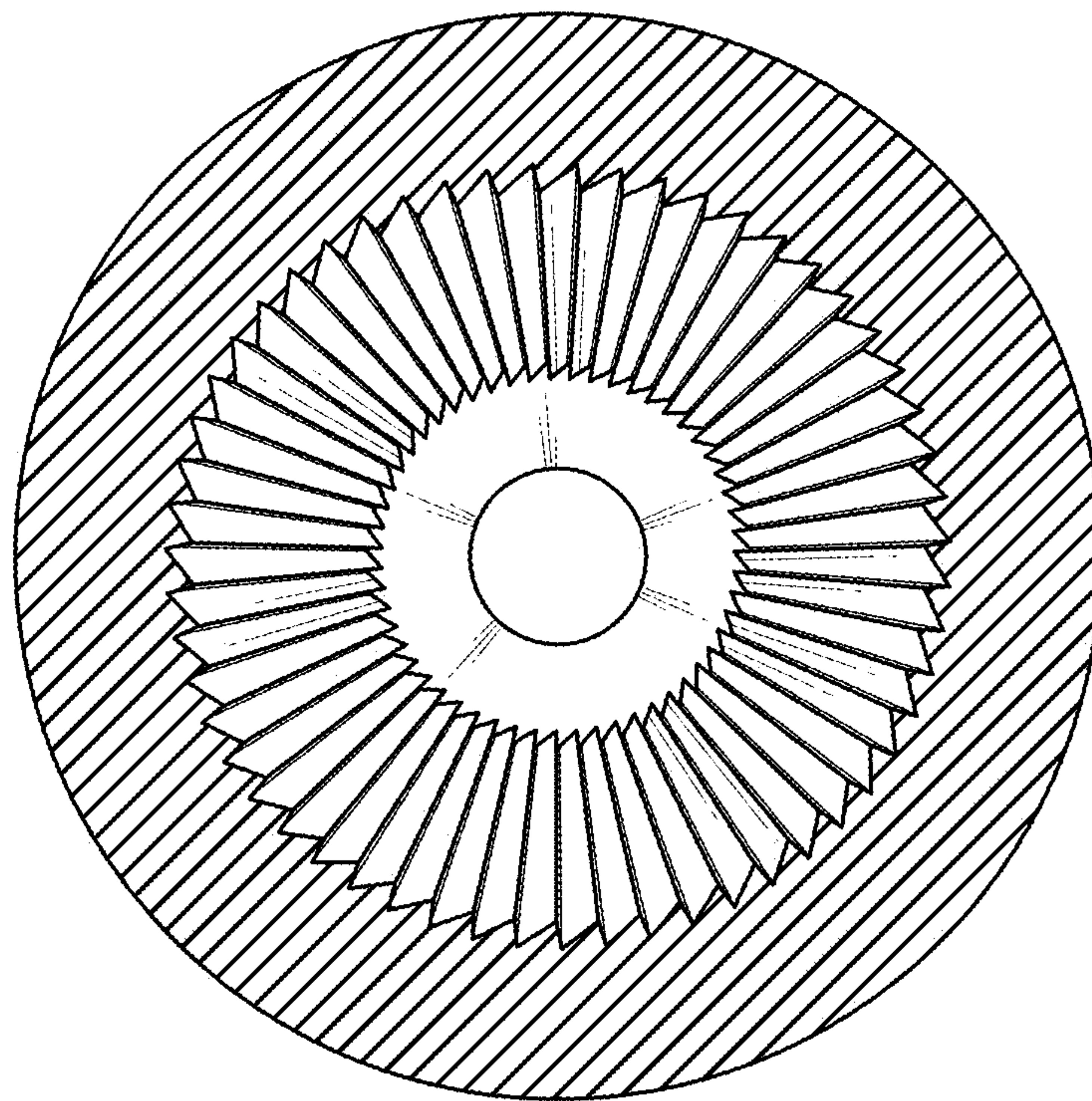


FIG. 6

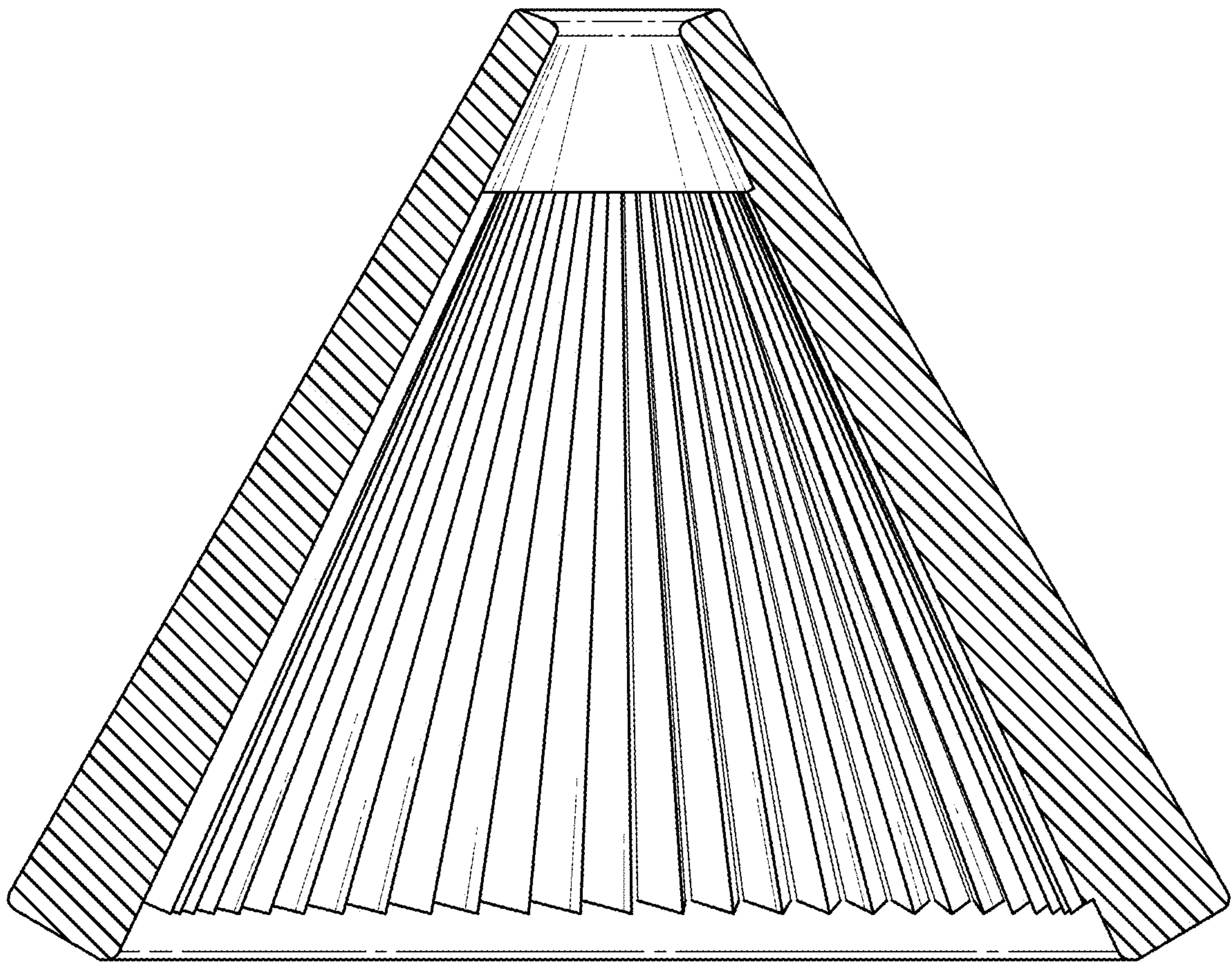


FIG. 7