



US0D1048588S

(12) **United States Design Patent** (10) **Patent No.:** **US D1,048,588 S**  
**Zhang** (45) **Date of Patent:** **\*\* Oct. 22, 2024**

(54) **PET COAT**

(71) Applicant: **Ming Zhang**, Shandong (CN)

(72) Inventor: **Ming Zhang**, Shandong (CN)

(\*\*) Term: **15 Years**

(21) Appl. No.: **29/834,457**

(22) Filed: **Apr. 12, 2022**

(51) **LOC (14) Cl.** ..... **30-01**

(52) **U.S. Cl.**

USPC ..... **D30/145**; D2/828

(58) **Field of Classification Search**

USPC ..... D30/144, 145, 151, 199; D24/188, 190;  
D2/828, 829, 830, 831, 833, 834

CPC ..... **A01K 13/006**

See application file for complete search history.

(56) **References Cited**

**U.S. PATENT DOCUMENTS**

3,248,852	A *	5/1966	Schwartz	.....	A01K 13/006 54/79.1
D455,537	S *	4/2002	Fyfe	.....	D2/829
D526,452	S *	8/2006	Crain	.....	D30/145
D655,055	S *	2/2012	Toll	.....	D30/145
D814,718	S *	4/2018	Puljujärvi	.....	D30/145
D929,050	S *	8/2021	Shen	.....	D30/145
D931,576	S *	9/2021	Borgia	.....	D2/828
D942,709	S *	2/2022	Kim	.....	D30/145
11,278,005	B1 *	3/2022	Tyson	.....	A01K 13/006
D952,960	S *	5/2022	Wang	.....	D30/145
D1,016,408	S *	2/2024	Pan	.....	D30/145
2011/0174237	A1 *	7/2011	Sanders-Luckman	.....	A01K 13/006 119/856
2013/0276719	A1 *	10/2013	Ferrando	.....	A01K 13/006 119/850

**OTHER PUBLICATIONS**

“Fuamey: Winter Vest w—D-Ring”. Found online Jan. 18, 2024 at amazon.com. Reference dated Aug. 18, 2021. Retrieved from https://www.amazon.com/FUAMEY-Padded-Vest-Dog-Jacket/dp/B09CYPT77/.\*

“La Vie: Fleece Vest”. Found online Mar. 29, 2019 at amazon.co.uk. Reference dated Apr. 6, 2017. Retrieved from https://www.amazon.co.uk/VIE-Polyester-Fleece-Elastic-Animals/dp/B06XVF6T82.\*

“Hurta: Ultimate Warmer Coat”. Found online Aug. 9, 2017 at amazon.com. Reference dated Nov. 24, 2014. Retrieved from https://www.amazon.com/Hurta-Collection-Ultimate-Warmer-18-Inch/dp/B00916CMKU/.\*

“PetProject: DIY Woven Coat”. Found online Jul. 19, 2017 at petprojectblog.com. Reference dated Oct. 1, 2009. Retrieved from http://petprojectblog.com/archives/dogs/diy-woven-dog-coat/.\*

\* cited by examiner

*Primary Examiner* — Kendra Leslie Hamilton

(57) **CLAIM**

The ornamental design for a pet coat, as shown and described.

**DESCRIPTION**

FIG. 1 is a front perspective view of a pet coat showing my new design.

FIG. 2 is a front view of a pet coat.

FIG. 3 is a rear view of a pet coat.

FIG. 4 is a left side view of a pet coat.

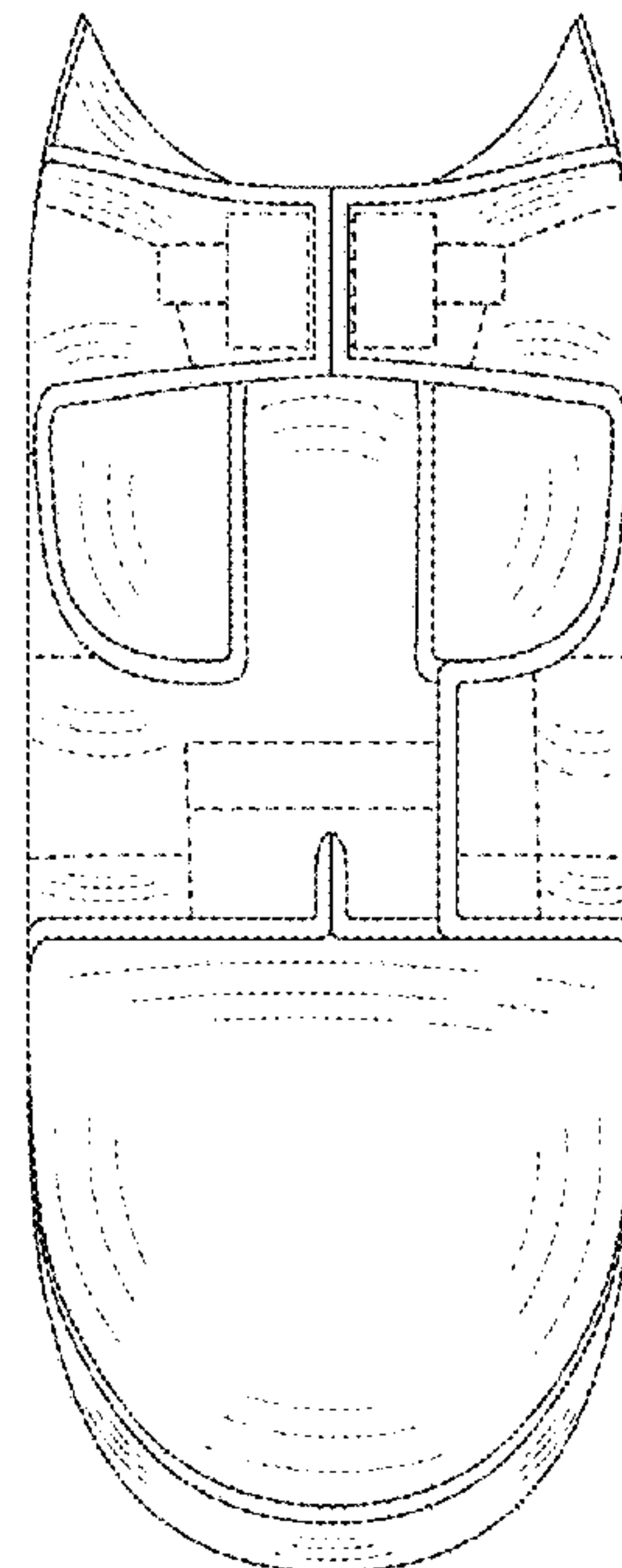
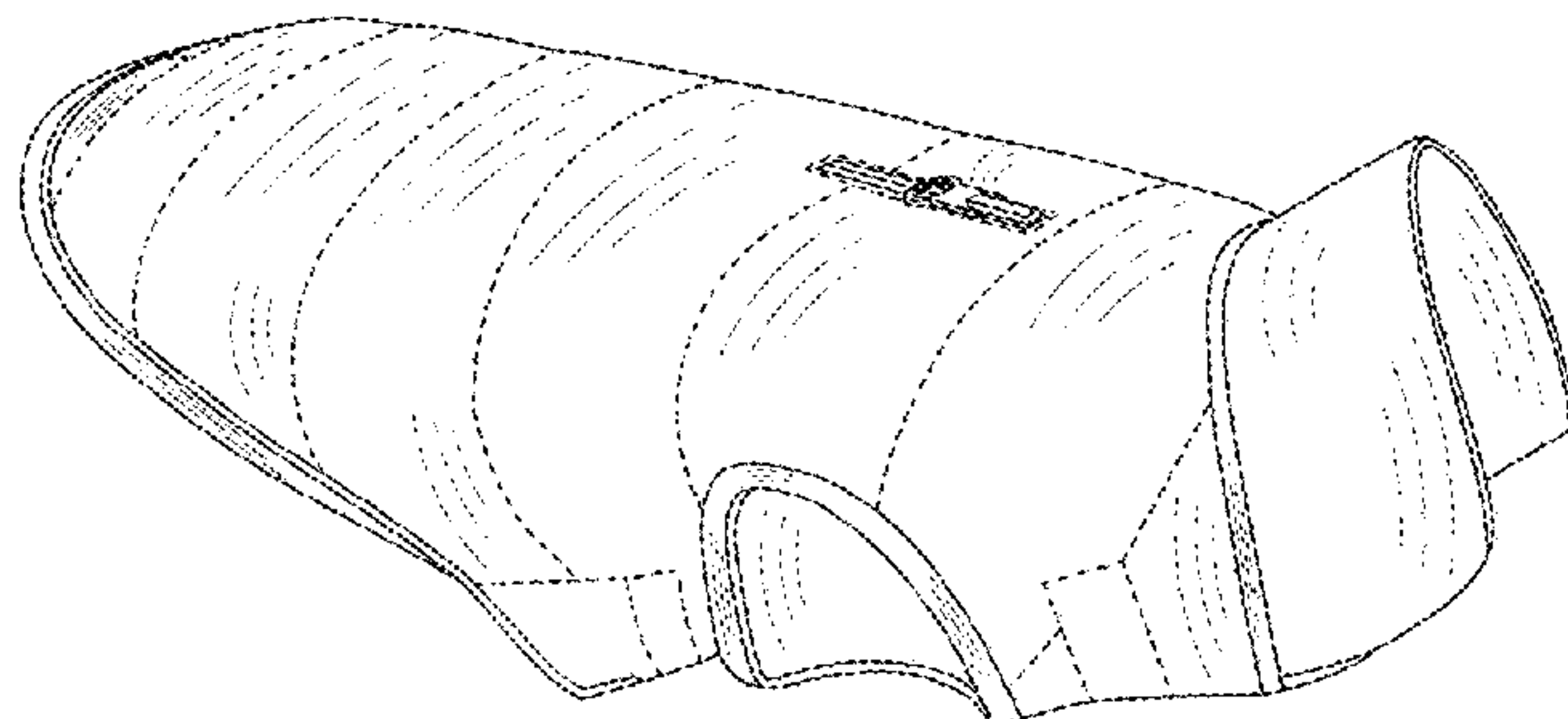
FIG. 5 is a right side view of a pet coat.

FIG. 6 is a top view of a pet coat; and,

FIG. 7 is a bottom view of a pet coat.

The broken lines depict stitching lines and form part of the claimed design.

**1 Claim, 7 Drawing Sheets**



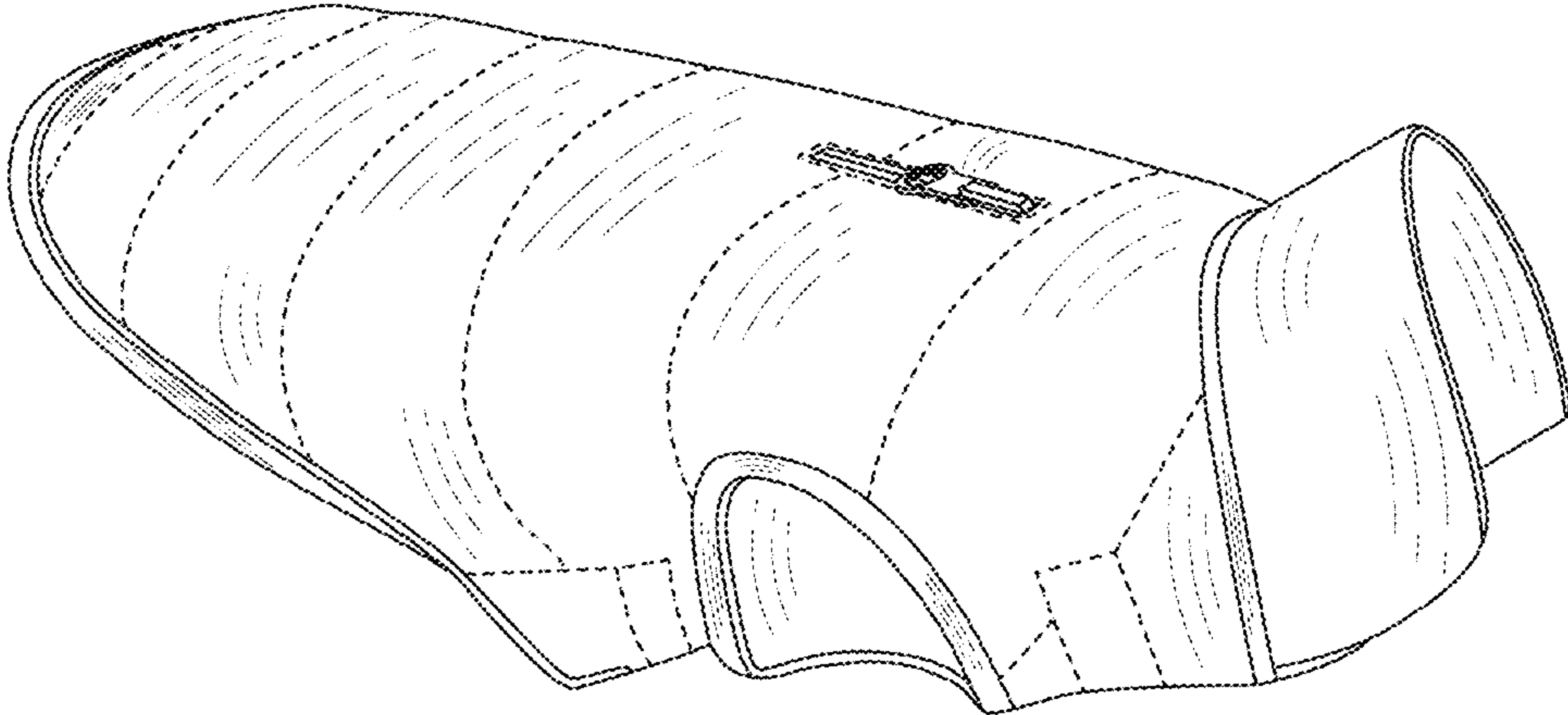


FIG.1

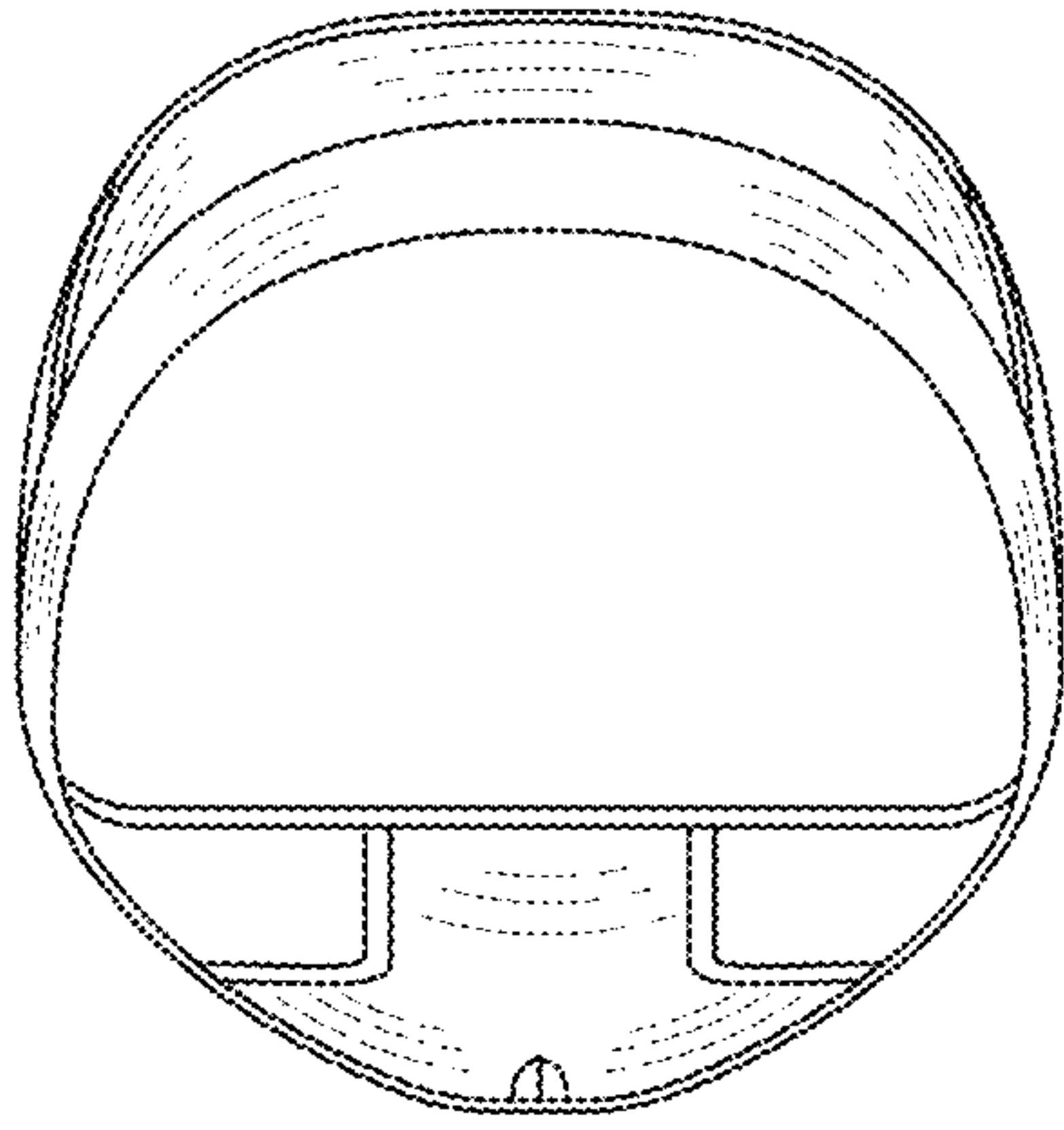


FIG.2

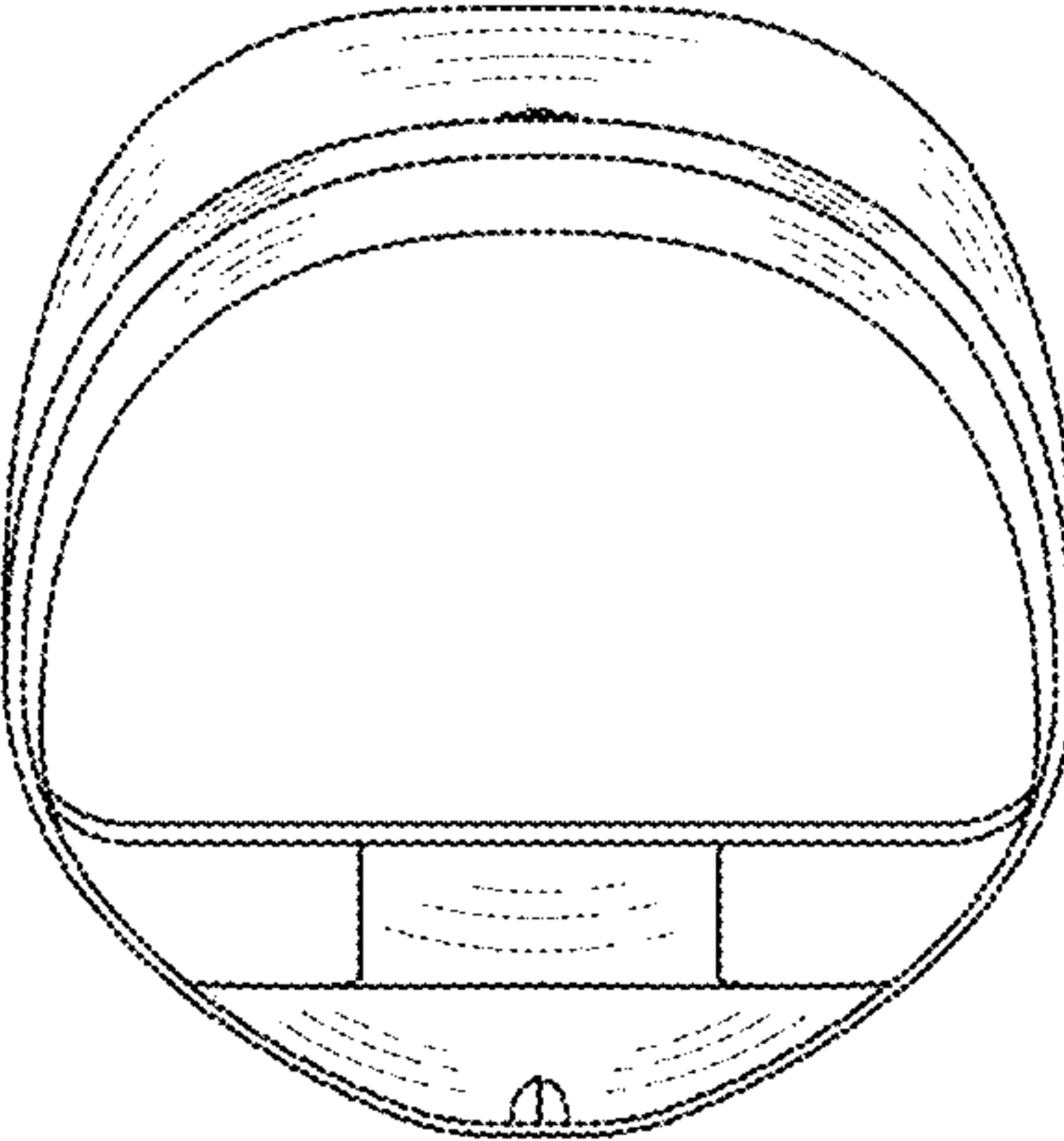


FIG.3

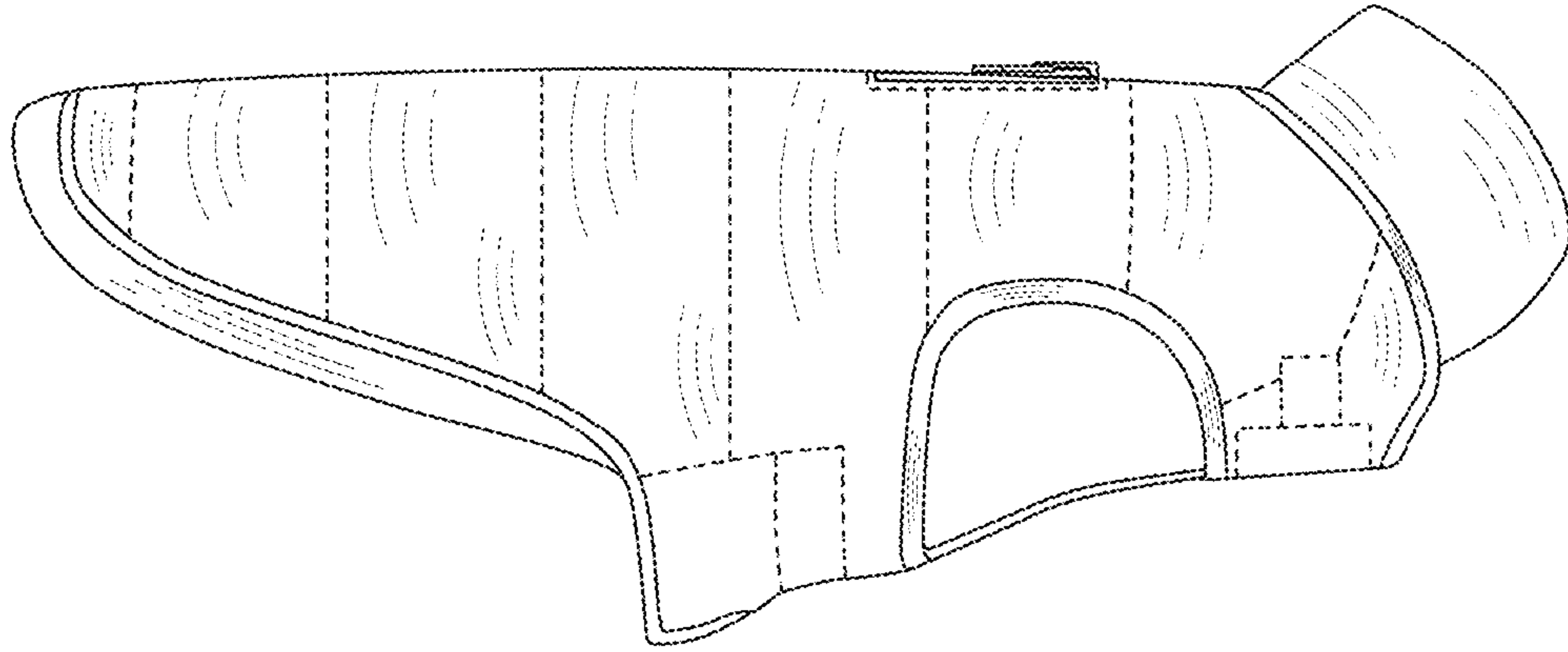


FIG.4

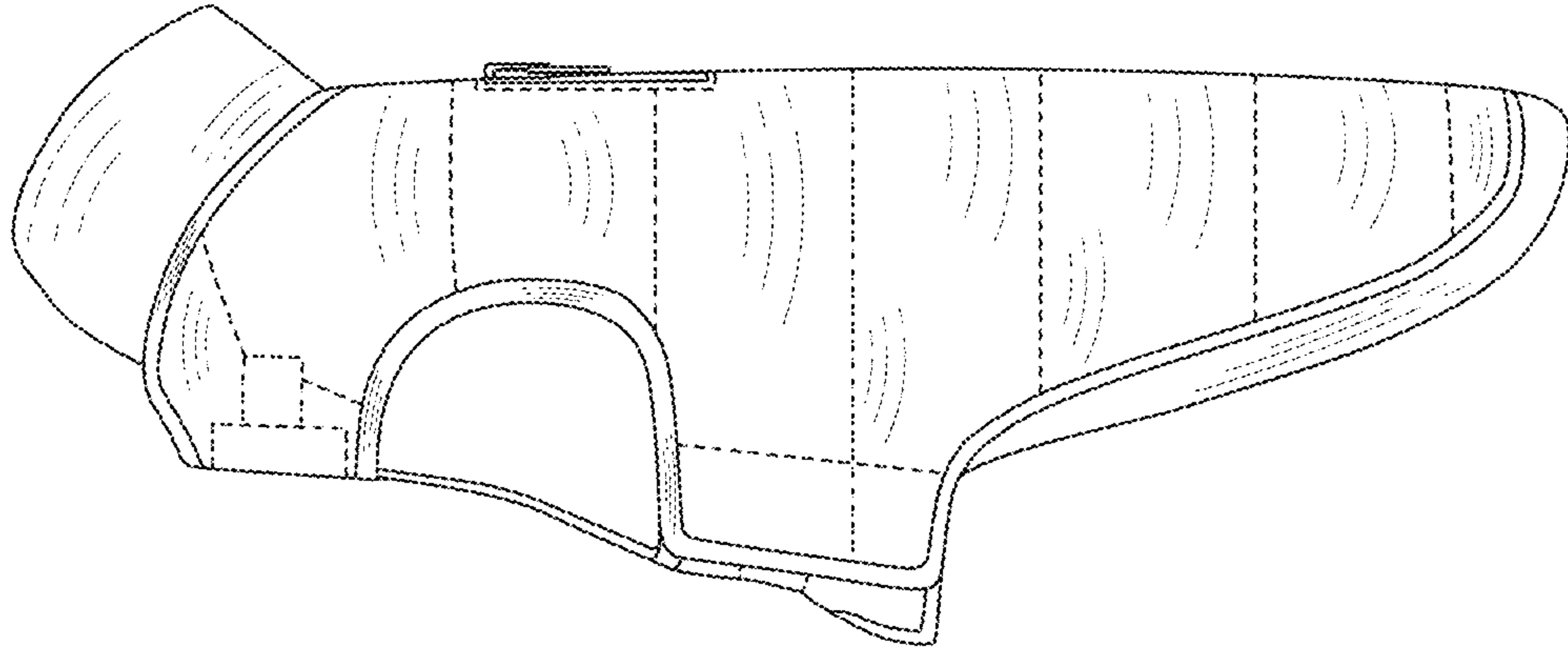


FIG.5

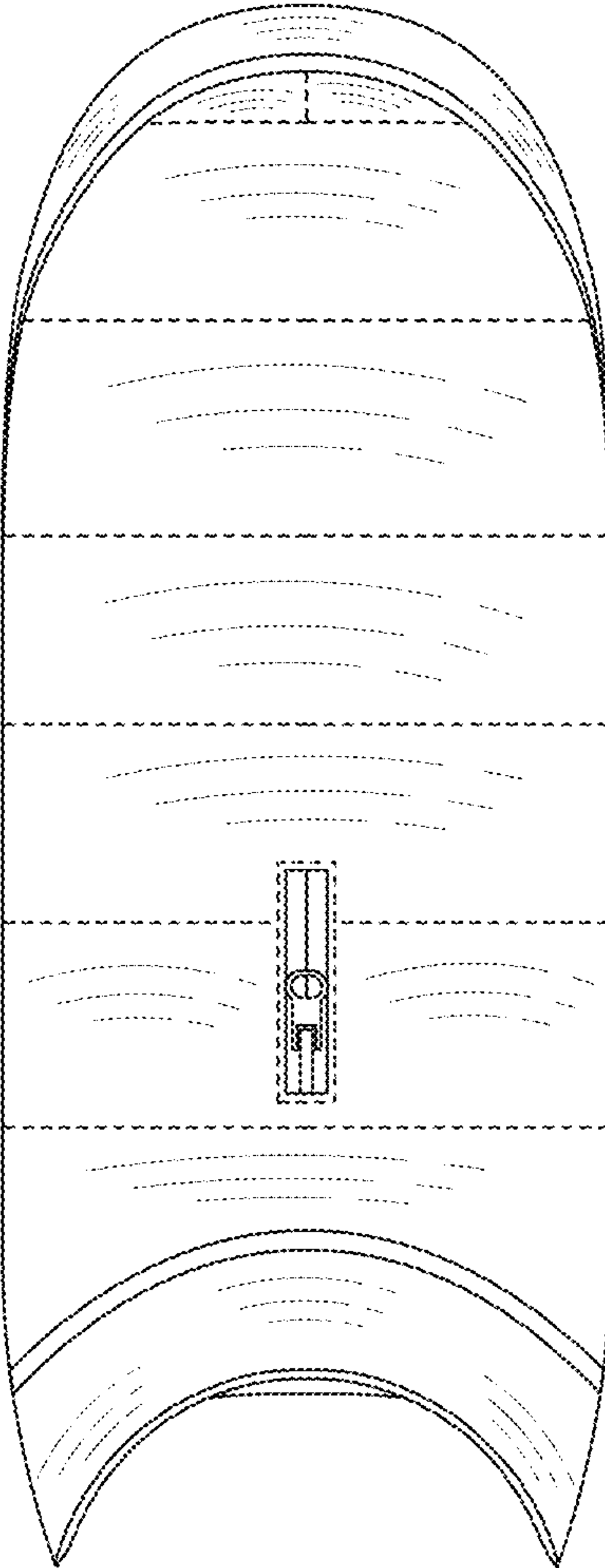


FIG.6



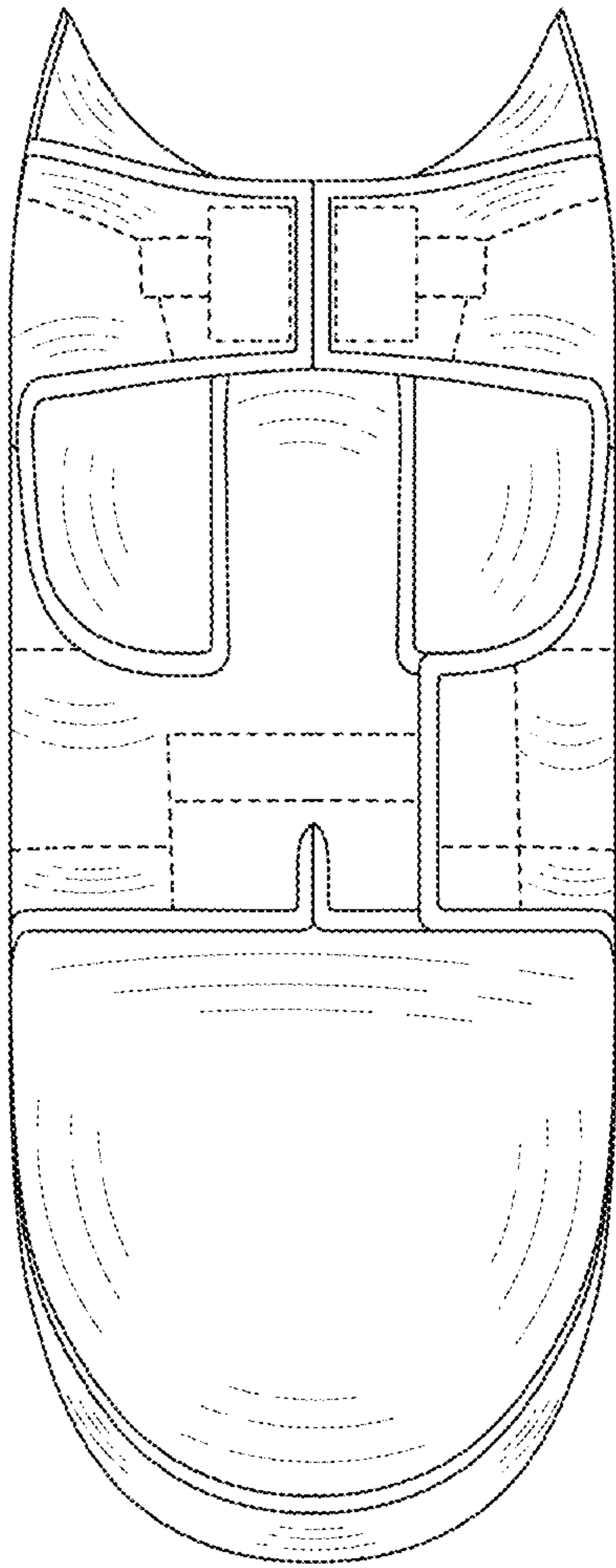


FIG. 7