



US0D1048587S

(12) **United States Design Patent** (10) **Patent No.:** **US D1,048,587 S**
Zhang (45) **Date of Patent:** **** Oct. 22, 2024**

(54) **PET CLOTHES**

(71) Applicant: **Ming Zhang**, Shandong (CN)

(72) Inventor: **Ming Zhang**, Shandong (CN)

(**) Term: **15 Years**

(21) Appl. No.: **29/834,011**

(22) Filed: **Apr. 8, 2022**

(51) **LOC (14) Cl.** **30-01**

(52) **U.S. Cl.**

USPC **D30/145**; D2/828

(58) **Field of Classification Search**

USPC D30/144, 145, 151, 199; D24/188, 190;
D2/828, 829, 830, 831, 833, 834

CPC A01K 13/006

See application file for complete search history.

(56) **References Cited**

U.S. PATENT DOCUMENTS

3,248,852	A *	5/1966	Schwartz	A01K 13/006
					54/79.1
3,742,679	A *	7/1973	Jordan	A01K 13/006
					54/79.1
D441,924	S *	5/2001	Mann	D30/145
D455,537	S *	4/2002	Fyfe	D2/829
D758,676	S *	6/2016	Rollins	D30/145
D814,718	S *	4/2018	Puljujärvi	D30/145
D826,483	S *	8/2018	Yun	D30/145
D931,576	S *	9/2021	Borgia	D2/828
D942,709	S *	2/2022	Kim	D30/145
D952,960	S *	5/2022	Wang	D30/145
D1,016,408	S *	2/2024	Pan	D30/145
2010/0206247	A1 *	8/2010	Cheng	A01K 13/006
					119/850
2014/0053790	A1 *	2/2014	Rumps	A01K 13/006
					119/850

OTHER PUBLICATIONS

“Gooby: Wind Parka”. Found online May 30, 2024 at amazon.com. Reference dated Sep. 21, 2012. Retrieved from <https://www.amazon.com/Gooby-Wind-Parka-Dogs-Small/dp/B009757GJC?th=1>.*

“Zack & Zoey: Hooded Blizzard Vest”. Found online Aug. 20, 2019 at amazon.ca. Reference dated Sep. 12, 2012. Retrieved from <https://www.amazon.ca/Zack-Zoey-Polyester-Blizzard-Raspberry/dp/B005P8WNPC/>.*

“East Side: Brite Stripe Hooded Vest”. Found online Jul. 13, 2017 at amazon.com. Reference dated Nov. 6, 2012. Retrieved from <https://www.amazon.com/East-Side-Collection-Polyester-X-Small/dp/B0040DJ5UE/>.*

“Selmai: Hooded Vest”. Found online Aug. 23, 2019 at amazon.com. Reference dated Feb. 7, 2017. Retrieved from <https://www.amazon.com/SELMAI-Fleece-Hoodie-Chihuahua-Clothes/dp/B01NBJXS4B/>.*

* cited by examiner

Primary Examiner — Kendra Leslie Hamilton

(57) **CLAIM**

The ornamental design for a pet clothes, as shown and described.

DESCRIPTION

FIG. 1 is a front perspective view of a pet clothes design showing my new design.

FIG. 2 is a front view of the pet clothes.

FIG. 3 is a rear view of the pet clothes.

FIG. 4 is a left view of the pet clothes.

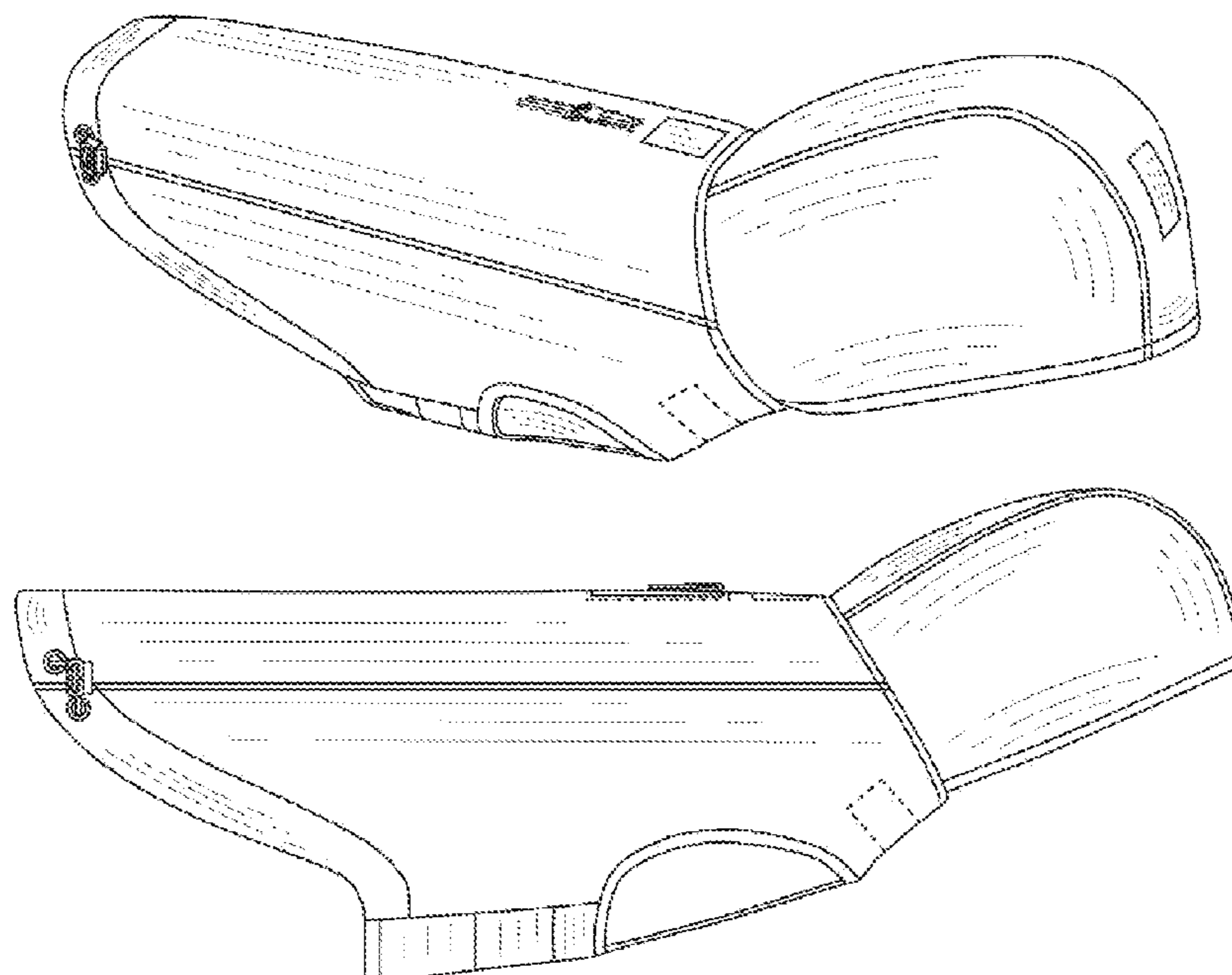
FIG. 5 is a right view of the pet clothes.

FIG. 6 is a top view of the pet clothes; and,

FIG. 7 is a bottom view of the pet clothes.

The broken lines illustrate portions of the pet clothes that form no part of the claimed design.

1 Claim, 7 Drawing Sheets



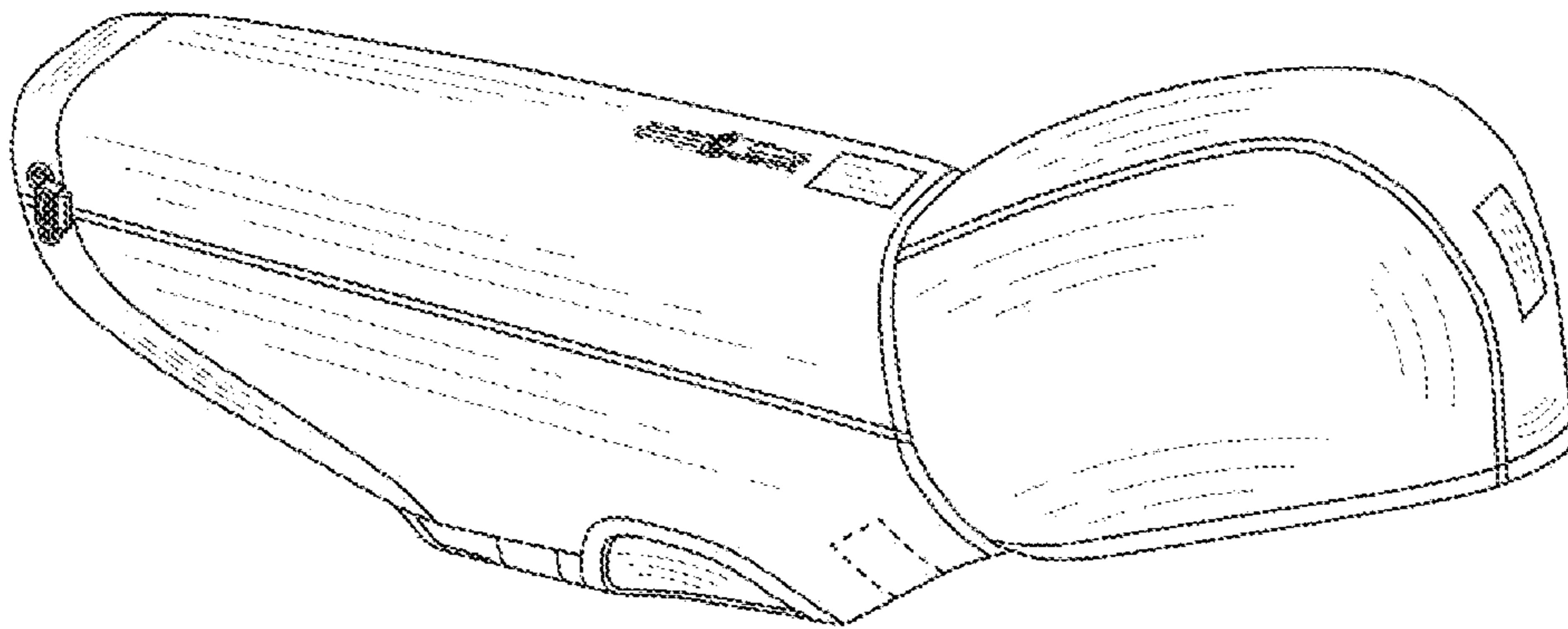


FIG. 1

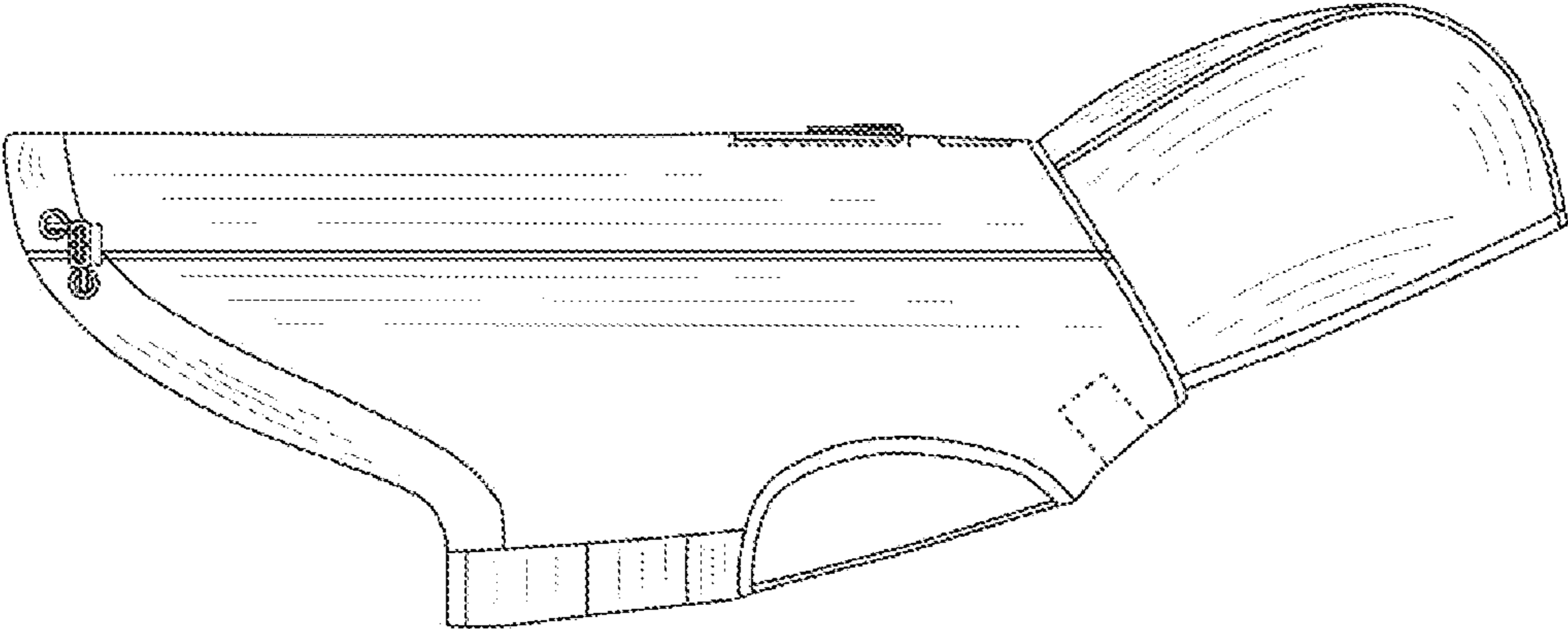


FIG. 2

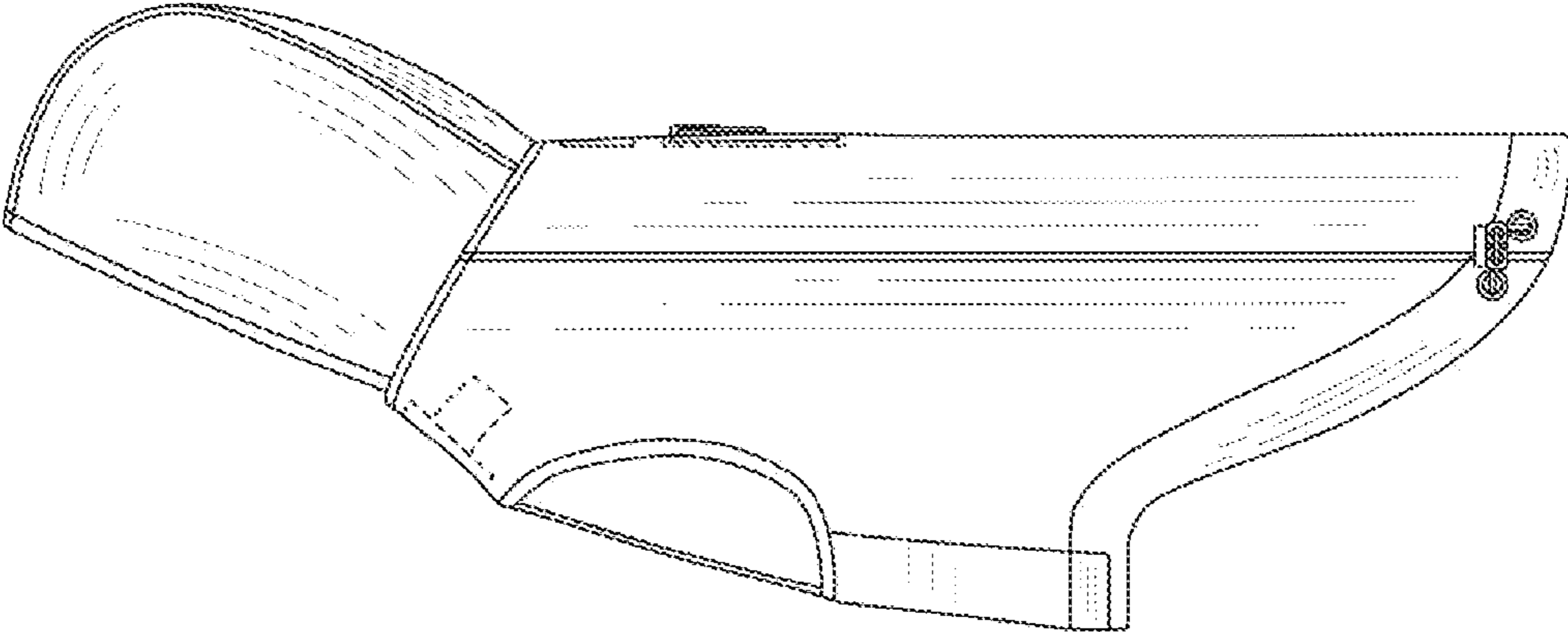


FIG. 3

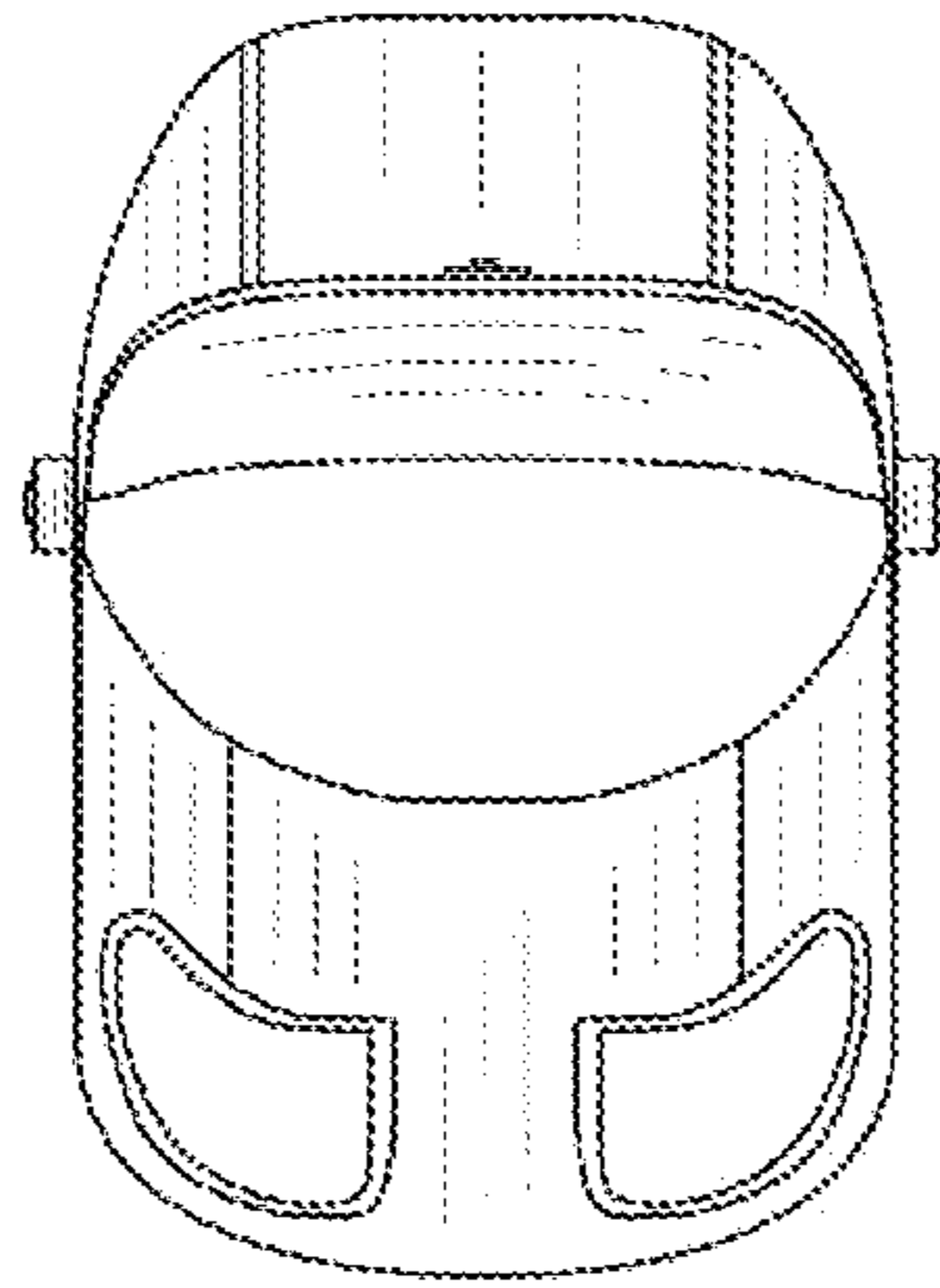


FIG. 4

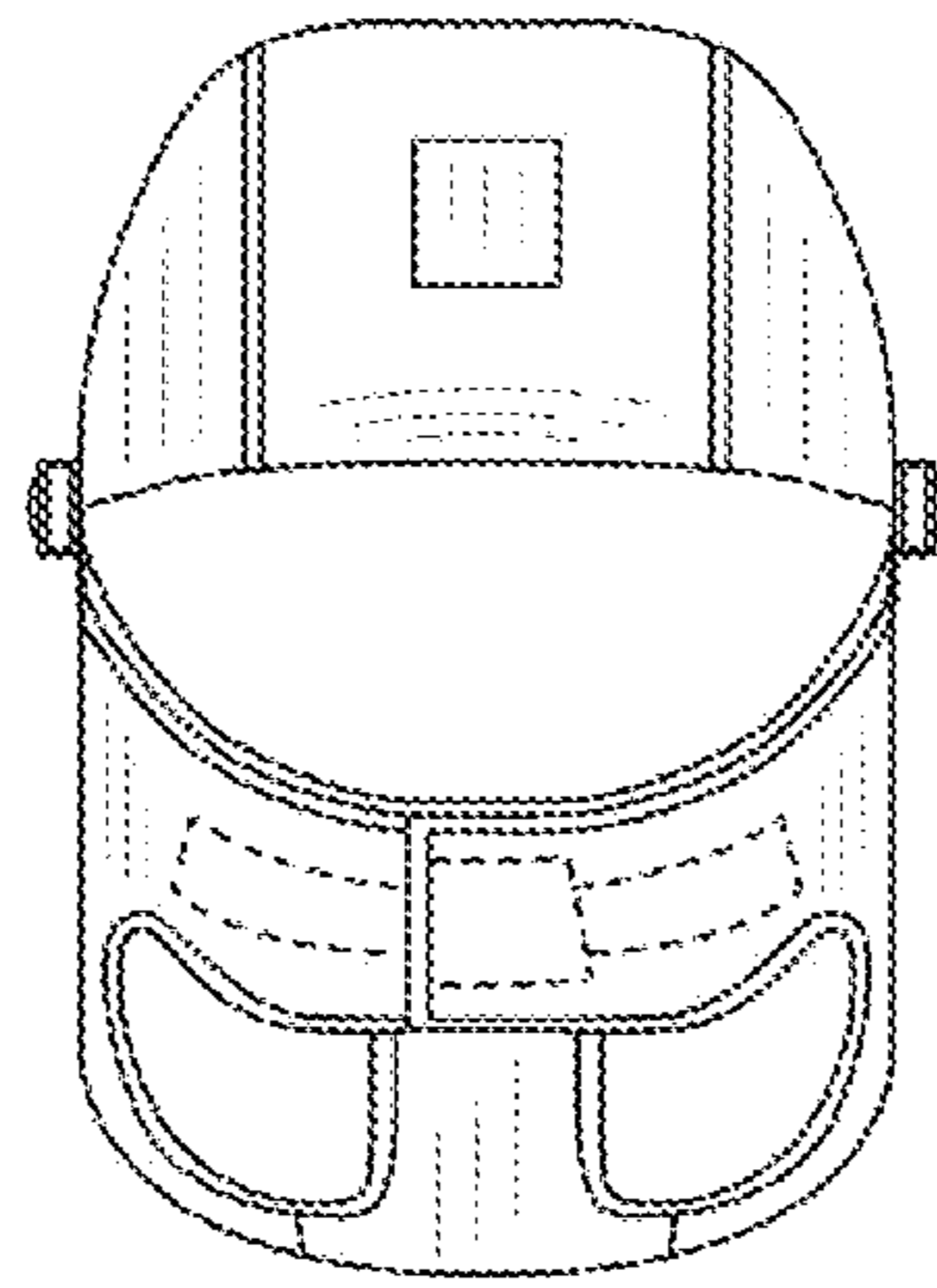


FIG. 5

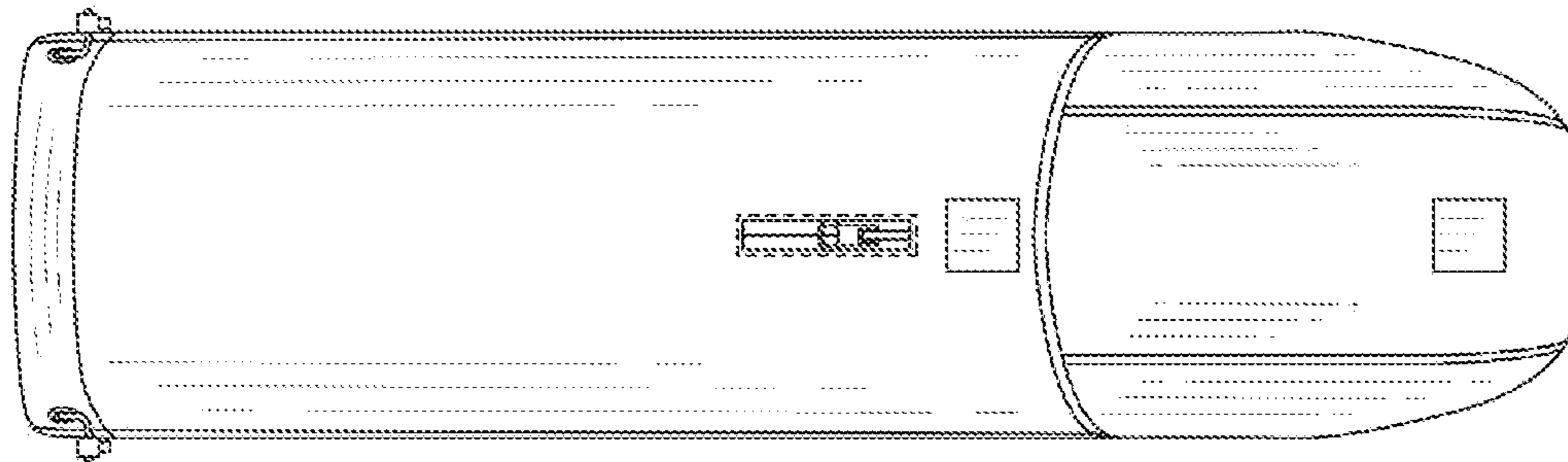


FIG. 6

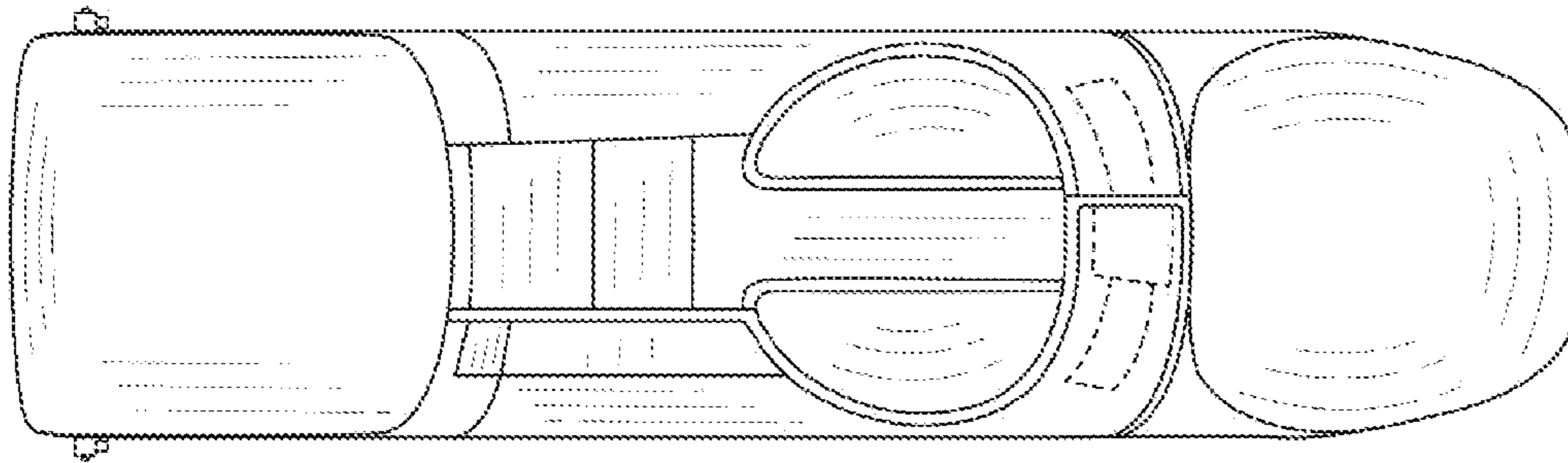


FIG. 7