



US0D1048500S

(12) **United States Design Patent** (10) **Patent No.:** **US D1,048,500 S**
Yin (45) **Date of Patent:** **** Oct. 22, 2024**

(54) **SOLAR INFLATABLE LIGHT**

FOREIGN PATENT DOCUMENTS

(71) Applicant: **SHENZHEN LANYONG INTELLIGENT TECHNOLOGY CO., LTD.**, Shenzhen (CN)

CN	306689039	*	7/2021
CN	306827630	*	9/2021
CN	307352464	*	5/2022
CN	307459649	*	7/2022
CN	308287258	*	10/2023

(72) Inventor: **Shunjin Yin**, Shenzhen (CN)

(**) Term: **15 Years**

OTHER PUBLICATIONS

(21) Appl. No.: **29/823,573**

“Floating” reference by Gep Sales on Amazon.com, date first available May 20, 2022 [online], site visited Dec. 7, 2023, available from internet URL: <https://www.amazon.com/Floating-Pool-Thermometer-LED-Light/dp/B0B1VHSLQZ> (Year: 2022).*

(22) Filed: **Jan. 18, 2022**

“TriPro” reference on Amazon.com, date first available Jun. 20, 2023 [online], site visited Dec. 7, 2023, available from internet URL: <https://www.amazon.com/TriPro-Ocean-Nursery-Silicone-Squishy/dp/B0CCRGBHFK> (Year: 2023).*

(51) **LOC (14) Cl.** **26-05**

(52) **U.S. Cl.**
USPC **D26/67; D26/98**

(58) **Field of Classification Search**
USPC D26/24, 60, 72, 85, 88, 89, 91, 93, 104, D26/106, 110, 73, 94, 98
CPC F21S 6/00; F21S 8/00; F21S 8/03; F21S 8/033; F21S 9/00; F21S 9/03; F21K 9/00
See application file for complete search history.

* cited by examiner

Primary Examiner — Natasha Vujcic
Assistant Examiner — Liv C Anderson

(56) **References Cited**

(57) **CLAIM**

The ornamental design for a solar inflatable light as shown and described.

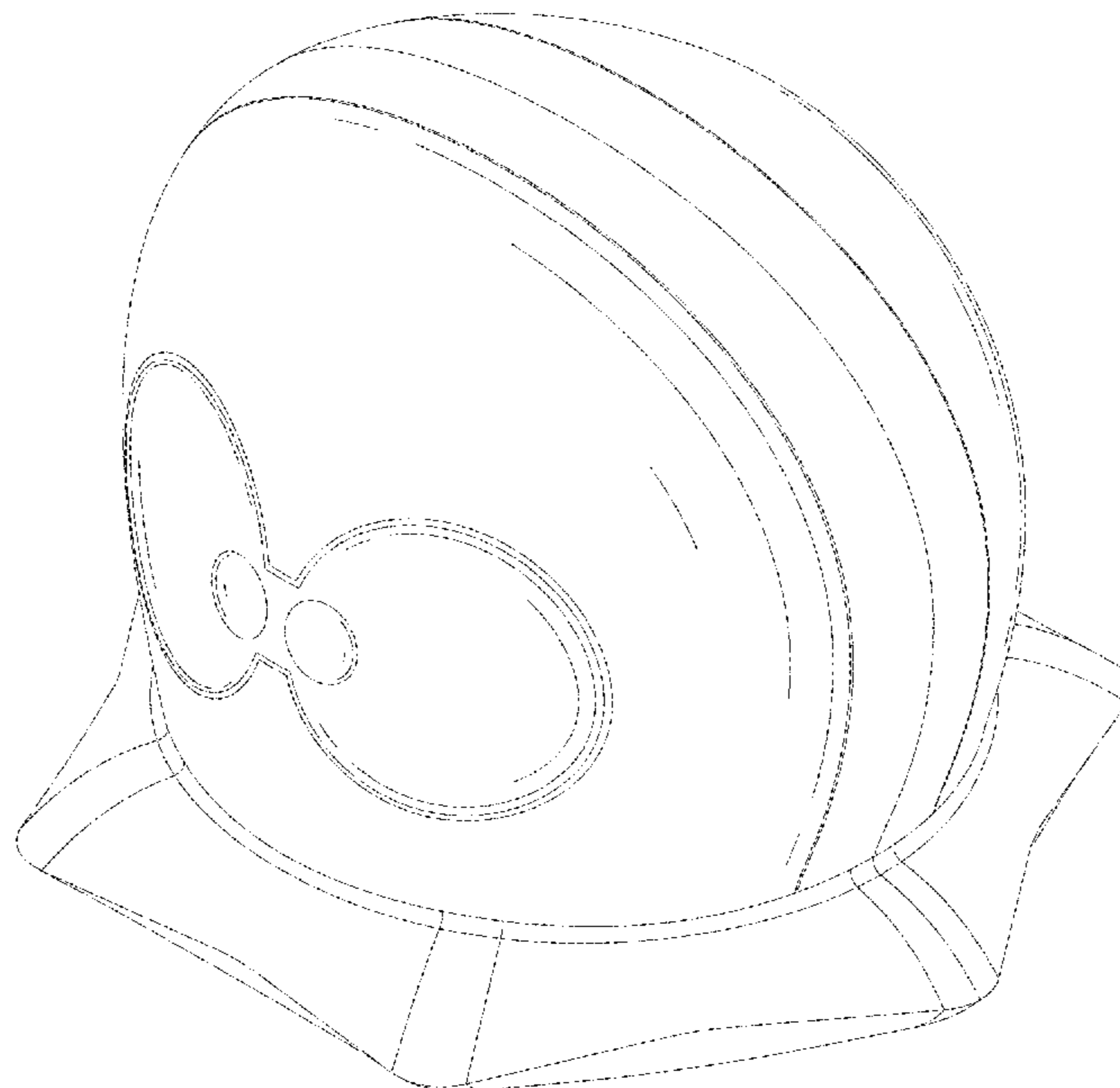
U.S. PATENT DOCUMENTS

DESCRIPTION

D411,322 S *	6/1999	Suzuki	D26/37
D500,537 S *	1/2005	Fong	D21/585
D714,881 S *	10/2014	Michalowski	D21/606
D813,002 S *	3/2018	Malaspino	D8/40
D861,964 S *	10/2019	Lin	D26/110
D890,405 S *	7/2020	Wanders	D26/98
D968,518 S *	11/2022	Liao	D21/455
D972,181 S *	12/2022	Lin	D26/104
D985,175 S *	5/2023	Che	D26/98
D994,955 S *	8/2023	Lin	D26/104
D994,958 S *	8/2023	Wang	D26/110
D997,775 S *	9/2023	Yoshida	D26/93
D998,860 S *	9/2023	Lin	D26/104
D1,002,077 S *	10/2023	Sun	D26/104

FIG. 1 is a front, right side, top perspective view of a solar inflatable light showing my new design; FIG. 2 is a front elevational view thereof; FIG. 3 is a rear elevational view thereof; FIG. 4 is a left side elevational view thereof; FIG. 5 is a right side elevational view thereof; FIG. 6 is a top plan view thereof; and, FIG. 7 is a bottom plan view thereof. The broken lines depict portions of the solar inflatable light that form no part of the claimed design.

1 Claim, 7 Drawing Sheets



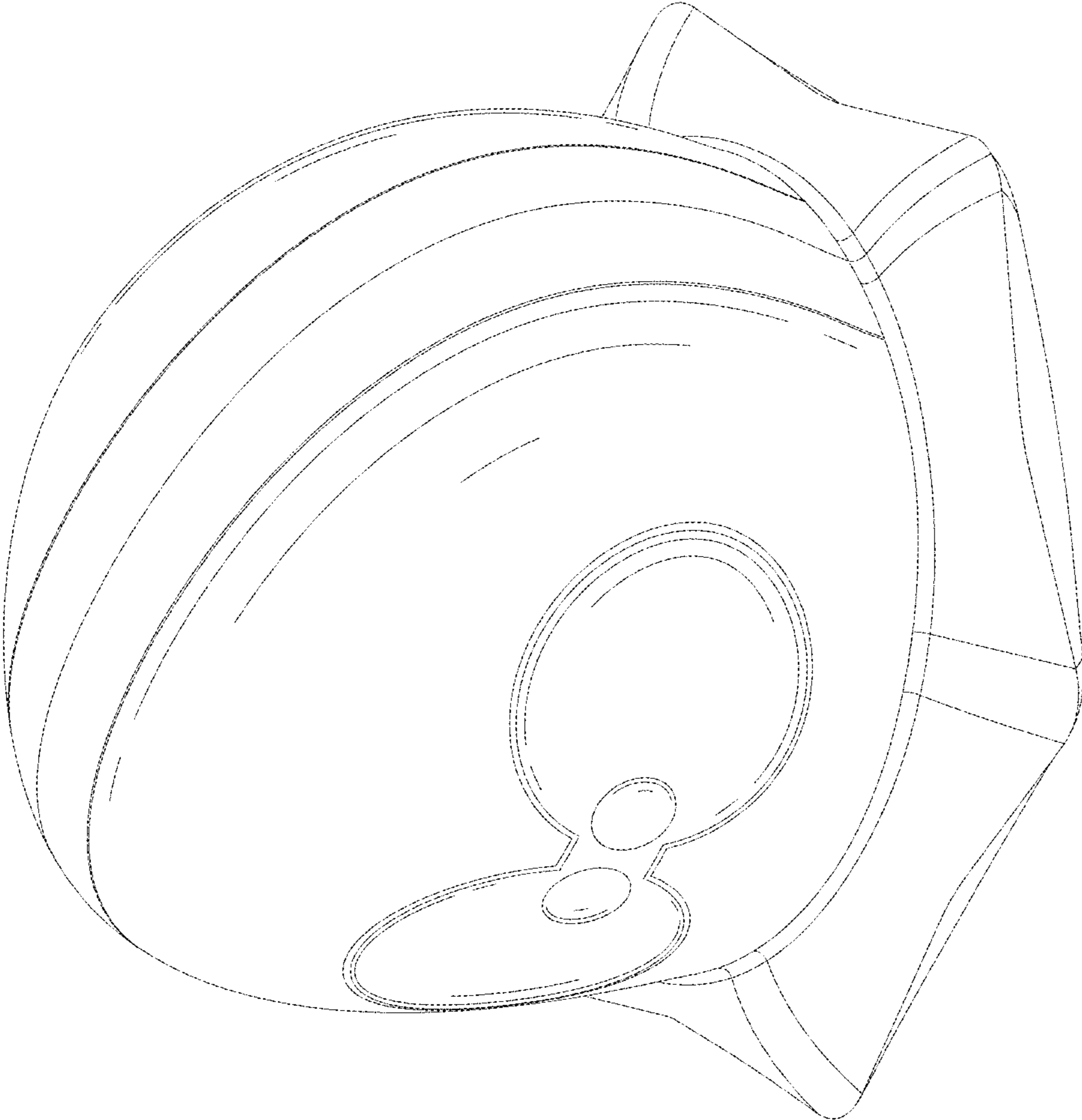


FIG. 1

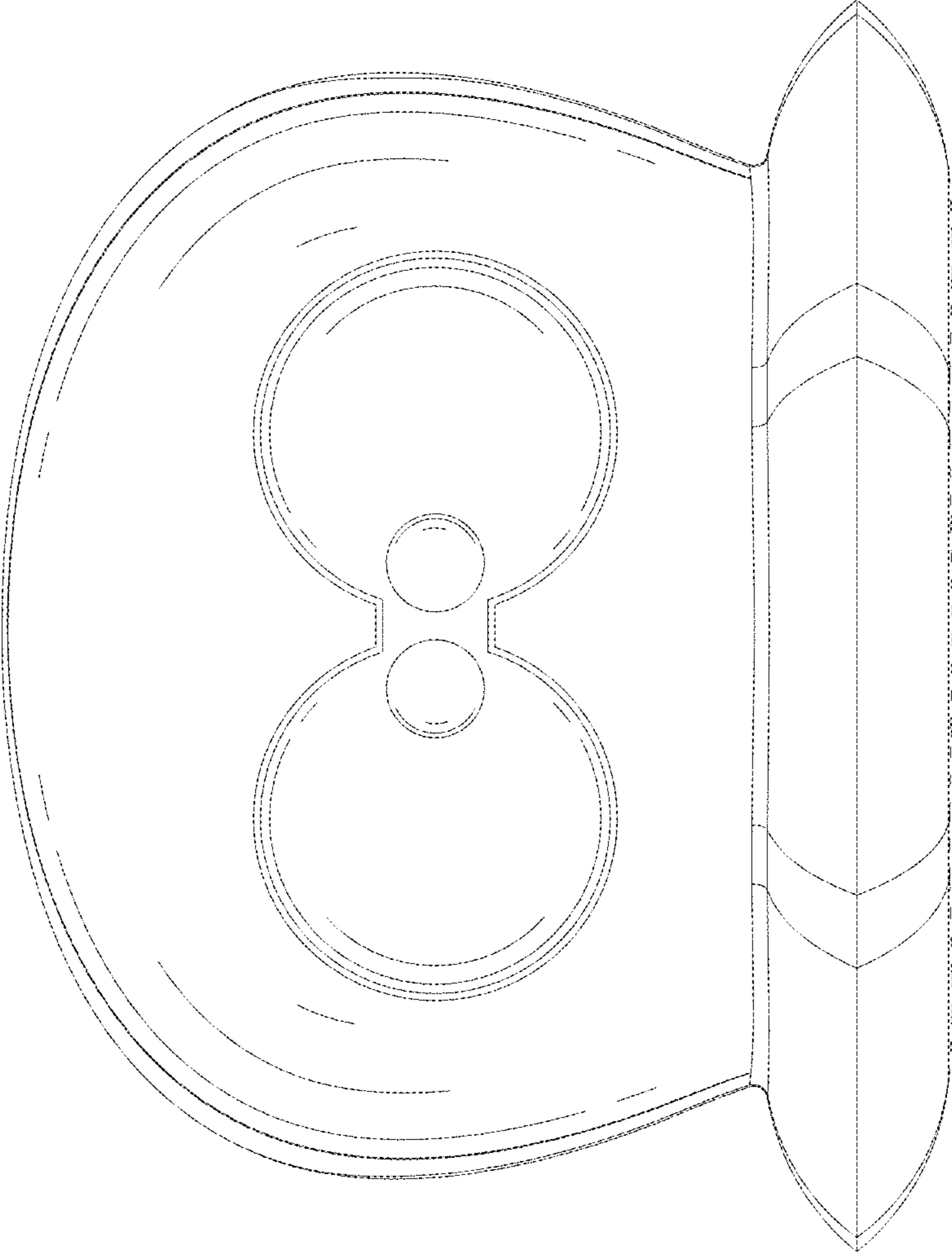


FIG.2

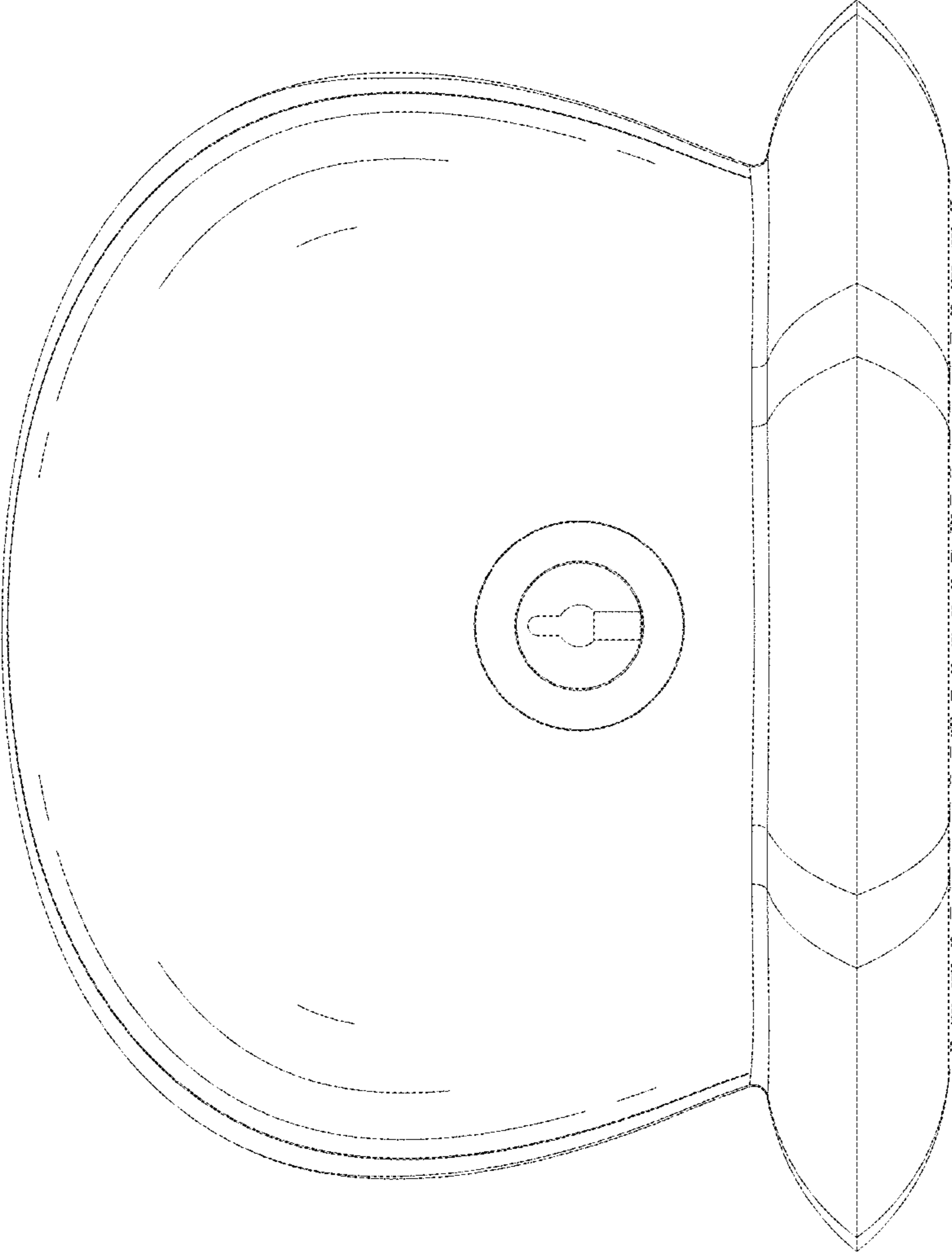


FIG. 3

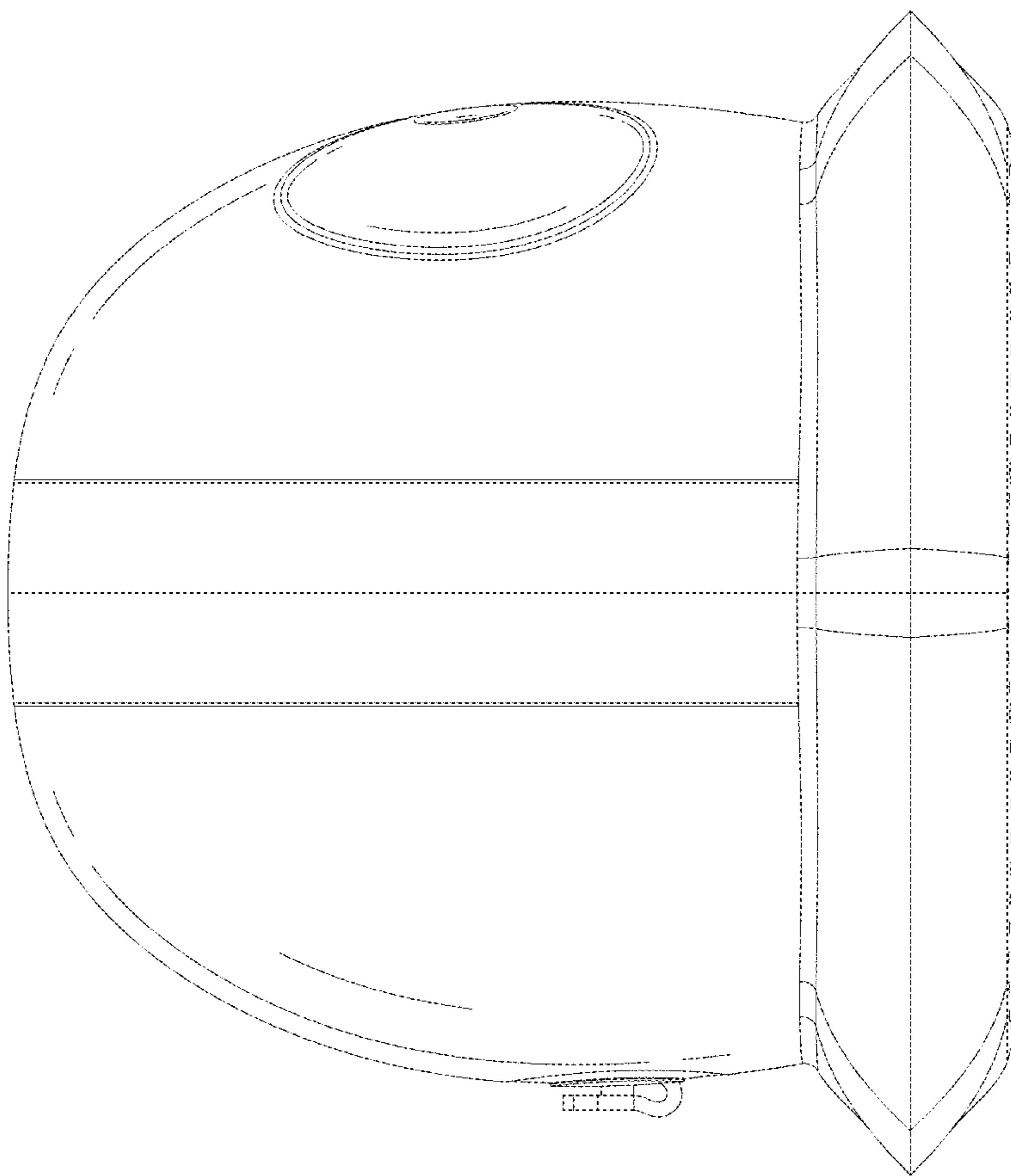


FIG.4

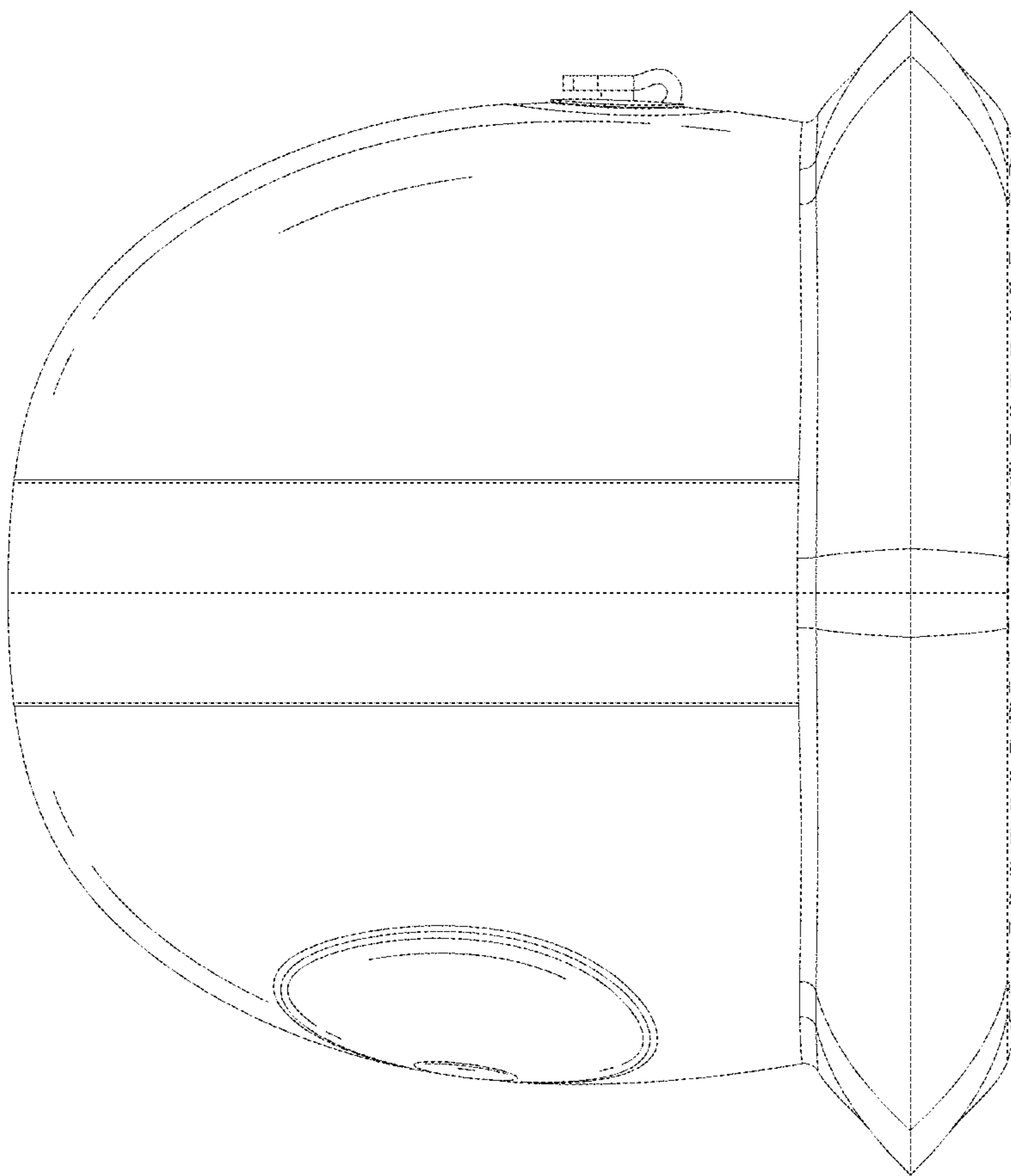


FIG. 5

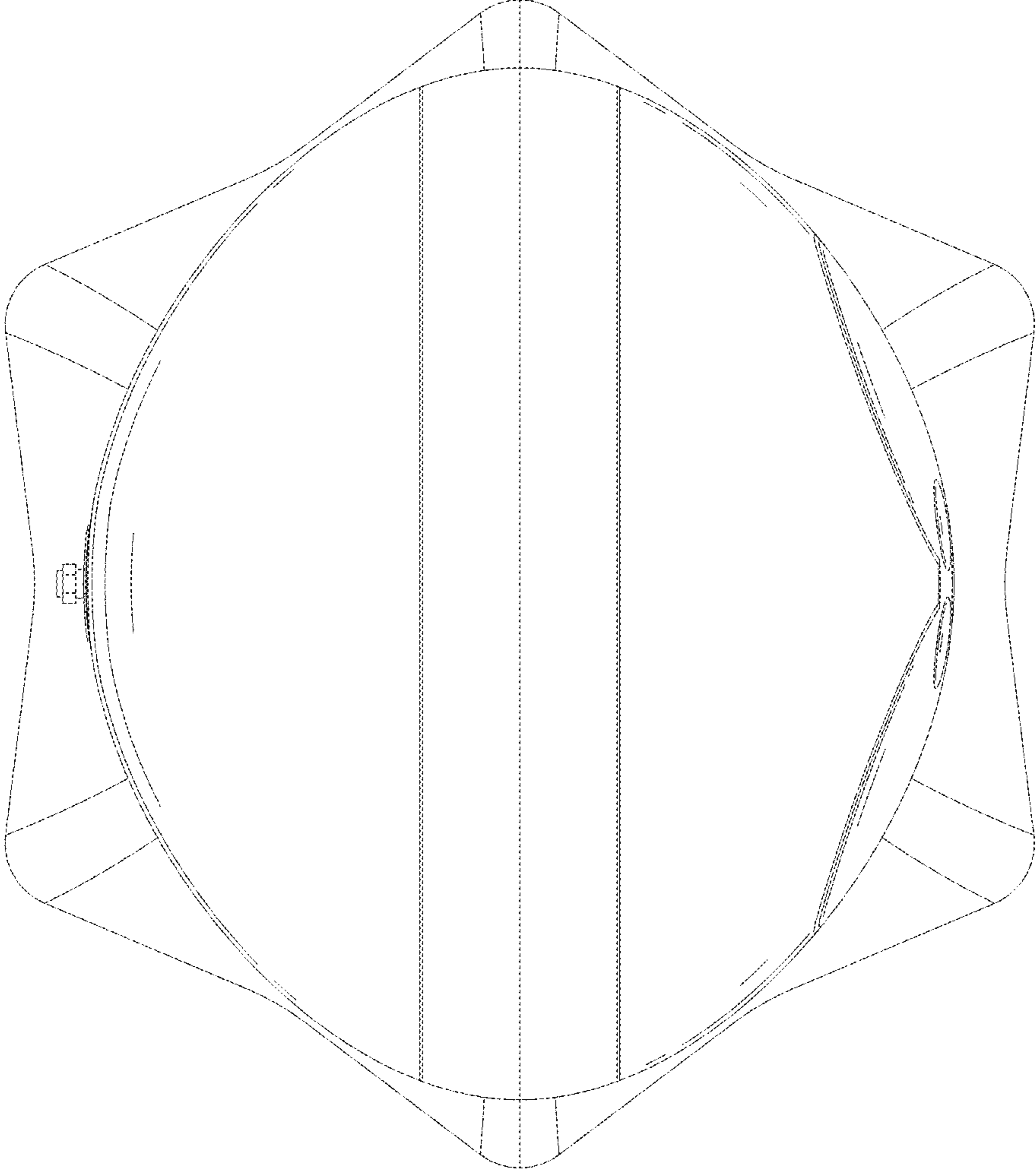


FIG. 6

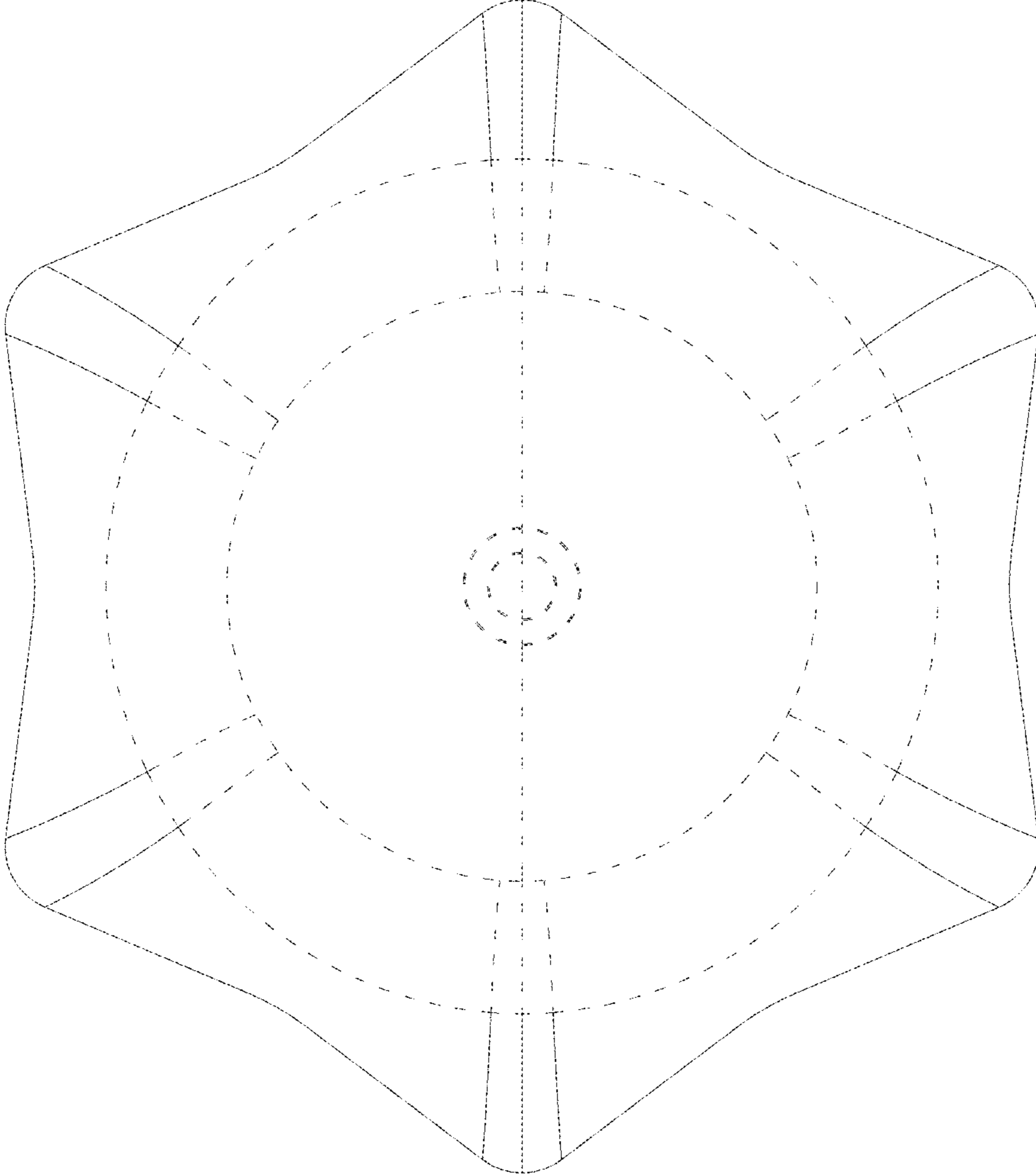


FIG. 7