



US0D1048385S

(12) **United States Design Patent** (10) **Patent No.:** **US D1,048,385 S**  
**Delobelle et al.** (45) **Date of Patent:** **\*\* Oct. 22, 2024**

(54) **ON-BODY FILLABLE INJECTOR**  
(71) Applicant: **Becton, Dickinson and Company,**  
Franklin Lakes, NJ (US)  
(72) Inventors: **Vincent Delobelle,** Domene (FR);  
**Eleanor Bainton,** Kinton (GB); **James**  
**Leslie Rhodri Jones,** Pencader (GB);  
**Daniel Paul Jenkins,** St Albans (GB);  
**Zoe Georgina Armstrong,** Market  
Drayton (GB); **Malcolm Stanley Boyd,**  
Wellesbourne (GB)

2014/0200510 A1\* 7/2014 Agard ..... A61M 5/3157  
604/152  
2019/0083702 A1\* 3/2019 Nekouzadeh ..... A61M 5/20  
2021/0393871 A1\* 12/2021 Streit ..... A61M 5/1452  
2021/0393873 A1\* 12/2021 Streit ..... A61M 5/14248  
2022/0143303 A1\* 5/2022 Russo ..... A61M 5/445  
2023/0285664 A1\* 9/2023 Buri ..... A61M 5/172

**FOREIGN PATENT DOCUMENTS**

EM 015018320-0001 \* 4/2023  
EM 015025629-0002 \* 7/2023  
GB 6275602 \* 4/2023

**OTHER PUBLICATIONS**

“On-Body Injector Development,” Novo Engineering, [post date:  
Mar. 3, 2021], [Site seen: Feb. 13, 2024], Seen at URL: <https://novoengineering.com/portfolio/on-body-injector-development/> (Year:  
2021).\*

(Continued)

*Primary Examiner* — Natasha Vujcic  
*Assistant Examiner* — Gilbert B Ford

(74) *Attorney, Agent, or Firm* — The Webb Law Firm

(73) Assignee: **Becton, Dickinson and Company,**  
Franklin Lakes, NJ (US)

(\*\*) Term: **15 Years**

(21) Appl. No.: **29/881,371**

(22) Filed: **Dec. 30, 2022**

(51) **LOC (14) Cl.** ..... **24-02**

(52) **U.S. Cl.**  
USPC ..... **D24/113**

(58) **Field of Classification Search**  
USPC ..... D24/112–114, 133, 186, 130  
CPC ..... A61M 5/3156; A61M 5/31591; A61M  
5/3155; A61M 5/3157; A61M 5/31501;  
A61M 5/14566

See application file for complete search history.

(56) **References Cited**

**U.S. PATENT DOCUMENTS**

D805,187 S \* 12/2017 Costello ..... D24/113  
D813,380 S \* 3/2018 Stonecipher ..... D24/113  
D877,892 S \* 3/2020 Stonecipher ..... D24/112  
D882,765 S \* 4/2020 Farris ..... D24/113  
D924,390 S \* 7/2021 Kolenda ..... D24/111  
D938,578 S \* 12/2021 Kolenda ..... D24/111  
11,607,505 B1 \* 3/2023 West ..... A61K 38/18  
D1,010,106 S \* 1/2024 Yang ..... D24/111

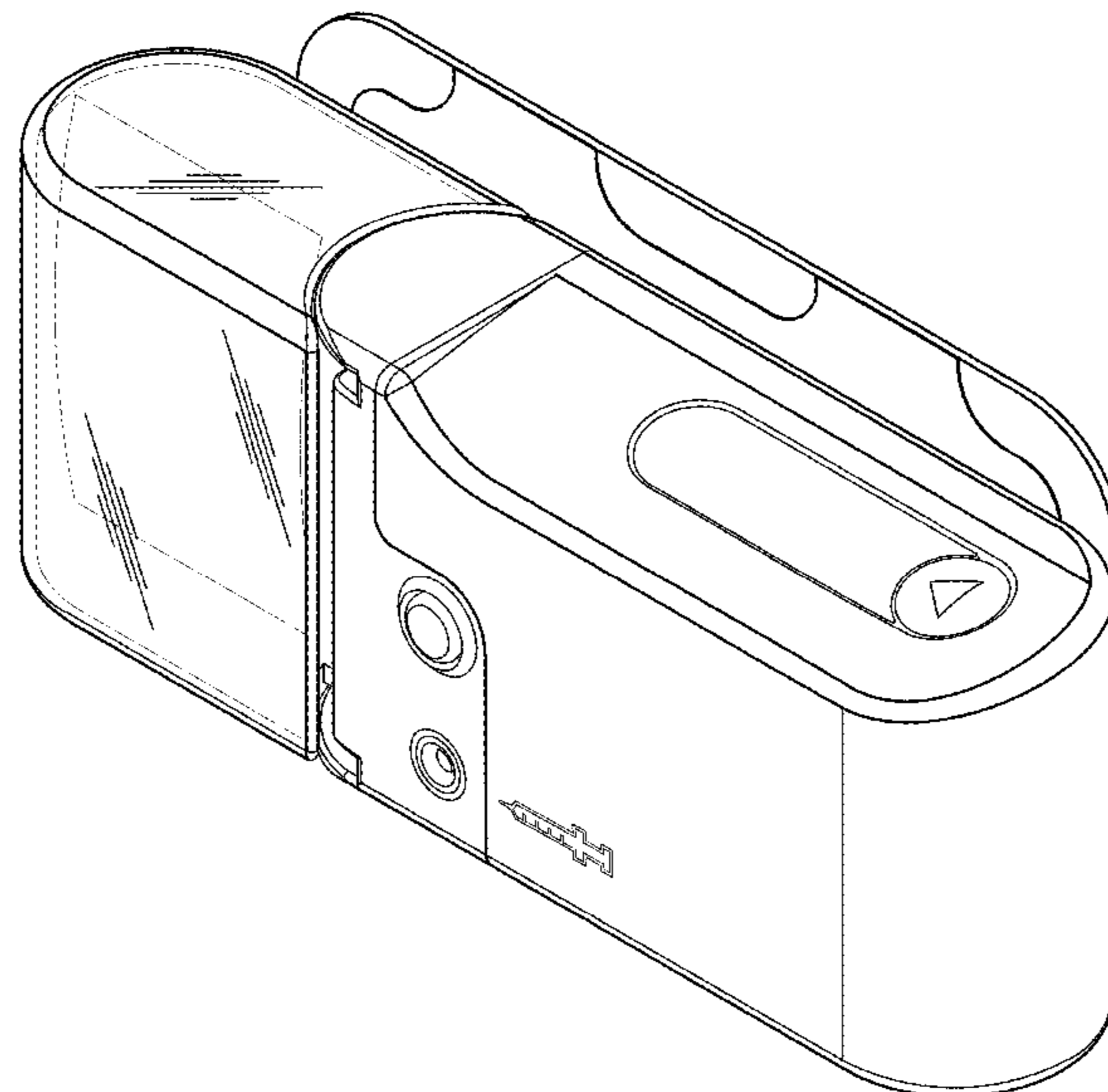
(57) **CLAIM**

The ornamental design for an on-body fillable injector, as  
shown and described.

**DESCRIPTION**

FIG. 1 is a front perspective view of an on-body fillable  
injector, showing our new design;  
FIG. 2 is a rear perspective view thereof;  
FIG. 3 is a front view thereof;  
FIG. 4 is a top view thereof;  
FIG. 5 is a side view thereof;  
FIG. 6 is a side view thereof;  
FIG. 7 is a rear view thereof; and,  
FIG. 8 is a bottom view thereof.

**1 Claim, 7 Drawing Sheets**



(56)

**References Cited**

OTHER PUBLICATIONS

“Wearable injectors news and trends, Springboards,” Springboard, [Post date: Sep. 26, 2022], [Site seen: Feb. 13, 2024], Seen at URL: <https://www.springboard.pro/wearable-injectors-news-and-trends/> (Year: 2022).\*

“Wearable Injectors,” ON Drug Delivery, [Post date: Sep. 1, 2020], [Site seen: Feb. 13, 2024], Seen at URL: <https://www.ondrugdelivery.com/wp-content/uploads/2020/09/Wearable-Injectors-ONdrug-Delivery-Issue-111-Sep-2020.pdf> (Year: 2020).\*

\* cited by examiner

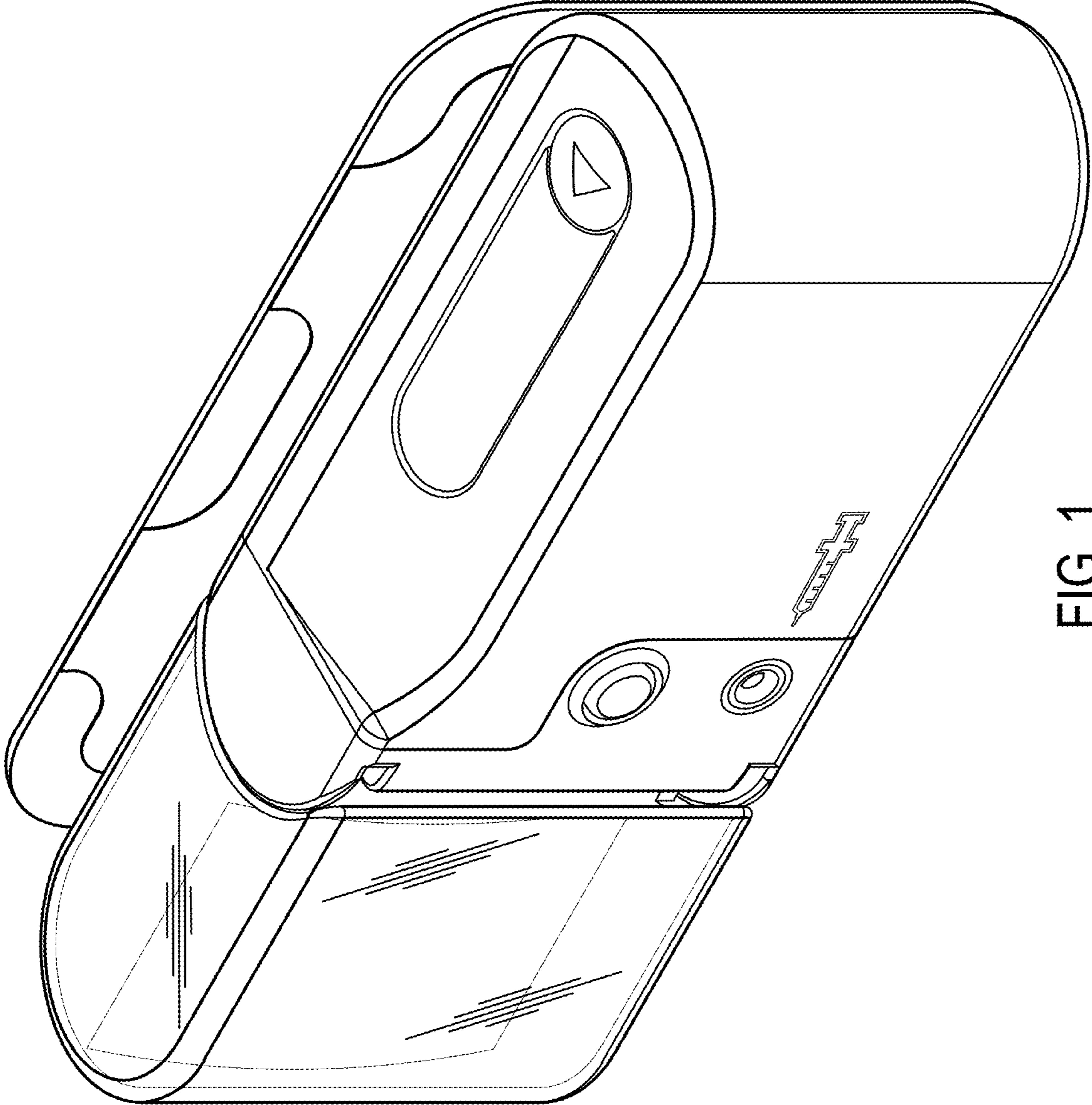


FIG. 1

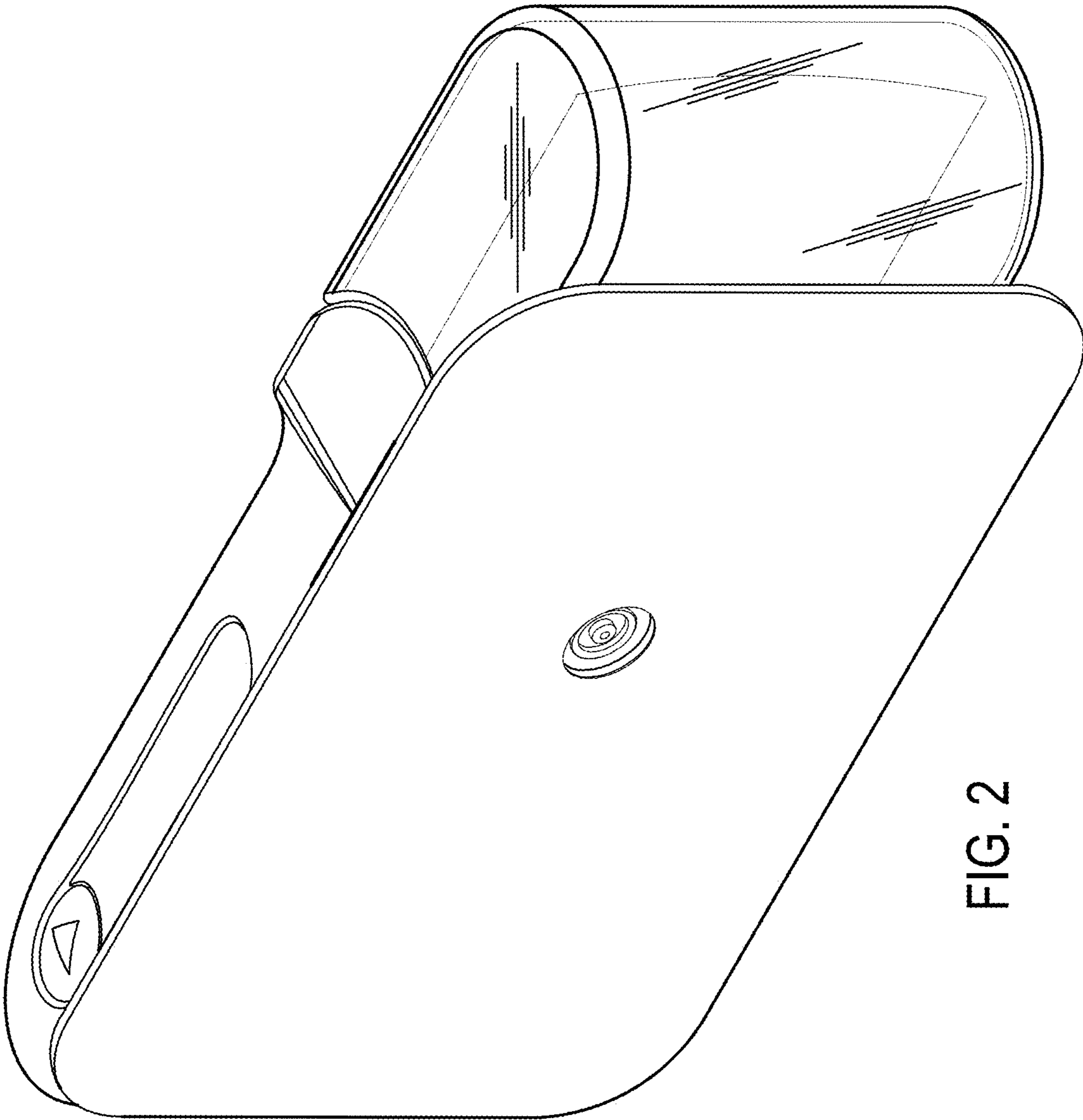


FIG. 2

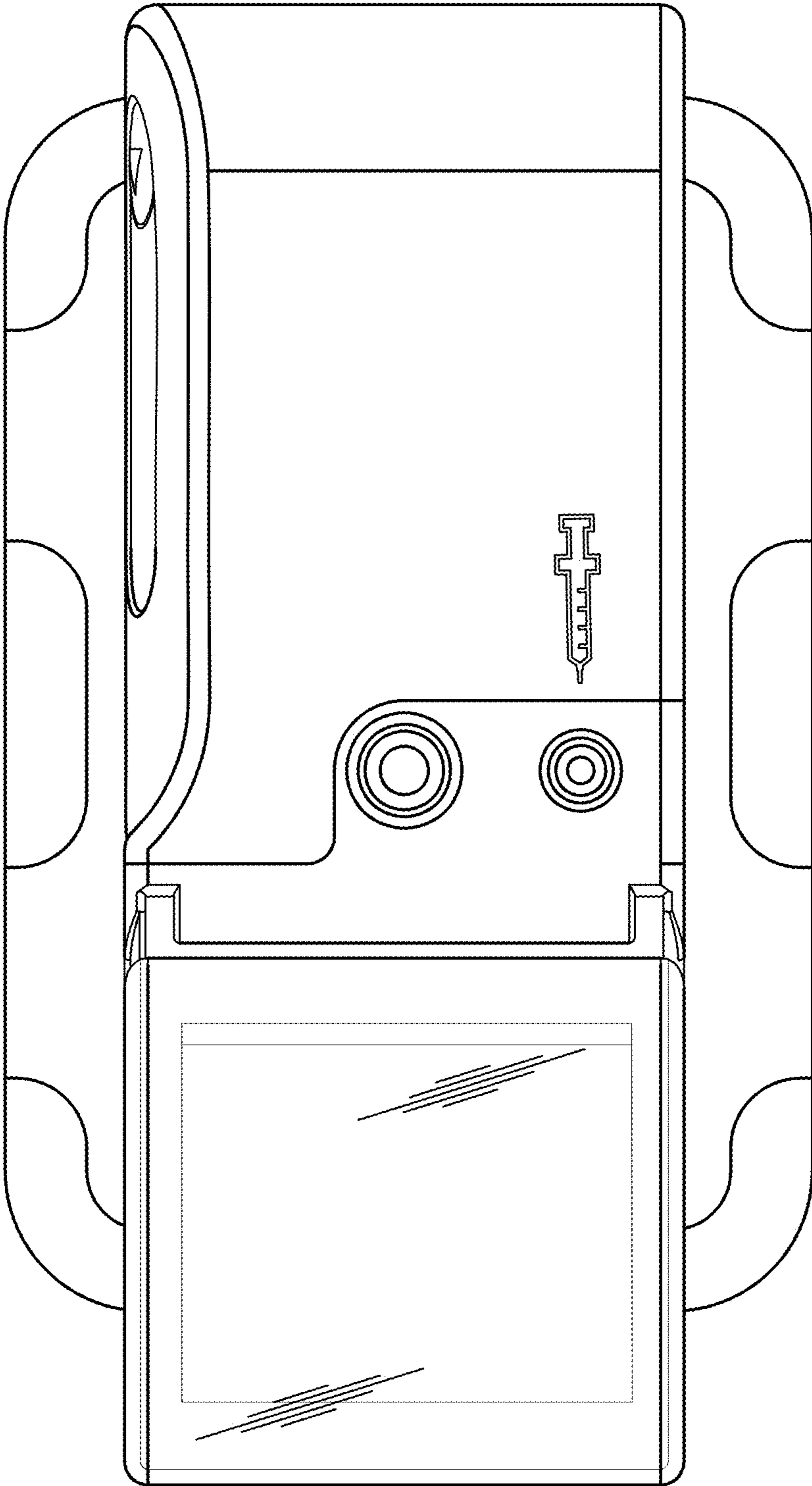


FIG. 3

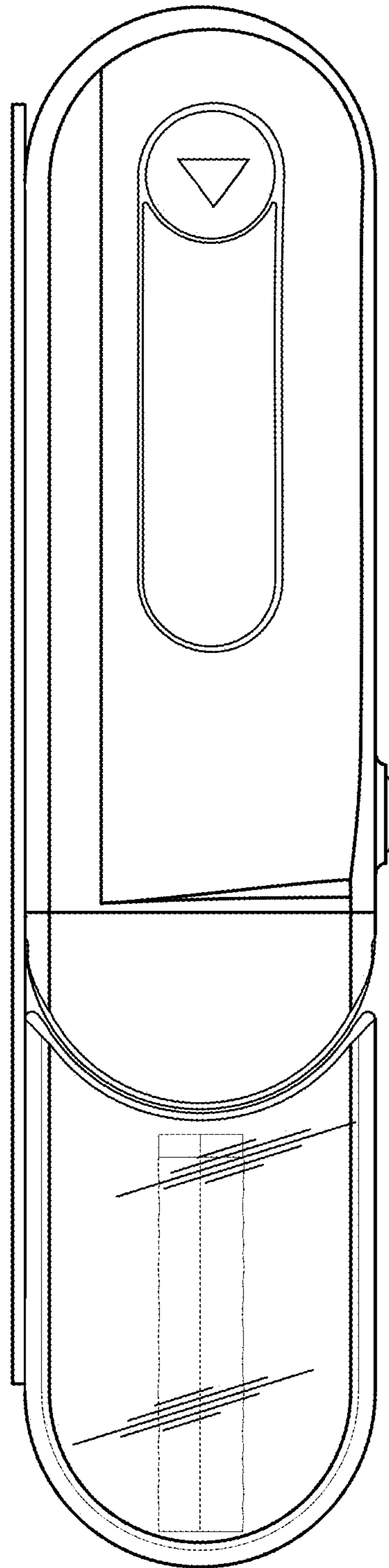


FIG. 4

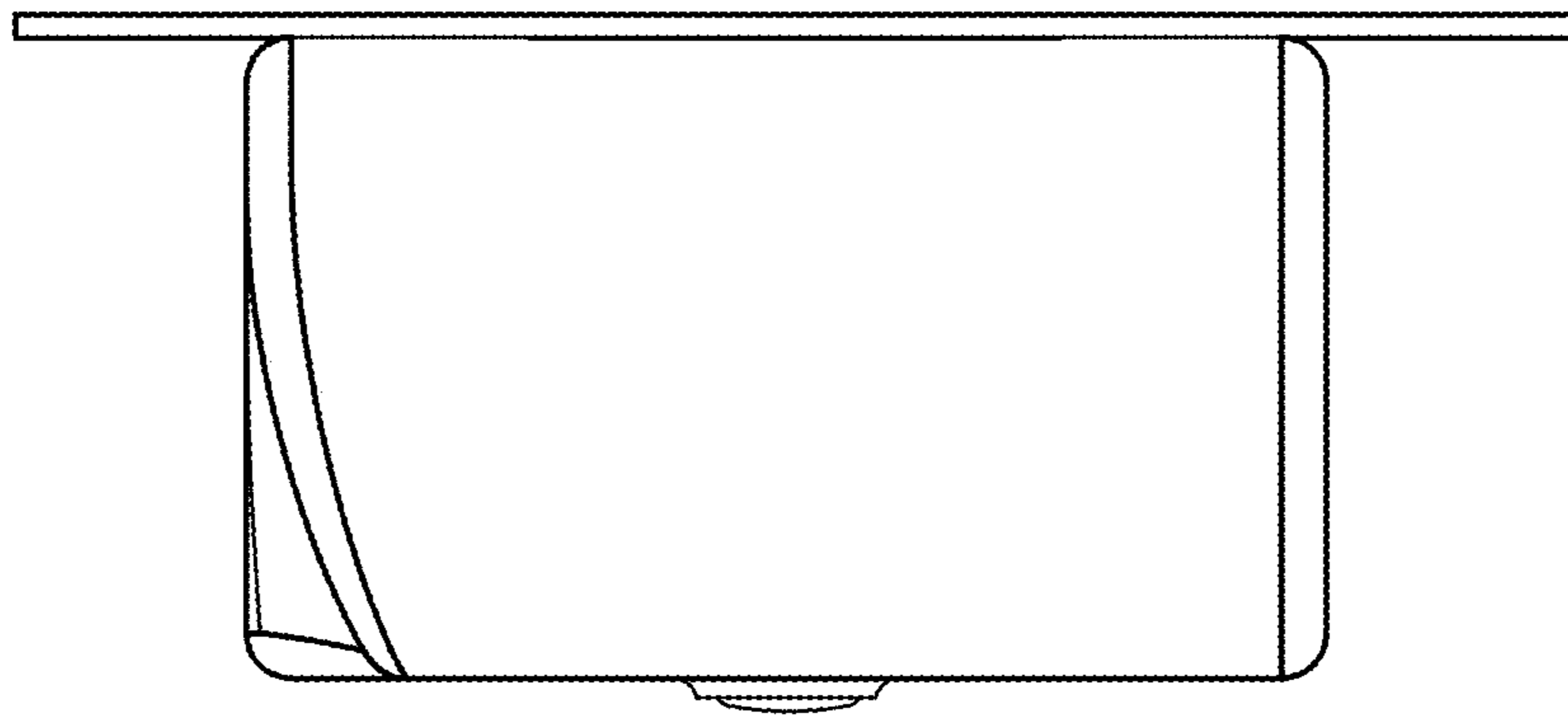


FIG. 6

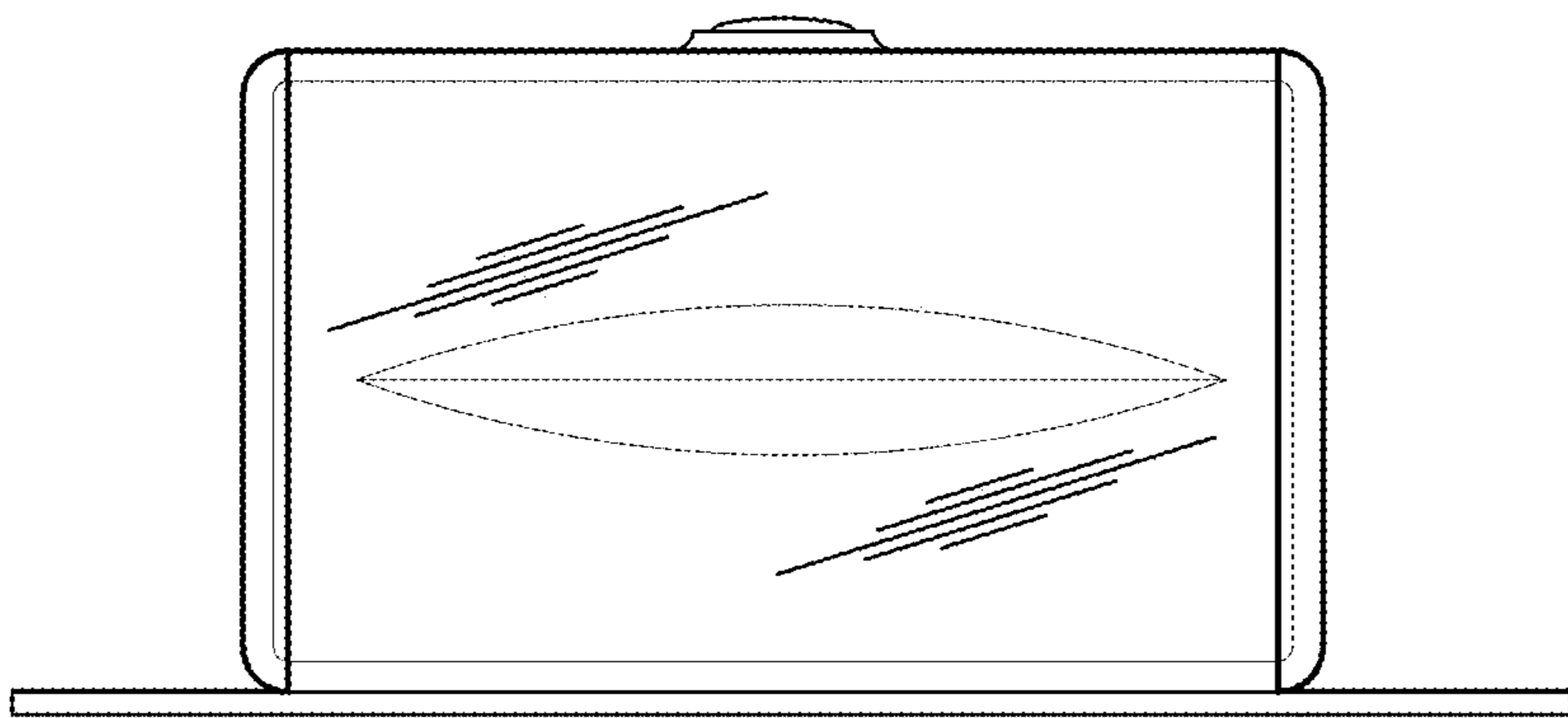


FIG. 5

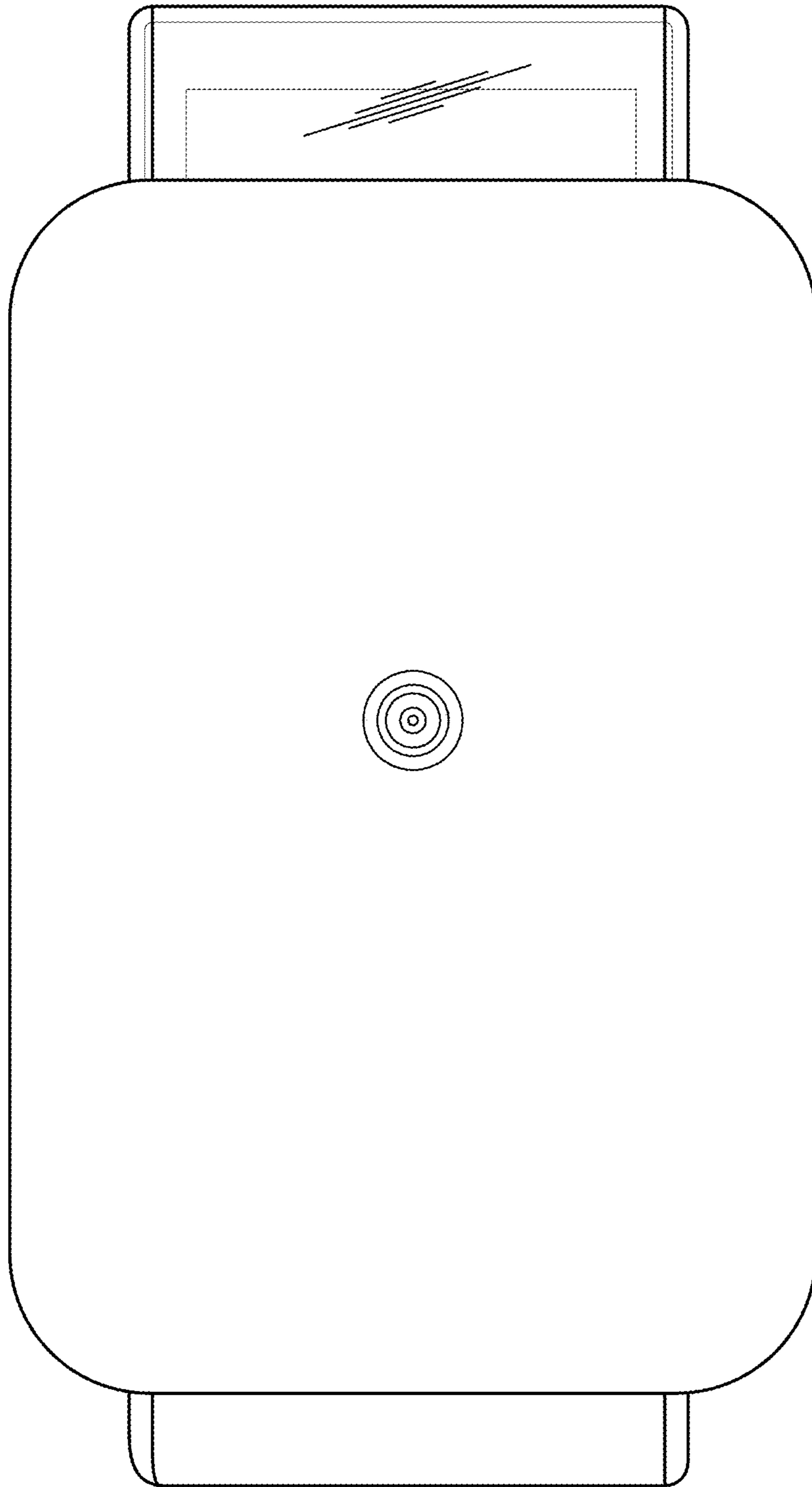


FIG. 7



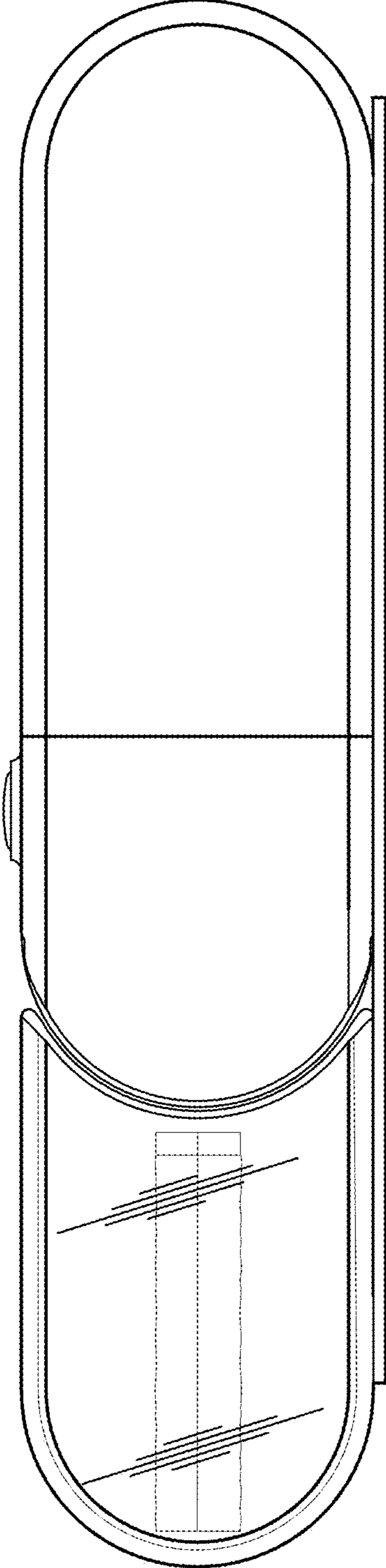


FIG. 8