



US0D1048383S

(12) **United States Design Patent** (10) **Patent No.:** **US D1,048,383 S**
Delobelle et al. (45) **Date of Patent:** **** Oct. 22, 2024**

(54) **ON-BODY FILLABLE INJECTOR**
(71) Applicant: **Becton, Dickinson and Company,**
Franklin Lakes, NJ (US)

2014/0200510 A1* 7/2014 Agard A61M 5/3157
604/152
2019/0083702 A1* 3/2019 Nekouzadeh A61M 5/20
2021/0393871 A1* 12/2021 Streit A61M 5/1452
(Continued)

(72) Inventors: **Vincent Delobelle**, Domene (FR);
Eleanor Bainton, Kinton (GB); **James**
Leslie Rhodri Jones, Pencader (GB);
Daniel Paul Jenkins, St Albans (GB);
Zoe Georgina Armstrong, Market
Drayton (GB); **Malcolm Stanley Boyd**,
Wellesbourne (GB)

FOREIGN PATENT DOCUMENTS

EM 015018320-0001 * 4/2023
EM 015025629-0002 * 7/2023
GB 6275602 * 4/2023

(73) Assignee: **Becton, Dickinson and Company,**
Franklin Lakes, NJ (US)

OTHER PUBLICATIONS
“On-Body Injector Development,” Novo Engineering, [post date:
Mar. 3, 2021], [Site seen: Feb. 13, 2024], Seen at URL: <https://novoengineering.com/portfolio/on-body-injector-development/> (Year:
2021).*

(**) Term: **15 Years**

(Continued)

(21) Appl. No.: **29/881,363**

Primary Examiner — Natasha Vujcic

(22) Filed: **Dec. 30, 2022**

Assistant Examiner — Gilbert B Ford

(51) **LOC (14) Cl.** **24-02**

(74) *Attorney, Agent, or Firm* — The Webb Law Firm

(52) **U.S. Cl.**

(57) **CLAIM**

USPC **D24/113**

The ornamental design for an on-body fillable injector, as
shown and described.

(58) **Field of Classification Search**

DESCRIPTION

USPC D24/112–114, 133, 186, 130
CPC A61M 5/3156; A61M 5/31591; A61M
5/3155; A61M 5/3157; A61M 5/31501;
A61M 5/14566

FIG. 1 is a front perspective view of an on-body fillable
injector, showing our new design;
FIG. 2 is a rear perspective view thereof;
FIG. 3 is a front view thereof;
FIG. 4 is a top view thereof;
FIG. 5 is a side view thereof;
FIG. 6 is a side view thereof;
FIG. 7 is a rear view thereof; and,
FIG. 8 is a bottom view thereof.

See application file for complete search history.

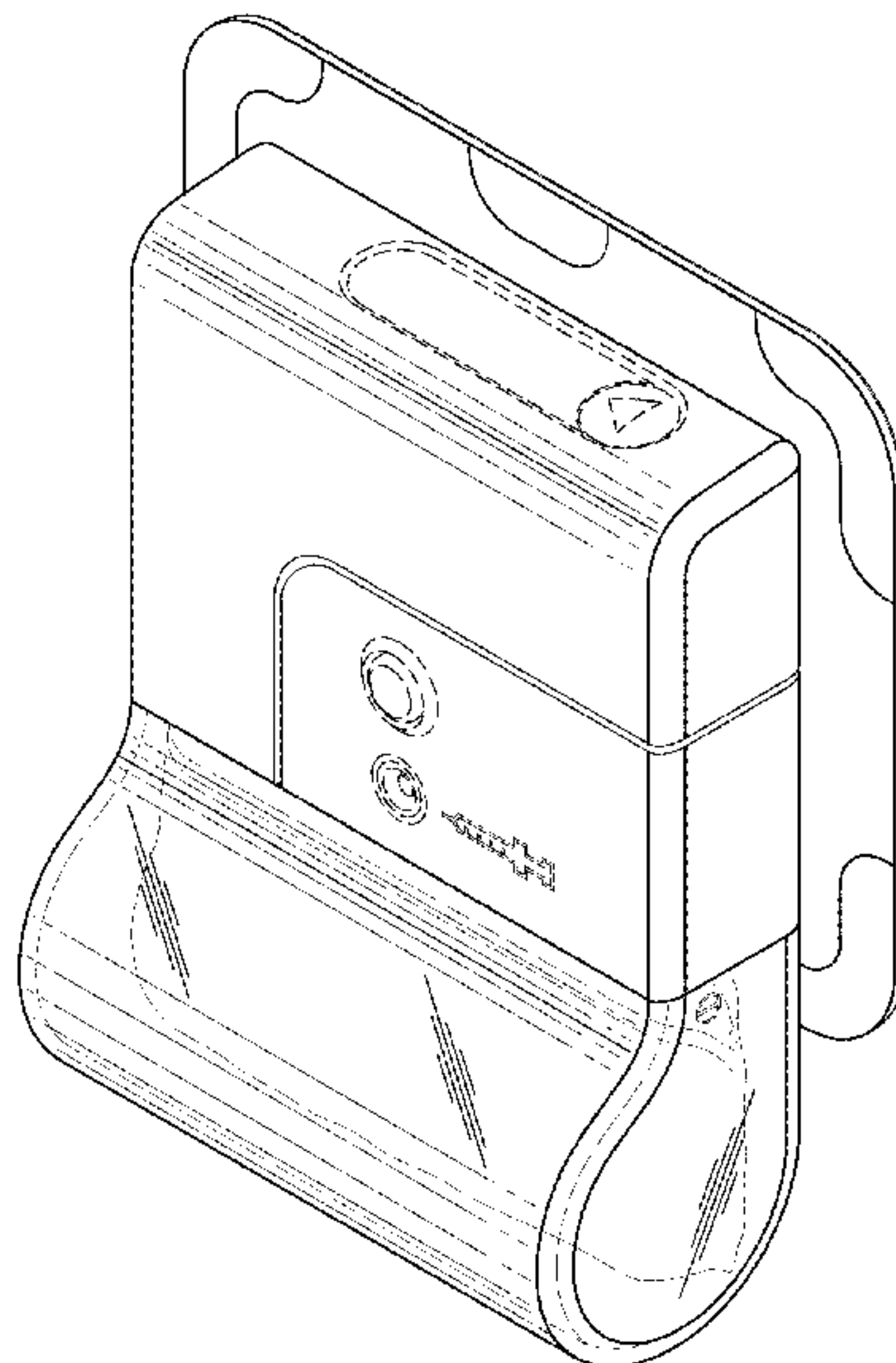
Portions of the on-body fillable injector shown in dashed
lines in FIGS. 1-7 depict unclaimed portions of the on-body
fillable injector that are included for environmental purposes
only.

(56) **References Cited**

U.S. PATENT DOCUMENTS

D805,187 S * 12/2017 Costello D24/113
D813,380 S * 3/2018 Stonecipher D24/113
D877,892 S * 3/2020 Stonecipher D24/112
D882,765 S * 4/2020 Farris D24/113
D924,390 S * 7/2021 Kolenda D24/111
D938,578 S * 12/2021 Kolenda D24/111
11,607,505 B1 * 3/2023 West A61K 38/18
D1,010,106 S * 1/2024 Yang D24/111

1 Claim, 7 Drawing Sheets



(56)

References Cited

U.S. PATENT DOCUMENTS

2021/0393873 A1* 12/2021 Streit A61M 5/14248
2022/0143303 A1* 5/2022 Russo A61M 5/445
2023/0285664 A1* 9/2023 Buri A61M 5/172

OTHER PUBLICATIONS

“Wearable injectors news and trends, Springboards,” Springboard, [Post date: Sep. 26, 2022], [Site seen: Feb. 13, 2024], Seen at URL: <https://www.springboard.pro/wearable-injectors-news-and-trends/> (Year: 2022).*

“Wearable Injectors,” ON Drug Delivery, [Post date: Sep. 1, 2020], [Site seen: Feb. 13, 2024], Seen at URL: <https://www.ondrugdelivery.com/wp-content/uploads/2020/09/Wearable-Injectors-ONdrug-Delivery-Issue-111-Sep-2020.pdf> (Year: 2020).*

* cited by examiner

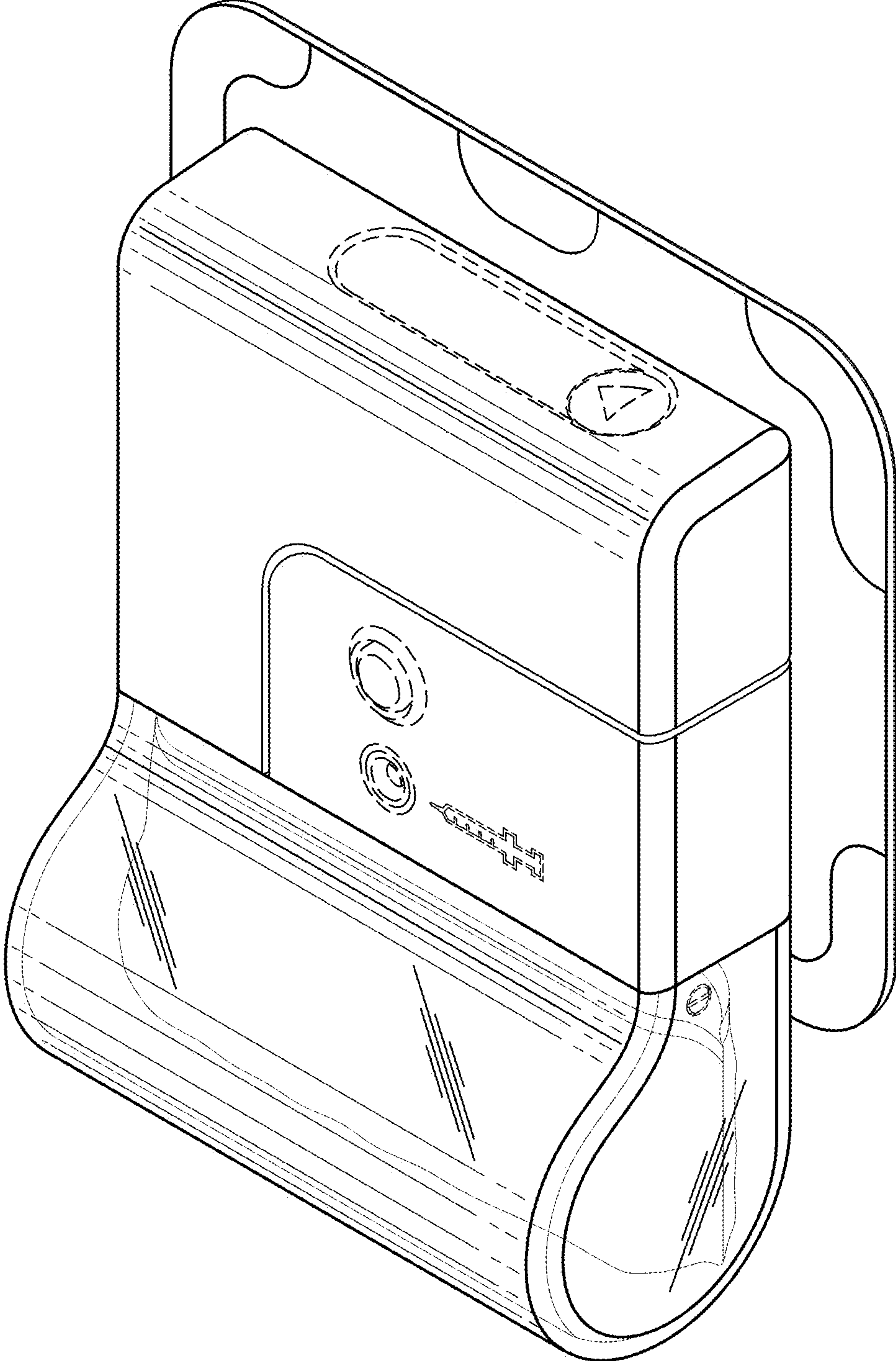


FIG. 1

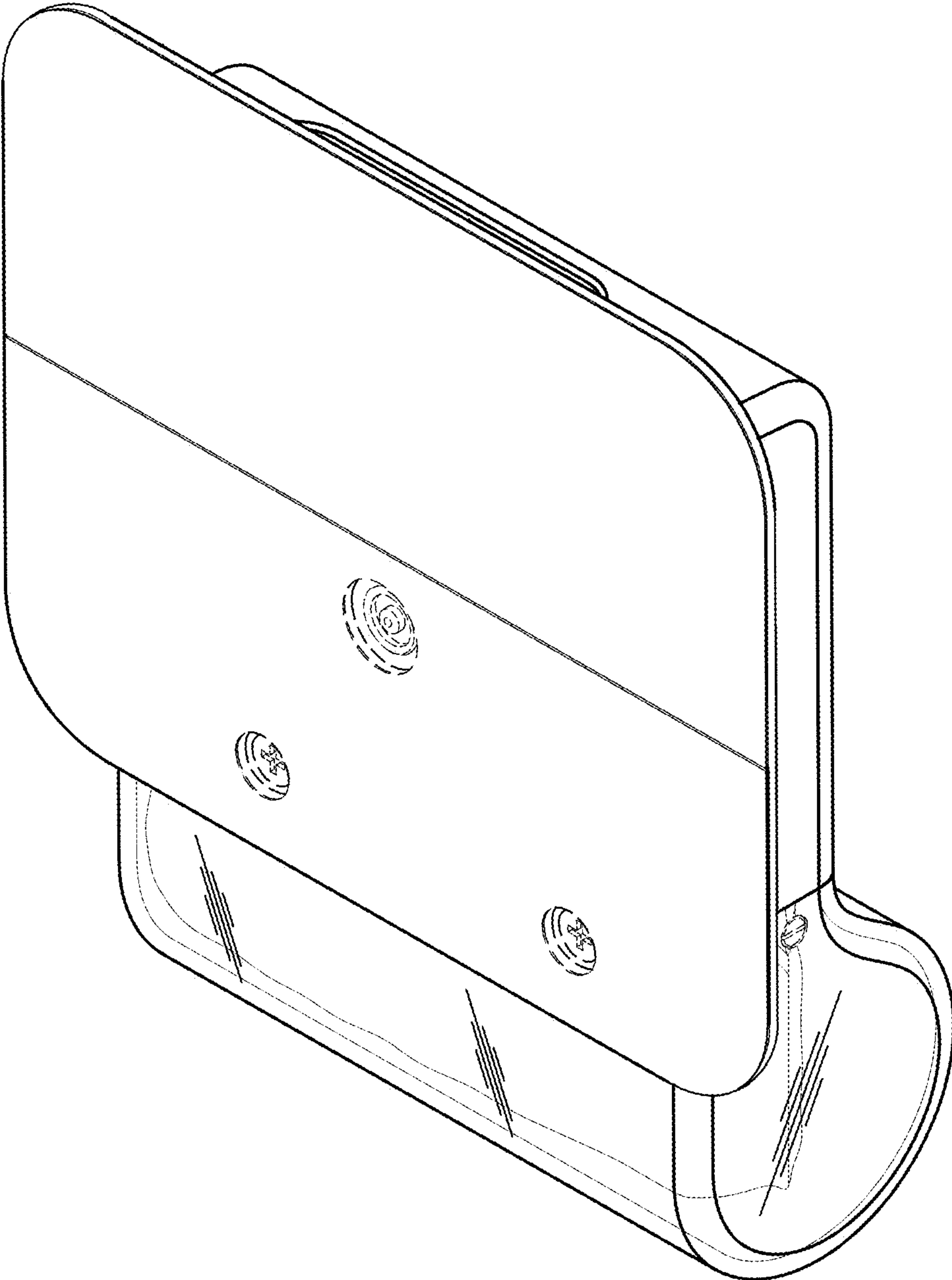


FIG. 2

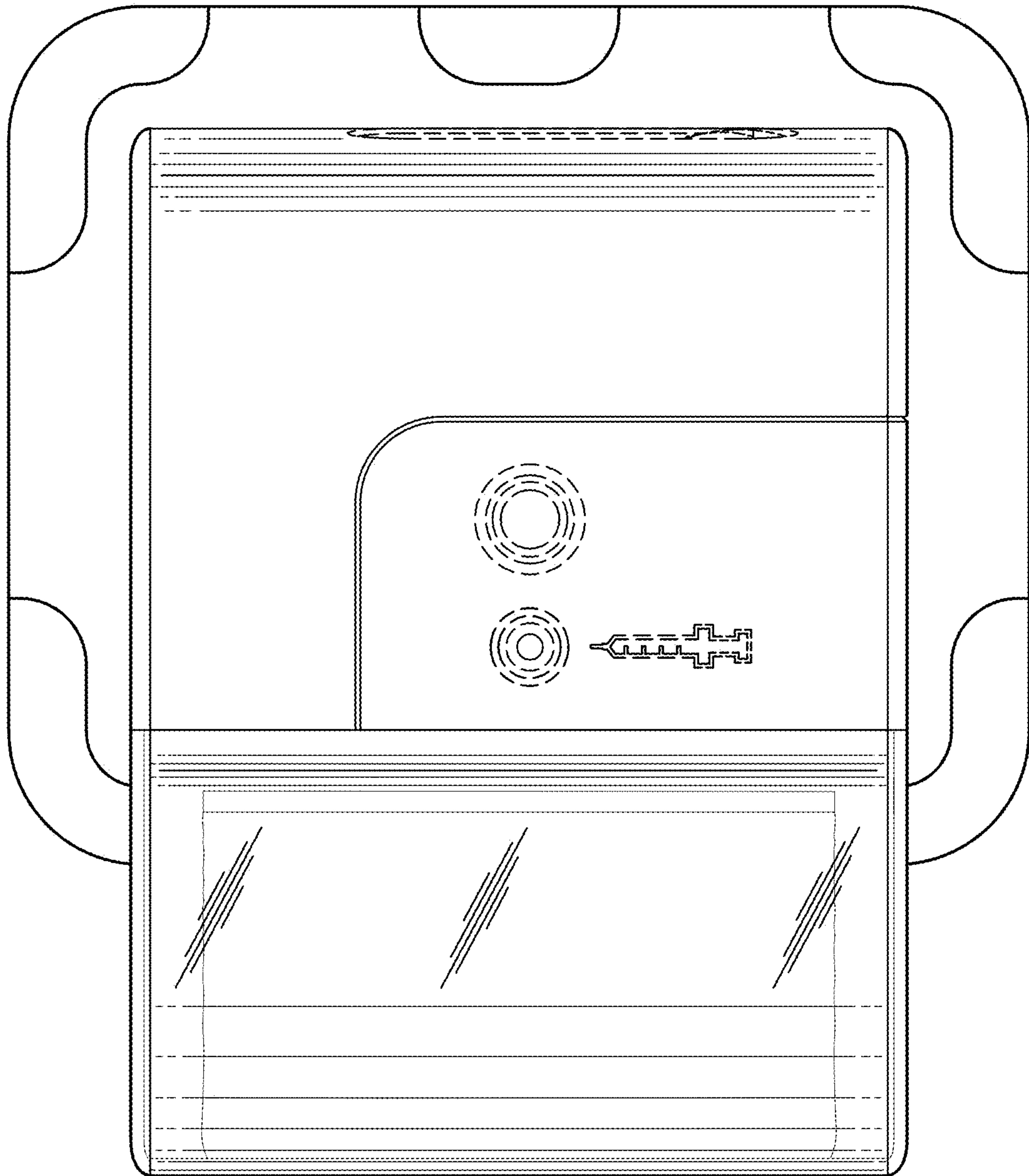


FIG. 3

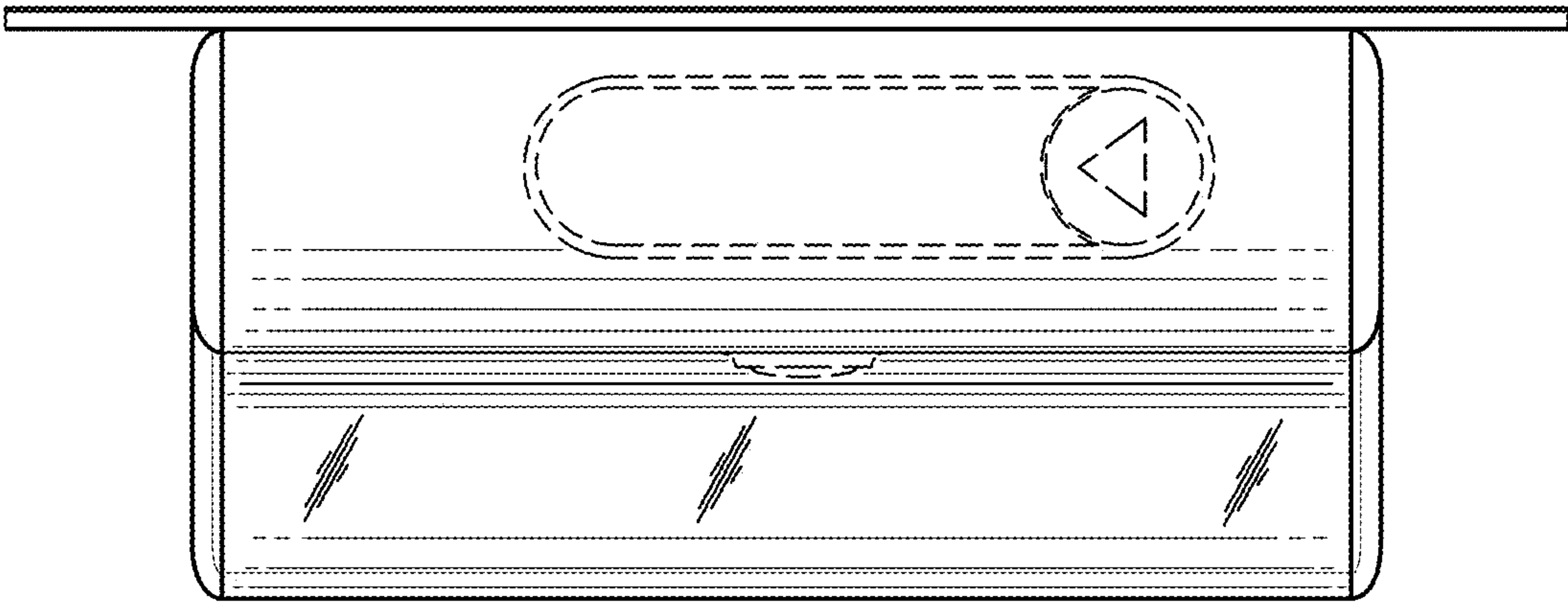


FIG. 4

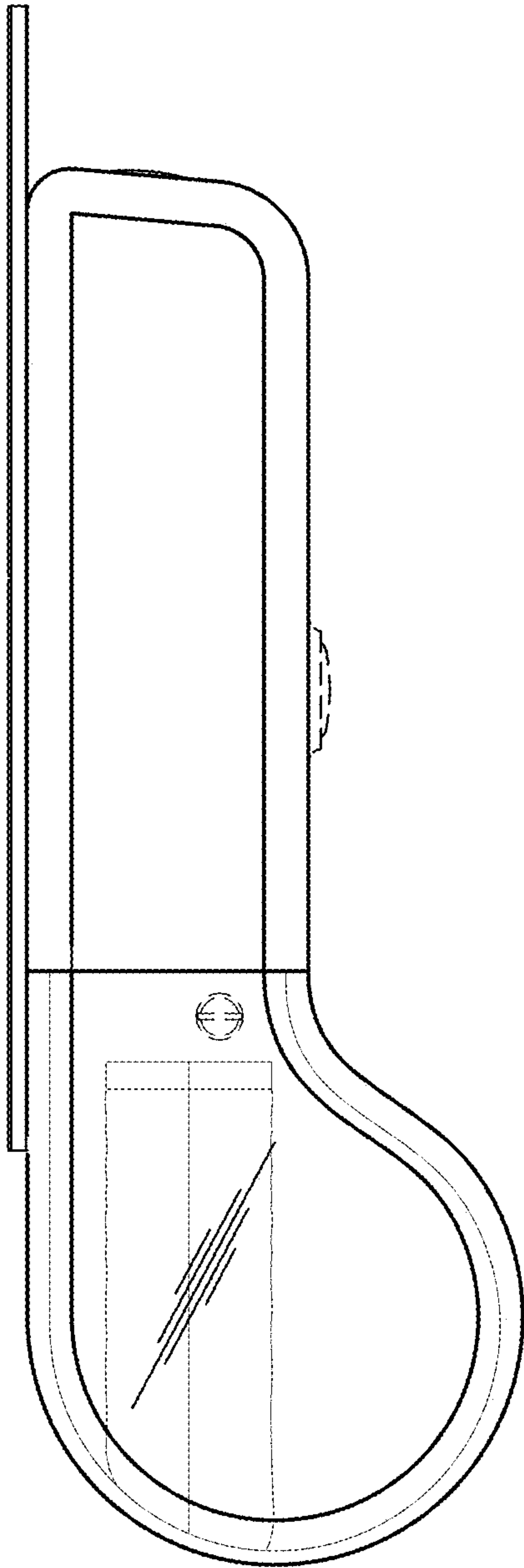


FIG. 5

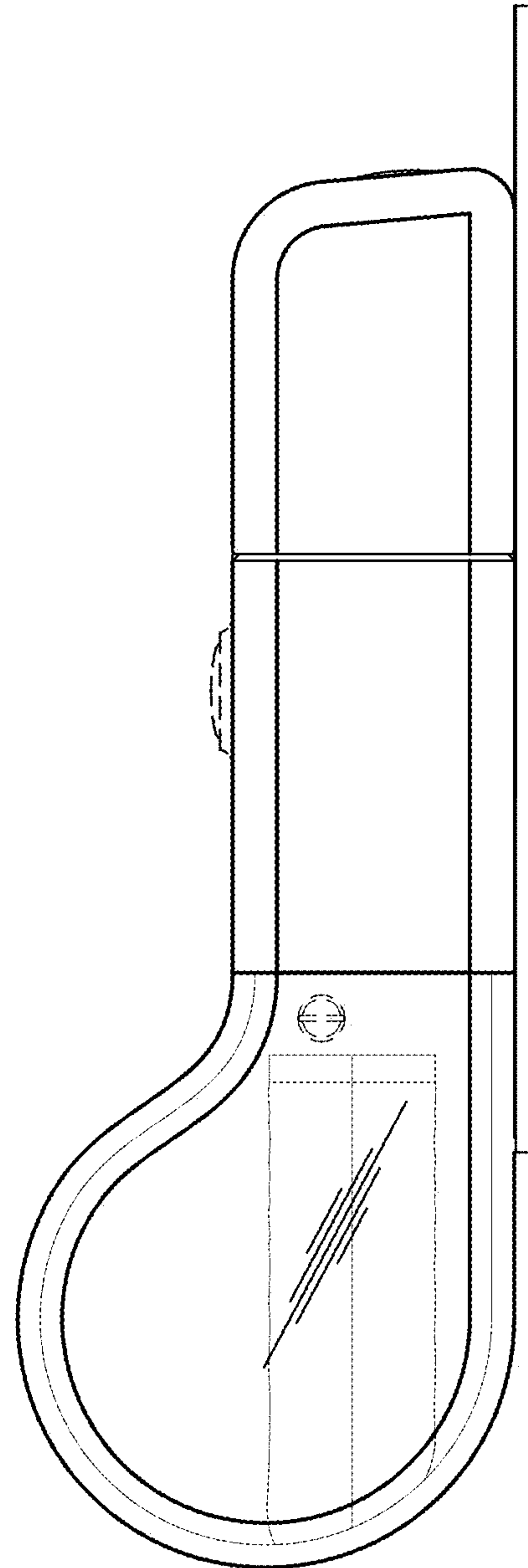


FIG. 6

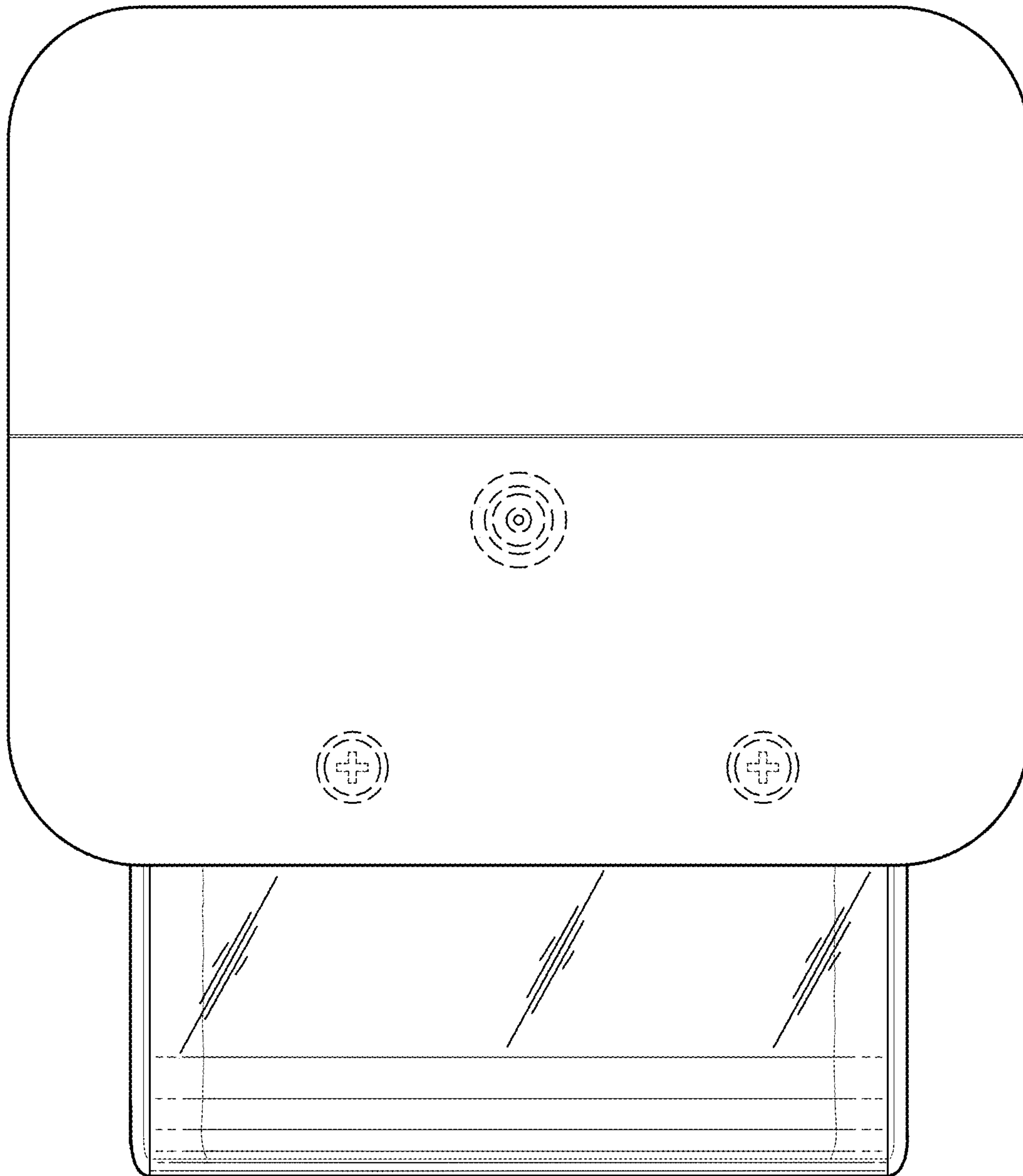


FIG. 7

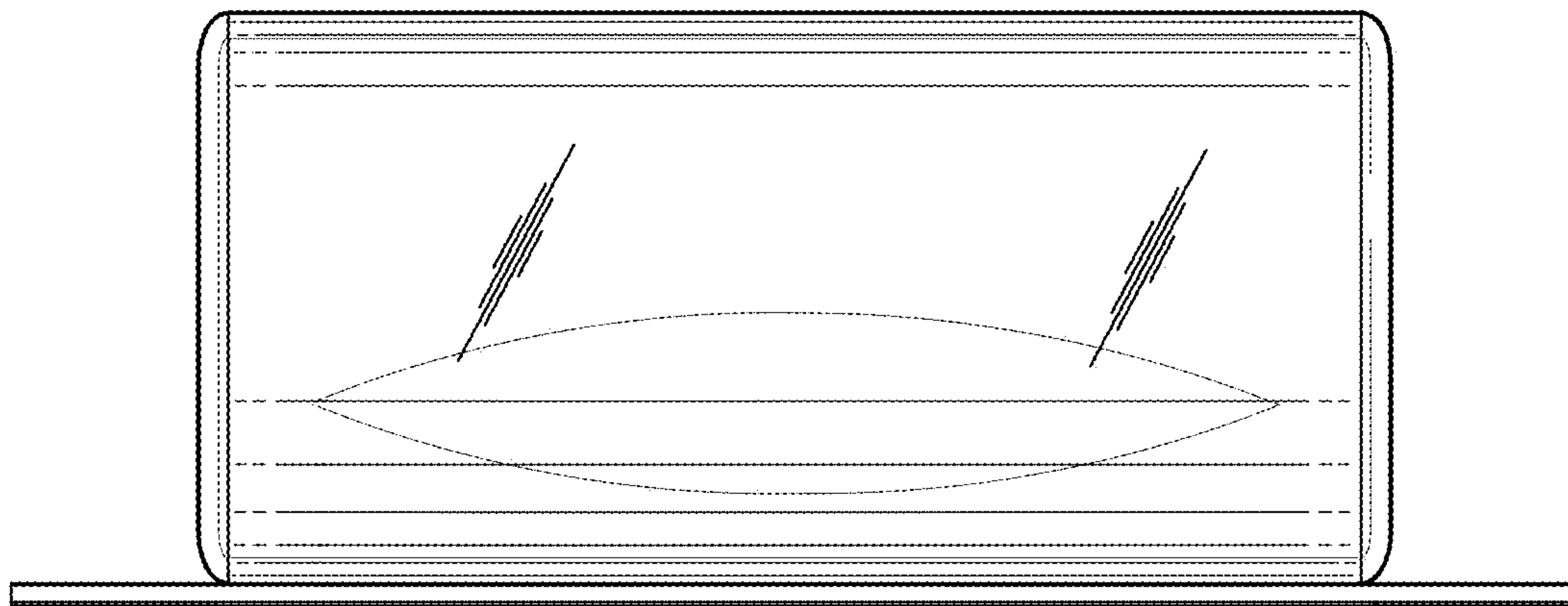


FIG. 8