



US0D1048380S

(12) **United States Design Patent** (10) **Patent No.:** **US D1,048,380 S**  
**Fang** (45) **Date of Patent:** **\*\* Oct. 22, 2024**

- (54) **DENTAL RINSE NOZZLE**
- (71) Applicant: **Touchstone Ego LLC**, Dallas, TX (US)
- (72) Inventor: **Xiaolin Fang**, Shenzhen (CN)
- (73) Assignee: **Touchstone Ego LLC**, Dallas, TX (US)
- (\*\*) Term: **15 Years**
- (21) Appl. No.: **29/935,203**
- (22) Filed: **Mar. 29, 2024**
- (51) **LOC (14) Cl.** ..... **24-02**
- (52) **U.S. Cl.**  
USPC ..... **D24/152**
- (58) **Field of Classification Search**  
USPC ..... D24/111, 108, 112, 152, 176; D4/100, D4/101  
CPC ..... A61C 17/00; A61C 17/005; A61C 17/02; A61C 17/0202; A61C 17/0205; A61C 17/0211; A61C 17/16; A61C 17/22; A61C 17/222; A61C 17/225; A61C 17/227; A61C 17/28; A61C 17/32; A61C 17/34; A61C 17/36; A61C 17/06; A61C 17/10  
See application file for complete search history.

- (56) **References Cited**  
U.S. PATENT DOCUMENTS  
3,874,083 A 4/1975 Buckley  
D540,945 S \* 4/2007 Darnold ..... D24/146  
D598,103 S \* 8/2009 Wagner ..... D24/152  
D802,120 S \* 11/2017 Boyd ..... D24/111  
D812,219 S \* 3/2018 Wang ..... D24/111  
D859,645 S \* 9/2019 Uchida ..... D24/111  
D885,061 S \* 5/2020 Yang ..... D4/101  
D890,917 S \* 7/2020 Taylor ..... D24/111

- D939,691 S \* 12/2021 Bessho ..... D24/111
- D946,748 S \* 3/2022 Snyder ..... D24/111
- 2018/0140402 A1 \* 5/2018 Chu ..... A46B 9/045
- 2022/0133455 A1 \* 5/2022 Vuillet ..... A61C 17/18  
433/119
- 2024/0001021 A1 \* 1/2024 Melvin ..... A61M 1/86
- 2024/0180678 A1 \* 6/2024 Berger ..... A61C 17/024
- \* cited by examiner

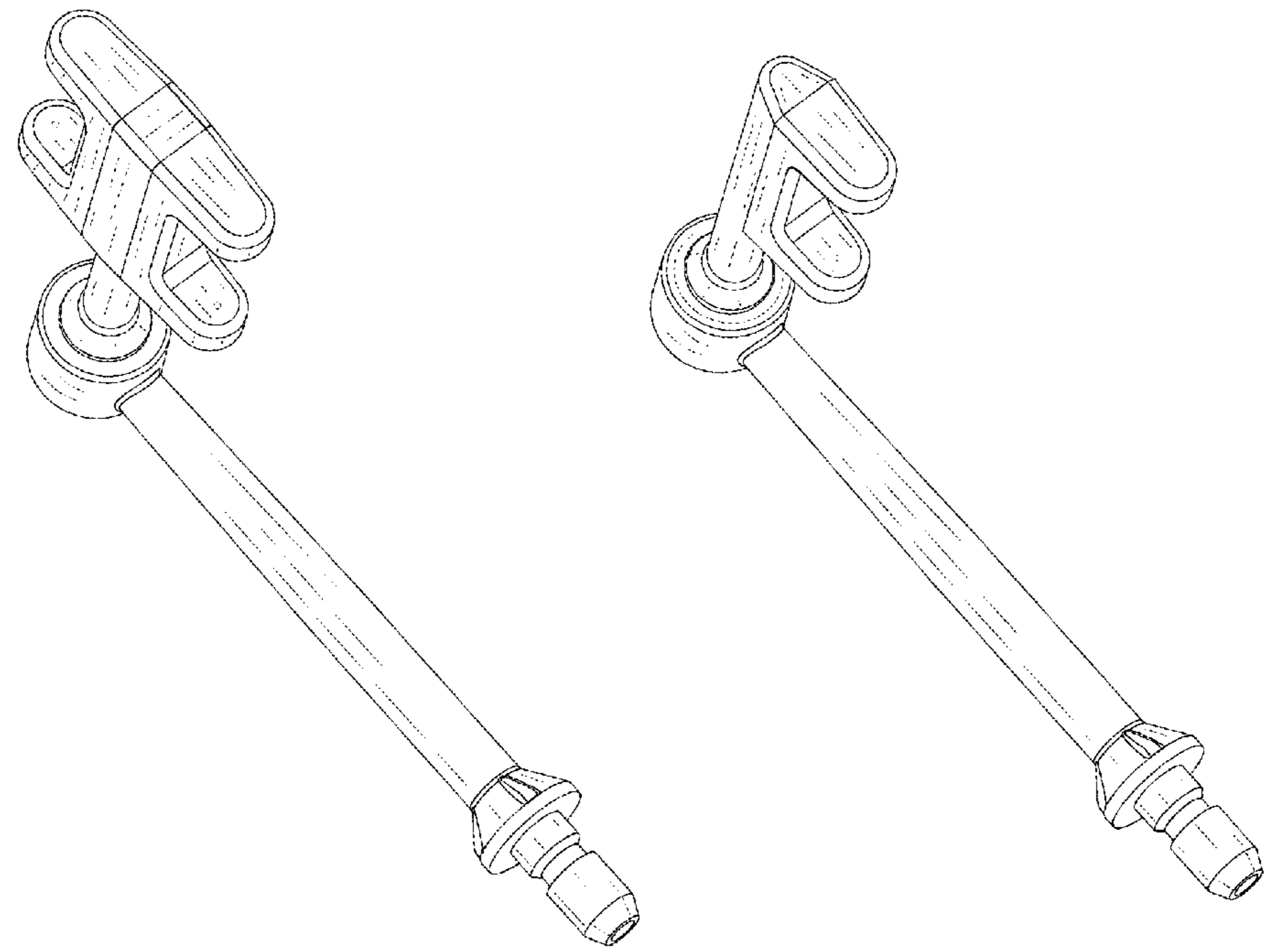
*Primary Examiner* — Daniel J Domino  
*Assistant Examiner* — Lee D. Starr  
 (74) *Attorney, Agent, or Firm* — Justin Lampel

(57) **CLAIM**  
 The ornamental design for a dental rinse nozzle as shown and described.

**DESCRIPTION**

FIG. 1 is a perspective view of the first embodiment of a dental rinse nozzle showing my new design; FIG. 2 is a front elevational view thereof; FIG. 3 is a rear elevational view thereof; FIG. 4 is a left side view thereof; FIG. 5 is a right side view thereof; FIG. 6 is a top plan view thereof; FIG. 7 is a bottom plan view thereof; FIG. 8 is a perspective view of the second embodiment of a dental rinse nozzle showing my new design; FIG. 9 is a front elevational view thereof; FIG. 10 is a rear elevational view thereof; FIG. 11 is a left side view thereof; FIG. 12 is a right side view thereof; FIG. 13 is a top plan view thereof; and, FIG. 14 is a bottom plan view thereof. The broken lines depict portions of the dental rinse nozzle that form no part of the claimed design.

**1 Claim, 14 Drawing Sheets**



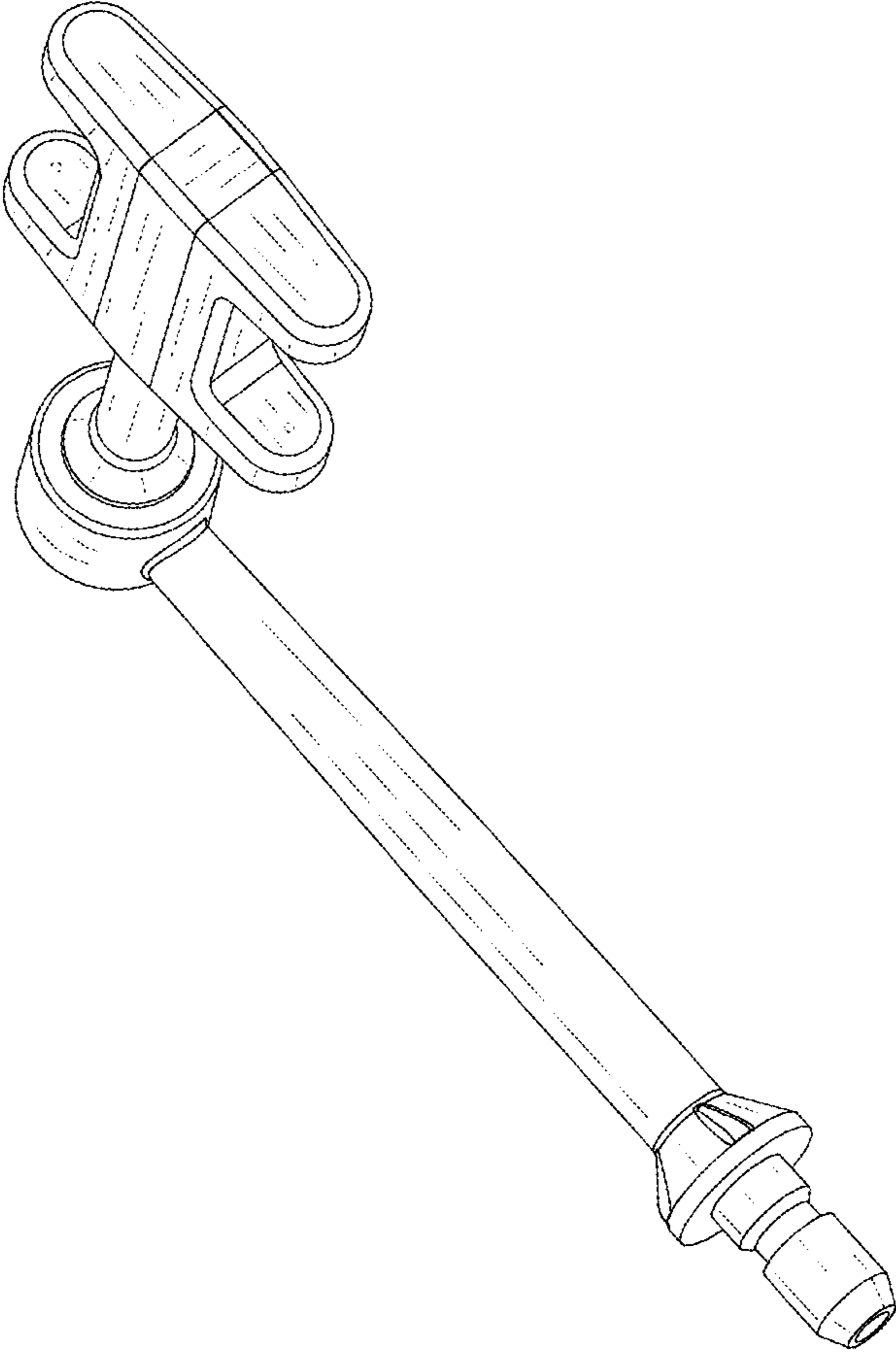


FIG. 1

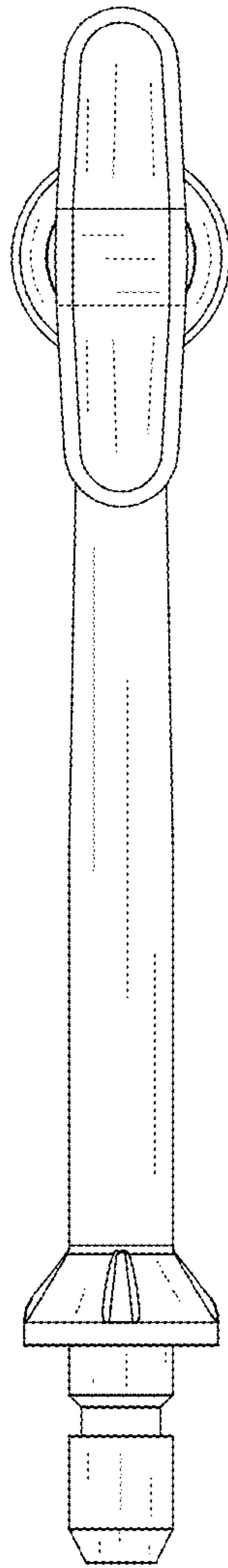


FIG. 2

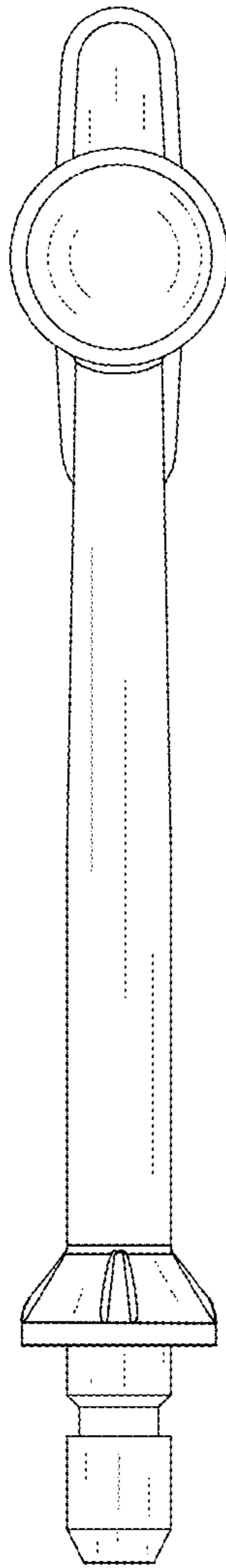


FIG. 3

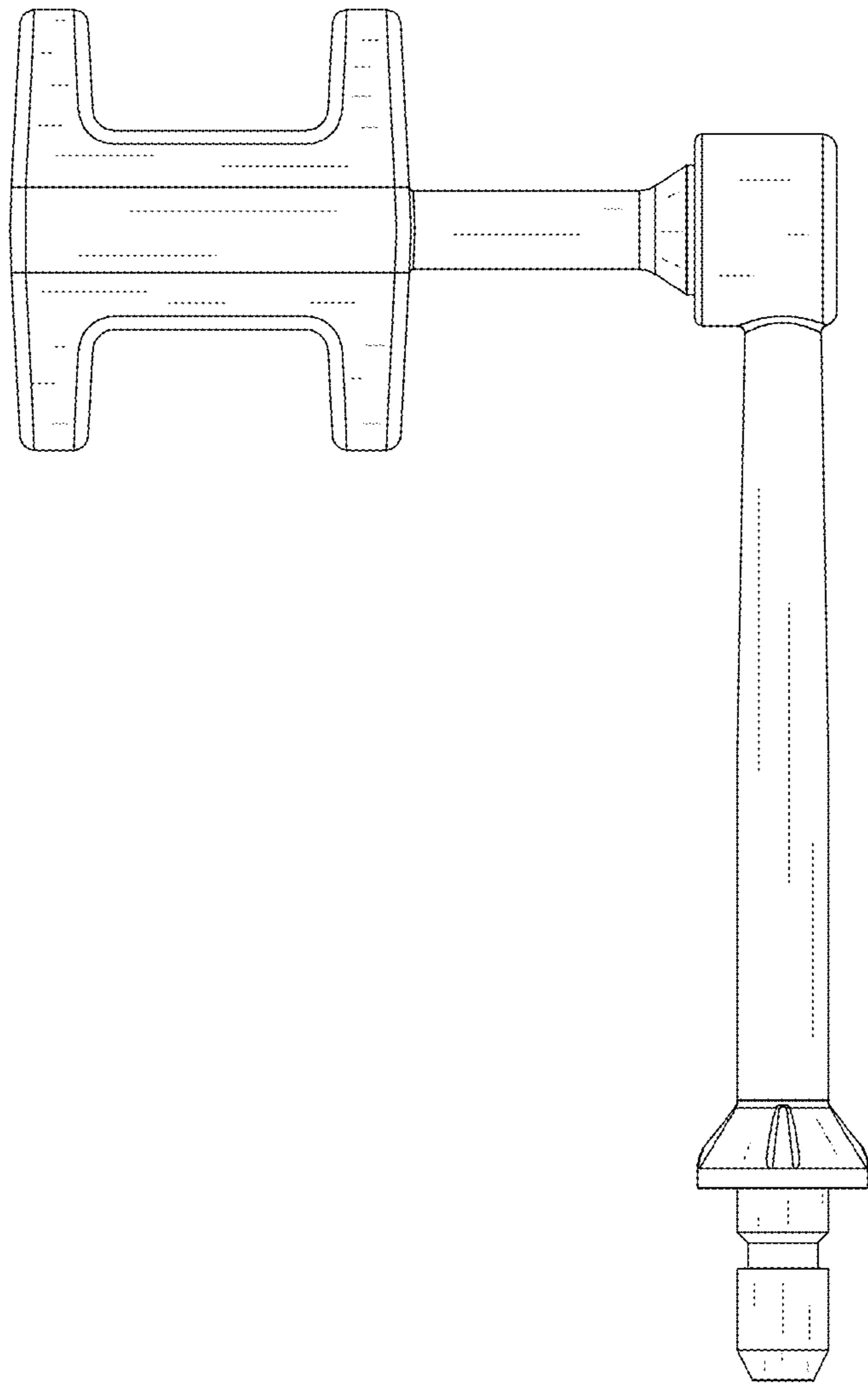


FIG. 4

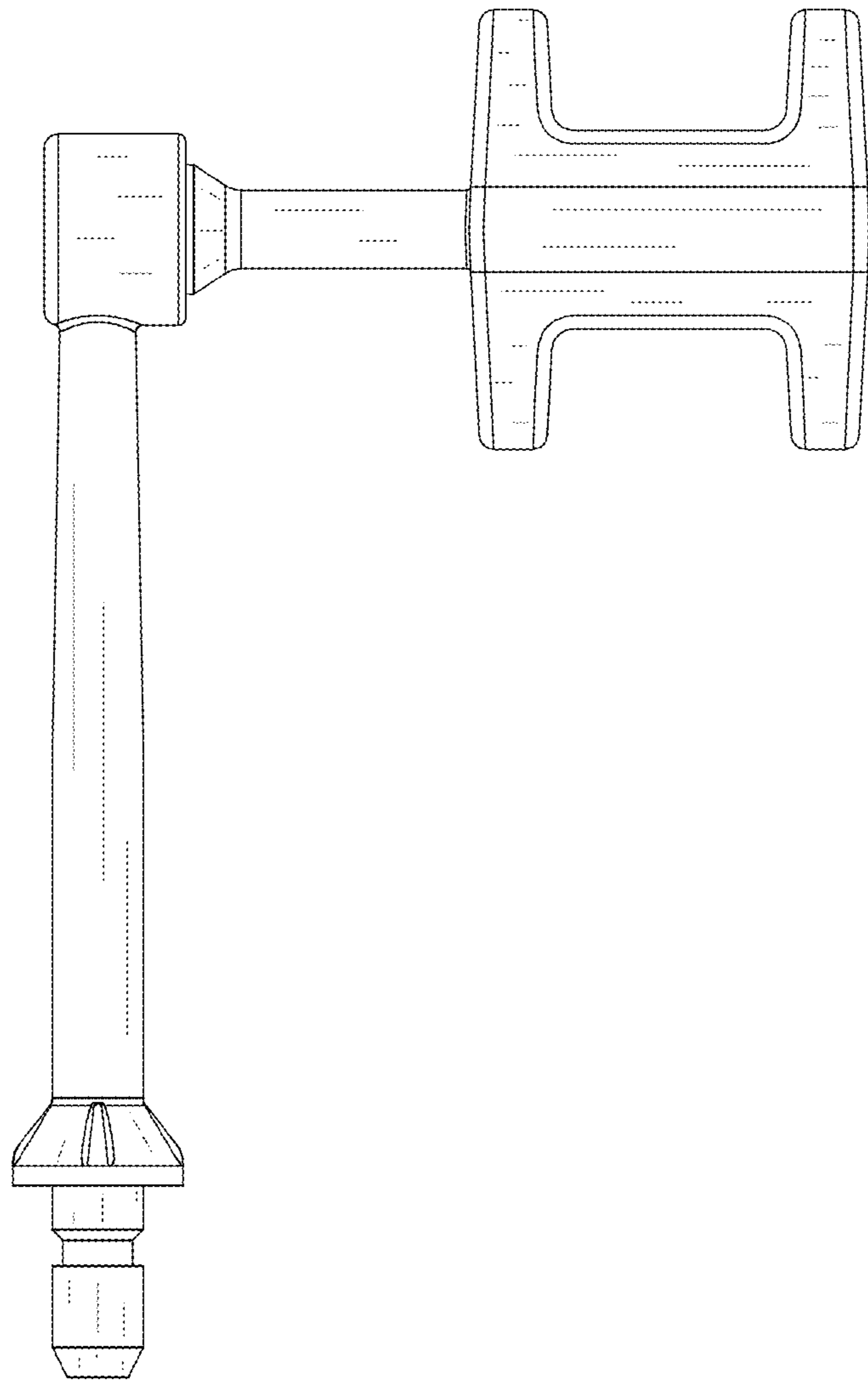


FIG. 5

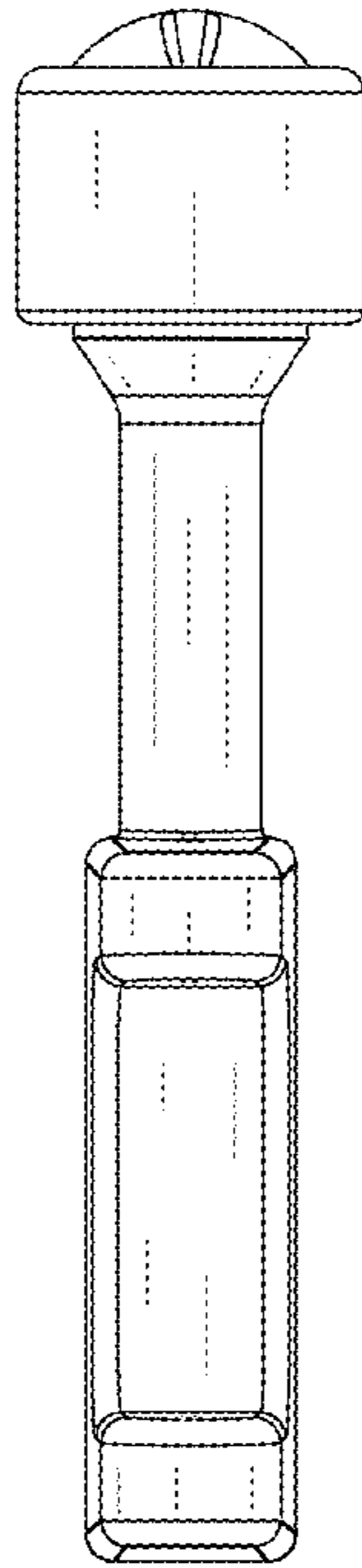


FIG. 6

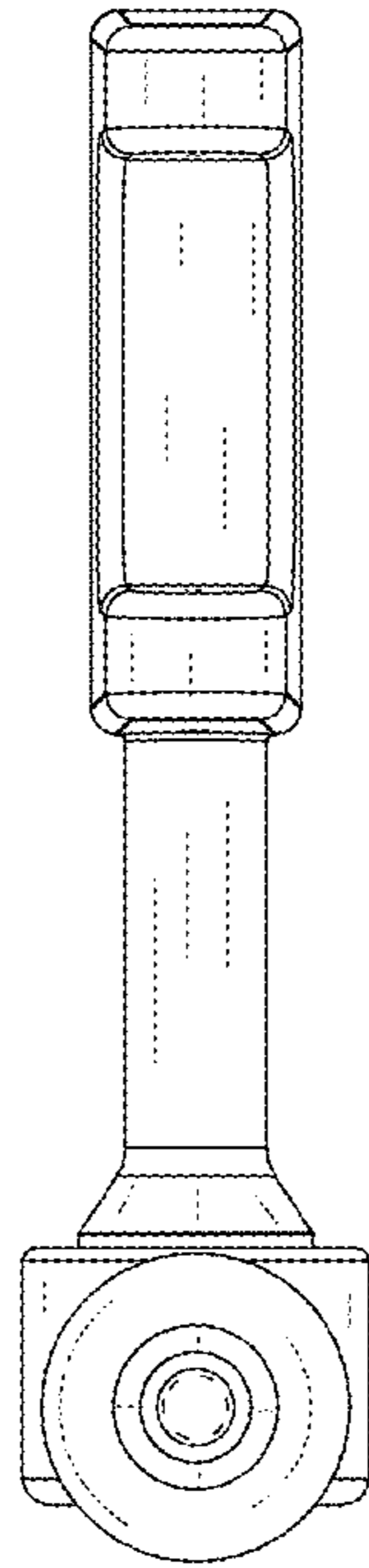


FIG. 7



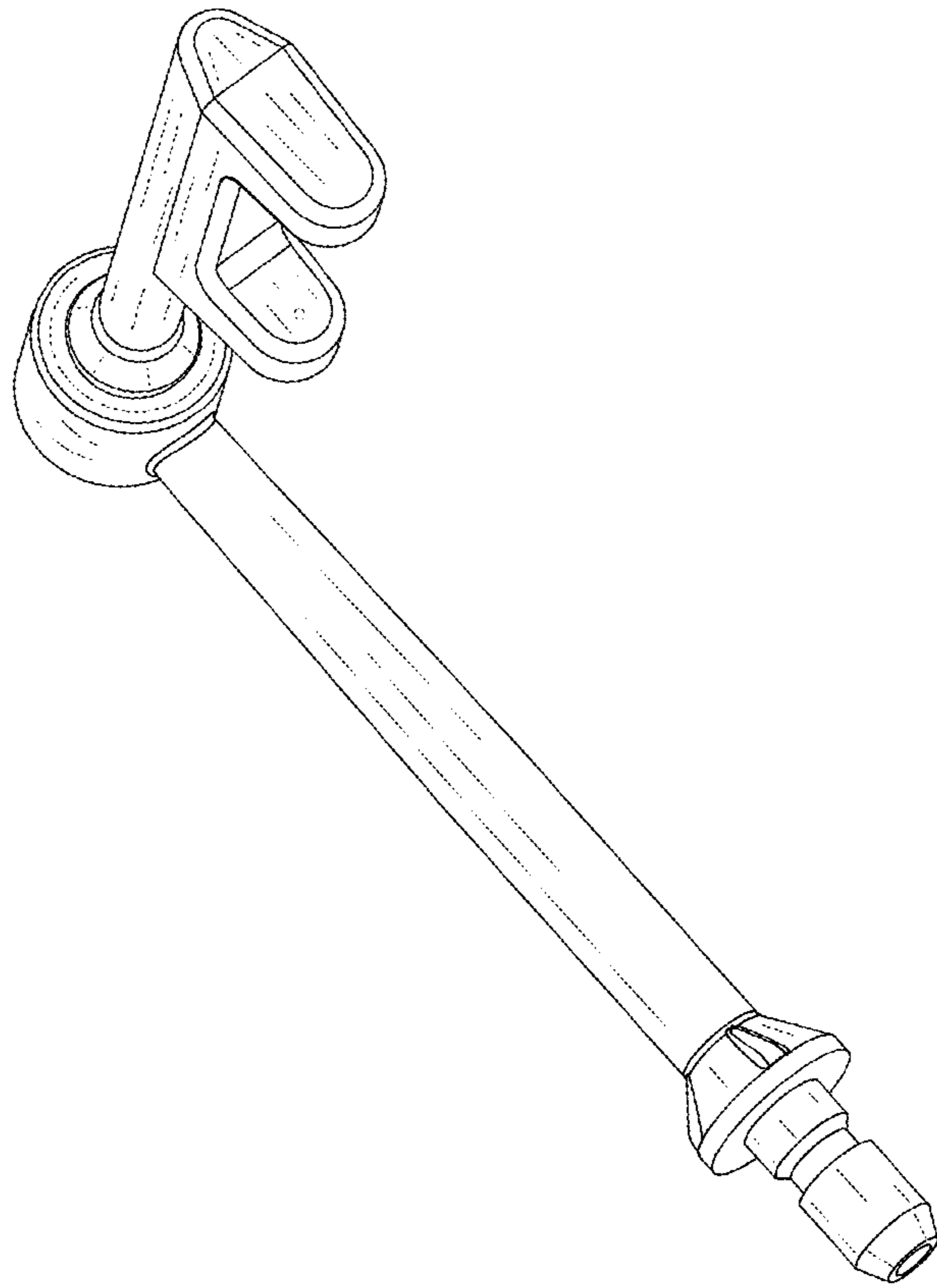


FIG. 8

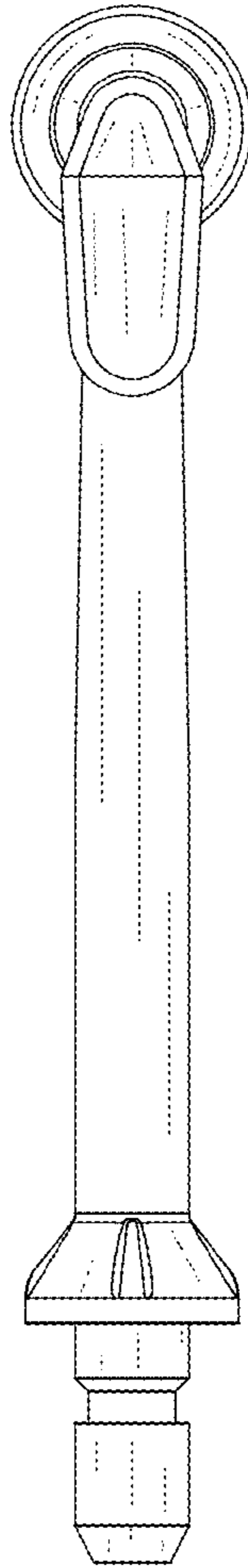


FIG. 9

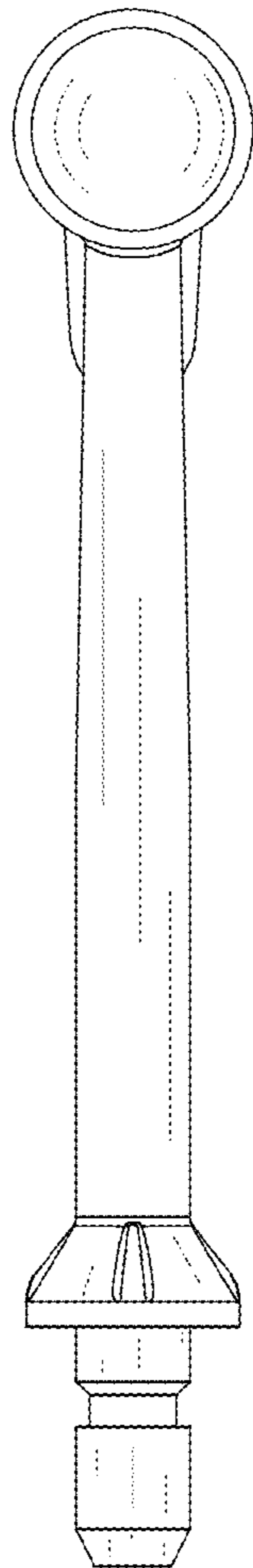


FIG. 10

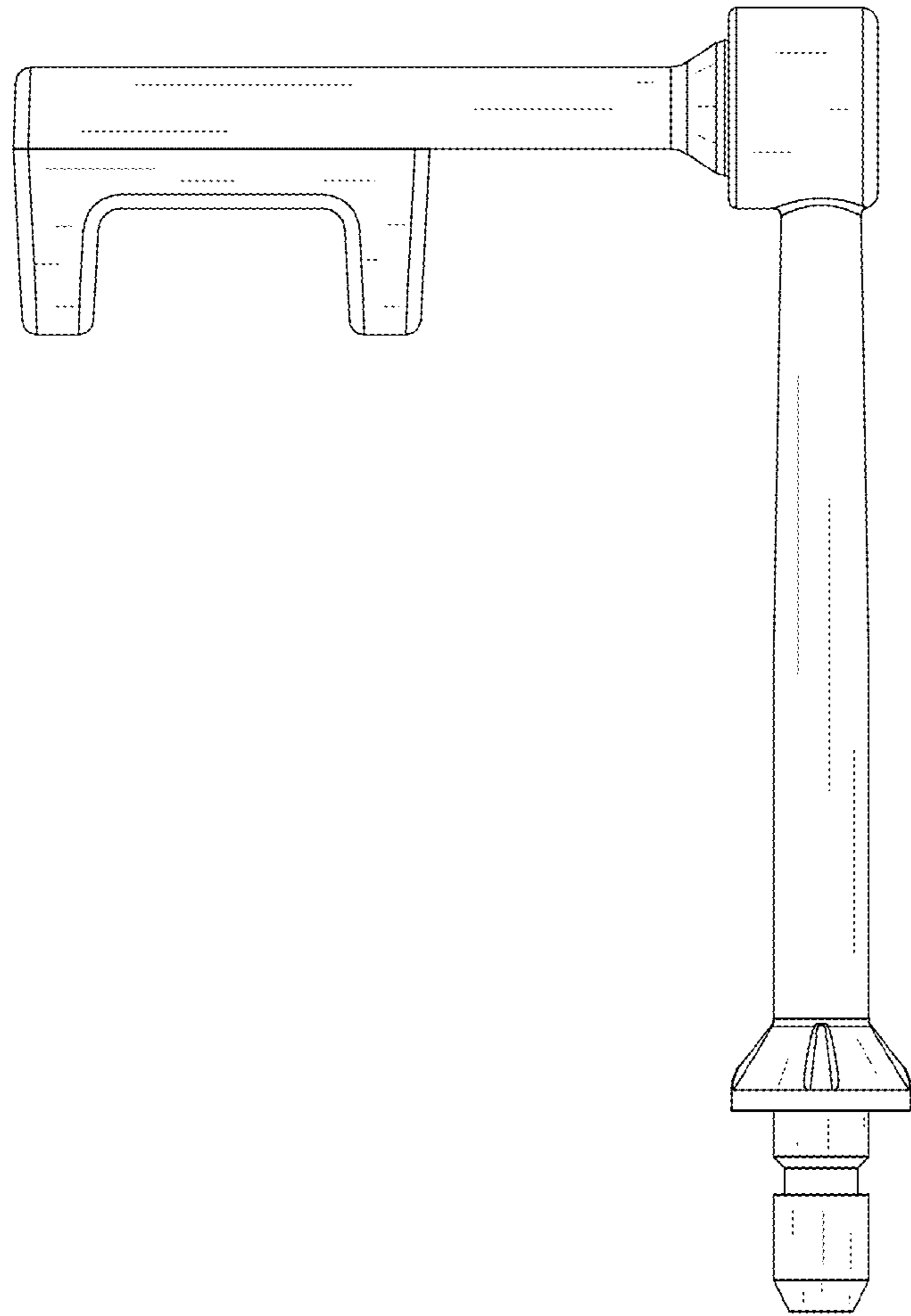


FIG. 11

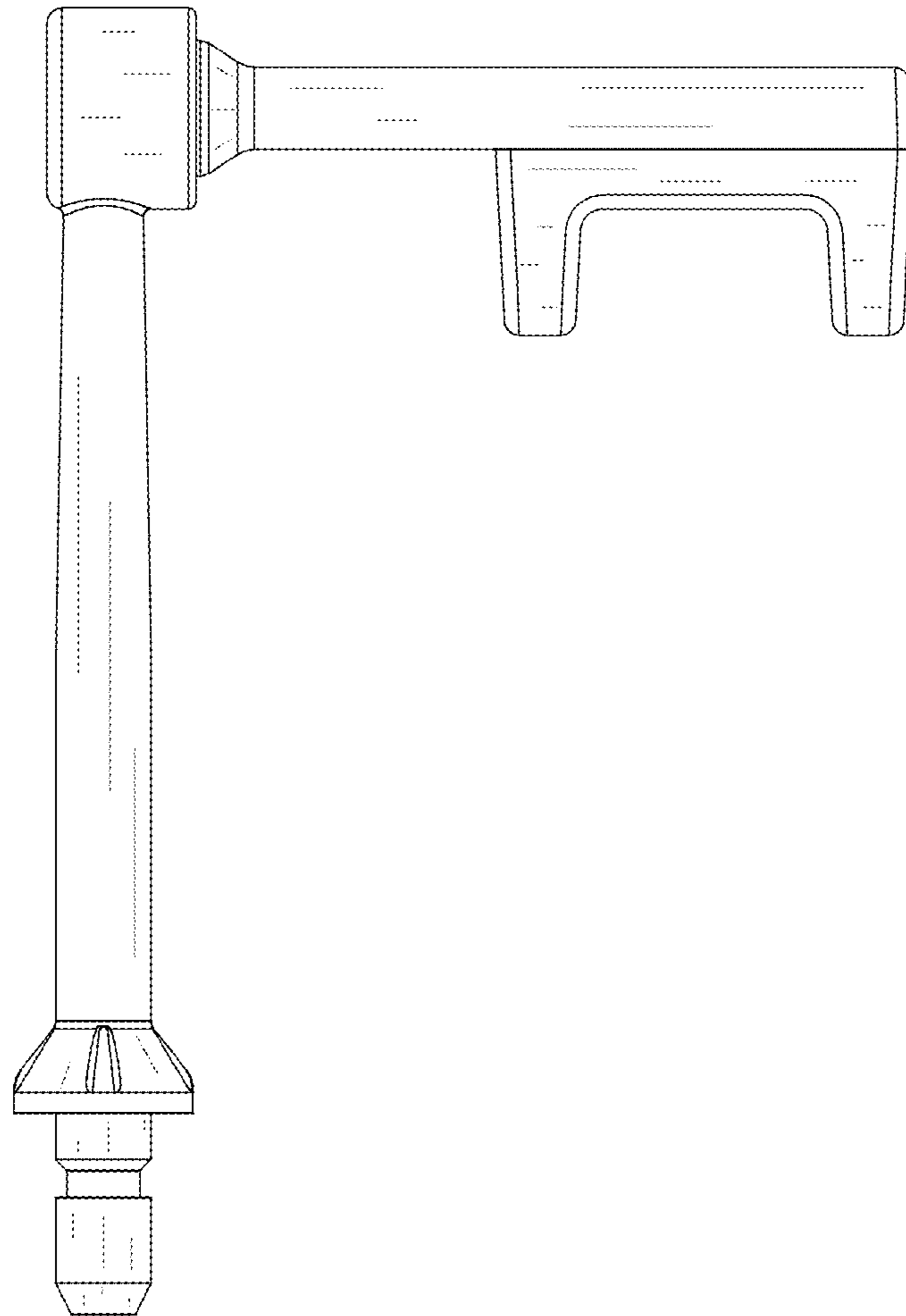


FIG. 12

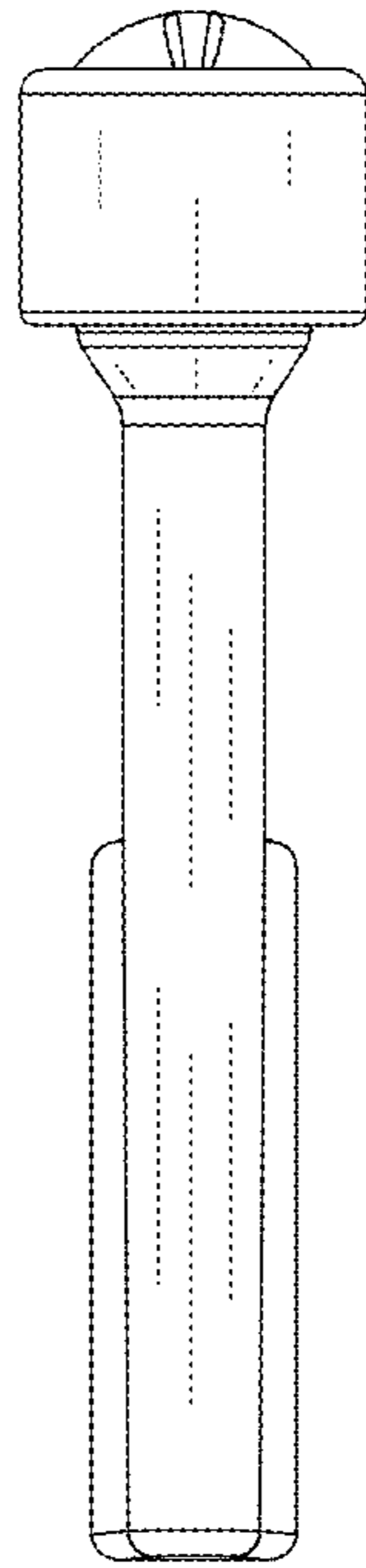


FIG. 13

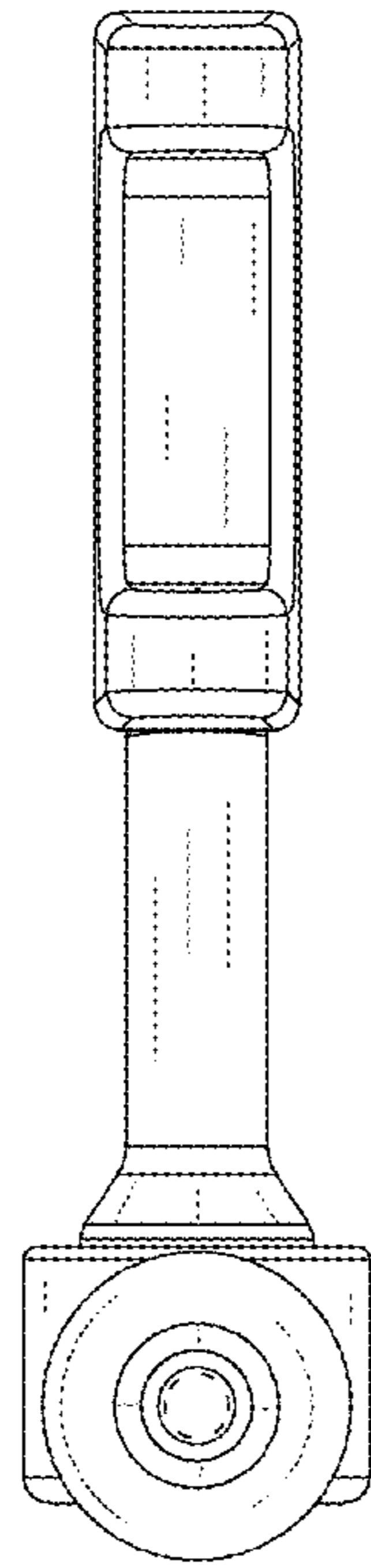


FIG. 14