



US0D1048336S

(12) **United States Design Patent** (10) **Patent No.:** **US D1,048,336 S**
Price (45) **Date of Patent:** **** Oct. 22, 2024**

(54) **SAUNA STOVE TENT**
(71) Applicant: **Travis Price**, Palos Verdes Estates, CA (US)
(72) Inventor: **Travis Price**, Palos Verdes Estates, CA (US)

D255,600 S 6/1980 Marchant
D264,870 S 6/1982 Russo
4,342,306 A 8/1982 Thulman et al.
D267,034 S 11/1982 Russo
D267,193 S 12/1982 Salce
D272,180 S 1/1984 Russo
(Continued)

(73) Assignee: **Miami Labs, Inc.**, Miami, FL (US)
(**) Term: **15 Years**

FOREIGN PATENT DOCUMENTS

CN 2037168 U 5/1989
CN 203939280 U 11/2014
(Continued)

(21) Appl. No.: **29/856,266**

(22) Filed: **Oct. 12, 2022**

OTHER PUBLICATIONS

(51) **LOC (14) Cl.** **23-03**
(52) **U.S. Cl.**
USPC **D23/315**

Overland_sauna Instagram reel post https://www.instagram.com/reel/Cm2IRadpKI-/?utm_source=ig_web_copy_link retrieved on Jun. 27, 2024 Posted on instagram on Dec. 31, 2022 (Year: 2022).*
(Continued)

(58) **Field of Classification Search**
USPC D23/314, 342, 343, 344, 347, 315, 317,
D23/332, 338, 339, 340; D24/203;
D21/834, 838
CPC .. F24B 1/191; F24B 7/00; F24B 1/205; F24B
1/202; F24B 1/022; F02B 43/08; A47J
2037/0777; A47J 2037/0763; A47J
37/0704; A61H 33/06; A61H 33/066;
A61H 2033/068

Primary Examiner — Ania Aman
(74) *Attorney, Agent, or Firm* — Greenberg Traurig, LLP

See application file for complete search history.

(57) **CLAIM**

The ornamental design for a sauna stove tent, as shown and described.

(56) **References Cited**

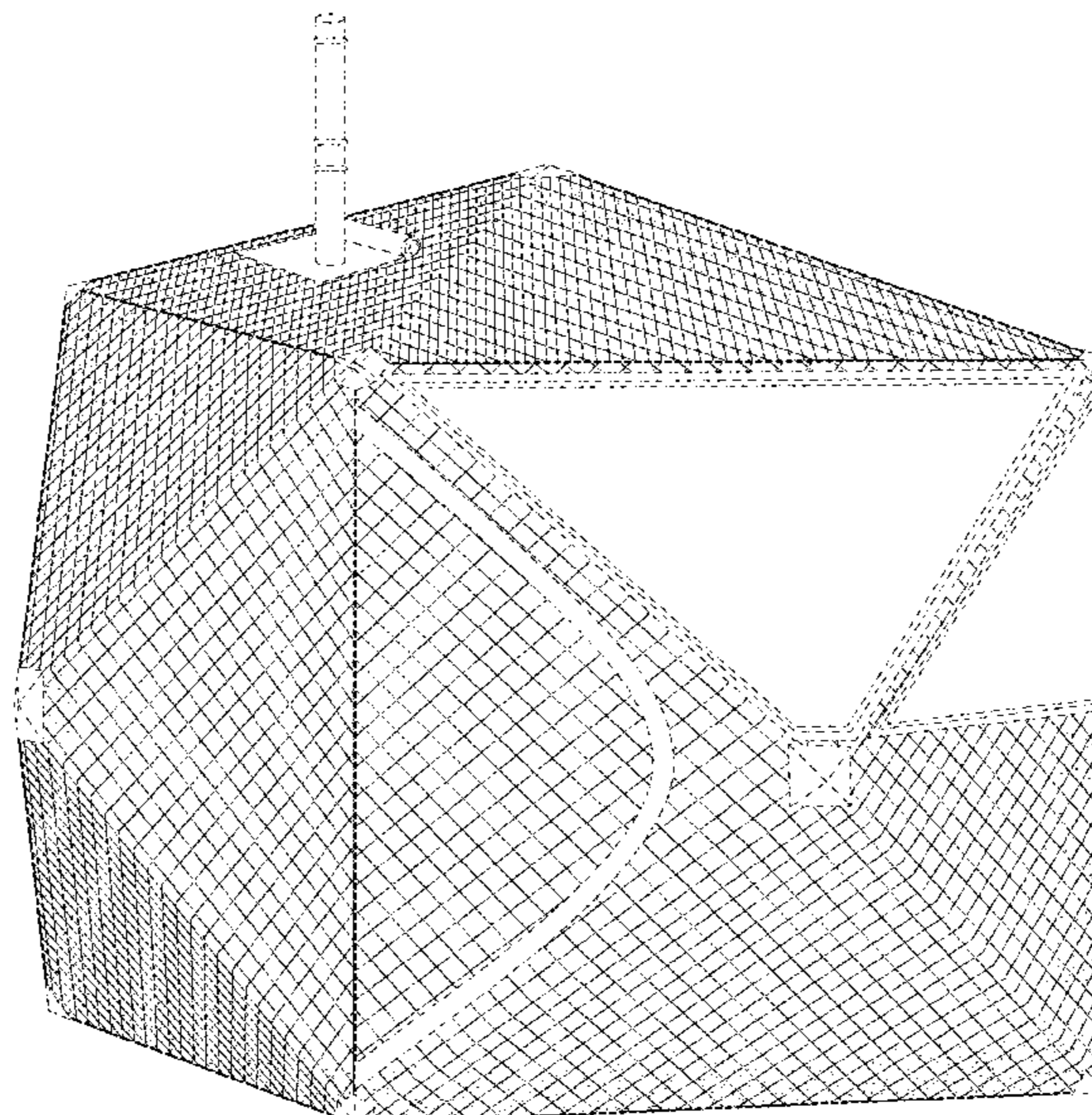
DESCRIPTION

U.S. PATENT DOCUMENTS

1,335,473 A 3/1920 Piotr
1,420,043 A 6/1922 Vincent
1,596,826 A 8/1926 Gregory
1,787,903 A 1/1931 Herndon
3,877,084 A * 4/1975 Johnson A61H 33/06
4/526
D240,628 S 7/1976 Kapustin
D249,702 S 9/1978 Dugan
D250,204 S 11/1978 Turner, I
D250,346 S 11/1978 Leach

FIG. 1 is a perspective view of a new design for a sauna stove tent;
FIG. 2 is a front view thereof;
FIG. 3 is a right side view thereof;
FIG. 4 is a rear view thereof;
FIG. 5 is a left side view thereof; and,
FIG. 6 is a top view thereof.
The bottom view is not visible during use.
The broken lines shown in the drawings depict portions of the sauna stove tent that form no part of the claimed design.

1 Claim, 6 Drawing Sheets



(56)

References Cited

U.S. PATENT DOCUMENTS

4,819,680 A * 4/1989 Beavers E04H 15/32
135/125
5,511,254 A * 4/1996 O'Brien A61H 33/06
4/526
5,628,338 A * 5/1997 Stumbo E04H 15/40
135/147
D395,934 S * 7/1998 Lamppa D23/315
5,947,105 A 9/1999 Scott et al.
6,055,684 A * 5/2000 Azuma A61H 33/06
4/531
D505,175 S * 5/2005 Wehner D21/834
D511,196 S * 11/2005 Wehner D21/834
7,320,332 B2 1/2008 Reis
D588,275 S * 3/2009 Lozano D24/201
D621,898 S * 8/2010 Smith D21/834
8,915,258 B1 * 12/2014 Beam E04H 15/001
135/117
D722,668 S * 2/2015 Furseth D21/834
9,863,163 B2 * 1/2018 Lonergan E04H 15/48
D846,716 S 4/2019 Maki
10,443,263 B2 * 10/2019 LaHood E04H 15/64
D938,003 S 12/2021 Ming
D944,584 S 3/2022 Jiang et al.
D953,467 S * 5/2022 Yang D21/834
D968,868 S 11/2022 Xia
D980,664 S 3/2023 Huang
D980,956 S * 3/2023 Qiu D23/315
D981,779 S 3/2023 Huang
D982,700 S * 4/2023 Powell D21/834
D997,322 S 8/2023 Yang
11,821,195 B1 * 11/2023 Farber E04B 1/34321
2008/0083443 A1 * 4/2008 Eastman, II E04H 15/44
135/121
2010/0205736 A1 * 8/2010 Chang A61H 33/066
4/527
2011/0168221 A1 * 7/2011 Schlipf E04H 15/001
135/117

2013/0074894 A1 * 3/2013 Cook E04H 15/001
135/96
2013/0098415 A1 * 4/2013 Zeldin E04H 15/12
135/96
2015/0338104 A1 11/2015 Lipinski
2017/0172158 A1 6/2017 Lipinski
2017/0234029 A1 * 8/2017 Walter E04H 15/30
135/147
2020/0196592 A1 * 6/2020 Harris A01M 31/025
2020/0378606 A1 12/2020 Lin

FOREIGN PATENT DOCUMENTS

CN 211369761 U 8/2020
CN 216197066 U 4/2022
CN 219061128 U 5/2023
DE 20111869 U1 12/2001
RU 187 555 U1 3/2019
WO 2022103292 A1 5/2022

OTHER PUBLICATIONS

Sweattents Instagram reel post retrieved on Jun. 27, 2024 Posted on
instagram on Nov. 12, 2022 https://www.instagram.com/reel/Ck4fD_bJYEc/?igsh=MTdsampxjyZTV3NA%3D%3D (Year: 2022).
U.S. Ex Parte Quayle Office Action for U.S. Appl. No. 29/922,377
mailed Feb. 1, 2024.
U.S. Non-Final Office Action for U.S. Appl. No. 29/881,553 mailed
Jan. 19, 2024.
U.S. Non-Final Office Action for U.S. Appl. No. 29/861,551 mailed
Jan. 19, 2024.
U.S. Non-Final Office Action for U.S. Appl. No. 29/881,978 mailed
Jan. 19, 2024.
U.S. Ex Parte Quayle Office Action for U.S. Appl. No. 29/894,613
mailed Jan. 19, 2024.
U.S. Ex Parte Quayle Office Action for U.S. Appl. No. 29/898,933
mailed Feb. 1, 2024.

* cited by examiner

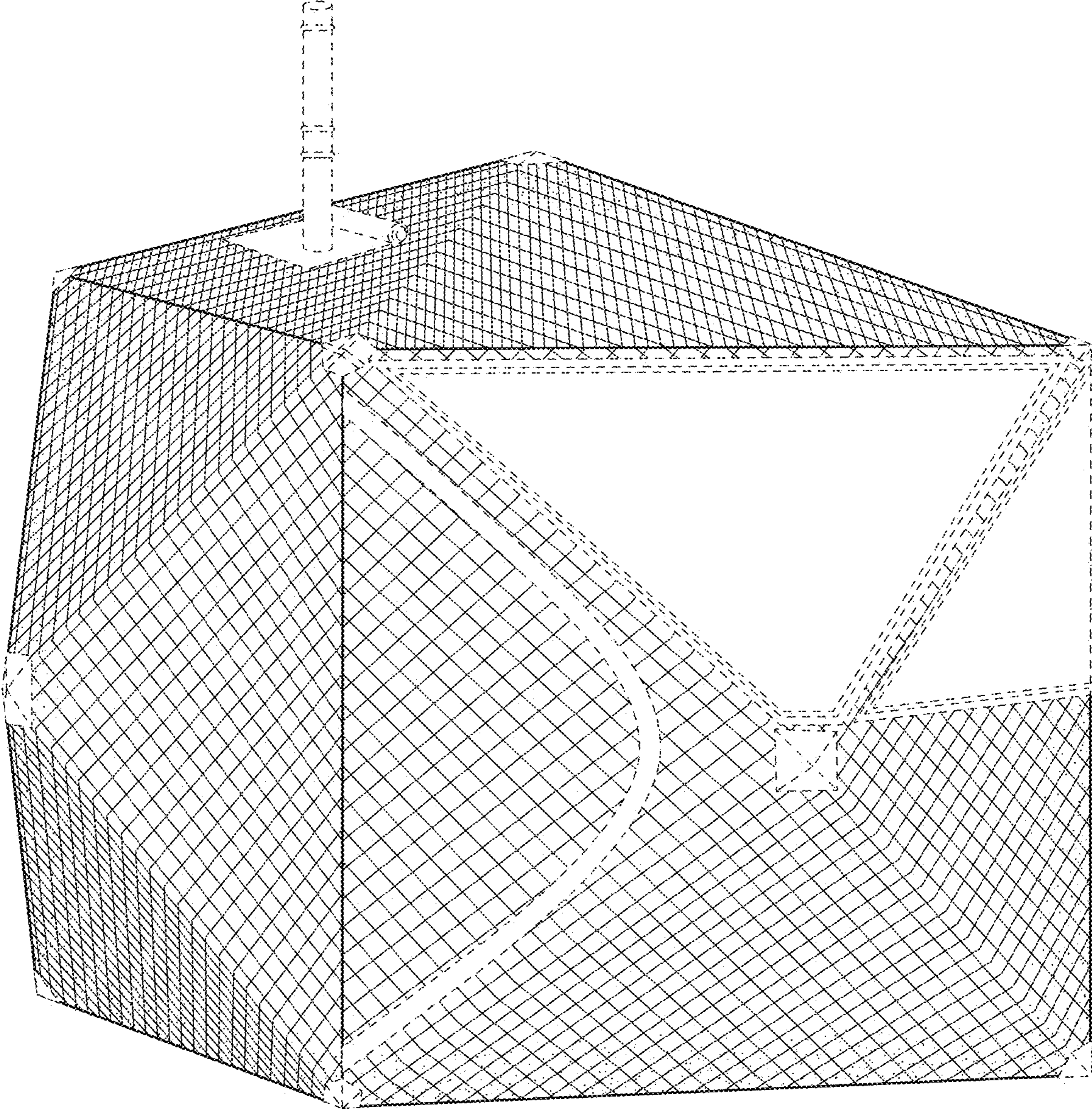


FIG. 1

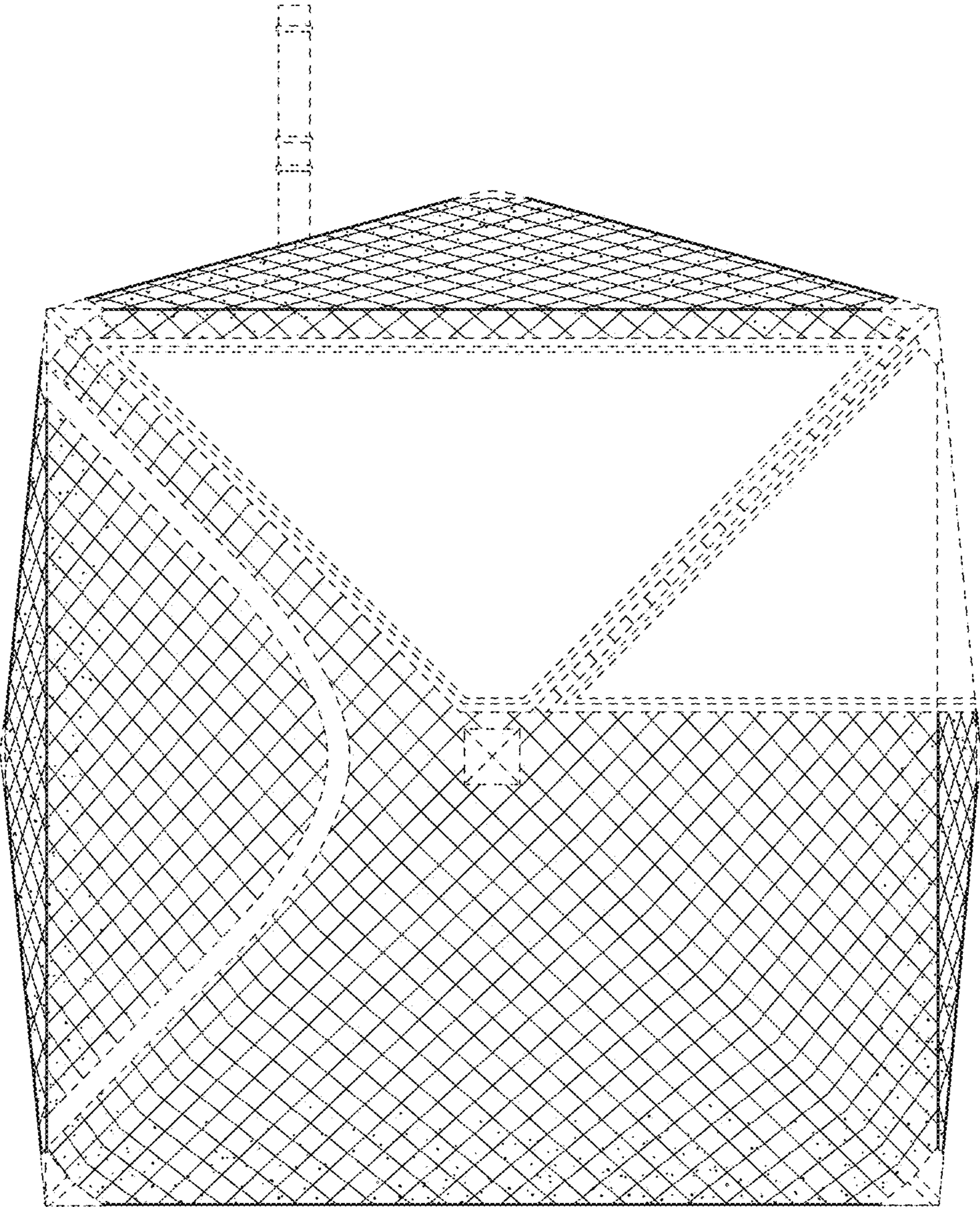


FIG. 2

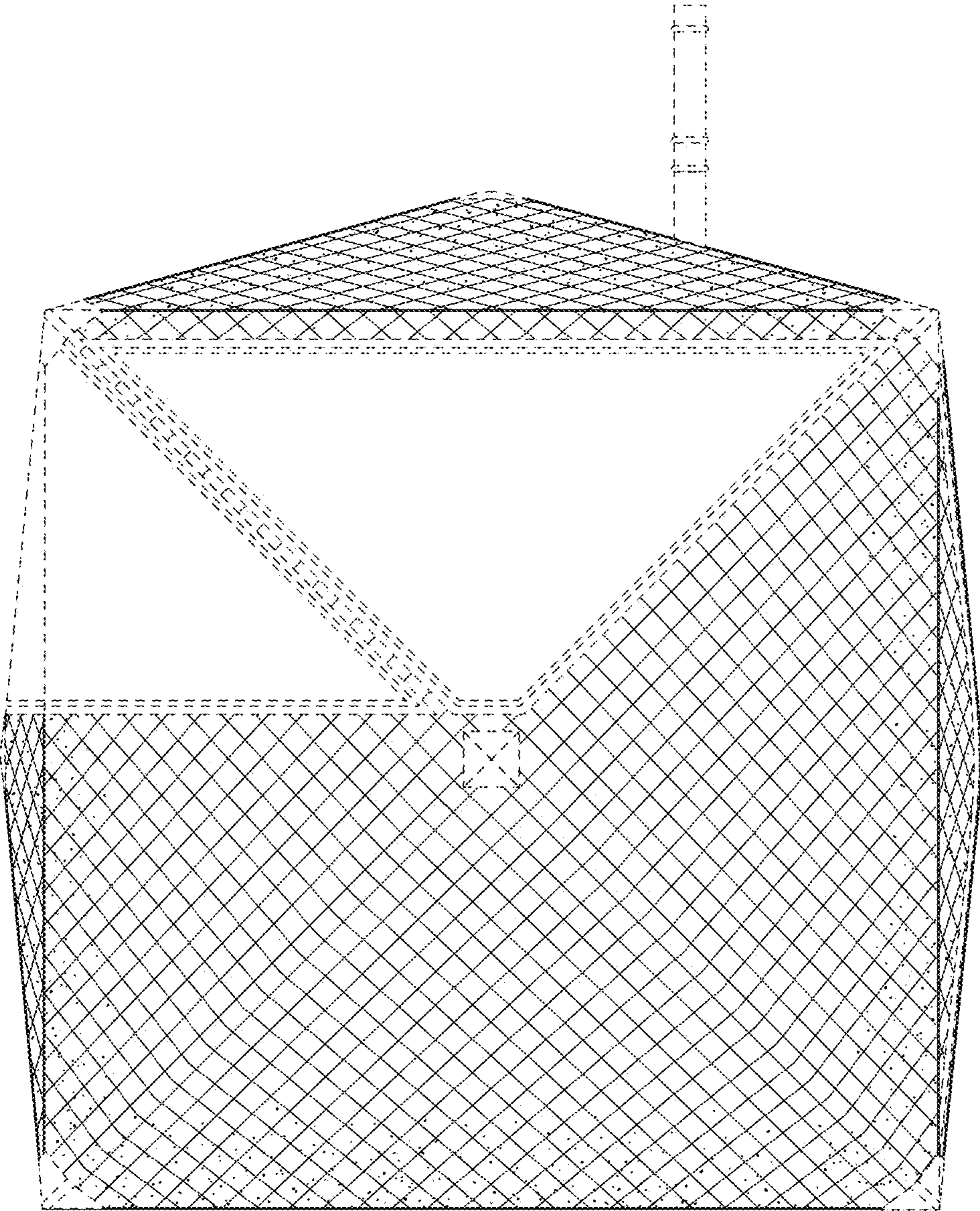


FIG. 3

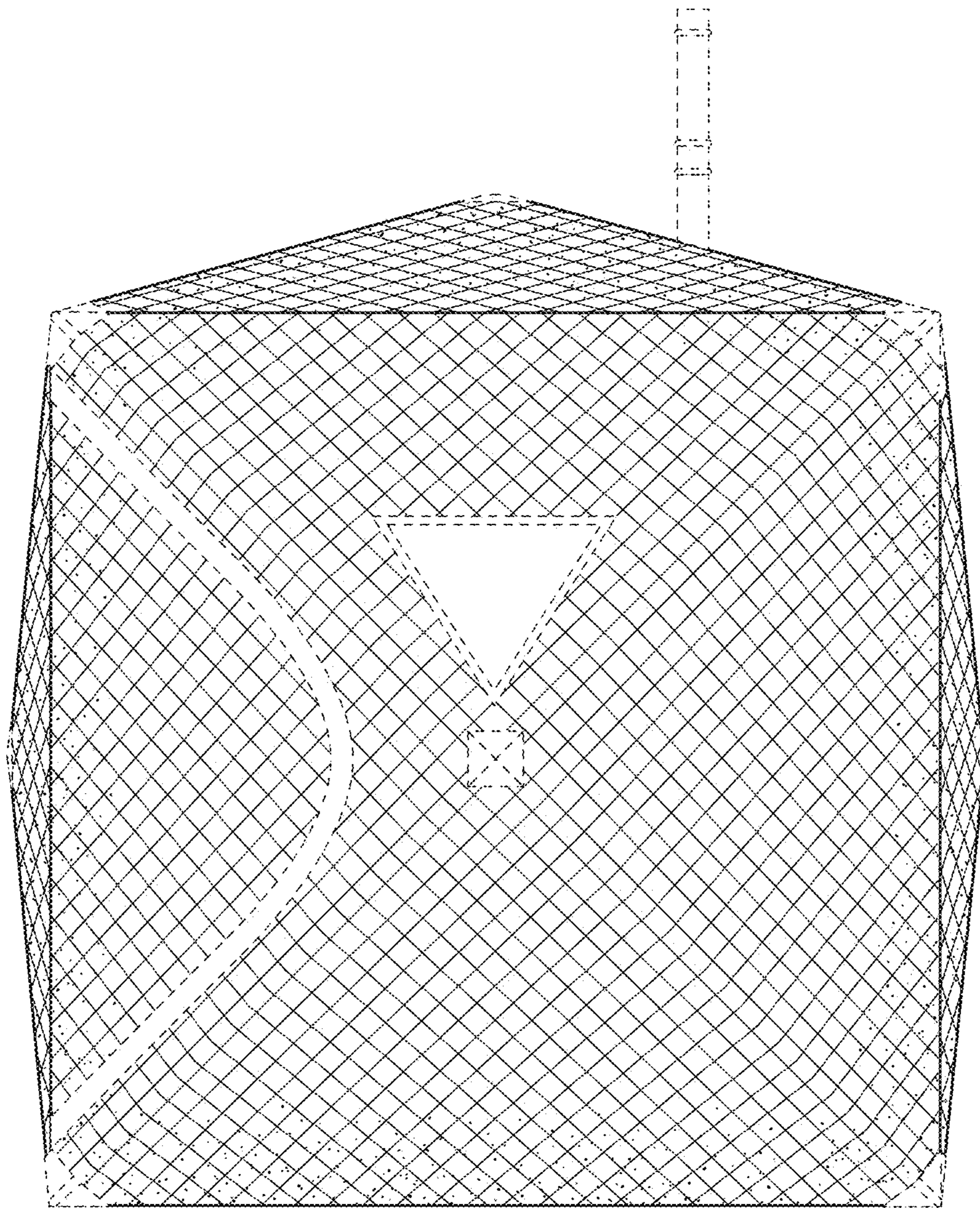


FIG. 4

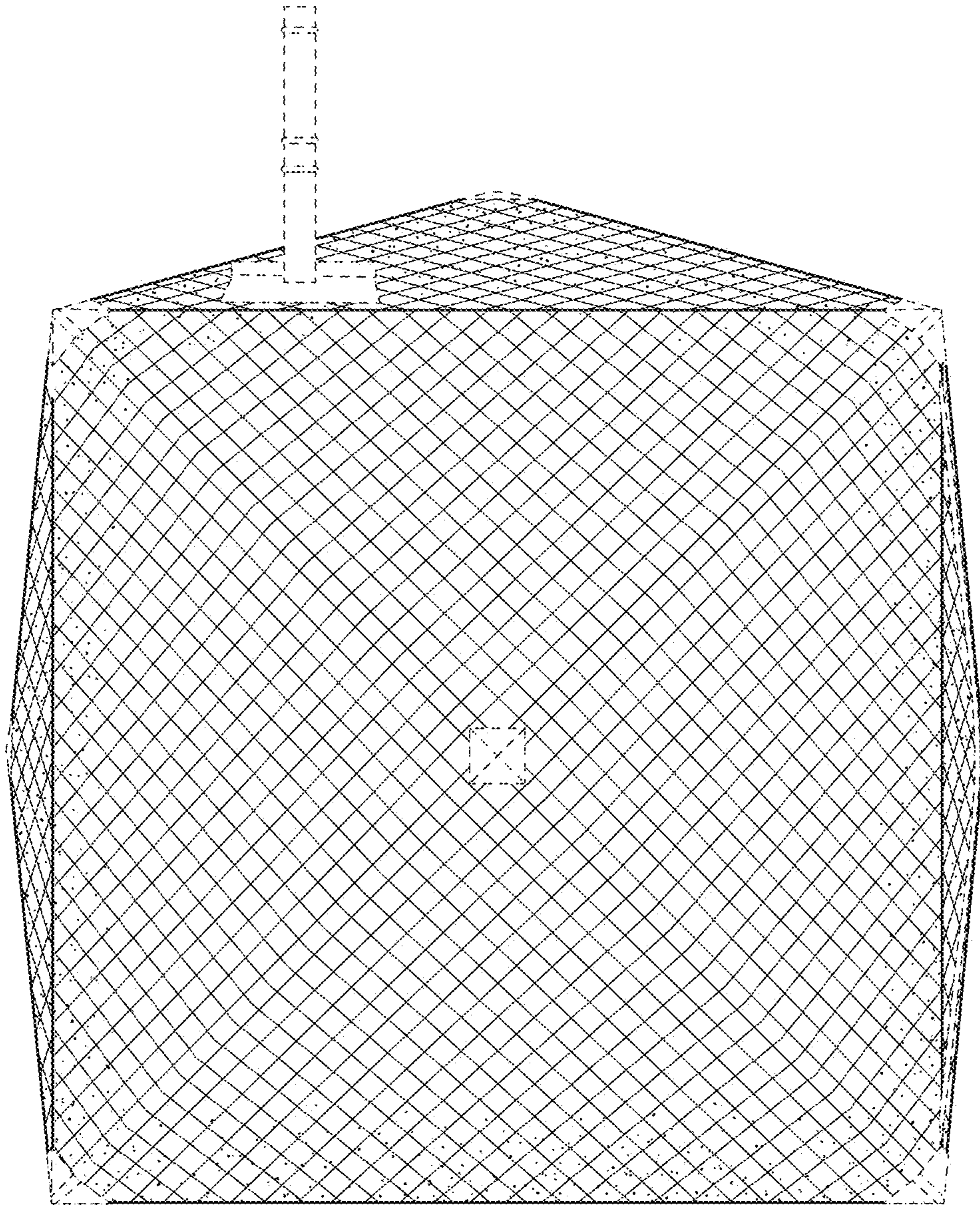


FIG. 5

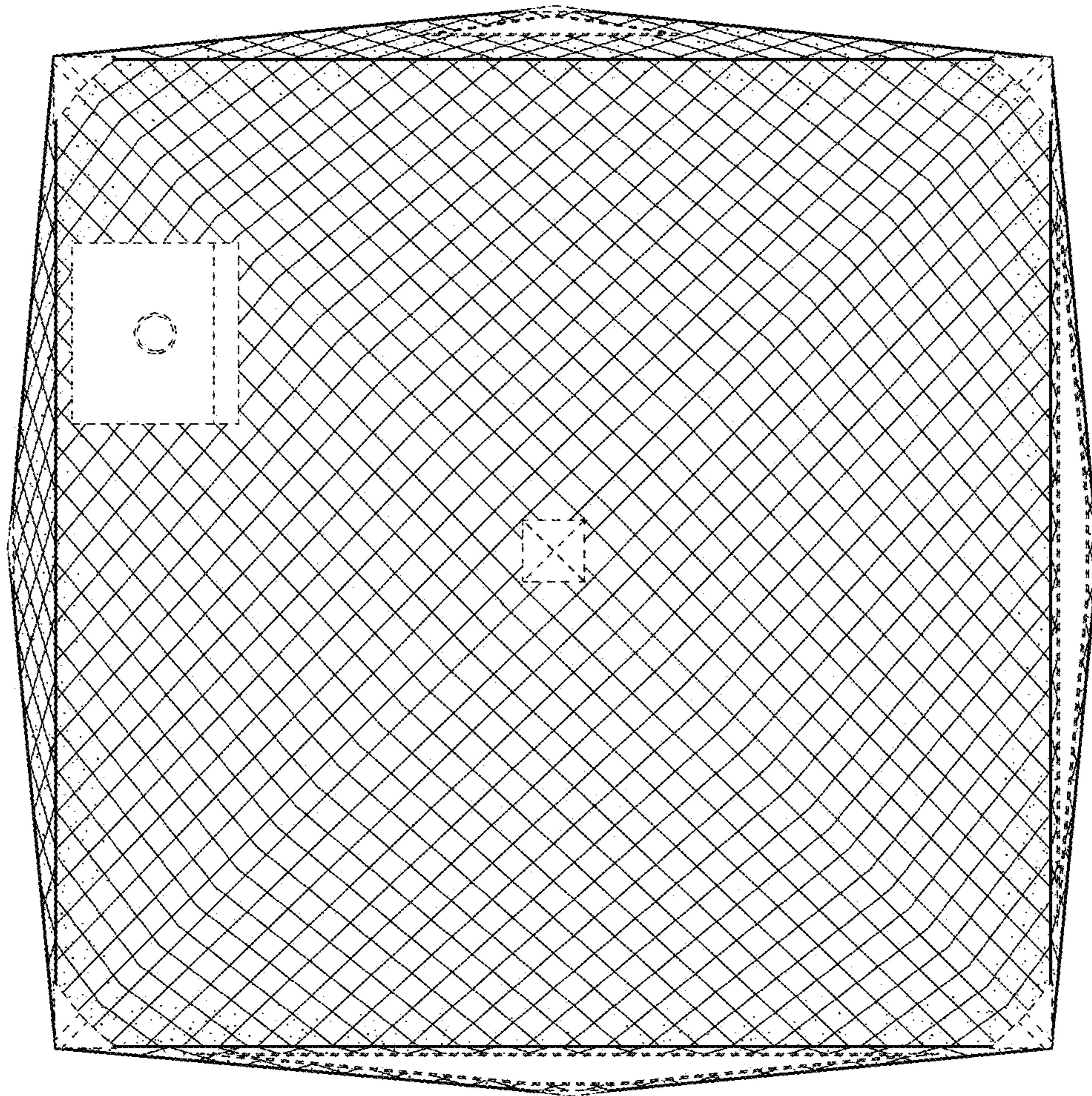


FIG. 6