



US0D1048305S

(12) **United States Design Patent**
Wu et al.

(10) **Patent No.:** **US D1,048,305 S**

(45) **Date of Patent:** **** Oct. 22, 2024**

(54) **WATER PURIFIER**

(71) Applicants: **Weijian Wu**, Jinhua (CN); **Chen Hu**, Jinhua (CN); **Shouwu Huang**, Jinhua (CN)

(72) Inventors: **Weijian Wu**, Jinhua (CN); **Chen Hu**, Jinhua (CN); **Shouwu Huang**, Jinhua (CN)

(**) Term: **15 Years**

(21) Appl. No.: **29/880,585**

(22) Filed: **Jul. 25, 2023**

(30) **Foreign Application Priority Data**

Apr. 19, 2023 (CN) 202330216780.3

(51) **LOC (14) Cl.** **23-01**

(52) **U.S. Cl.**
USPC **D23/209**

(58) **Field of Classification Search**
USPC D23/207, 208, 209, 210, 213; D24/162
CPC B01D 35/30; B01D 35/306; B01D 35/34;
B01D 2201/00; B01D 2201/29; B01D
2201/30; B01D 2221/02; C02F 2307/06;
C02F 1/003
See application file for complete search history.

(56) **References Cited**

U.S. PATENT DOCUMENTS

- 4,172,796 A * 10/1979 Corder F16K 11/083
210/281
- 4,504,389 A * 3/1985 Rundzaitis B01D 35/043
210/282
- 4,770,768 A * 9/1988 Lang C02F 1/28
210/232
- 4,814,078 A * 3/1989 Stern C02F 1/003
210/438
- D398,369 S * 9/1998 Hayes D23/209
- D398,703 S * 9/1998 Hayes D23/209

- 6,123,837 A * 9/2000 Wadsworth B01D 35/046
210/100
- D529,128 S * 9/2006 Lee D23/209
- D542,374 S * 5/2007 Green D23/209
- D574,925 S * 8/2008 Morita D23/209
- D575,376 S * 8/2008 Somerby D23/249

(Continued)

FOREIGN PATENT DOCUMENTS

CN 306934730 * 11/2021

OTHER PUBLICATIONS

Dekexi Water Filter for Sink, Jul. 24, 2023, Amazon, site visited Aug. 7, 2024: <https://www.amazon.com/dp/B0CCNCSHWT/> (Year: 2023).*

(Continued)

Primary Examiner — Jack Reickel
Assistant Examiner — Bobby W Jones, II

(57) **CLAIM**

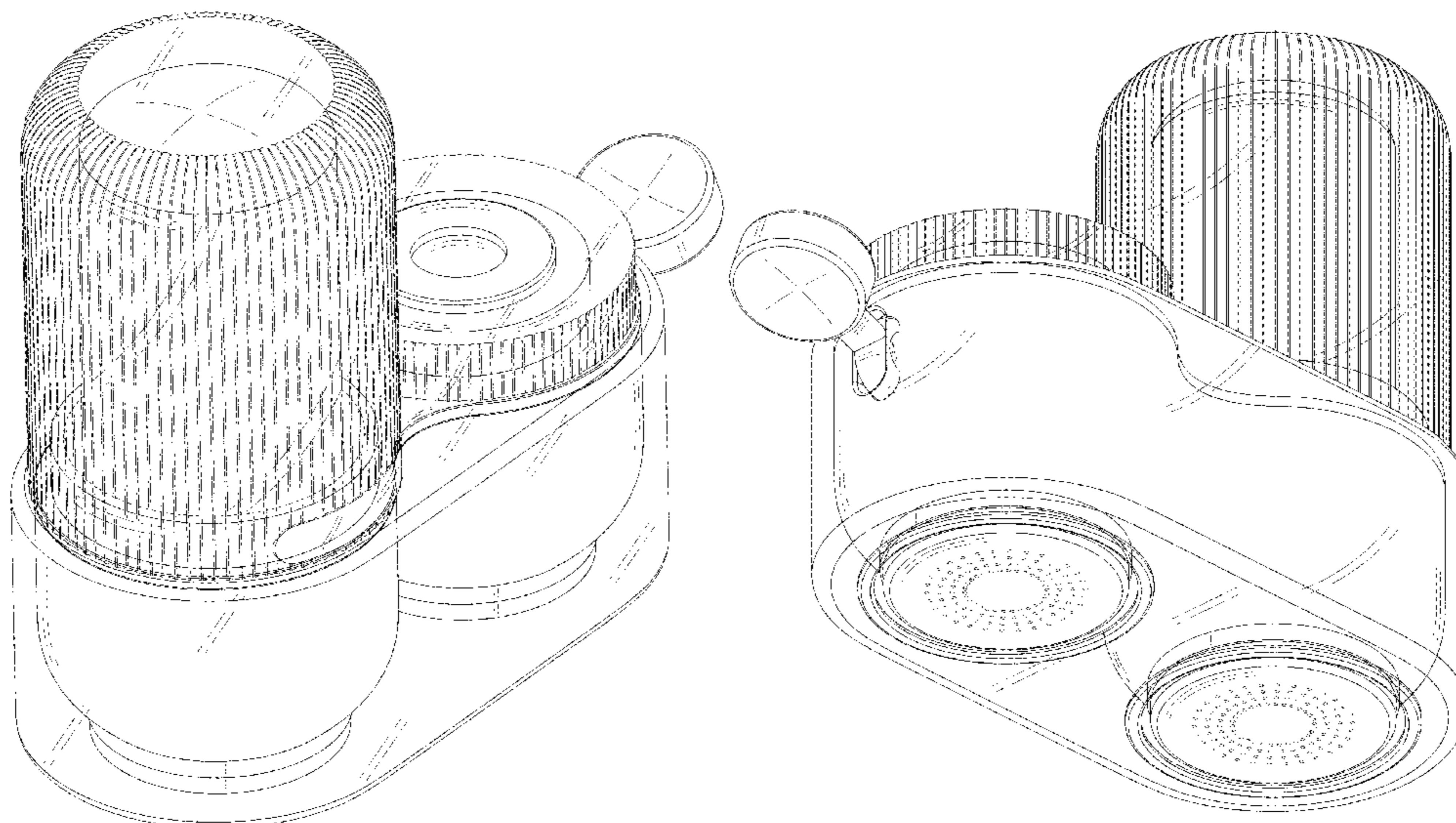
The ornamental design for a water purifier, as shown and described.

DESCRIPTION

FIG. 1 is a front, top and left-side perspective view of a water purifier showing my new design; FIG. 2 is a front elevation view thereof; FIG. 3 is a rear elevation view thereof; FIG. 4 is a left side elevation view thereof; FIG. 5 is a right side elevation view thereof; FIG. 6 is a top plan view thereof; FIG. 7 is a bottom plan view thereof; and, FIG. 8 is a rear, bottom and right-side perspective view thereof.

The broken lines throughout the drawing figures depict portions of the water purifier that form no part of the claimed design.

1 Claim, 8 Drawing Sheets



(56)

References Cited

U.S. PATENT DOCUMENTS

9,004,290 B2 * 4/2015 Tanner F16L 15/00
137/868
D794,747 S * 8/2017 Kimura D23/207
D794,748 S * 8/2017 Kimura D23/207
D822,791 S * 7/2018 Kawai D23/207
D861,128 S * 9/2019 Ye D23/209
D903,048 S * 11/2020 Lu D23/209
2006/0243654 A1 * 11/2006 Lee C02F 1/003
210/94
2015/0068987 A1 * 3/2015 Bassett C02F 1/003
210/433.1
2016/0319526 A1 * 11/2016 Xie C02F 1/003
2017/0088440 A1 * 3/2017 Lin C02F 1/288
2022/0259067 A1 * 8/2022 Hu F16K 35/04

OTHER PUBLICATIONS

Water Filter for Sink, Jul. 6, 2023, Amazon, site visited Aug. 7, 2024: <https://www.amazon.com/dp/B0C99BNBVB/> (Year: 2023).*

Lelekey Water Faucet Filtration System, Jul. 14, 2019, Amazon, site visited Aug. 7, 2024: <https://www.amazon.sa/-/en/dp/B07TWMSRKG/> (Year: 2019).*

* cited by examiner

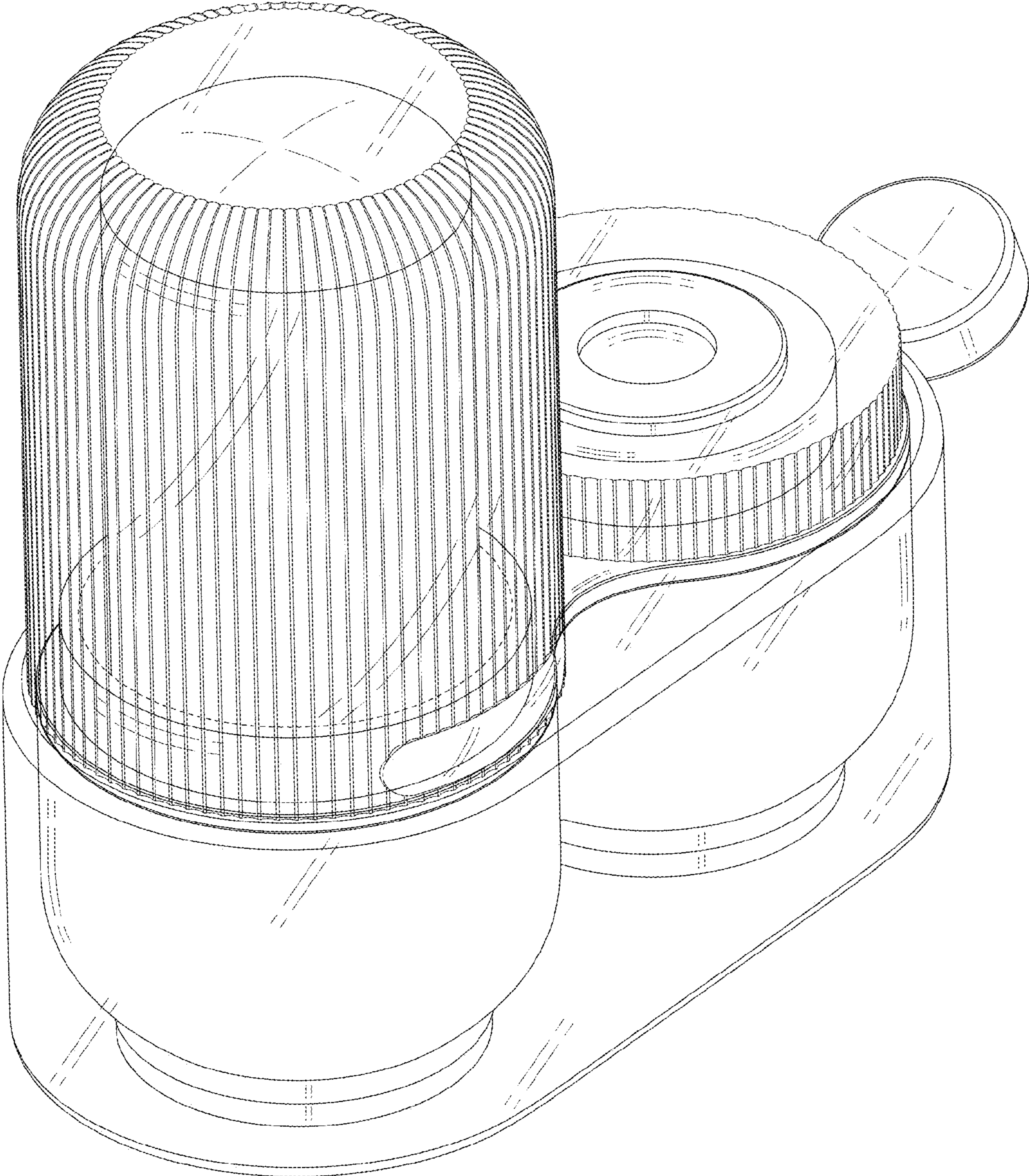


FIG.1

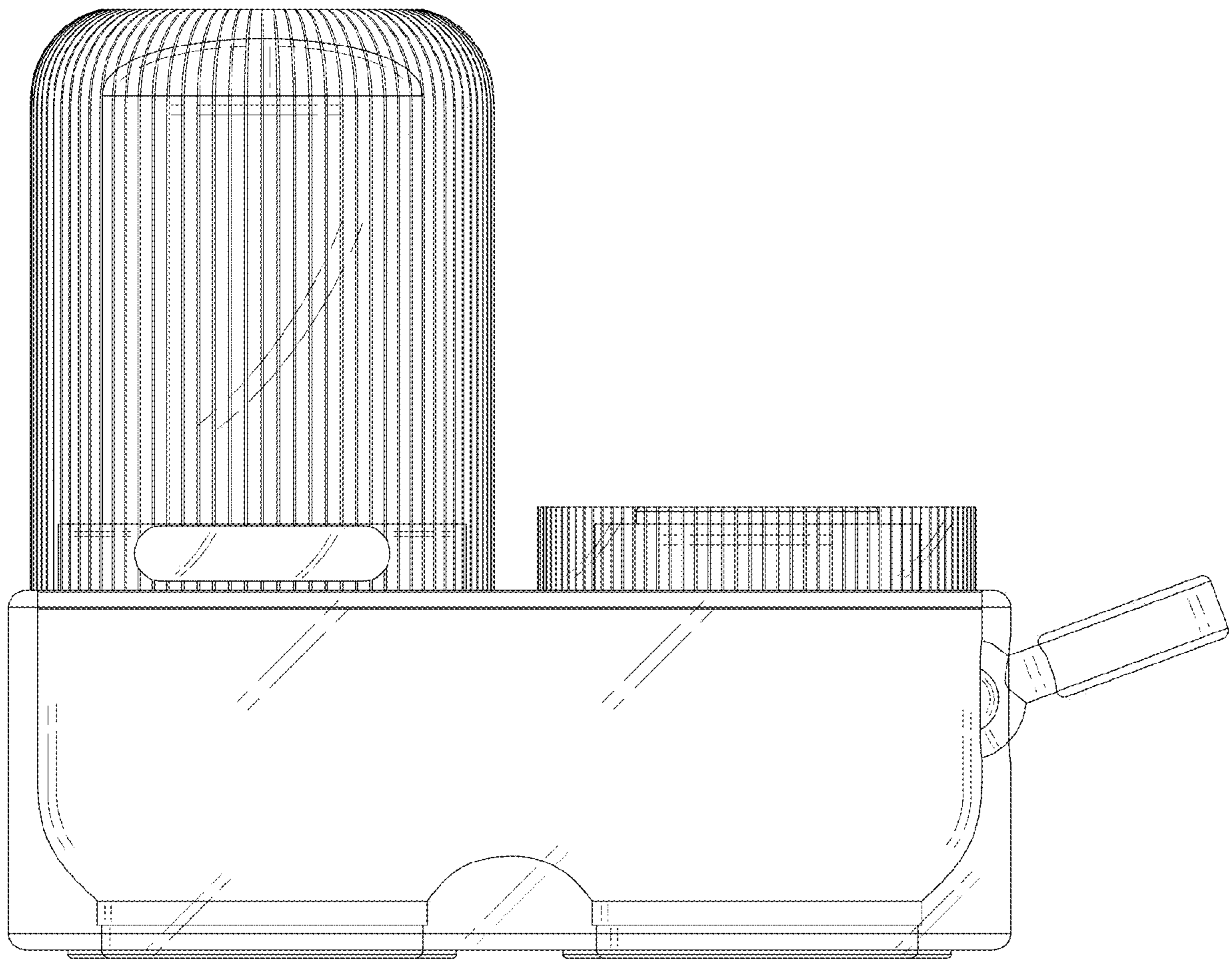


FIG.2

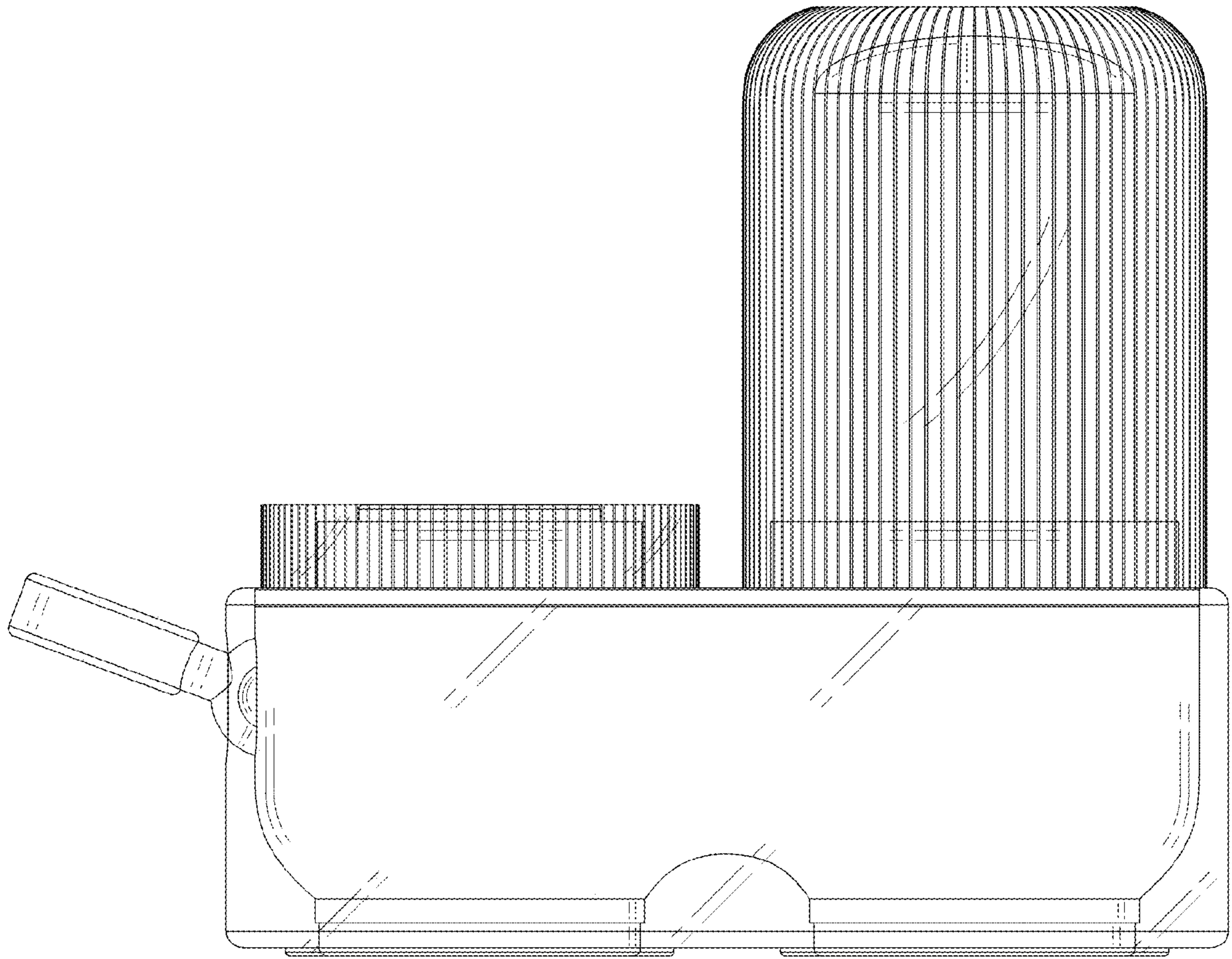


FIG.3

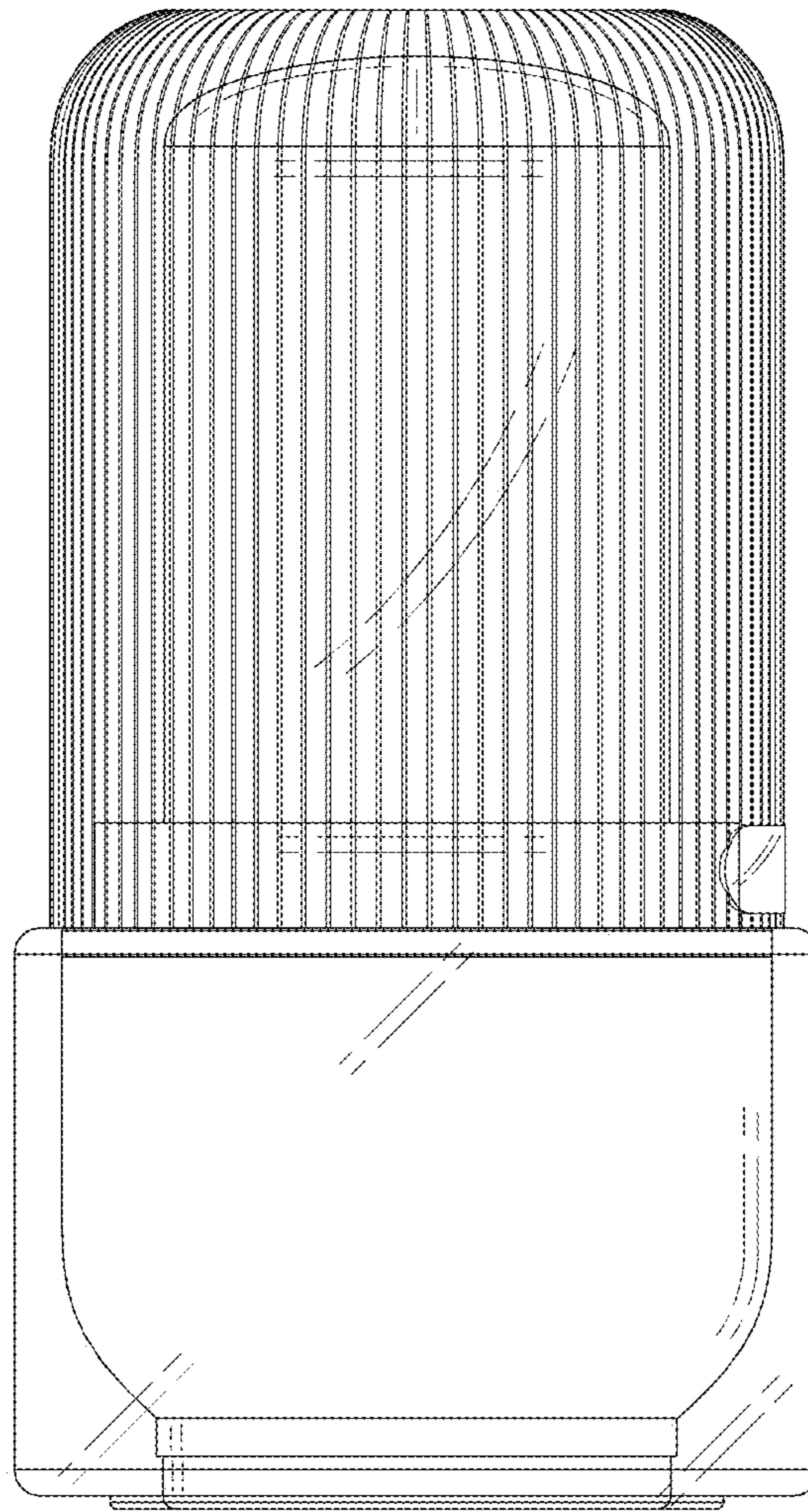


FIG. 4

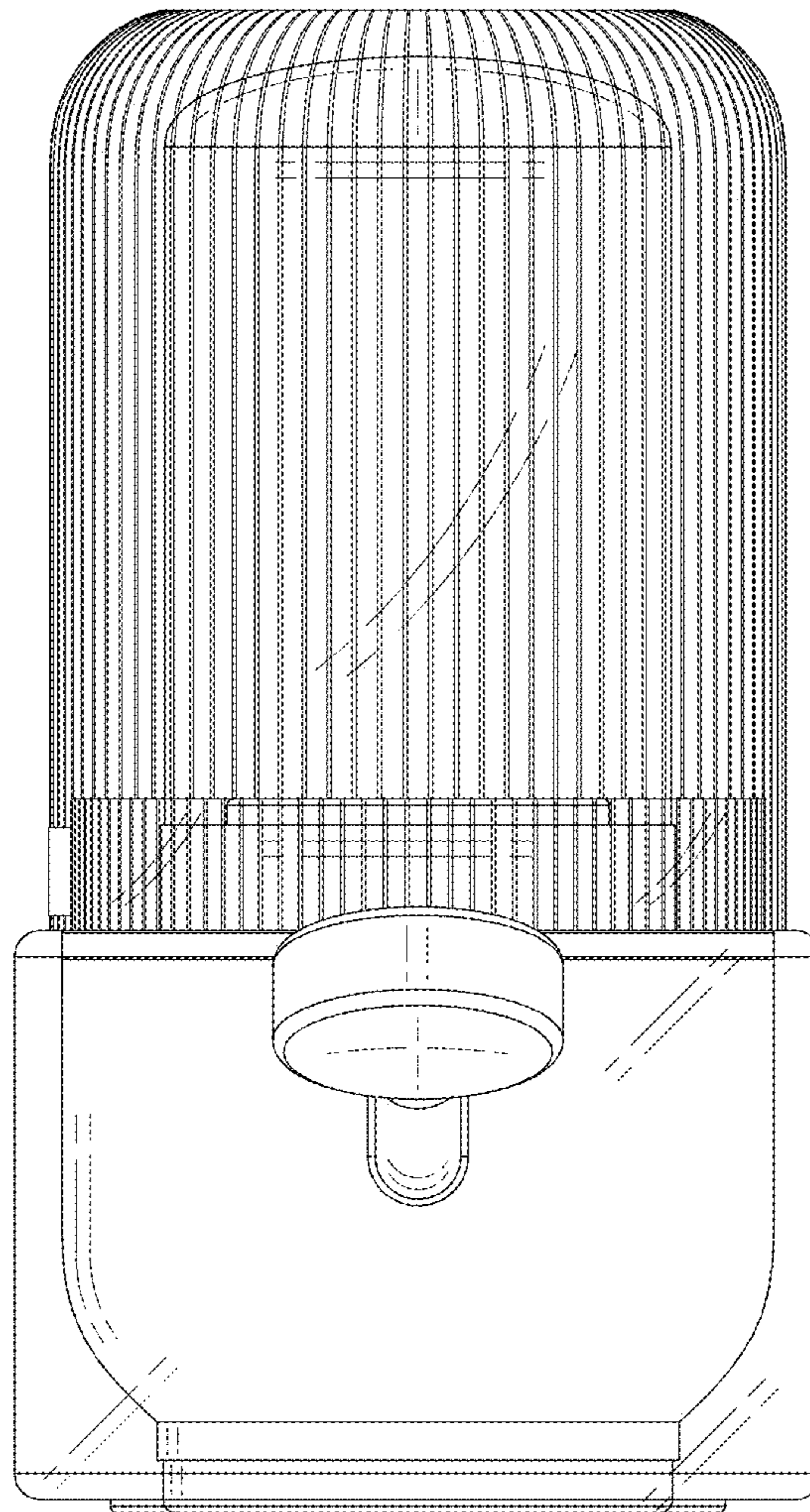


FIG.5

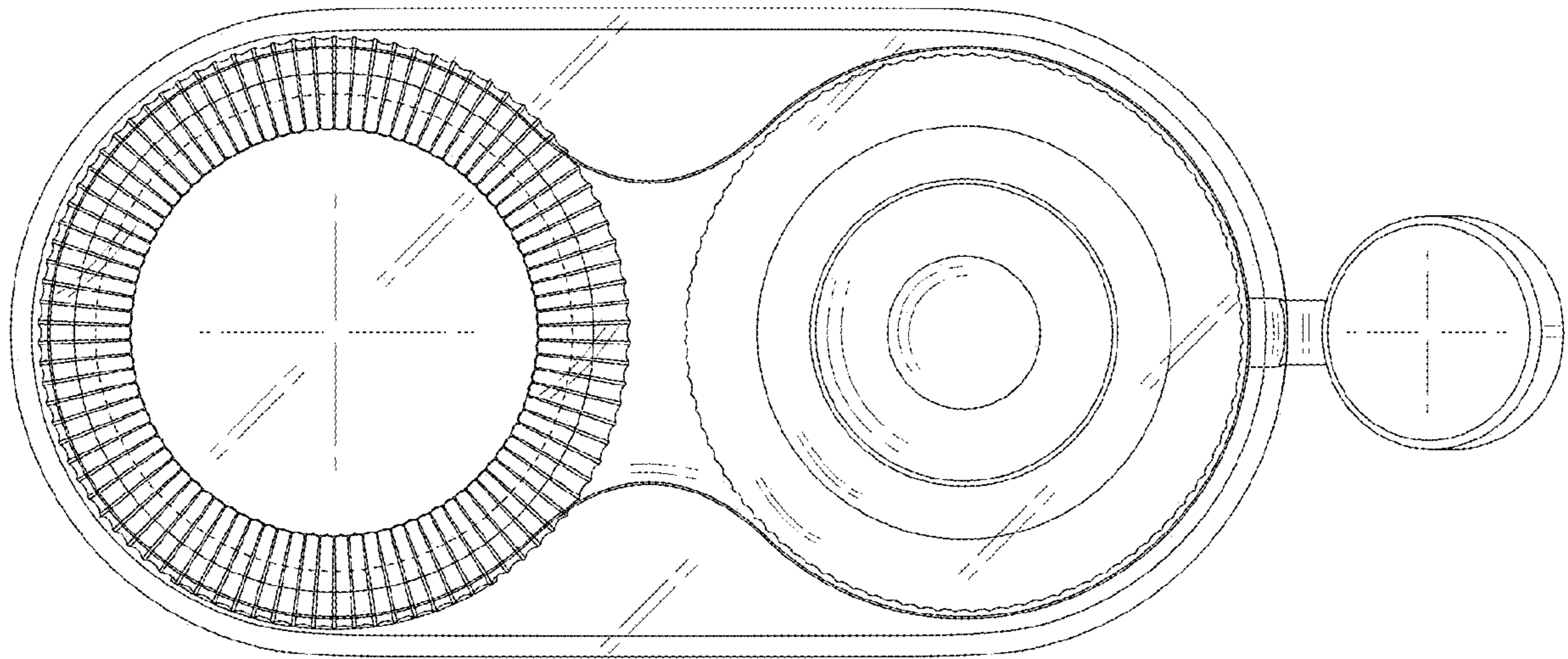


FIG.6

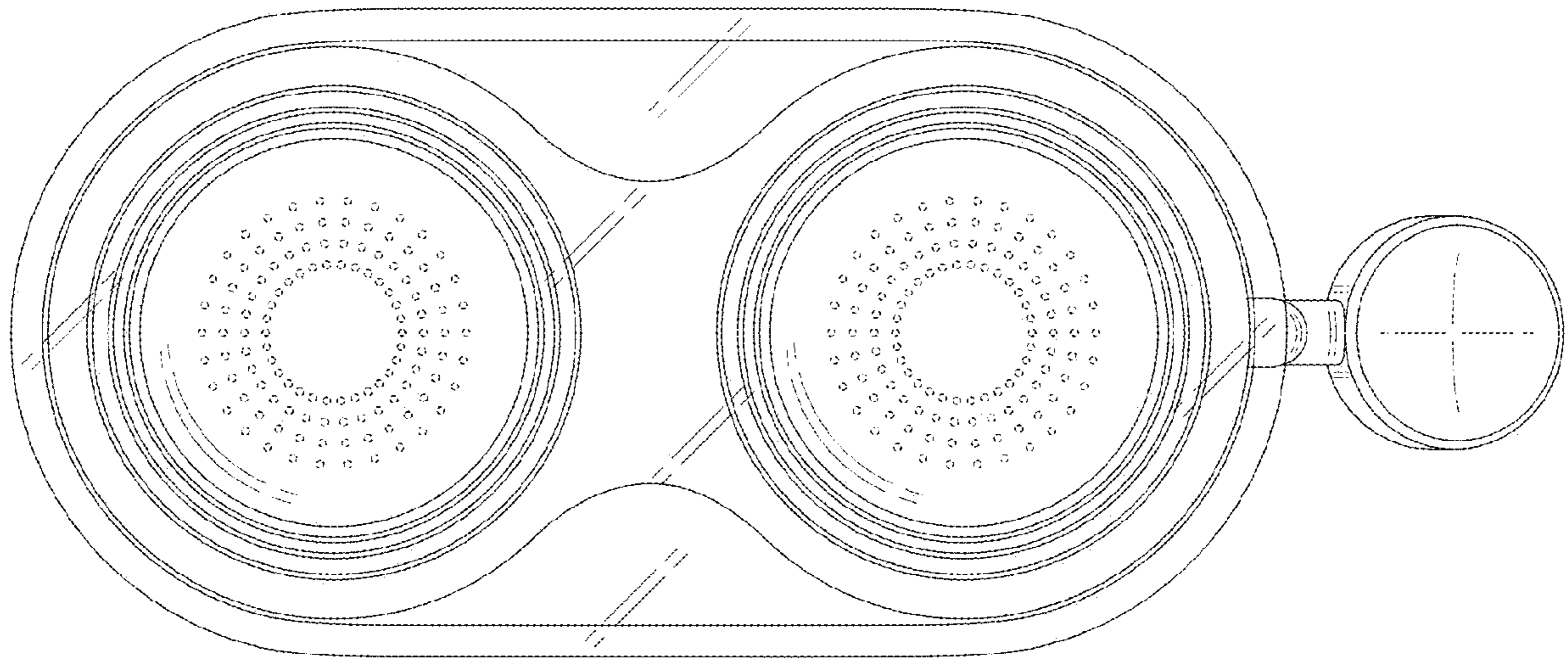


FIG.7

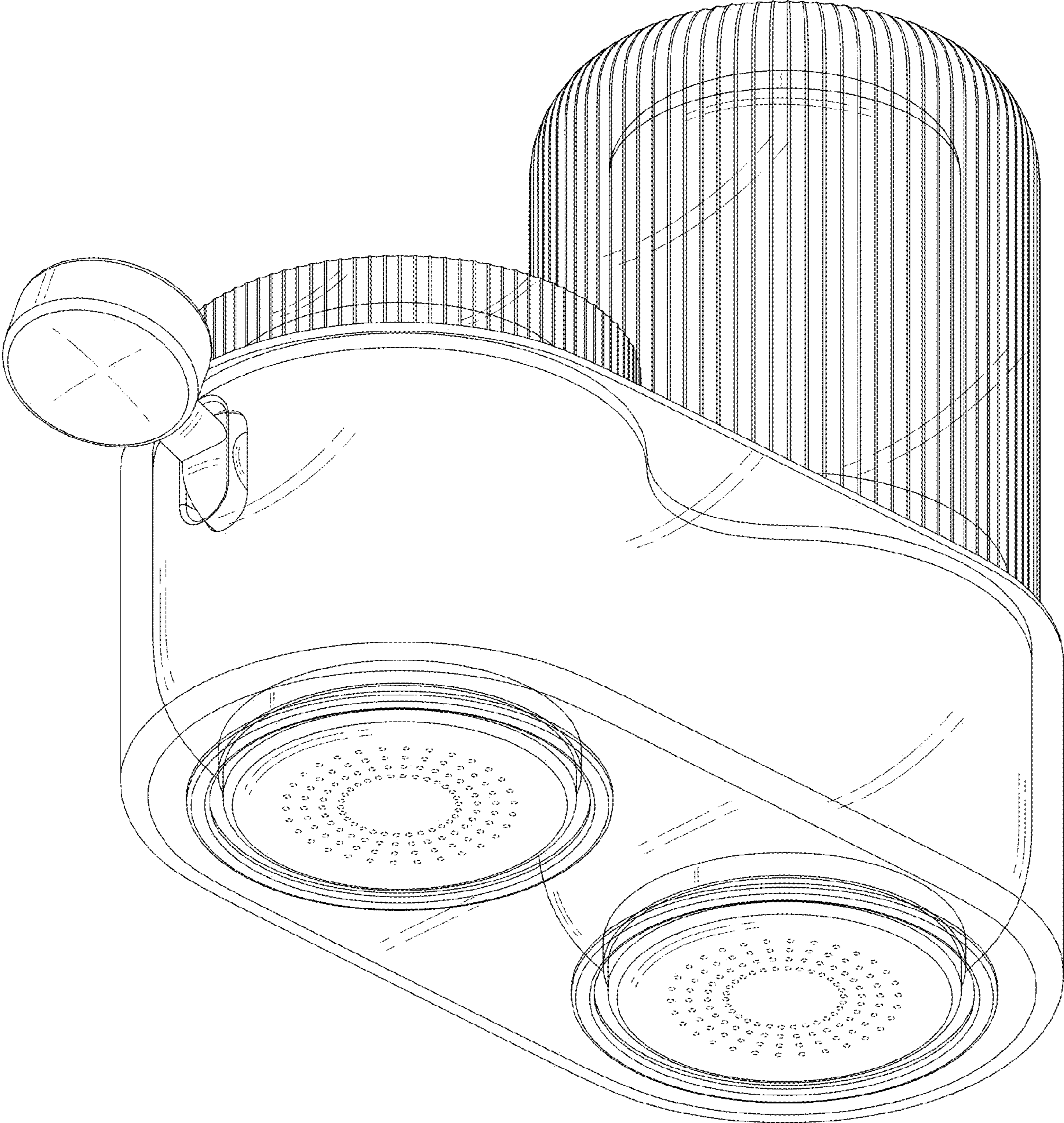


FIG.8