



US0D1048025S

(12) **United States Design Patent** (10) **Patent No.:** **US D1,048,025 S**  
**O'Brien et al.** (45) **Date of Patent:** **\*\* Oct. 22, 2024**

(54) **SMART CHIP HOUSING**

(71) Applicant: **AC Avalanche LLC**, Valley View, OH (US)

(72) Inventors: **Stephen William O'Brien**, Fort Worth, TX (US); **Todd Michael Coleman**, The Colony, TX (US)

(73) Assignee: **AC AVALANCHE, LLC**, Valley View, OH (US)

(\*\*) Term: **15 Years**

(21) Appl. No.: **29/733,002**

(22) Filed: **Apr. 29, 2020**

(51) **LOC (14) Cl.** ..... **14-02**

(52) **U.S. Cl.**  
USPC ..... **D14/435**

(58) **Field of Classification Search**  
USPC ..... D14/432, 110, 114, 125, 240, 242, D14/299-302, 314, 348-370, 435-438, D14/496, 478-480; D13/168, 173, 174, D13/103, 119, 162, 184, 199, 158; D18/1, 7, 9, 11; D3/273, 269, 201, D3/203.2, 207, 208, 212, 274, 247, 249; 361/679.33-679.45, 737, 752, 736, 728, 361/796, 797, 729, 730, 725-727; 340/710; 345/163, 173; 428/137-138, 428/140, 304.4, 457; 360/69, 97.02; D9/432; 235/441, 443, 487, 492, 493, 235/495; 257/678, 679, 693, E23.064; 439/946, 948, 159; 438/121; 710/300-303; 174/250, 260, 52.1, 52.2; 206/38, 39.4, 39.5; D8/347, 330, 331, D8/348; 70/336, 344-357, 360, 367-373, 70/393; D10/49-53, 106.9; D19/10  
CPC .... G06K 13/02; G06K 2201/02; G06K 11/16; G06K 1/14; G06K 19/06196; G06K 19/072; G06K 19/0721; G06K 19/0722; G06K 19/0723; G06K 19/0724; G06K 19/0725; G06K 19/0726; G06K 19/0727; G06K 19/0728; G06K 19/073; G06K

19/07309; G06K 19/077; G06K 19/07701; G06K 19/07715; G06K 19/0772; G06K 19/07724; G06K 19/07726; G06K 19/07728; G06F 21/86; G06F 21/87; G06F 21/77-80; G06F 21/85-88; G06F 21/00;  
(Continued)

(56) **References Cited**

U.S. PATENT DOCUMENTS

6,997,605 B2 \* 2/2006 Trapp ..... B60H 1/00792 374/208  
7,260,943 B2 8/2007 Carrubba et al.  
(Continued)

OTHER PUBLICATIONS

Avalanche A/C Smartchip Temp. Gauge clipon, <https://www.youtube.com/watch?v=FI1gxP67YvA> (Year: 2022).\*

*Primary Examiner* — Susan Moon Lee

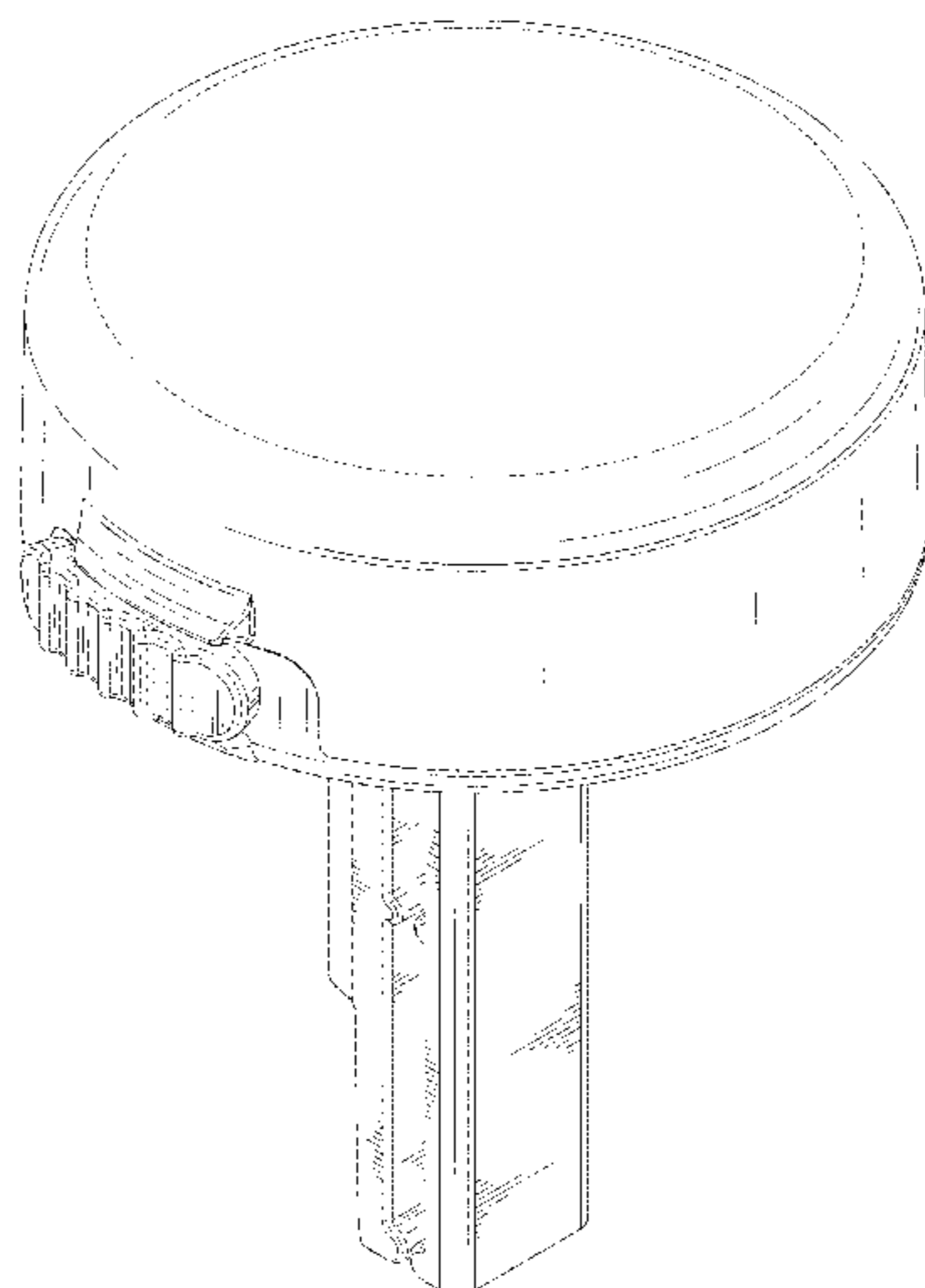
(57) **CLAIM**

The ornamental design for a smart chip housing, as shown and described.

**DESCRIPTION**

FIG. 1 is a perspective view from the top-right of the smart chip housing;  
FIG. 2 is a front view thereof;  
FIG. 3 is a back view thereof;  
FIG. 4 is a left side view thereof;  
FIG. 5 is a right side view thereof;  
FIG. 6 is a top view thereof;  
FIG. 7 is a bottom view thereof; and,  
FIG. 8 is a perspective view from the bottom-right thereof.  
The features shown in broken lines are for the purpose of illustrating portions of the article that form no part of the claimed design.

**1 Claim, 8 Drawing Sheets**



(58) **Field of Classification Search**

CPC .. G06Q 20/3229; G06Q 20/34; G06Q 20/341;  
 G06Q 20/346; G06Q 20/349; G06Q  
 20/3563; G06Q 20/3567; G06Q 20/357;  
 G06Q 20/3576; H05K 5/026; H05K  
 5/0256; H05K 5/0265; H05K 5/0269;  
 H05K 5/0273; H05K 5/0278; H05K  
 5/0282; H05K 5/0286; H05K 5/0291;  
 H05K 5/0295; H05K 5/03; H05K 5/04;  
 H05K 5/06; H05K 5/061; H05K 5/062;  
 H05K 5/063; H05K 5/064; H05K 5/065;  
 H05K 5/066; H05K 5/067; H05K 5/068;  
 H05K 5/069; H05K 7/00; H05K 7/005;  
 H05K 7/02; H05K 7/023; H05K 7/026;  
 H05K 7/04; H05K 7/10; H05K 7/1418;  
 H05K 7/142; H05K 7/1424; H05K  
 7/1427-1439; H05K 7/1461; H05K  
 7/1464-1474; H05K 7/1479; H05K  
 7/1481; H05K 7/1485-1488; H05K  
 2201/09745; H05K 2201/09754; H05K  
 2201/09763; H05K 2201/09772; H05K  
 2201/098; H05K 2201/09818; H05K  
 2201/10; H05K 2201/10007; H04N  
 2201/216; A44B 15/00-007; E05B 35/00;  
 E05B 35/001; E05B 35/008; E05B  
 35/006; E05B 35/007; E05B 35/06; E05B  
 19/00; E05B 19/0017; E05B 19/0041;  
 E05B 19/0047; E05B 27/02

See application file for complete search history.

(56) **References Cited**

U.S. PATENT DOCUMENTS

7,467,891 B2 \* 12/2008 Gennissen ..... G01L 19/0092  
 374/E13.006

8,038,345 B2 \* 10/2011 Stoll ..... G01K 13/02  
 374/143  
 D708,978 S \* 7/2014 Gelowitz ..... G06K 19/07749  
 D10/106.9  
 9,933,318 B2 4/2018 Quest  
 10,173,492 B2 1/2019 Quest  
 10,286,750 B2 \* 5/2019 Park ..... G01N 21/53  
 10,309,853 B2 \* 6/2019 Gilman ..... G01K 13/00  
 10,401,230 B2 \* 9/2019 Fujisawa ..... G01K 1/08  
 10,508,955 B2 \* 12/2019 Weigand ..... G01K 1/14  
 10,850,591 B2 \* 12/2020 Kuo ..... B60H 1/00807  
 11,400,792 B2 \* 8/2022 Kwon ..... B60H 1/0075  
 D967,785 S \* 10/2022 O'Brien ..... D13/184  
 11,554,381 B2 \* 1/2023 O'Brien ..... B65D 83/24  
 2004/0223534 A1 \* 11/2004 Trapp ..... G01K 1/20  
 374/E1.023  
 2009/0245324 A1 \* 10/2009 Sunaga ..... G01K 1/14  
 250/206  
 2010/0002745 A1 \* 1/2010 Stoll ..... G01L 19/0092  
 219/121.64  
 2012/0057993 A1 \* 3/2012 Chikagawa ..... F04F 5/46  
 417/54  
 2013/0195144 A1 \* 8/2013 Hatano ..... G01K 1/14  
 374/208  
 2016/0011059 A1 \* 1/2016 Quest ..... G01K 1/14  
 374/162  
 2017/0072769 A1 \* 3/2017 Quest ..... B65D 83/756  
 2018/0031427 A1 \* 2/2018 Fujisawa ..... G01K 13/02  
 2018/0058942 A1 \* 3/2018 Weigand ..... B60R 21/015  
 2019/0168572 A1 \* 6/2019 Kuo ..... B60H 1/00585  
 2019/0353547 A1 \* 11/2019 Gilman ..... G01K 13/00  
 2021/0072091 A1 \* 3/2021 Lin ..... G01K 13/02  
 2021/0129622 A1 \* 5/2021 Kuo ..... G01K 1/028  
 2024/0175775 A1 \* 5/2024 Sangermano ..... G01K 1/08  
 2024/0190208 A1 \* 6/2024 Oh ..... B60H 1/00792

\* cited by examiner

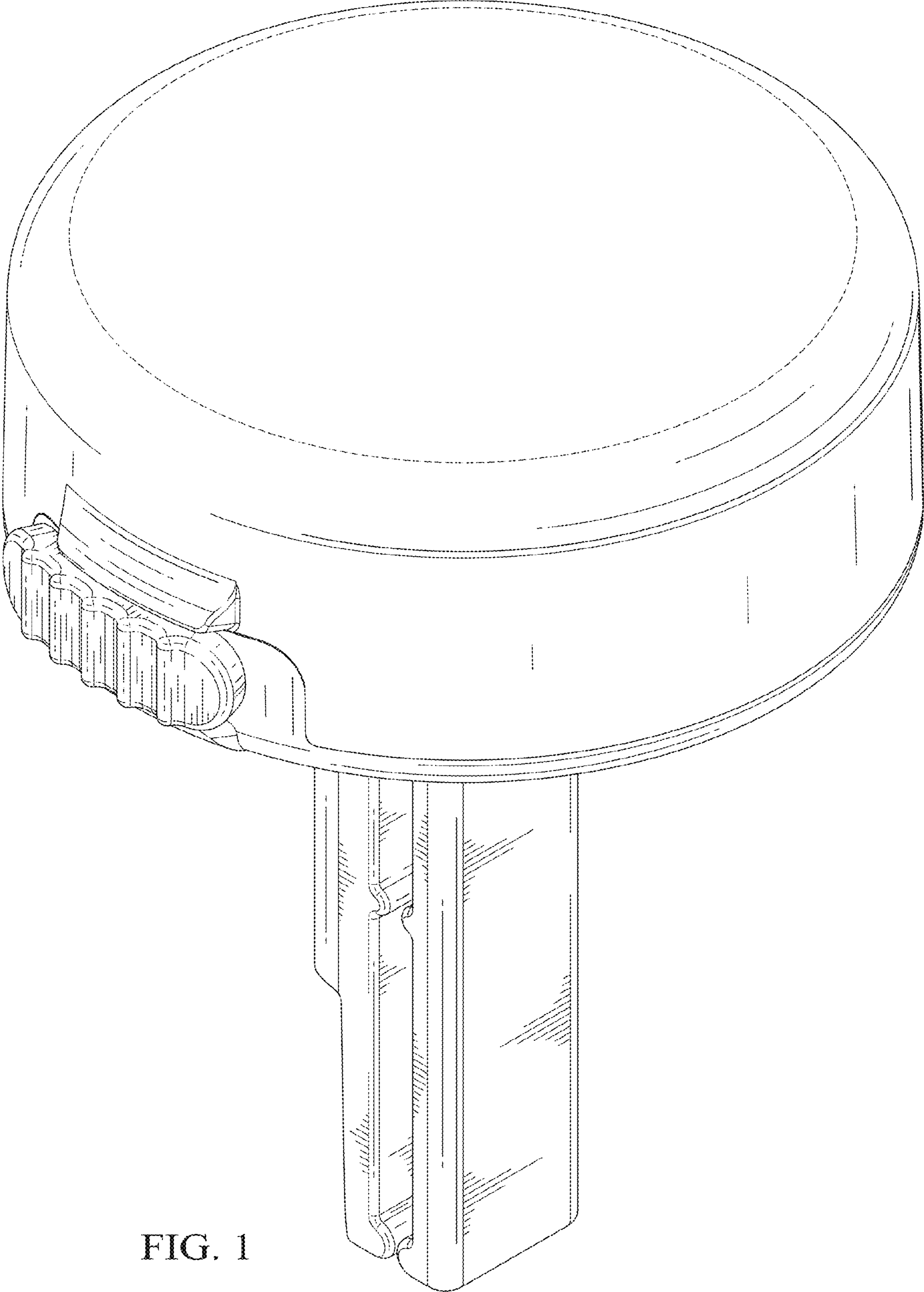


FIG. 1

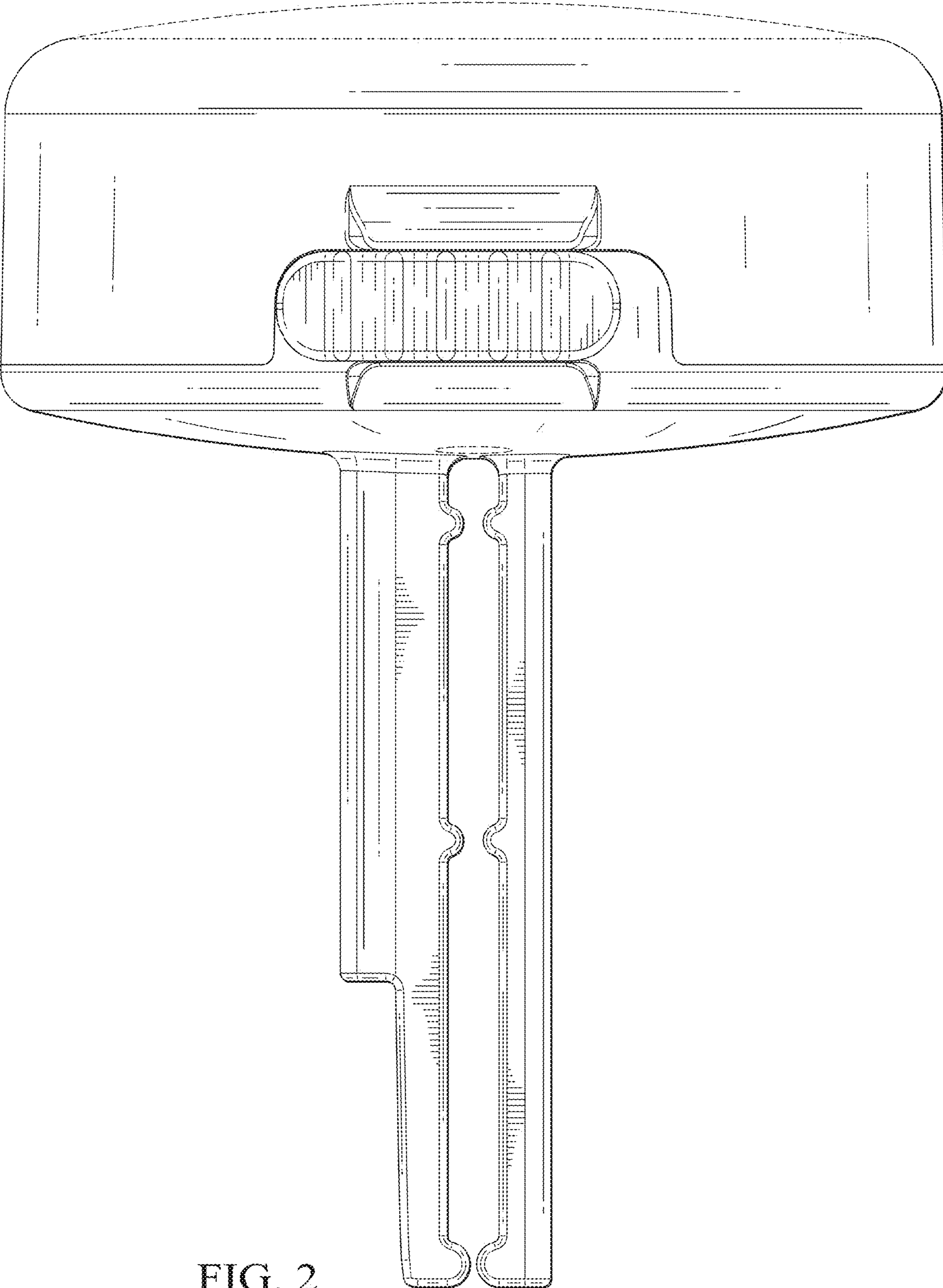


FIG. 2

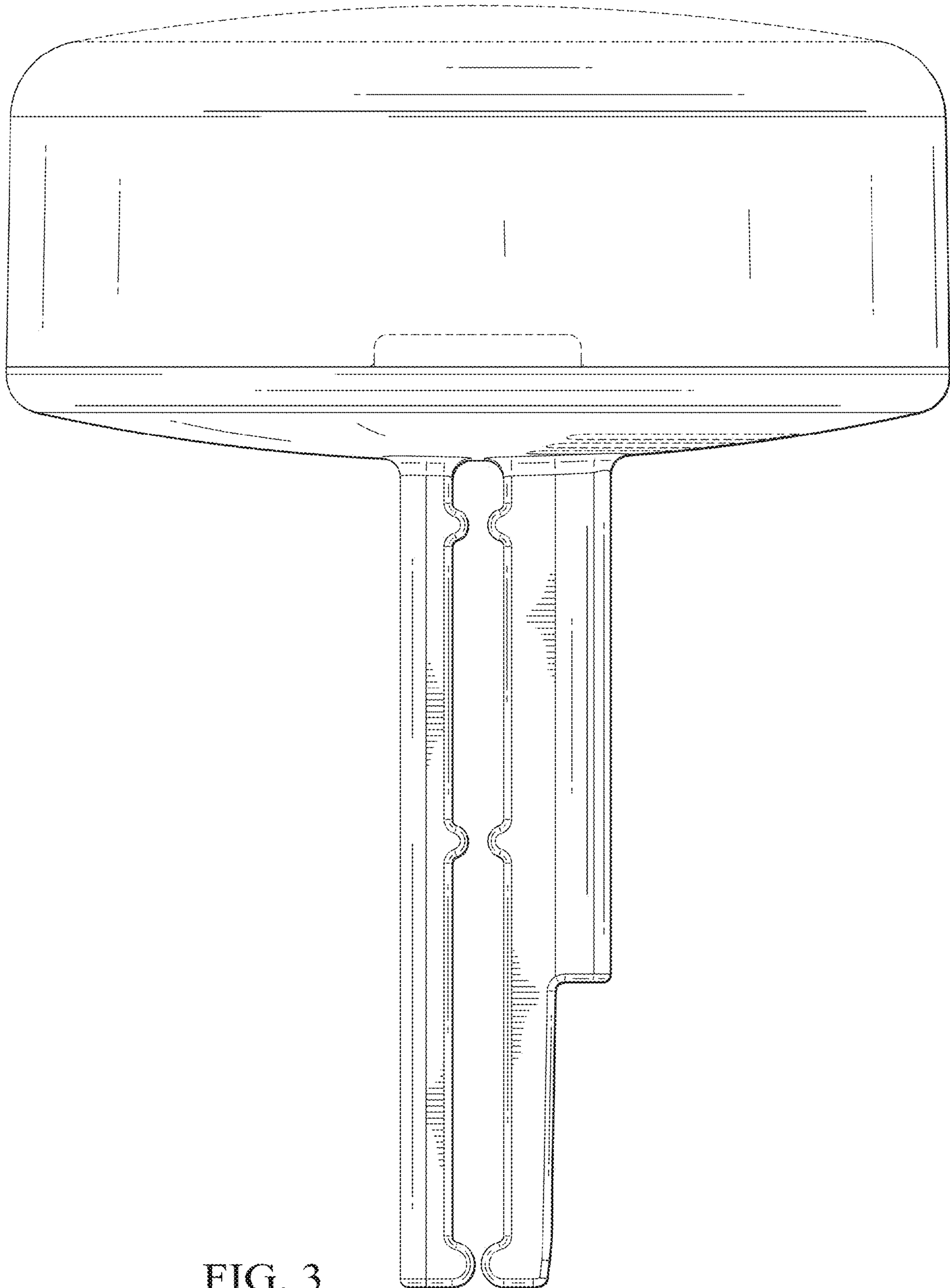


FIG. 3

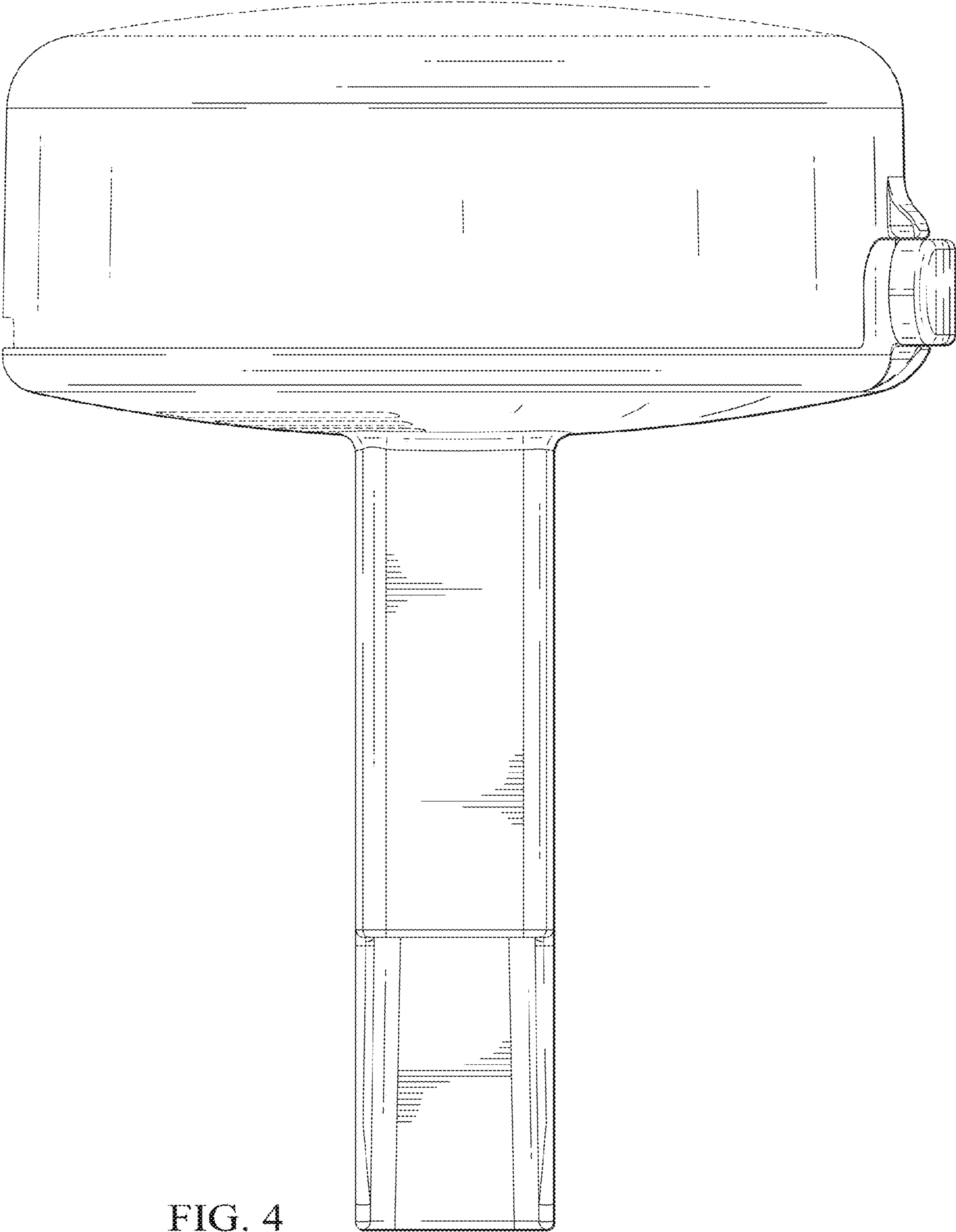


FIG. 4

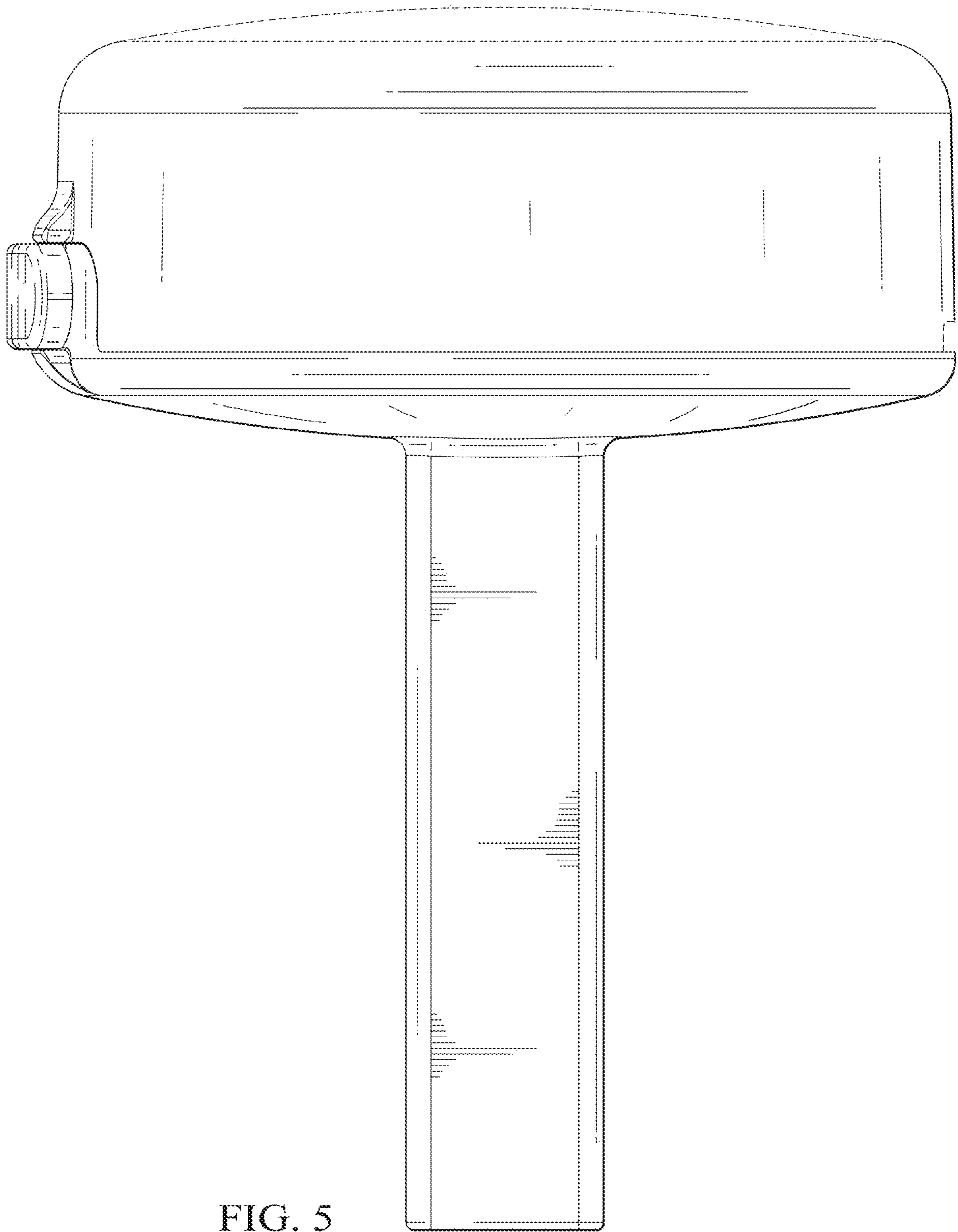


FIG. 5

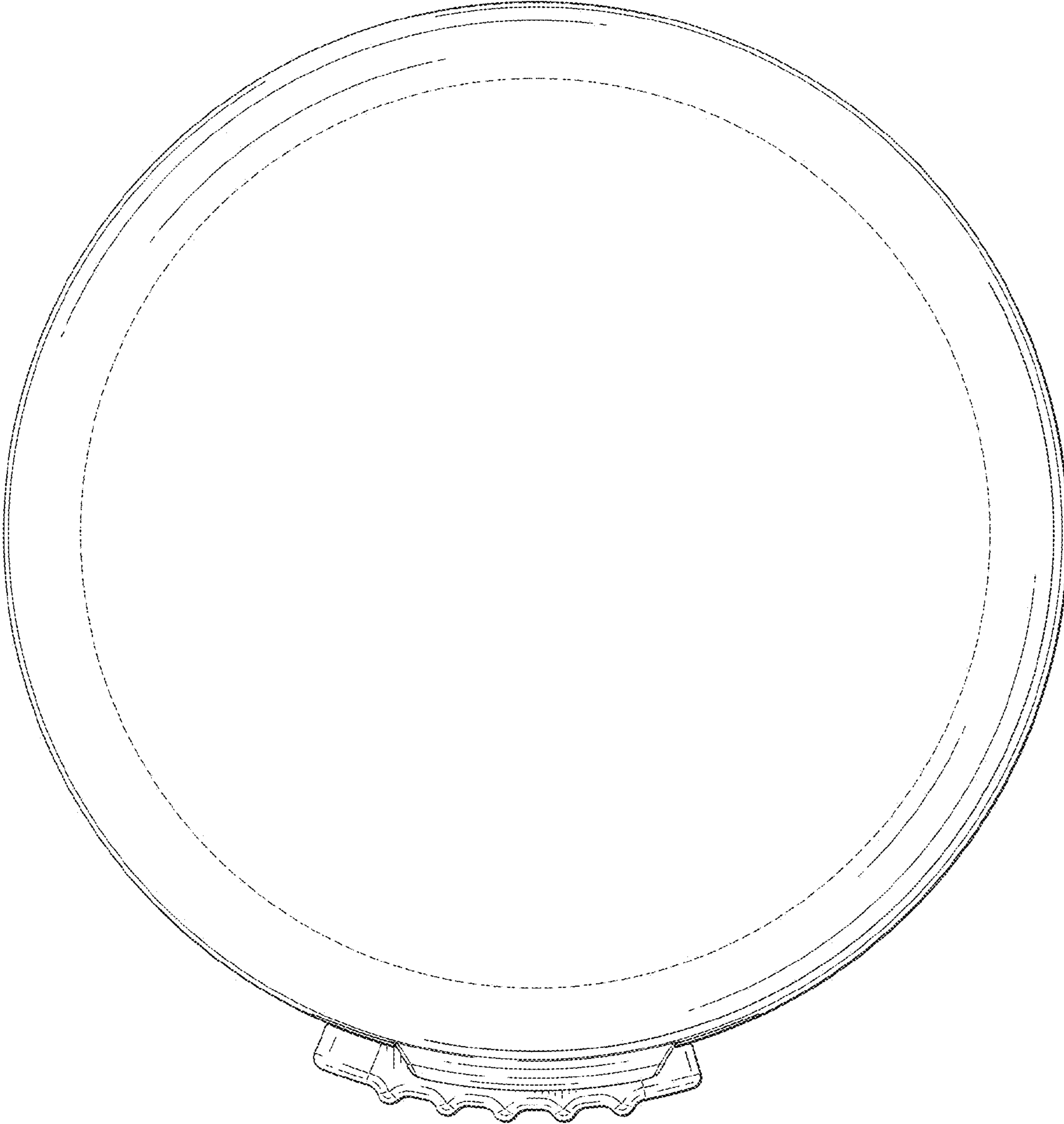


FIG. 6



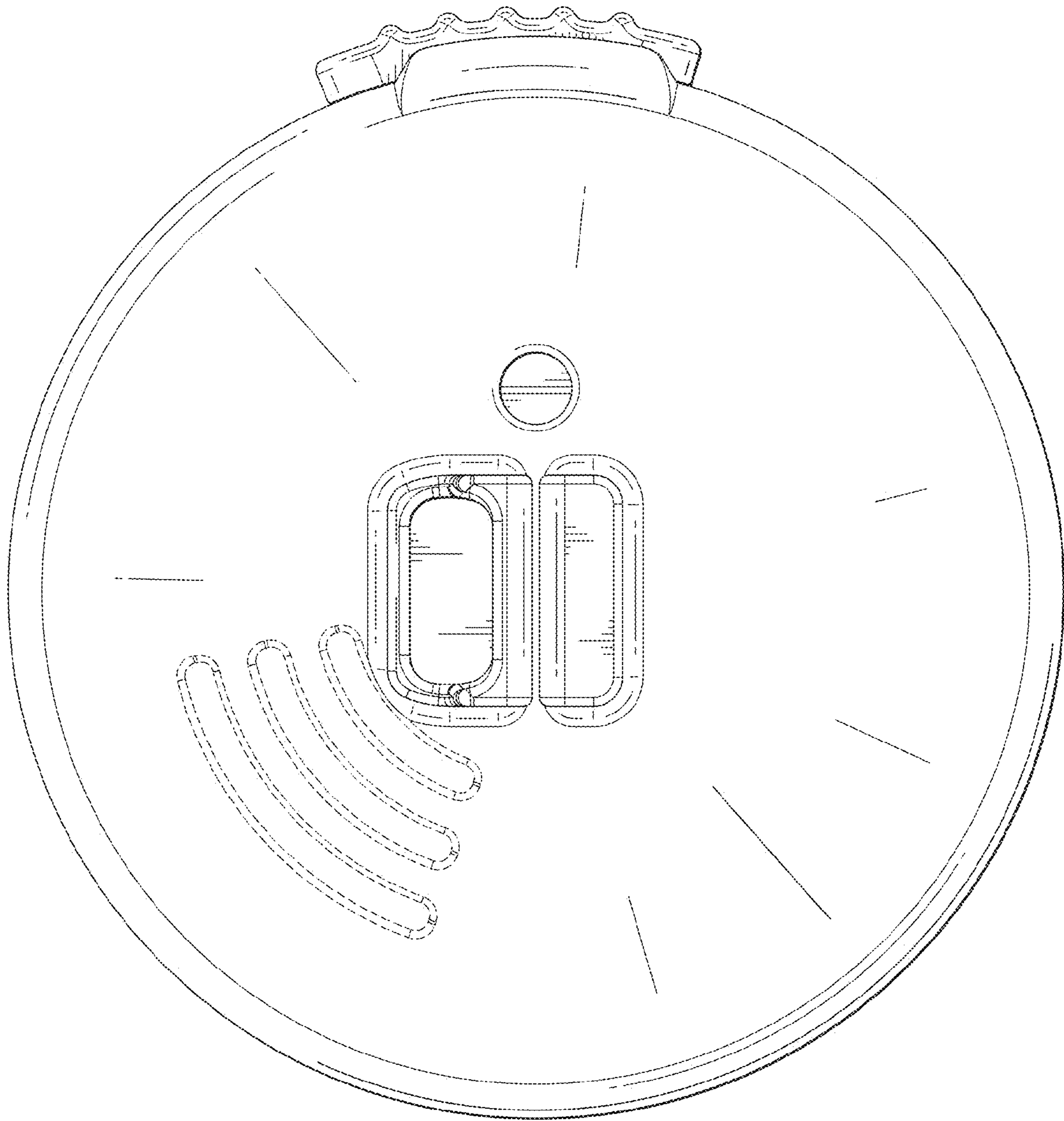


FIG. 7

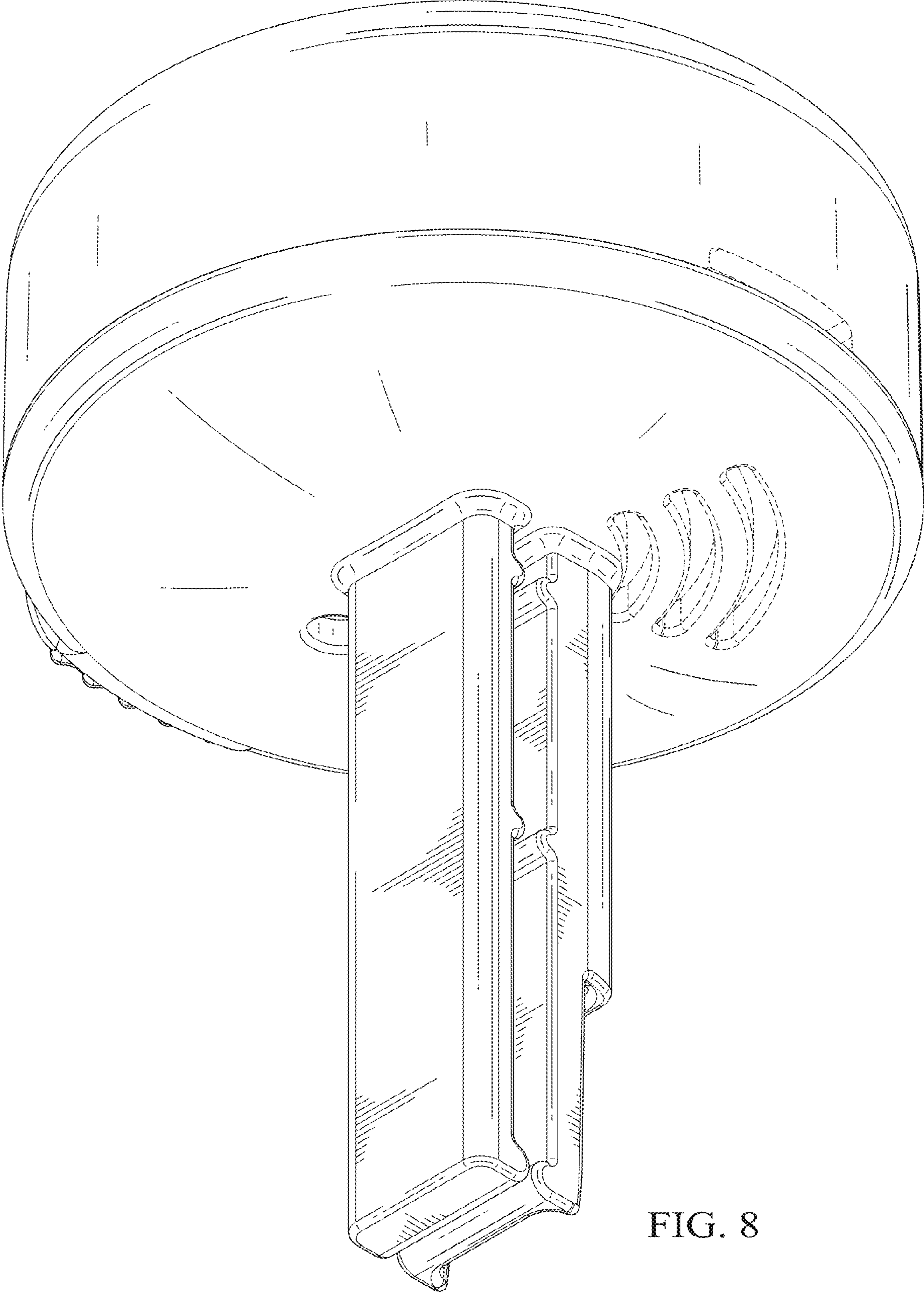


FIG. 8