



US0D1047786S

(12) **United States Design Patent** (10) **Patent No.:** **US D1,047,786 S**
Ewing et al. (45) **Date of Patent:** **** Oct. 22, 2024**

(54) **MODEL VEHICLE CHASSIS**

FOREIGN PATENT DOCUMENTS

(71) Applicant: **TRAXXAS, L.P.**, McKinney, TX (US)

EM 008305460-0004 12/2020
EM 008305460-0005 12/2020

(72) Inventors: **Adam Cole Ewing**, McKinney, TX (US); **Otto Karl Allmendinger**, Rowlett, TX (US); **Terry Soward**, Van Alstyne, TX (US); **Randy Perez**, McKinney, TX (US)

(Continued)

(73) Assignee: **TRAXXAS, L.P.**, McKinney, TX (US)

OTHER PUBLICATIONS

Chassis_ adapter, center driveshaft cover _ Traxxas, posted date unknown [online], [retrieved Aug. 29, 2024]. Retrieved from internet, <https://traxxas.com/products/parts/10122> (Year: 2024).*

(**) Term: **15 Years**

(Continued)

(21) Appl. No.: **29/833,022**

Primary Examiner — Darlington Ly

(22) Filed: **Mar. 31, 2022**

Assistant Examiner — Jeremy Koenig

(51) **LOC (14) Cl.** **21-01**

(74) *Attorney, Agent, or Firm* — Daryl R. Wright; Greg Carr

(52) **U.S. Cl.**

USPC **D21/562**

(58) **Field of Classification Search**

(57) **CLAIM**

USPC D12/159, 160, 161, 162, 165, 169;
D15/10, 33; D21/548, 549, 561, 562

The ornamental design for a model vehicle chassis as shown and described.

CPC B60G 2200/10; B60G 2200/20; B60G 2200/21; B60G 2200/146; B60G 2200/156; B60G 2200/341; B60G 2204/1242; B60G 2300/026; F16H 1/46; F16H 2057/02052

DESCRIPTION

See application file for complete search history.

FIG. 1 is an upper, left, front perspective view of a model vehicle chassis showing our new design; FIG. 2 is a front elevation view thereof; FIG. 3 is a rear elevation view thereof; FIG. 4 is a right side elevation view thereof; FIG. 5 is a left side elevation view thereof; FIG. 6 is an upper plan view thereof; FIG. 7 is a lower plan view thereof; FIG. 8 is a lower, right, rear perspective view thereof; and, FIG. 9 is a lower, left, front perspective view of the model vehicle chassis.

(56) **References Cited**

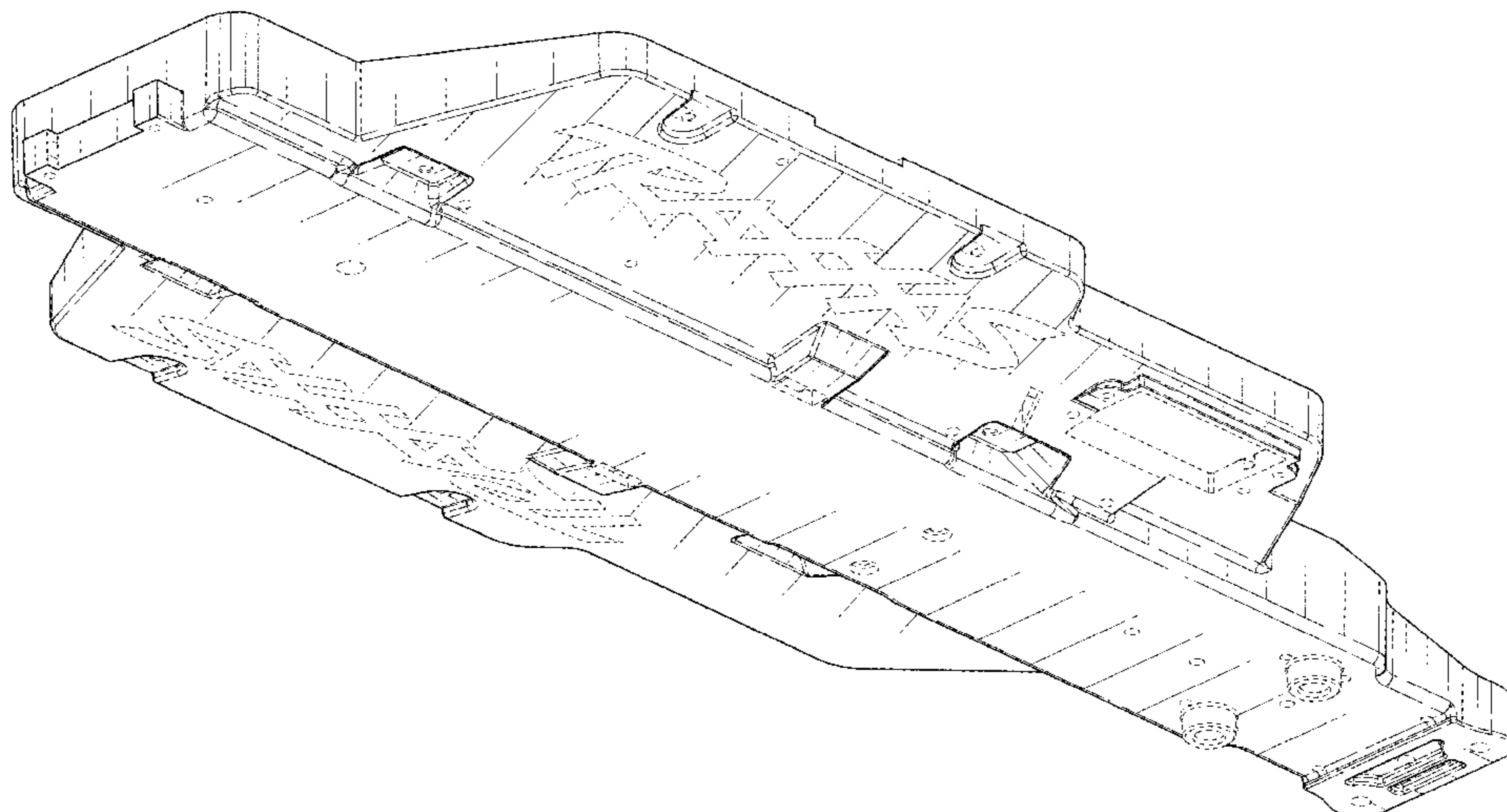
U.S. PATENT DOCUMENTS

D219,362 S 12/1970 Snyder
3,829,117 A 8/1974 Park
D250,465 S 12/1978 Morrison
D300,913 S 5/1989 Kamaya
D309,930 S 8/1990 Asaeda
D317,336 S 6/1991 Tsuchiya
5,131,701 A 7/1992 Stepniewski
D332,978 S 2/1993 Tsuchiya
D332,979 S 2/1993 Tsuchiya
D348,911 S 7/1994 Herrick et al.
5,338,247 A 8/1994 Miles

In the drawings, the broken lines illustrate portions of the model vehicle chassis that form no part of the claimed design.

(Continued)

1 Claim, 6 Drawing Sheets



(56)

References Cited

U.S. PATENT DOCUMENTS

D365,572 S * 12/1995 Cerny D15/17
 D375,037 S 10/1996 Toenders
 D403,023 S 12/1998 Araki
 D411,263 S 6/1999 Korsholm
 D412,478 S 8/1999 Chen
 D475,001 S 5/2003 Roll
 D477,268 S 7/2003 Baynes
 D493,848 S 8/2004 Dunst
 6,793,227 B1 9/2004 Weisgerber et al.
 D503,658 S 4/2005 Lu
 D513,223 S 12/2005 Saito et al.
 D521,572 S 5/2006 Yuen
 D521,899 S 5/2006 Walden
 D523,775 S 6/2006 Walden
 D523,776 S 6/2006 Walden
 D524,880 S 7/2006 Yuen
 D534,593 S 1/2007 Yuen
 D538,861 S 3/2007 Takahashi
 D545,246 S 6/2007 Kroeker
 D545,721 S 7/2007 Hacker et al.
 D549,787 S 8/2007 Chen
 D550,311 S 9/2007 Chen
 7,281,600 B2 10/2007 Chernoff et al.
 D556,648 S 12/2007 Nelson et al.
 D564,410 S 3/2008 Lepage
 D567,886 S 4/2008 Lampert et al.
 D570,735 S 6/2008 Ogihara
 D577,083 S 9/2008 Nakayama
 D586,695 S 2/2009 Burns
 D586,696 S 2/2009 Burns
 D593,616 S 6/2009 Asai
 D597,151 S 7/2009 Ishikawa
 D639,207 S 6/2011 Danisi
 D642,090 S 7/2011 Karacabey et al.
 D642,091 S 7/2011 Karacabey et al.
 D642,960 S 8/2011 Berrier
 D647,002 S 10/2011 Mullen
 D648,250 S 11/2011 Nosworthy
 D651,133 S 12/2011 Liebl
 D651,947 S 1/2012 Hsu
 D655,236 S 3/2012 Sanschagrín
 D655,668 S 3/2012 Levorato et al.
 D681,542 S 5/2013 Oliver
 D690,372 S 9/2013 Fujiwara
 D691,523 S 10/2013 Waugh et al.
 D722,542 S 2/2015 Ikeda
 D727,802 S 4/2015 Sung et al.
 D758,281 S 6/2016 Galloway
 D761,713 S 7/2016 Hensley
 D766,157 S 9/2016 Reynolds et al.
 D778,784 S 2/2017 Hirooka
 D780,643 S 3/2017 Hare
 D781,207 S 3/2017 Johnson
 D783,502 S 4/2017 Hensley
 D783,503 S 4/2017 Hensley
 D783,726 S 4/2017 Williams et al.
 D795,781 S * 8/2017 Itou D12/223
 D802,685 S 11/2017 Barajas et al.
 D810,148 S 2/2018 Loew et al.
 D816,009 S 4/2018 Reynolds et al.
 D818,415 S 5/2018 Haws
 D820,072 S 6/2018 Choi
 D820,736 S 6/2018 Vaarsi
 D822,126 S 7/2018 Allmendinger et al.
 D826,831 S 8/2018 Eck et al.
 D828,274 S * 9/2018 Itou D12/223
 D829,831 S 10/2018 Redlin et al.
 D836,501 S 12/2018 Mori
 D844,070 S 3/2019 Christensen et al.
 D851,183 S 6/2019 Wood et al.
 D863,171 S 10/2019 Harriton et al.
 D866,618 S * 11/2019 Wilhelmi D15/33
 D867,475 S 11/2019 Ewing et al.
 D875,848 S 2/2020 Wood et al.
 D899,918 S * 10/2020 Sprowl D8/399

D902,088 S * 11/2020 Nakamura D12/159
 11,058,275 B2 7/2021 Hopkins et al.
 D930,760 S 9/2021 Ewing et al.
 D935,532 S 11/2021 Ewing
 D940,254 S 1/2022 Lin
 D952,051 S 5/2022 Xu
 D952,052 S 5/2022 Xu
 D956,886 S 7/2022 Xing et al.
 D963,053 S * 9/2022 Ho D21/562
 D964,482 S 9/2022 Ewing et al.
 D966,952 S * 10/2022 Boaz D12/159
 D967,288 S 10/2022 Li
 D975,204 S 1/2023 Xu
 D992,049 S * 7/2023 Yang D21/562
 D998,721 S * 9/2023 Ewing D21/562
 D1,004,714 S * 11/2023 Ewing D21/562
 D1,005,403 S * 11/2023 Christensen D21/562
 D1,016,180 S * 2/2024 Allmendinger D12/171
 D1,040,252 S * 8/2024 Ewing D21/561
 12,065,009 B2 * 8/2024 Connell F16C 17/105
 2013/0117960 A1 5/2013 Lee
 2014/0227941 A1 8/2014 Suzuki
 2017/0080350 A1 3/2017 Allmendinger et al.
 2018/0070789 A1 3/2018 LaBarbera et al.
 2021/0046395 A1 2/2021 Allmendinger et al.
 2021/0283517 A1 9/2021 Rydwell
 2023/0219010 A1 7/2023 Christensen et al.
 2024/0115965 A1 4/2024 Christensen et al.
 2024/0207749 A1 6/2024 Christensen et al.

FOREIGN PATENT DOCUMENTS

EM 015009705-0003 2/2023
 EM 015009705-0009 2/2023

OTHER PUBLICATIONS

Lower Chassis for Traxxas _ TRA3722 _ BMI Karts And Parts, posted date unknown [online], [retrieved Aug. 29, 2024]. Retrieved from internet, https://www.bmikarts.com/Lower-Chassis-for-Traxxas_p_31398.html (Year: 2024).*

1/8 Kraton 6S V5 4x4 BLX Speed Monster Truck With Spektrum Firma RTR, Red, as shown in www.arrma-rc.com, Jan. 13, 2021, Part # ARA8608V5T1. (Year: 2021).

Axial SCX10 II 2000 Jeep Cherokee 1/10th Scale Electric 4WD—RTR; <http://www.axialracing.com/products/ax90047>; Aug. 2016.

Axial SCX10 Deadbolt 1/10th Scale Electric 4WD—RTR; <http://www.axialracing.com/products/ax90044>; Aug. 2016.

Tibus Off-Road Engineering; Land Rover Defender; <http://www.tibus-offroad.com/en/products/bolt-on-portals/land-rover/>; Aug. 2016.

HPI Racing; HPI Venture FJ Cruiser; <http://www.hpiracing.com/en/article/view/2016012702>; Aug. 2016.

Traxxas; Slash 4x4 Overview; Oct. 2009.

Tamiya 58647 1:10 RC M-07 Con. WB225/239 Remote Control Car Vehicle Model, Sep. 15, 2017, Amazon.co.uk, Sep. 22, 2021, URL: <https://www.amazon.co.uk/Tamiya-M-07-Concept-Chassis-58647/dp/B06ZY297CC> (Year: 2017).

Tamiya 57986" 1:10 RC TT-02 Chassis First Try On-Road Vehicle, Aug. 19, 2016, Amazon.co.uk, Sep. 22, 2021, URL: <https://www.amazon.co.uk/Tamiya-57986-10-RC-Chassis-First/dp/B01JLF7GB0> (Year: 2016).

Newrice Remote Control Car Building Blocks Kit, 1:12 Scale MOC Off-Road Vehicle, May 25, 2021, Amazon.co.uk, Sep. 22, 2021, URL: <https://www.amazon.co.uk/NEWRICE-Remote-Control-Building-Blocks/dp/B0912YKHM4> (Year: 2021).

New Heavy-Duty Chassis Brace, available on traxxas.com, published Aug. 26, 2020, [site visited Jan. 24, 2022], URL: <https://traxxas.com/news/new-chassis-brace> (Year: 2020).

Traxxas Heavy-Duty Chassis Brace, available on rccaraction.com, updated Aug. 27, 2020, [site visited Jan. 24, 2022], URL: <https://www.rccaraction.com/traxxas-heavy-duty-chassis-brace-for-the-slash-4x4-rustler-4x4> (Year: 2020).

(56)

References Cited

OTHER PUBLICATIONS

HD Chassis Brace, available on web.archive.org, captured Sep. 27, 2020, [site visited Jan. 24, 2022], URL: <https://web.archive.org/web/20200927005210/https://traxxas.com/products/parts/6730X?t=overview> (Year: 2020).

RC Update—Traxxas Heavy-Duty Chassis Brace, available on Youtube.com, date posted Sep. 15, 2020, [site visited Jan. 24, 2022], URL: <https://www.youtube.com/watch?v=jDGkrXluKyY> (Year: 2020).

Traxxas Rustler/Slash 4x4 LCG Chassis, available on hobbytown.com, product added to catalog Feb. 17, 2021, [site visited Jan. 24, 2022], URL: <https://www.hobbytown.com/traxxas-rustler-slash-4x4-lcg-chassis-brace-kit-green-tra6730g/p1254464> (Year: 2021).

Traxxas 6730G—Chassis Brace Kit, available on amazon.com, oldest customer review Apr. 12, 2021, [site visited Jan. 24, 2022], URL: <https://www.amazon.com/Traxxas-6730G-Chassis-Brace-Aluminum/dp/B08P6V5M9B/> (Year: 2021).

Aluminum Center Brace Bar & Mount, available on amazon.com, [site visited Jan. 24, 2022], URL: <https://www.amazon.com/Aluminum-Center-Brace-Traxxas-90076-4/dp/B08P4TJ73J> (Year: 2022).

Cusco Front Power Brace, available on tf-works.com, [site visited Jan. 24, 2022], URL: <https://www.tf-works.com/cusco-front-power-brace-for-2013-scion-frs-subaru-brz/> (Year: 2022).

Traxxas Slash 4x4 (LCG) Chassis Brace, available on ebay.com, last updated Mar. 3, 2021, [site visited Jan. 24, 2022], URL: <https://www.ebay.com/itm/392047539576> (Year: 2021).

Cusco Body Reinforcement Parts for Toyota GR Yaris, available on easycars.jp, [site visited Jan. 24, 2022], URL: <https://easycars.jp/product/cusco-bodye-for-toyota-gr-yaris/> (Year: 2022).

TBR Aluminum T2T Tower to Tower, available on tboneracing.net, oldest customer review Oct. 2, 2019, [site visited Jan. 24, 2022], URL: <https://tboneracing.net/products/10109-tbr-aluminum-t2t-tower-to-tower-brace-arrma-kraton-talion-6s-blx> (Year: 2019).

Chassis Brace Kit Blue, available on amazon.com, oldest customer review Dec. 5, 2020, [site visited Jan. 24, 2022], URL: <https://www.amazon.com/Traxxas-Chassis-Brace-KIT-Blue/dp/B08LCM122P/> (Year: 2020).

Wendland, Louis C., U.S. Pat. No. D. 58,959 S, Patented Sep. 6, 1921.

Trego, Frank H., U.S. Pat. No. D. 42,406 S, Patented Apr. 9, 1912.

Christensen, Casey Christen Jens, et al.; U.S. Pat. No. D. 1,005,403; Model Vehicle Platform Base; Nov. 21, 2023.

Jegs Main Chassis (Buggy/Stadium Truck), as shown in www.jegs.com, no date listed, date found, Jun. 11, 2024, Part # 555-44866. (Year: 2024).

Tamiya TT-02 Lower Deck Chassis, as shown in www.hobbytown.com, Apr. 22, 2021, Part # TAM51532. (Year: 2021).

Team Associated Chassis 71024, no date listed, date found Jun. 11, 2024, ASIN B07B6HMRGM. (Year: 2024).

Team Associated Reflex 14R Chassis, as shown in www.hobbytown.com, Dec. 6, 2022, Part #ASC21570. (Year: 2022).

Traxxas XRT 8S Extreme 4WD Brushless RTR Race Monster Truck (Green) w/TQi 2.4GHz Radio & TSM, as shown in www.hobbytown.com, earliest customer review Nov. 18, 2022. Part# TRA78086-4-GRN. (Year: 2022).

The Traxxas XRT 8S Extreme R/C Truck, as shown in www.youtube.com, Nov. 16, 2022. (Year: 2022).

Unboxing New Traxxas XRT and Immediately Bashing it, the RC Lab, as shown in www.youtube.com, Oct. 29, 2022. (Year: 2022).

Arrma RC Truck 1/10 Vorteks 4x4 3S BLX Stadium Truck RTR (Batteries and Charger Not Included), Red, ARA4305V3T1, as shown in www.amazon.com, Apr. 29, 2021, ASIN B092MNGMWM. (Year: 2021).

1/10 Kraton 4x4 4S V2 BLX Speed Monster Truck RTR, as shown in www.sheldonsobbies.com, Nov. 30, 2023. (Year: 2023).

Christensen, Casey Christen Jens, et al.; U.S. Pat. No. D. 1,010,021; Model Vehicle Assembly; Jan. 2, 2024.

Christensen, Casey Christen Jens, et al.; U.S. Pat. No. D. 1,020,915; Model Vehicle Platform Assembly; Apr. 2, 2024.

New Epic RC Car! Traxxas XRT! Not an X-Maxx, RCDriver_Online, as shown in www.youtube.com, Oct. 26, 2022. (Year: 2022).

Traxxas Sledge Aluminum Chassis (Blue), as shown in www.hobbytown.com, Jun. 30, 2022 (Year: 2022).

Traxxas Sledge 6S Green Brushless 1:8 Auto RC Truggy 4WD (4WD) Ready to Run (RTR) 2.4GHz, as shown in www.amazon.com, Aug. 18, 2022, ASIN B0B59PV1C9 (Year: 2022).

* cited by examiner

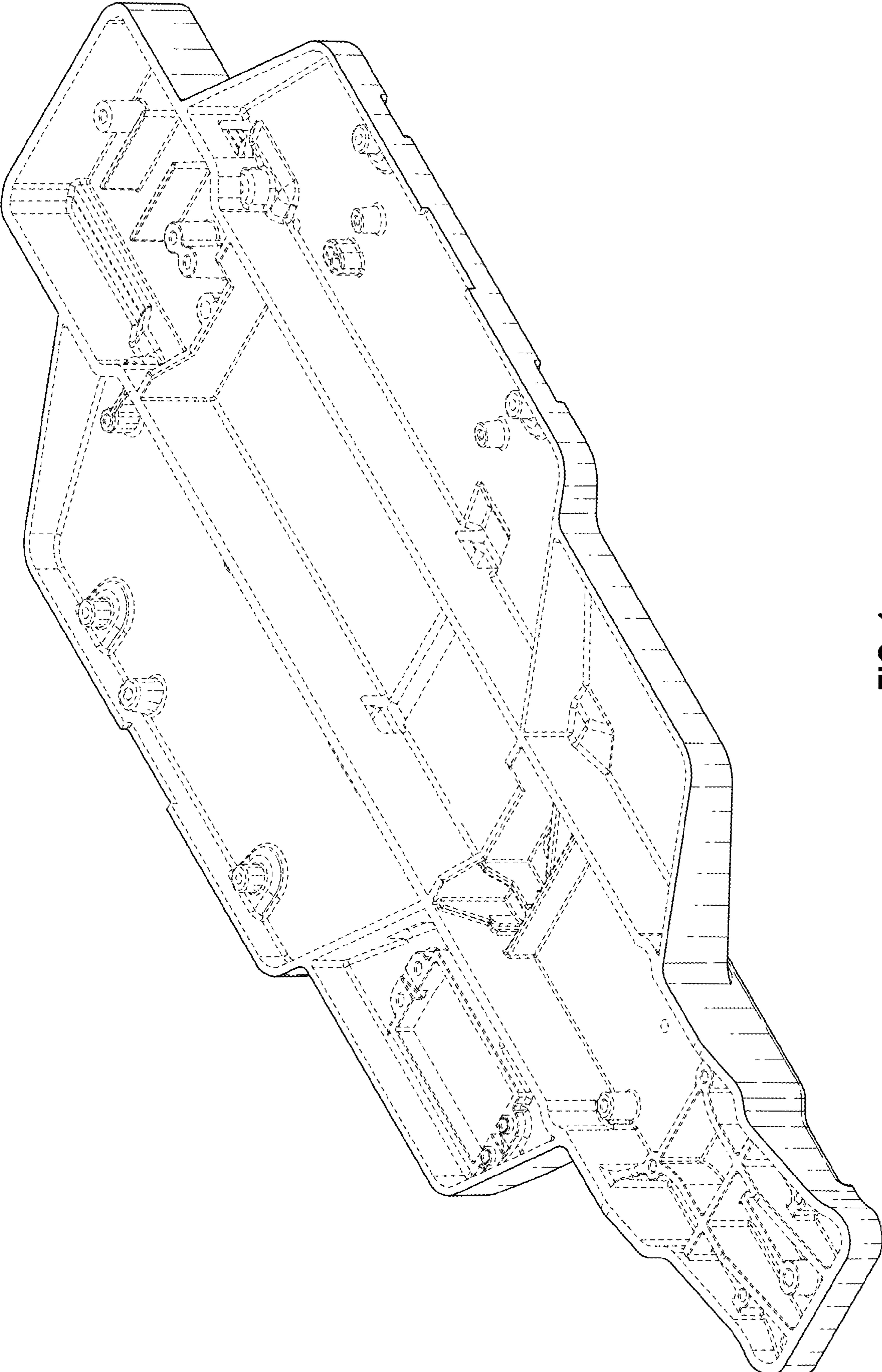


FIG. 1

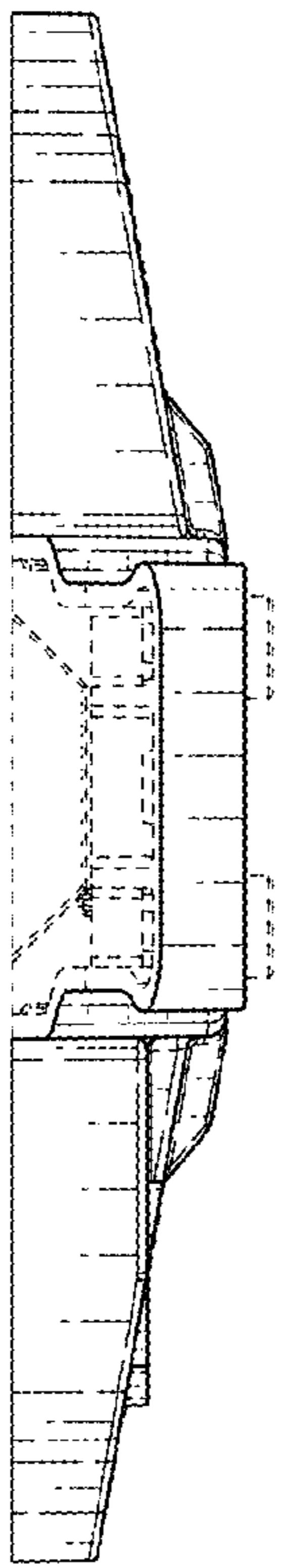


FIG. 2

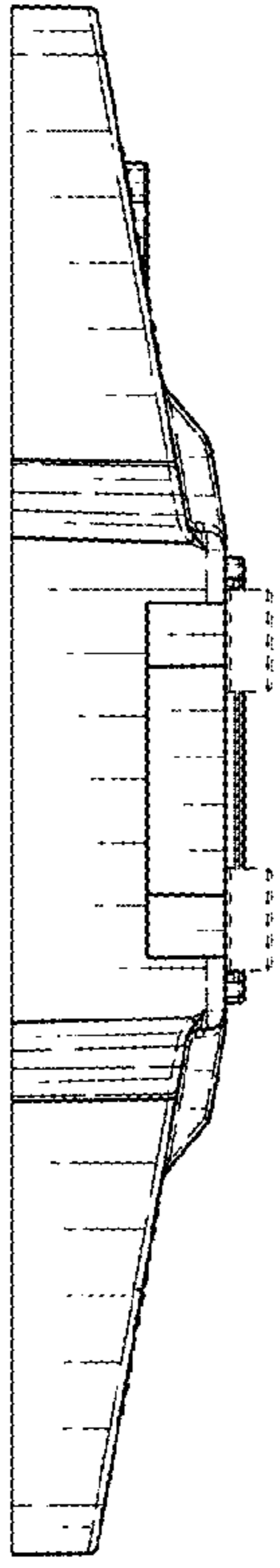


FIG. 3

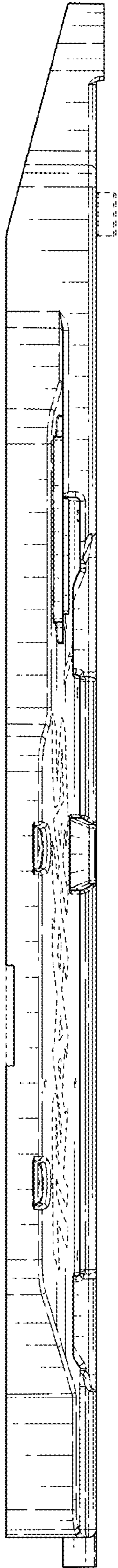


FIG. 4

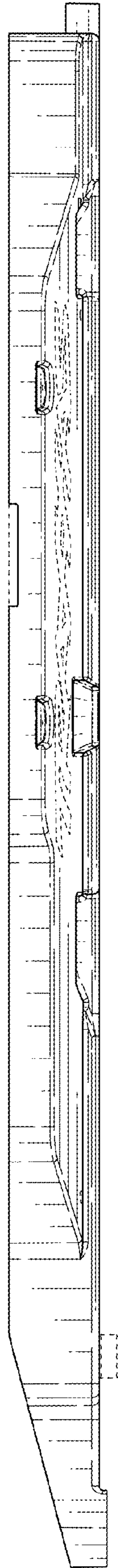


FIG. 5

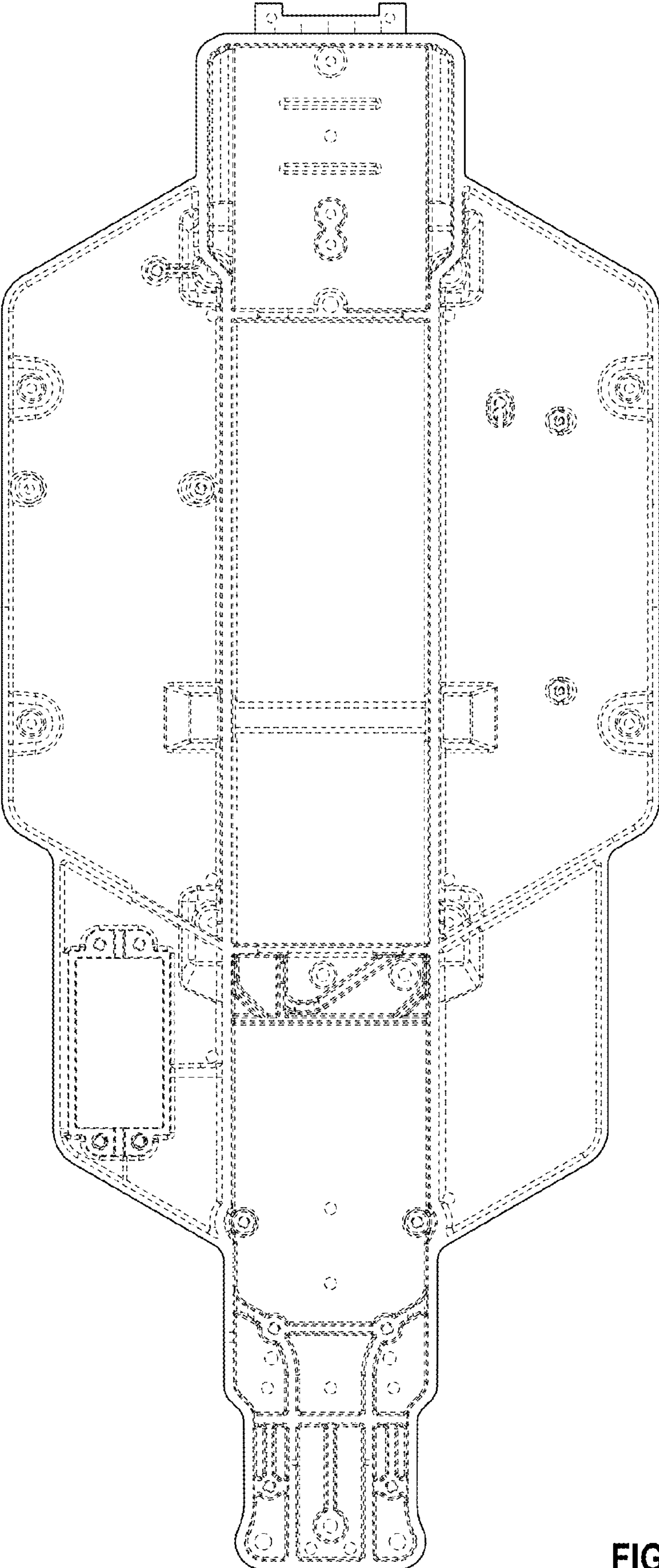


FIG. 6

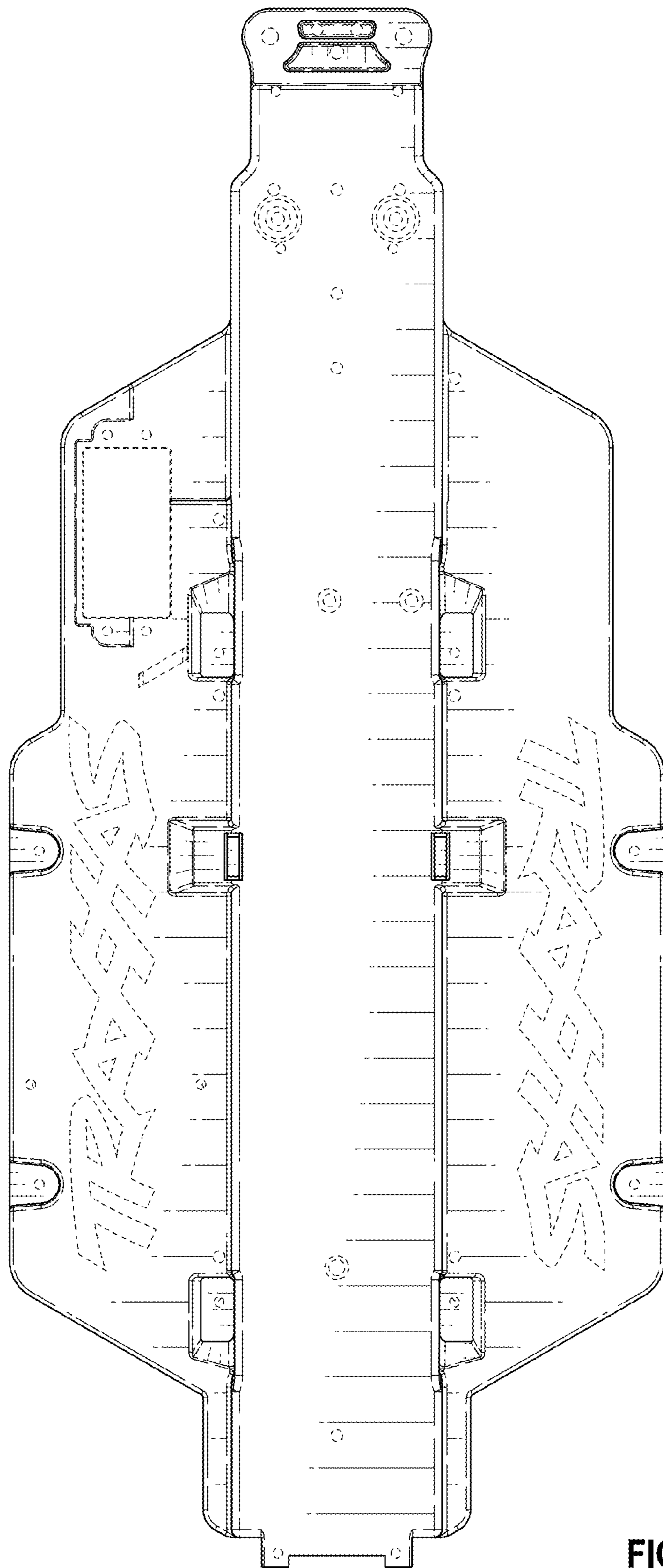


FIG. 7

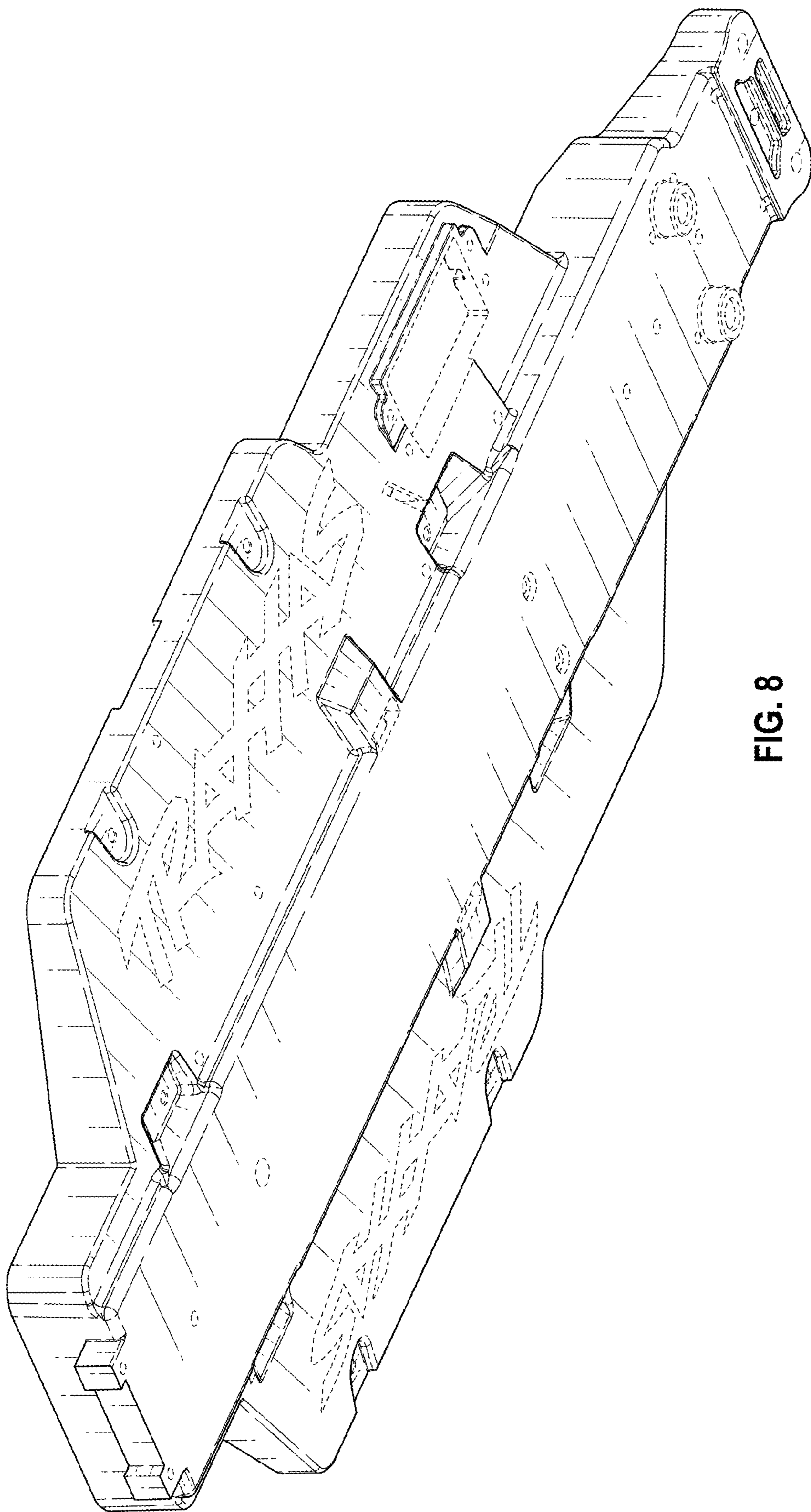


FIG. 8

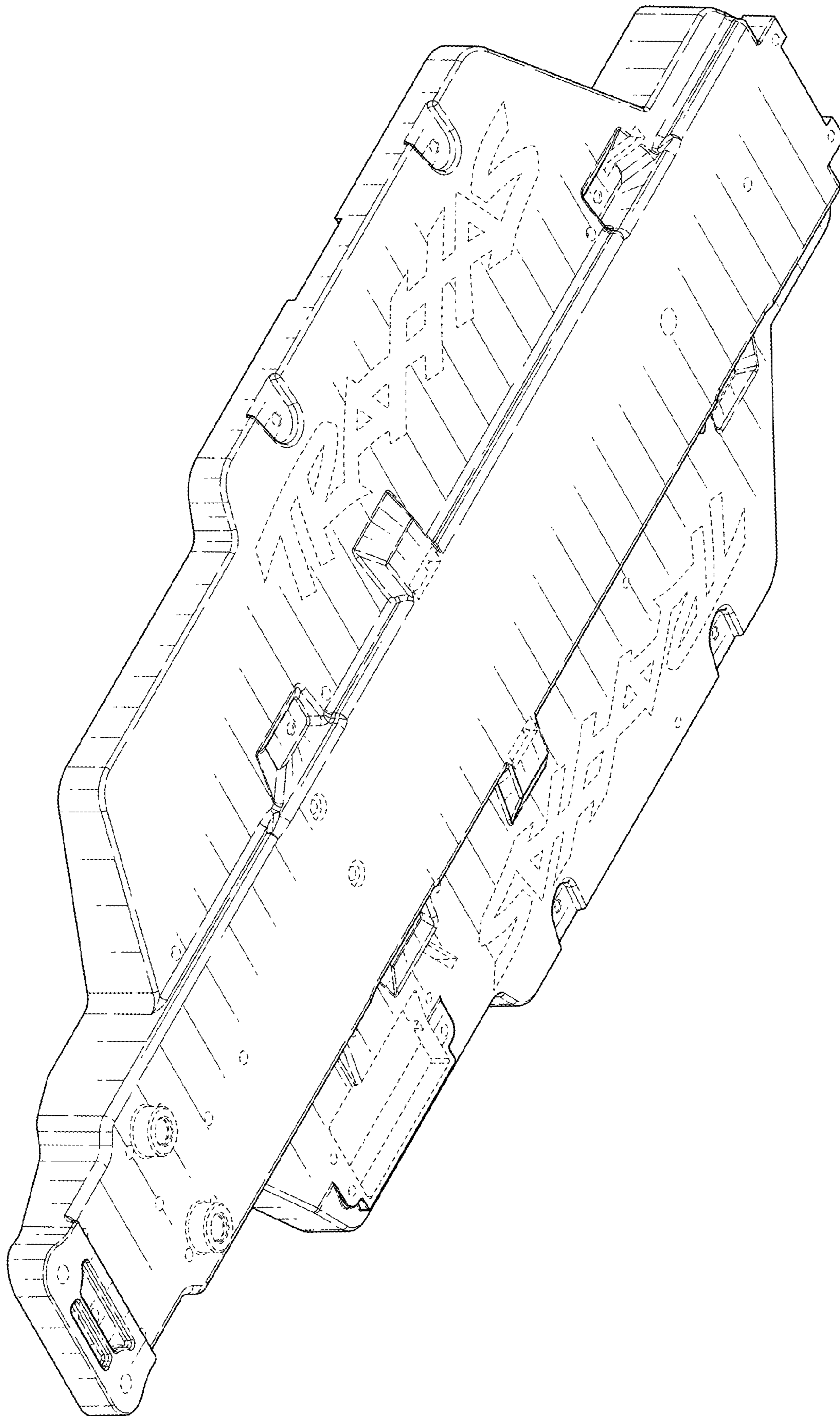


FIG. 9