



US0D1047778S

(12) **United States Design Patent** (10) **Patent No.:** **US D1,047,778 S**
Arif (45) **Date of Patent:** **** Oct. 22, 2024**

(54) **SISSY BAR**
(71) Applicant: **Crorama Inc.**, Brea, CA (US)
(72) Inventor: **Ammar Arif**, Upland, CA (US)
(73) Assignee: **Crorama Inc.**, Brea, CA (US)
(**) Term: **15 Years**
(21) Appl. No.: **29/871,167**
(22) Filed: **Feb. 14, 2023**
(51) **LOC (14) Cl.** **12-11**
(52) **U.S. Cl.**
USPC **D12/119**
(58) **Field of Classification Search**
USPC D12/110, 111, 117, 119, 128, 158;
D21/419, 424
CPC B62J 1/28; B62J 7/04; A47C 7/40
See application file for complete search history.

D245,078 S * 7/1977 Greene D12/119
4,111,448 A * 9/1978 Sklodowsky B62J 1/28
297/215.11
4,313,639 A * 2/1982 Ware B62J 1/28
297/215.12

(Continued)

FOREIGN PATENT DOCUMENTS

CN 2790879 Y * 3/2005 B62J 1/28
CN 201231811 Y * 5/2008 B62J 1/28

(Continued)

OTHER PUBLICATIONS

“Cobra Round Detachable Backrest For Harley Softail FLFB / FXBR 2018-2024.” Cycle Gear., Apr. 18, 2018 [online], [retrieved on Apr. 11, 2024]. Retrieved from the Internet <URL: <https://www.cyclegear.com/parts/cobra-round-detachable-backrest-for-harley-softail-flfb-fxbr-2018-2021>>.*

(Continued)

Primary Examiner — Darlington Ly

(57) **CLAIM**

The ornamental design for a sissy bar, as shown and described.

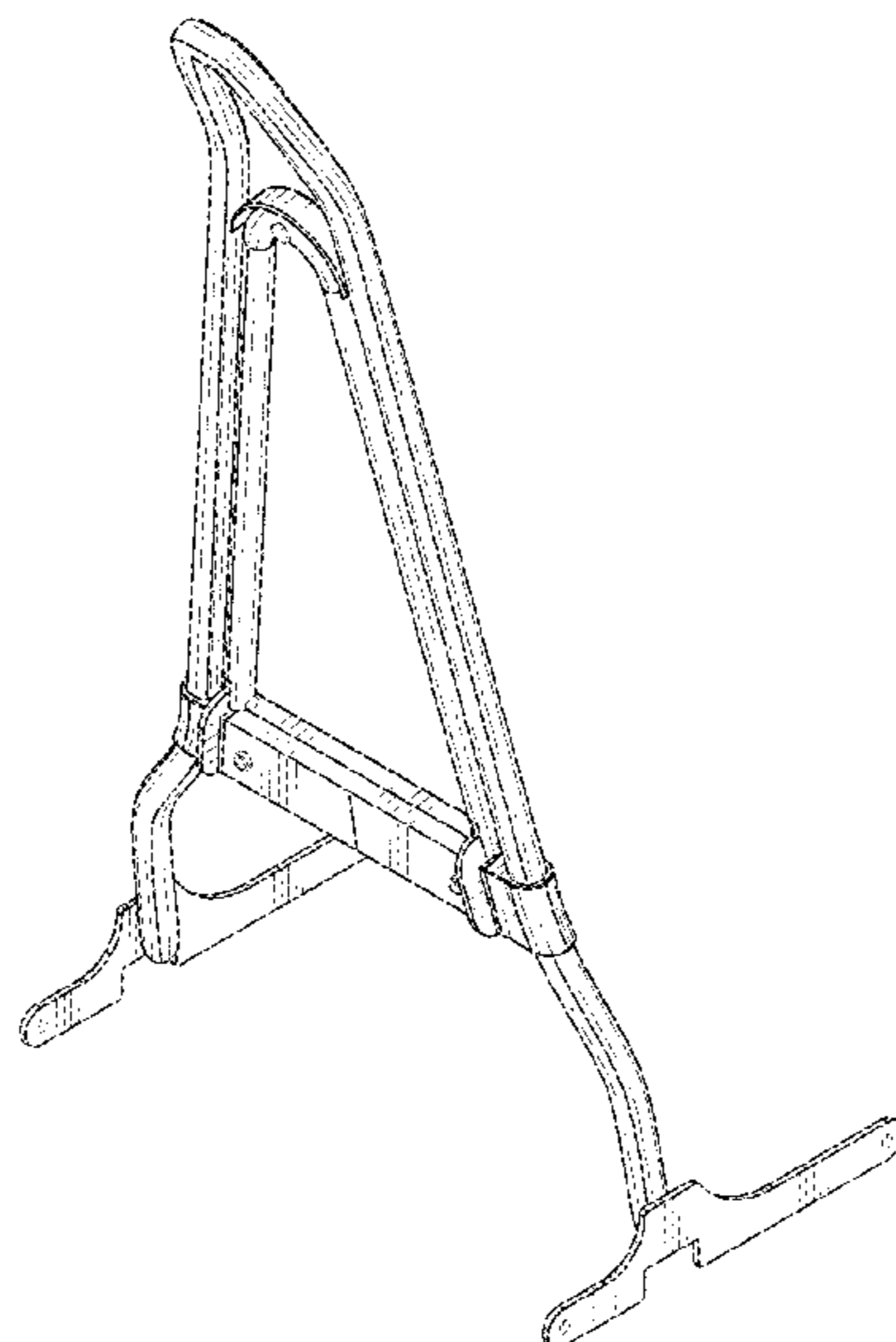
DESCRIPTION

FIG. 1 is a front-top perspective view of a sissy bar showing my new design;
FIG. 2 is a front-bottom perspective view thereof;
FIG. 3 is a rear-top perspective view thereof;
FIG. 4 is a front elevational view thereof;
FIG. 5 is a rear elevational view thereof;
FIG. 6 is a left elevational view thereof;
FIG. 7 is a top plan view thereof; and,
FIG. 8 is a bottom plan view thereof.
The broken lines in the drawings illustrate portions of the sissy bar which form no part of the claimed design.

1 Claim, 8 Drawing Sheets

(56) **References Cited**
U.S. PATENT DOCUMENTS

1,380,935 A * 6/1921 Speer B62J 1/28
297/215.12
D211,922 S * 8/1968 Persons D12/119
D212,578 S * 10/1968 Brilando et al. D12/119
D214,657 S * 7/1969 Kamin et al. D12/119
D215,991 S * 11/1969 Faulhaber D12/119
3,549,172 A * 12/1970 McBroom B62J 1/14
297/215.12
3,850,353 A * 11/1974 Foulds B62J 1/28
224/450
3,853,351 A * 12/1974 Lassiter B62J 1/28
297/452.48
3,879,087 A * 4/1975 Russo B62J 1/28
297/215.11
D242,032 S * 10/1976 Hartlaub D12/119
4,030,750 A * 6/1977 Abram B62J 1/28
297/375
4,032,189 A * 6/1977 Benavente B62J 1/28
297/352



(56)

References Cited

U.S. PATENT DOCUMENTS

D271,866 S * 12/1983 Turkington D12/119
 D271,867 S * 12/1983 Danielson D12/119
 D272,140 S * 1/1984 Turkington D12/119
 4,466,660 A * 8/1984 Mabie B62J 1/28
 297/375
 4,475,770 A * 10/1984 Persons, II B62J 1/28
 297/358
 4,570,998 A * 2/1986 Hughes B62J 1/28
 297/215.12
 D287,348 S * 12/1986 Larson D12/119
 4,673,190 A * 6/1987 Ahlberg B62J 27/30
 280/801.1
 D301,218 S * 5/1989 Brummer D12/119
 D332,540 S * 1/1993 Peterson D12/407
 D371,529 S * 7/1996 Potter D12/114
 D386,131 S * 11/1997 Gogan D12/114
 5,779,303 A * 7/1998 Kuelbs B62J 1/28
 297/215.11
 5,984,331 A * 11/1999 Wright B62J 11/00
 280/288.4
 6,568,699 B2 * 5/2003 McCann B62J 7/00
 224/412
 6,655,740 B1 * 12/2003 Hanagan B62J 1/28
 297/352
 6,983,988 B1 * 1/2006 Lo B62J 1/28
 297/215.11
 D555,047 S * 11/2007 Colbert D12/119
 7,661,761 B1 * 2/2010 Ortega B62J 1/28
 297/352
 D621,327 S * 8/2010 Wright D12/222
 D639,574 S * 6/2011 Nusret D6/354
 8,579,169 B2 * 11/2013 Racz B62J 7/04
 224/430
 D1,020,544 S * 4/2024 Guo D12/114
 2005/0126840 A1 * 6/2005 Lin B62M 6/90
 180/207.3
 2008/0084097 A1 * 4/2008 Botting B62J 1/28
 297/215.12
 2012/0205950 A1 * 8/2012 Smith, II B62J 1/28
 297/215.12
 2014/0346838 A1 * 11/2014 Smith B62J 1/28
 297/452.48
 2016/0311485 A1 * 10/2016 D’Aluisio B62J 1/04

FOREIGN PATENT DOCUMENTS

CN 115476947 A * 11/2022 B62J 1/28
 JP 5215753 B2 * 6/2008 B62J 1/14

OTHER PUBLICATIONS

“Drag Specialties #0822-0449—Sissy Bar Pad—Double Diamond—Black—Tapered.” Direct Cycle Parts., Jul. 15, 2020 [online], [retrieved on Apr. 11, 2024]. Retrieved from the Internet <URL: <https://www.directcycleparts.com/drag-specialties-sissy-bar-pad-double-diamond-black-tapered>>.*
 “Excalibur Detachable Sissybar / Backrest.” Siouxcide Choppers., Aug. 28, 2019 [online], [retrieved on Apr. 11, 2024]. Retrieved from the Internet <URL: <https://www.harris-performance.com/product/harris-front-suspension-forks/>>.*
 “Chrome Sissy Bar, Detachable Passenger Backrest Rear Pad . . . CVO Limited Street Glide Road Glide Electra Glide [22 Inches].” Amazon., Aug. 18, 2022 [online], [retrieved on Apr. 11, 2024]. Retrieved from the Internet <URL: <https://www.amazon.com/Detachable-Passenger-Backrest-Touring-2009-2022/dp/B0BB2DM6JV>>.*
 “YHMOTO Detachable Sissy Bar Passenger Backrest 22" Inch with Docking Hardware Kits Fit . . . Road Glide Electra Glide (Black).” Amazon., Oct. 31, 2022 [online], [retrieved on Apr. 11, 2024]. Retrieved from the Internet <URL: <https://www.amazon.com/Detachable-Passenger-Backrest-Hardware-2009-2022/dp/B0BL15ZXJT?th=1>>.*
 “HDBUBALUS Detachable Rear Passenger Sissy Bar Backrest Fit for Harley Touring Road King Road Glide Street Glide 2009-2022.” Amazon., Jul. 23, 2021 [online], [retrieved on Apr. 11, 2024]. Retrieved from the Internet <URL: <https://www.amazon.com/HDBUBALUS-Detachable-Passenger-Backrest-2009-2021/dp/B09B4XQ1SD?th=1>>.*
 “TCMT Tall Sissy Bar Passenger Backrest Fit For Harley Softail Street Bob FXBB 2018-2023.” Amazon., Mar. 14, 2022 [online], [retrieved on Apr. 11, 2024]. Retrieved from the Internet <URL: <https://www.amazon.com/TCMT-Passenger-Backrest-Harley-2018-2022/dp/B09VH1R46K>>.*

* cited by examiner

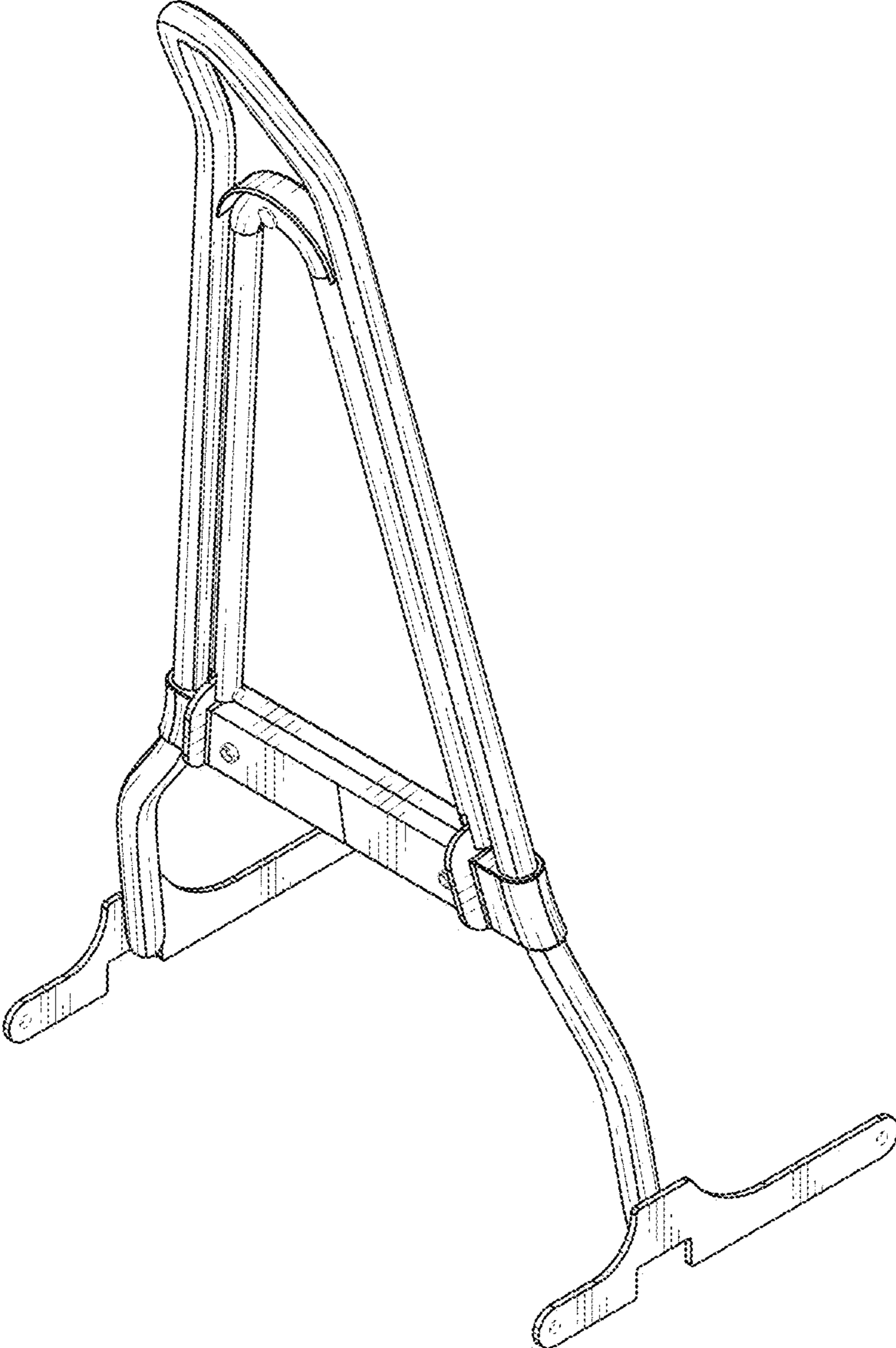


FIG. 1

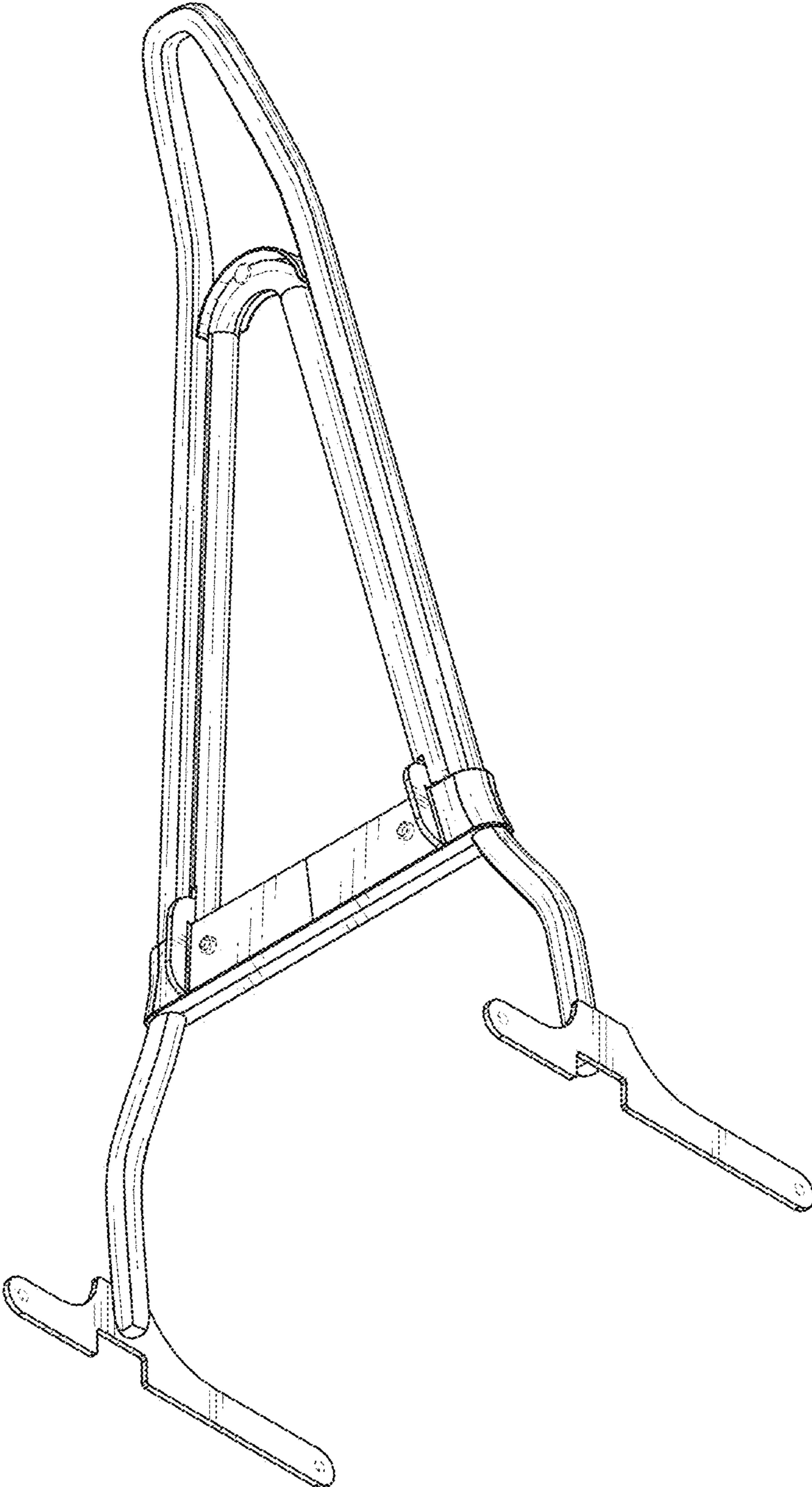


FIG. 2

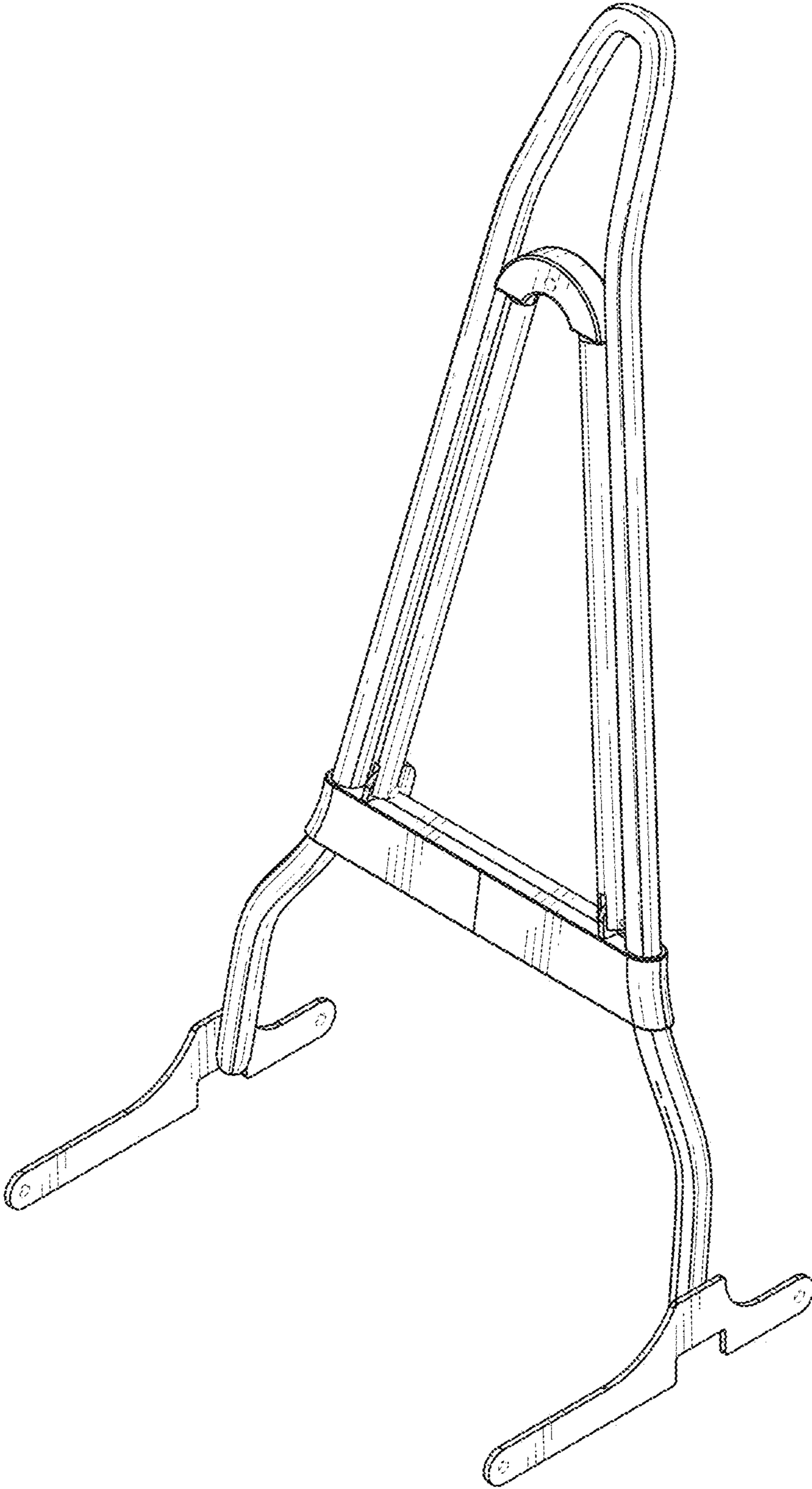


FIG. 3

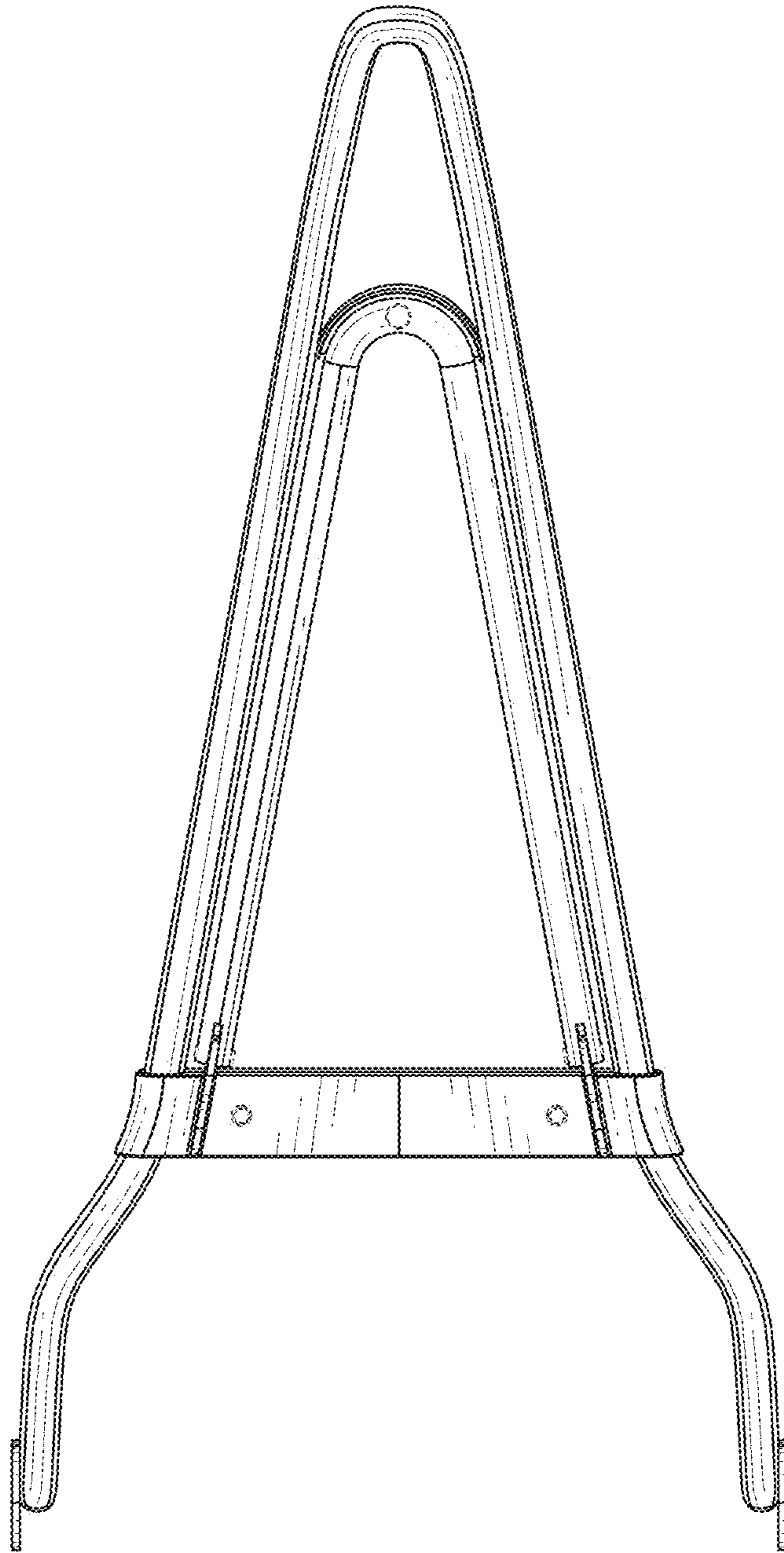


FIG. 4

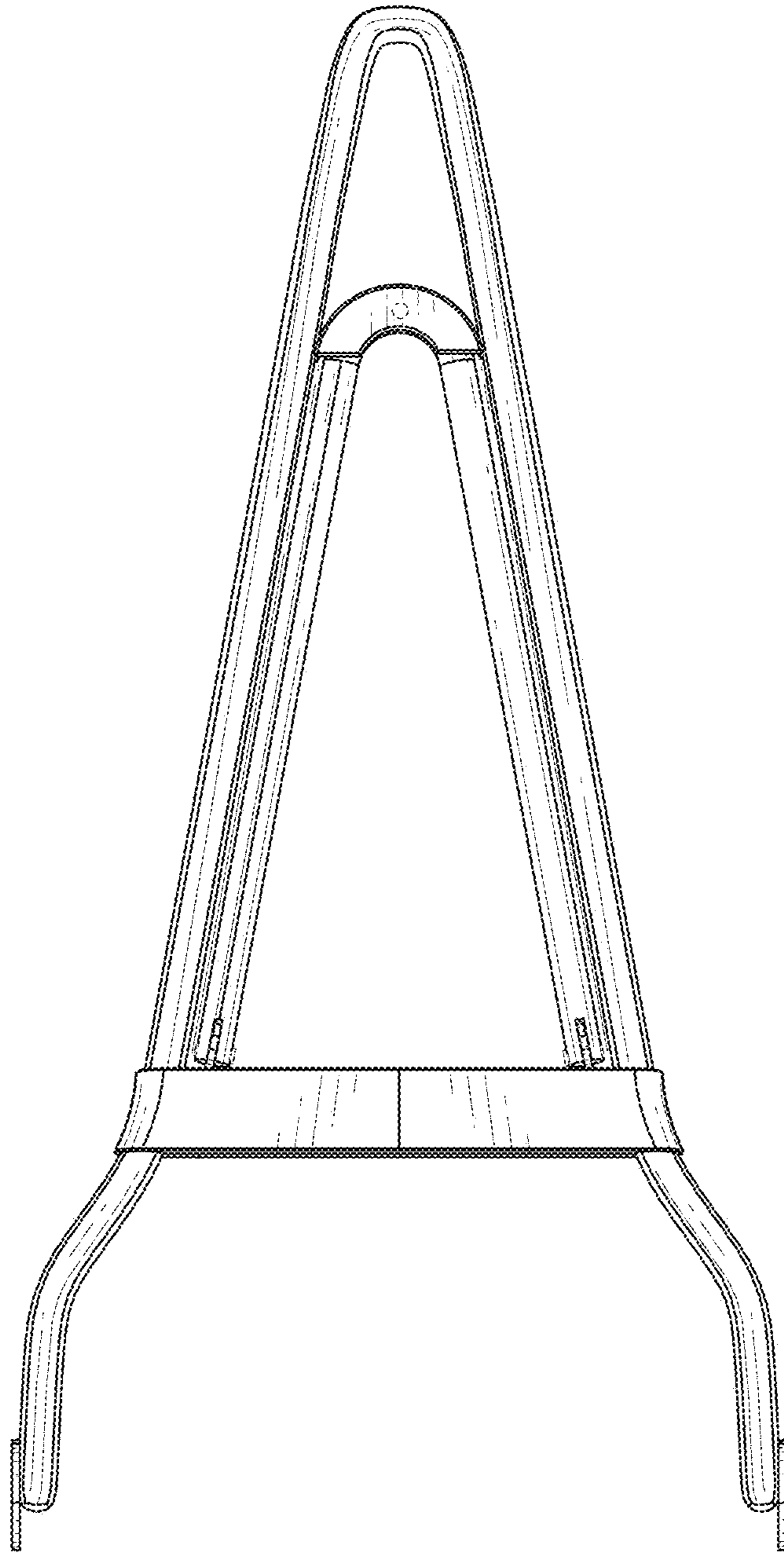


FIG. 5

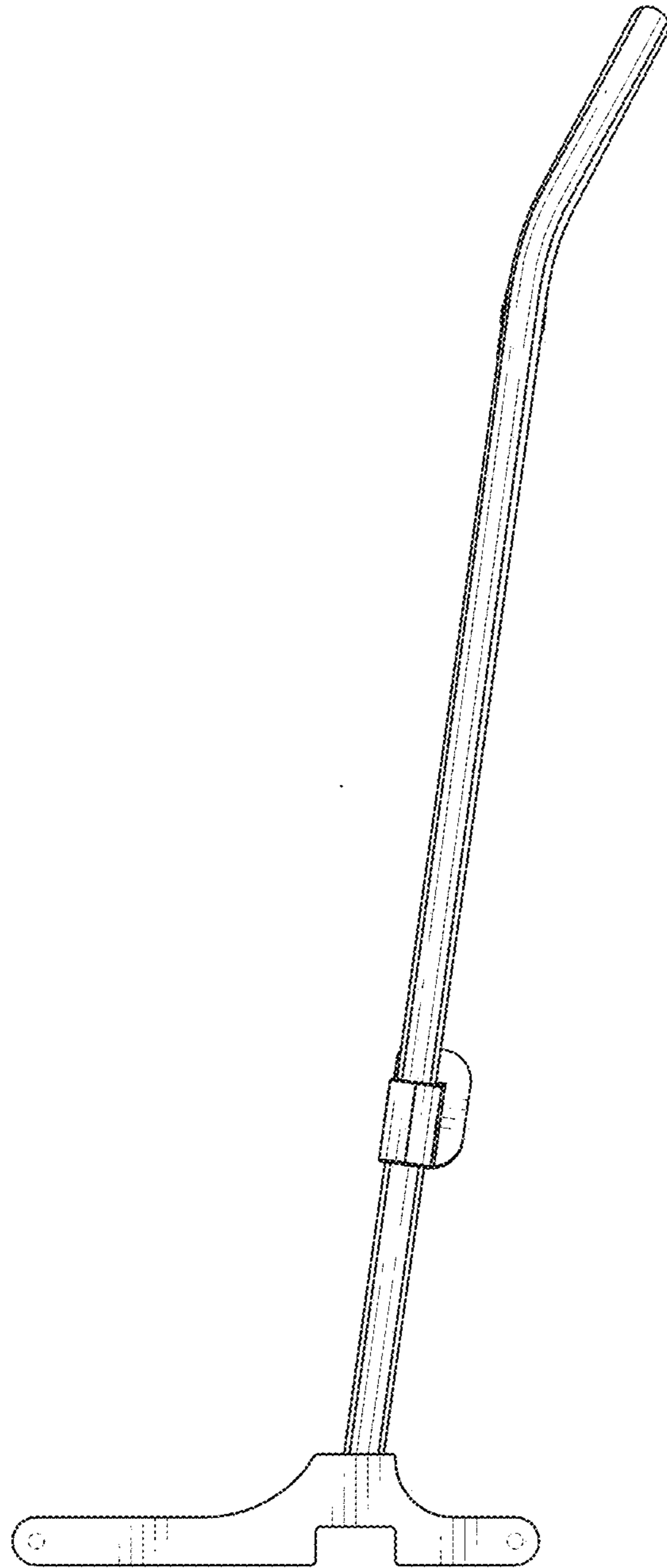


FIG. 6

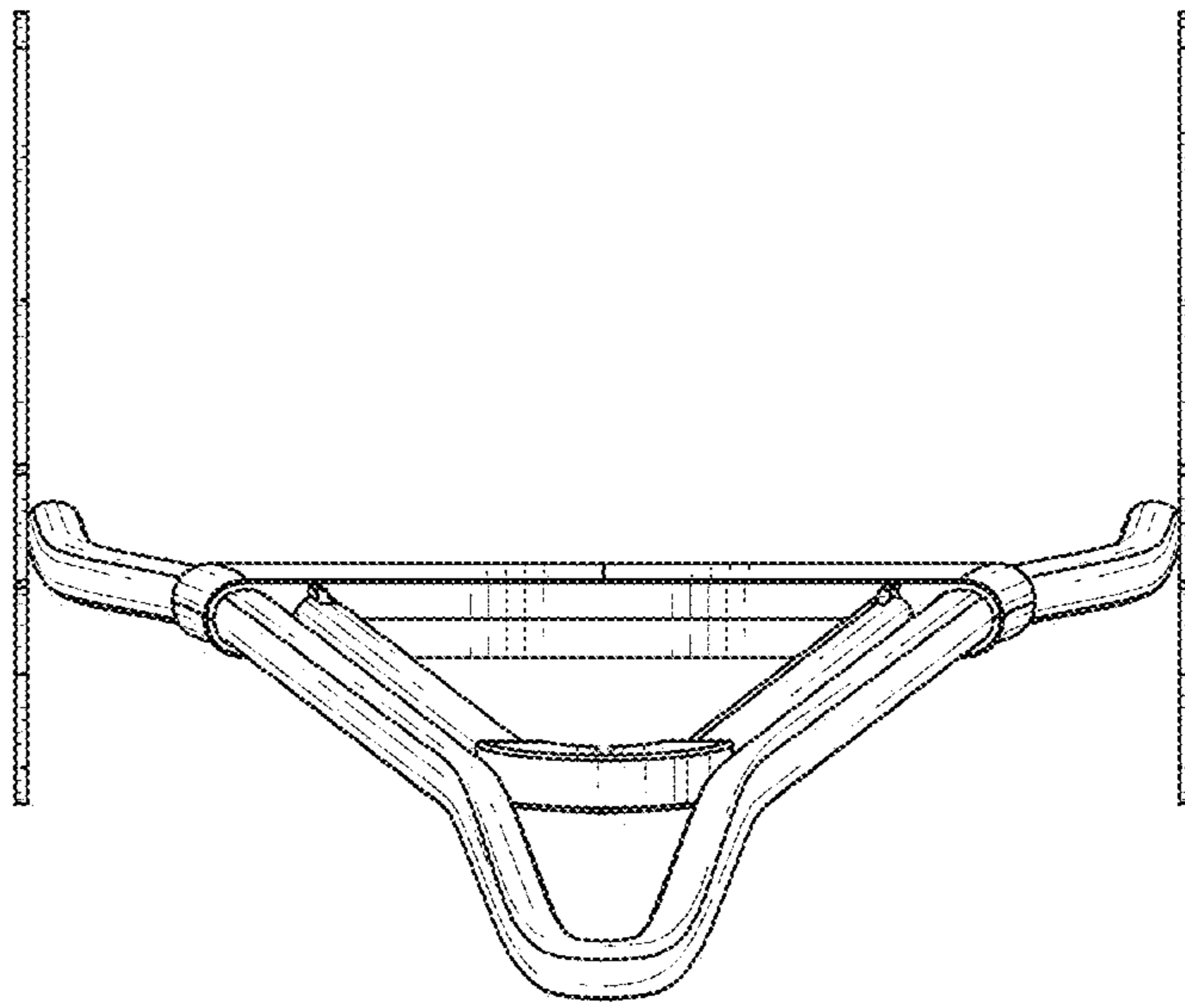


FIG. 7

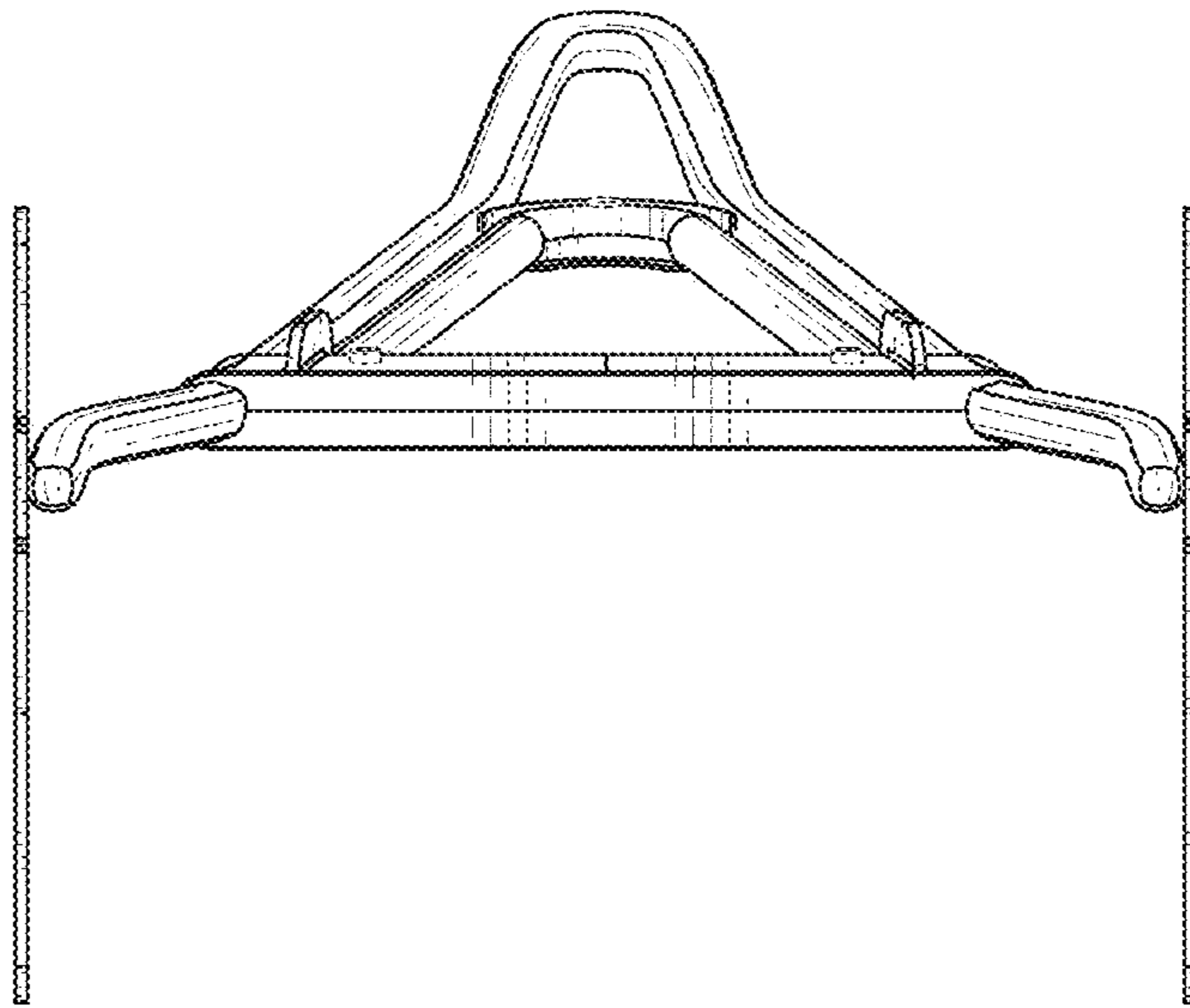


FIG. 8