



US0D1047733S

(12) **United States Design Patent** (10) **Patent No.:** **US D1,047,733 S**  
**Watanabe** (45) **Date of Patent:** **\*\* Oct. 22, 2024**

(54) **WATCH CASE**

(71) Applicant: **CASIO KEISANKI KABUSHIKI KAISHA**, Tokyo (JP)

(72) Inventor: **Hideki Watanabe**, Kanagawa (JP)

(73) Assignee: **CASIO KEISANKI KABUSHIKI KAISHA**, Tokyo (JP)

(\*\*) Term: **15 Years**

(21) Appl. No.: **29/852,555**

(22) Filed: **Sep. 8, 2022**

(30) **Foreign Application Priority Data**

Apr. 22, 2022 (JP) ..... 2022-008809 D

(51) **LOC (14) Cl.** ..... **10-02**

(52) **U.S. Cl.**  
USPC ..... **D10/38; D10/128**

(58) **Field of Classification Search**  
USPC ..... D10/30, 31, 38, 132, 128; D14/344  
CPC ..... A44C 5/0015; G04B 37/005;  
G04B 37/0041; G04B 37/0058; G04B  
37/087; G04B 37/084; G04G 21/08;  
G04G 17/08

See application file for complete search history.

(56) **References Cited**

**U.S. PATENT DOCUMENTS**

D348,013 S *	6/1994	Nomura	.....	D10/38
D412,854 S *	8/1999	Oshita	.....	D10/38
D416,812 S *	11/1999	Houlihan	.....	D10/38
D417,401 S *	12/1999	Houlihan	.....	D10/38
D417,402 S *	12/1999	Fujihara	.....	D10/30
D452,008 S *	12/2001	Komulainen	.....	D10/31
D455,659 S *	4/2002	Goto	.....	D10/31
D464,890 S *	10/2002	Streltsov	.....	D10/30

D464,891 S *	10/2002	Ramos, Jr.	.....	D10/30
D486,074 S *	2/2004	Kubo	.....	D10/30
D512,922 S *	12/2005	Yan	.....	D10/38
D685,666 S *	7/2013	Nakai	.....	D10/128
2020/0110370 A1 *	4/2020	Yasuda	.....	G04G 17/08
2024/0103452 A1 *	3/2024	Kurokawa	.....	G04R 60/12

**FOREIGN PATENT DOCUMENTS**

CN	308439393	*	9/2022
GB	230786	*	9/2022
ID	A00202203195	*	9/2023
IN	372179	*	10/2022

\* cited by examiner

*Primary Examiner* — Leanne Was-Englehart

*Assistant Examiner* — Molly Loch

(74) *Attorney, Agent, or Firm* — Holtz, Holtz & Volek PC

(57) **CLAIM**

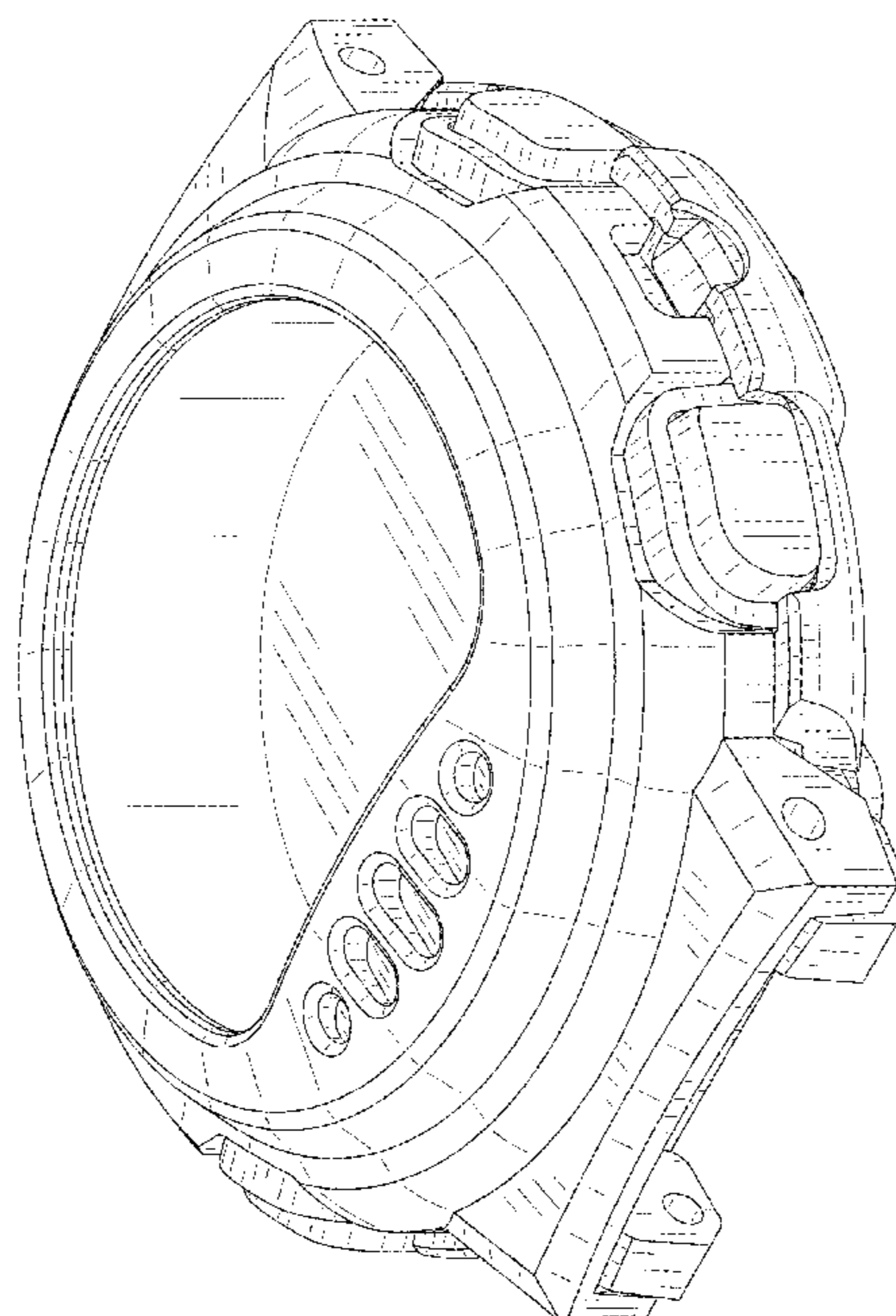
The ornamental design for a watch case as shown and described.

**DESCRIPTION**

FIG. 1 is a front, right side, bottom perspective view of a watch case showing my new design;  
FIG. 2 is a front elevational view thereof;  
FIG. 3 is a rear elevational view thereof;  
FIG. 4 is a left side view thereof;  
FIG. 5 is a right side view thereof;  
FIG. 6 is a top plan view thereof;  
FIG. 7 is a bottom plan view thereof; and,  
FIG. 8 is a front elevational view thereof, with a watchband attached.

The broken lines depict portions of the watch case that form no part of the claimed design. The broken lines in FIG. 8 are included for the purpose of illustrating environmental structure and form no part of the claimed design.

**1 Claim, 7 Drawing Sheets**



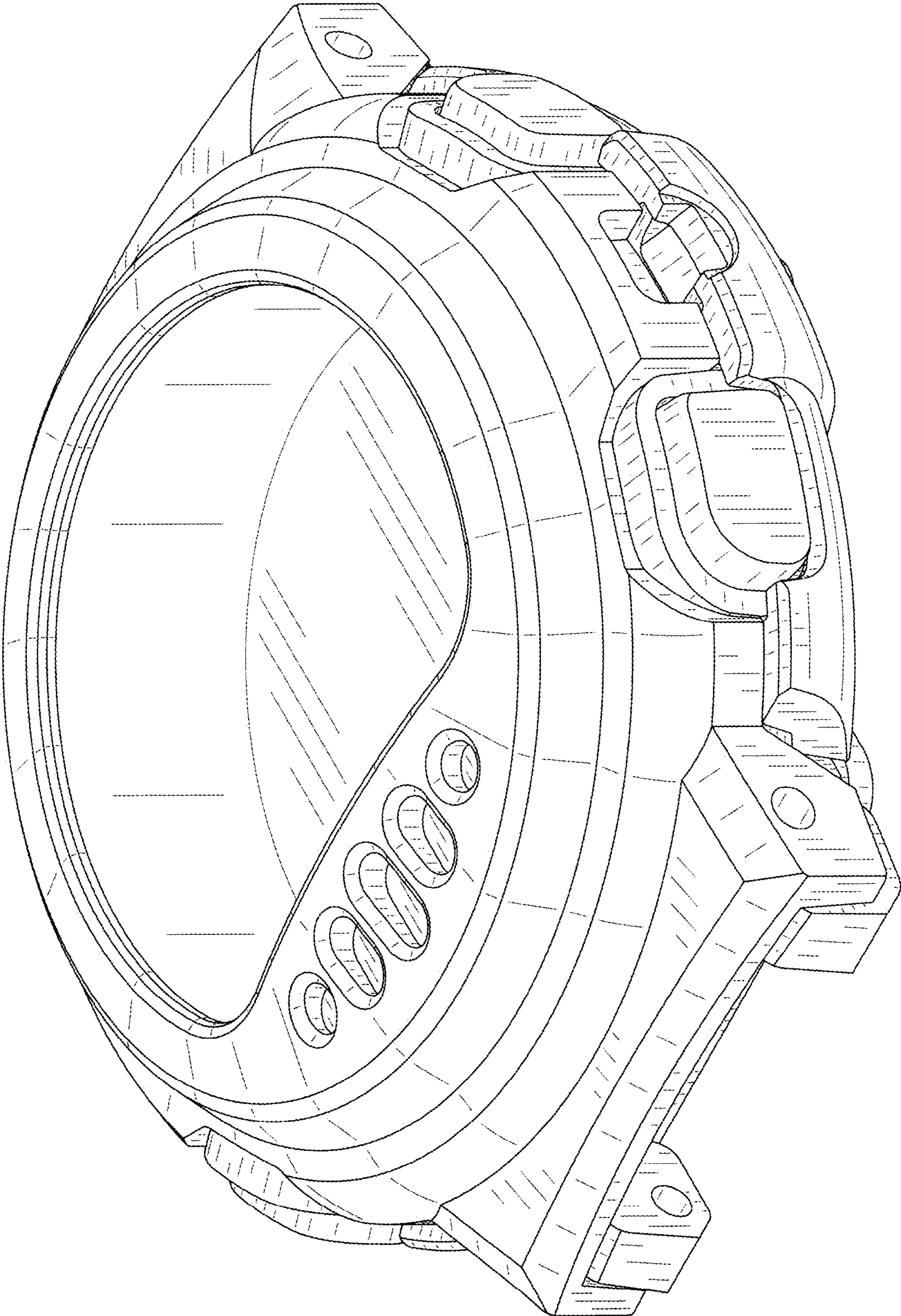
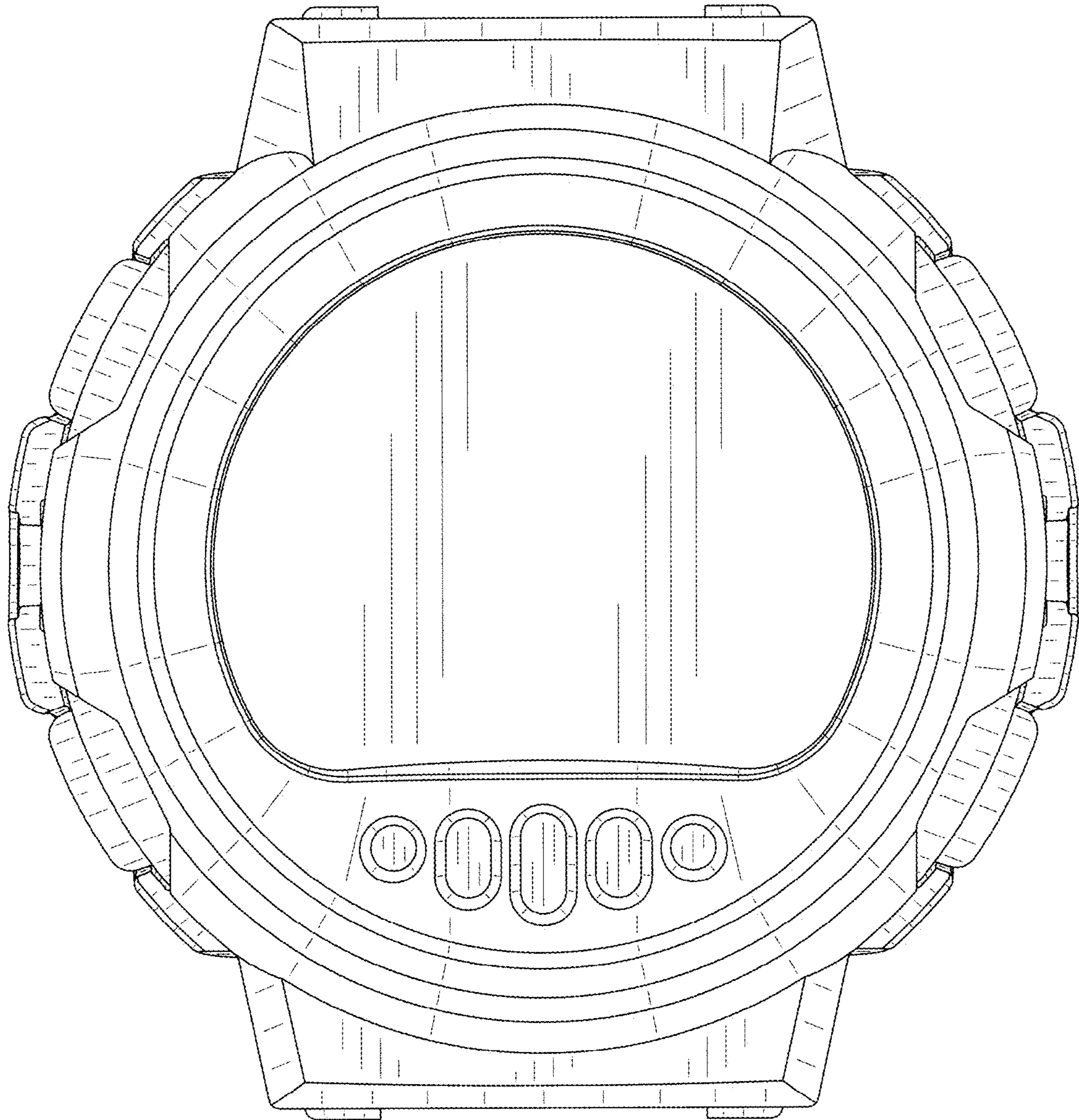


FIG. 1



**FIG. 2**

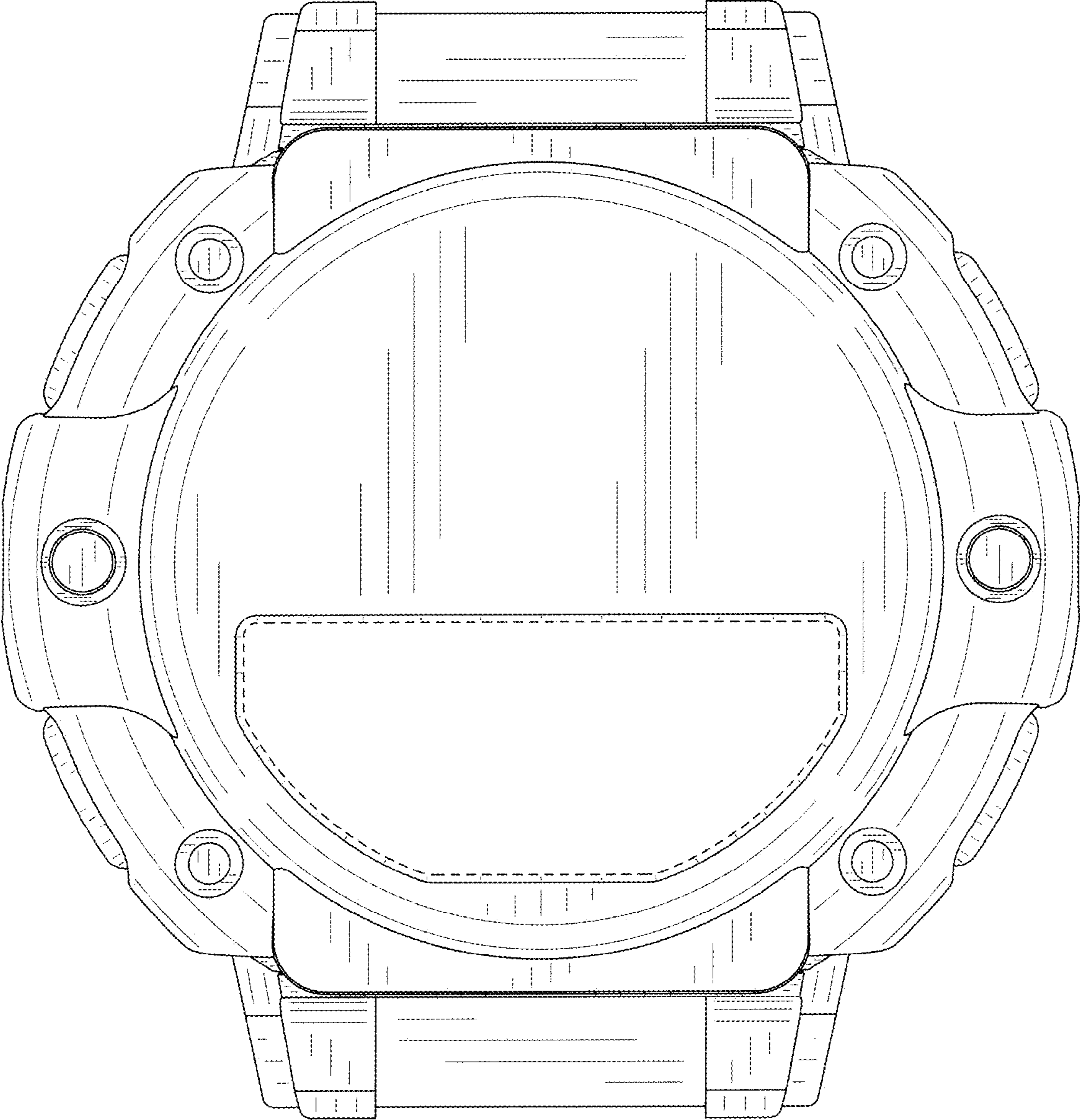
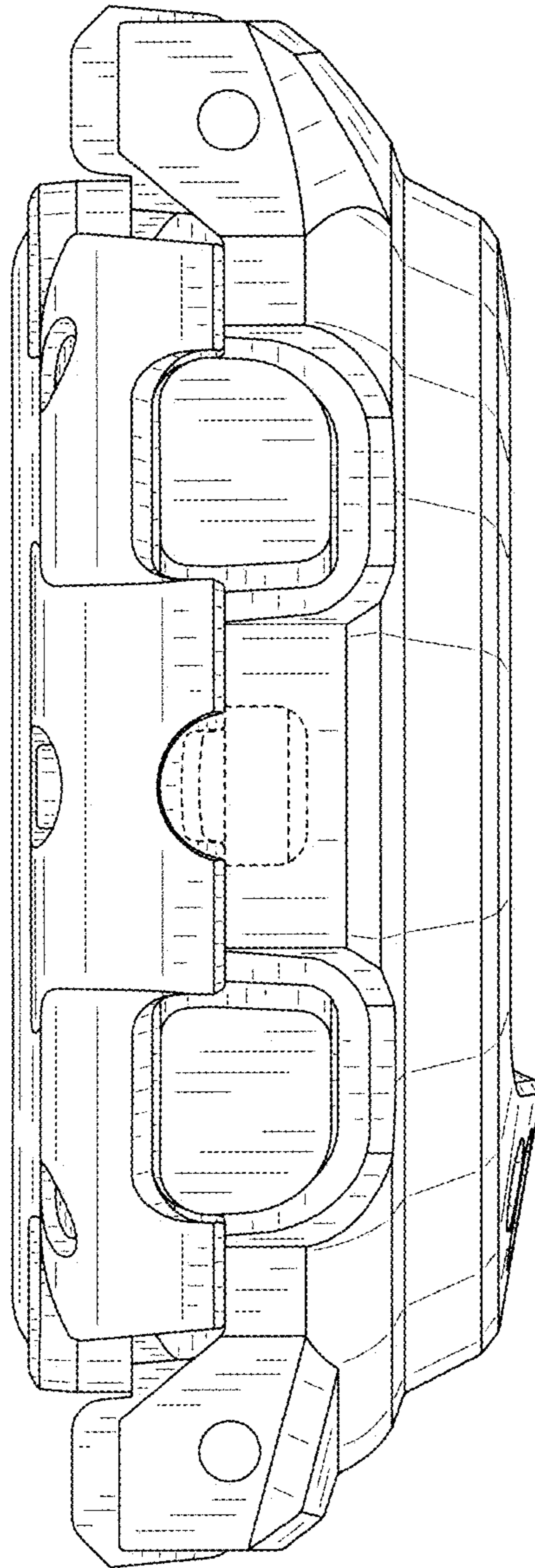
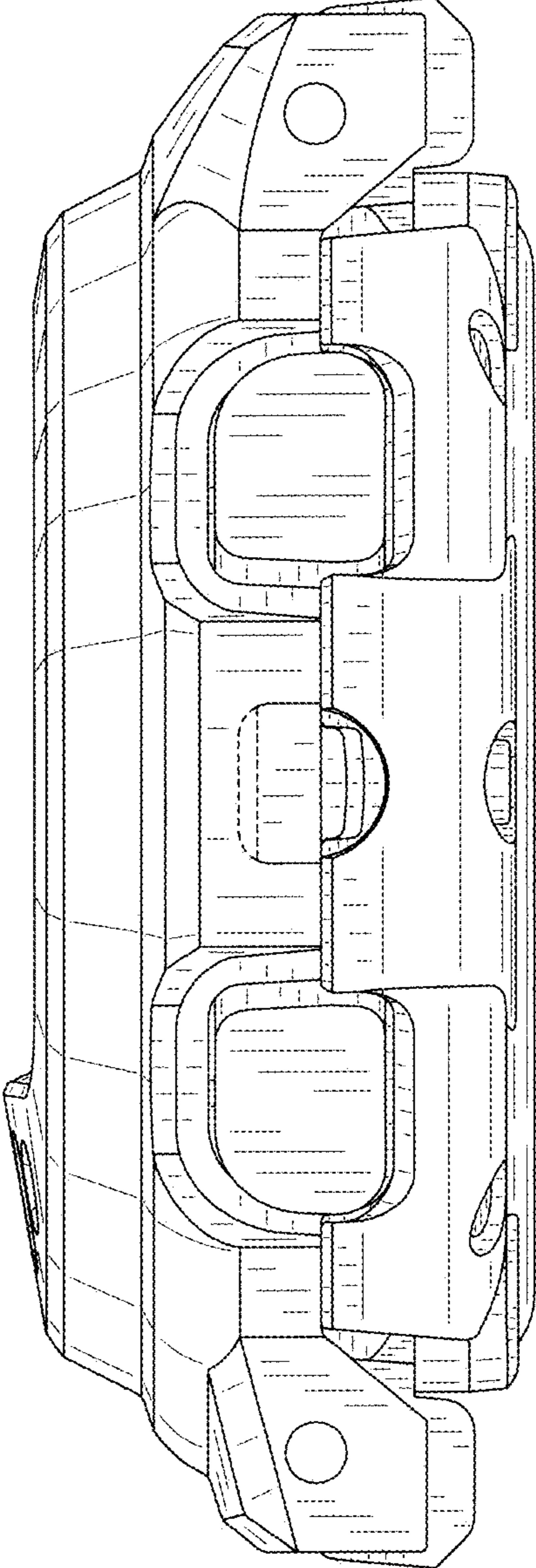


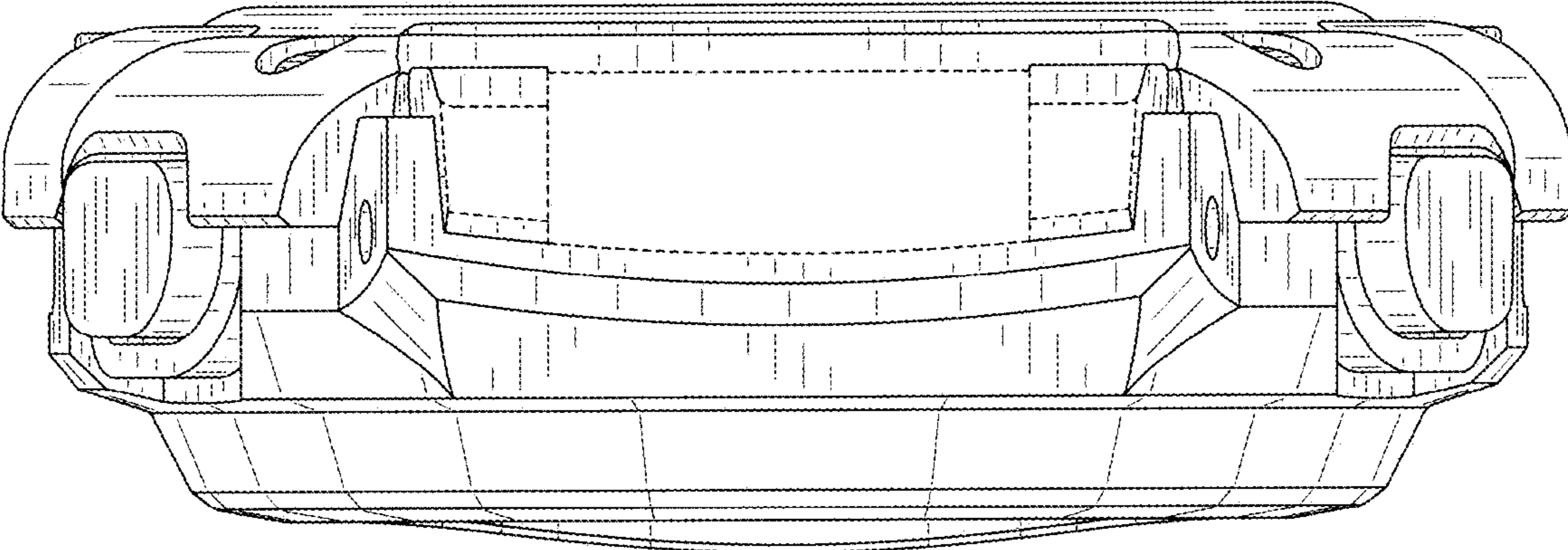
FIG. 3



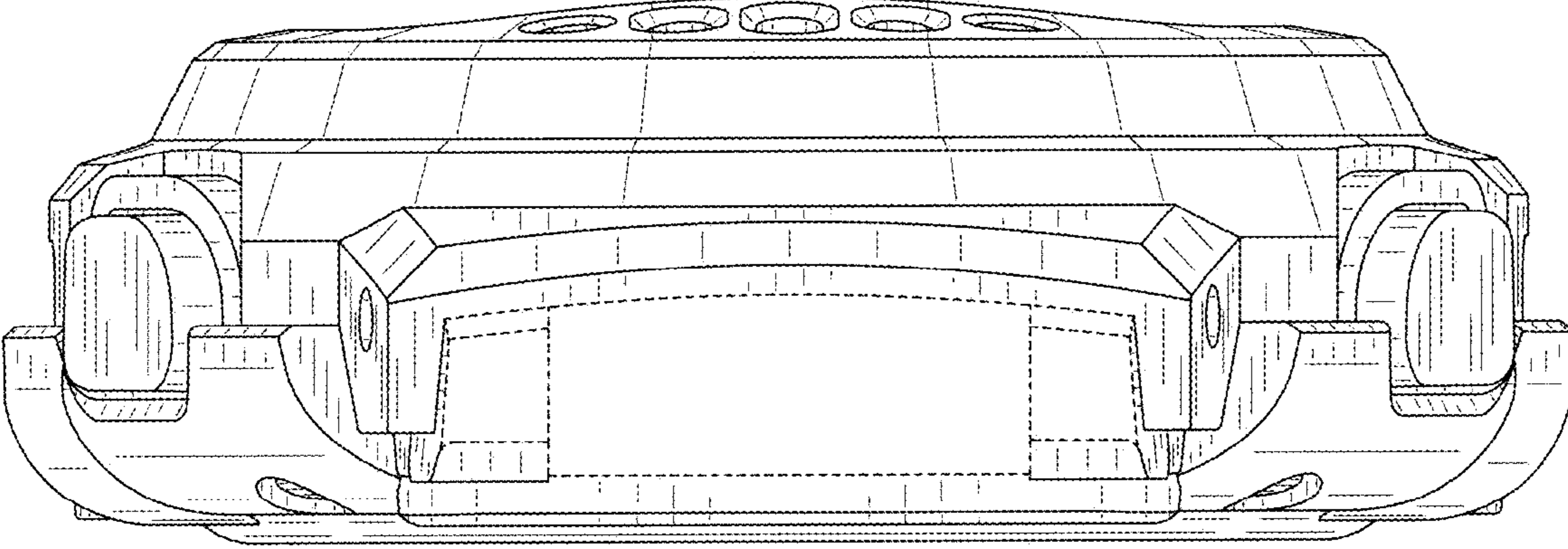
**FIG. 4**



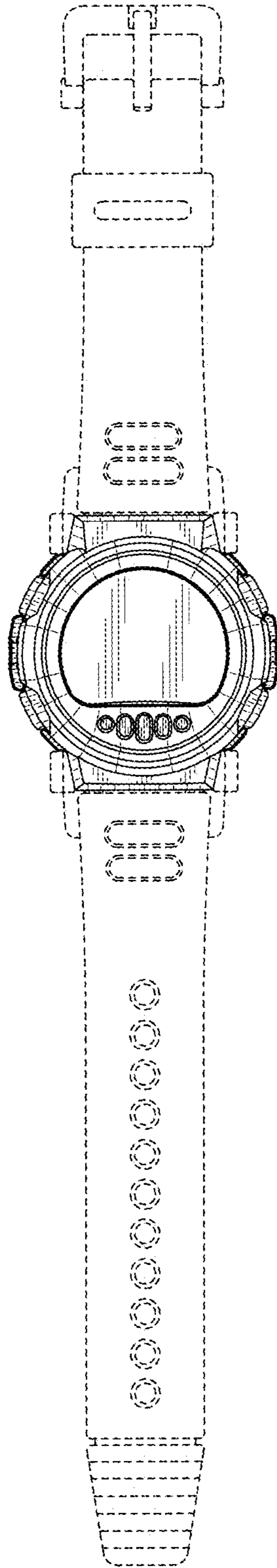
**FIG. 5**



**FIG. 6**



**FIG. 7**



**FIG. 8**