

US0D1047697S

(12) **United States Design Patent** (10) **Patent No.:** **US D1,047,697 S**
Vivas (45) **Date of Patent:** **** Oct. 22, 2024**

(54) **BOTTLE CAP**
(71) Applicant: **Penhaligon's Limited**, London (GB)
(72) Inventor: **José Vivas**, Barcelona (ES)
(73) Assignee: **Penhaligon's Limited**, London (GB)
(**) Term: **15 Years**
(21) Appl. No.: **29/864,918**

D97,824 S * 12/1935 Ross D9/610
D189,880 S * 3/1961 Blake D21/659
D199,416 S * 10/1964 Katz D21/616
(Continued)

FOREIGN PATENT DOCUMENTS

EM 009061138-0001 * 7/2022
GB 9005660198-0002 * 9/2018
(Continued)

OTHER PUBLICATIONS

The Omniscient Mr Thompson, posted date not available [retrieved Sep. 27, 2023]. Retrieved from internet, <https://www.penhaligons.com/us/en/categories/fragrances/shop-all-us/the-omniscient-mr-thompson-000000000065171067> (Year: 2023).*
(Continued)

(22) Filed: **Jun. 28, 2022**
(51) **LOC (14) Cl.** **09-07**
(52) **U.S. Cl.**

(58) **Field of Classification Search**
USPC **D9/610; D9/451**
USPC D9/600, 601, 606, 608, 610, 614, 615,
D9/620, 621, 623, 624, 625, 627, 628,
D9/655, 656, 658, 661, 664, 682, 683,
D9/684, 685, 690, 715, 718, 719, 723,
D9/724, 737, 738, 741, 744, 745, 746,
D9/747, 751, 752, 763, 764, 766, 767,
D9/772, 773, 775, 776, 777, 778, 779,
D9/780, 500, 502, 503, 504, 516, 519,
D9/520, 530, 565, 434, 435, 441, 451,
D9/499; D7/500, 509, 510, 514, 519,
D7/520, 521, 601, 602, 612, 613;
D24/215
CPC A47G 19/2205; A47G 19/2272; B65D
2543/00046; B65D 2543/00092; B65D
67/00; B65D 81/36; B65D 81/60; B65D
81/368; B65D 37/00; B65D 5/42; B65D
5/4208; B65D 77/00; A63H 33/10; A63H
33/16

See application file for complete search history.

(56) **References Cited**

U.S. PATENT DOCUMENTS

D15,253 S * 8/1884 Abbott D9/451
D92,509 S * 6/1934 Allers D9/610

Primary Examiner — Darcey E Gottschalk
Assistant Examiner — Haley K Schnebele
(74) *Attorney, Agent, or Firm* — FisherBroyles, LLP;
Jason M. Pass

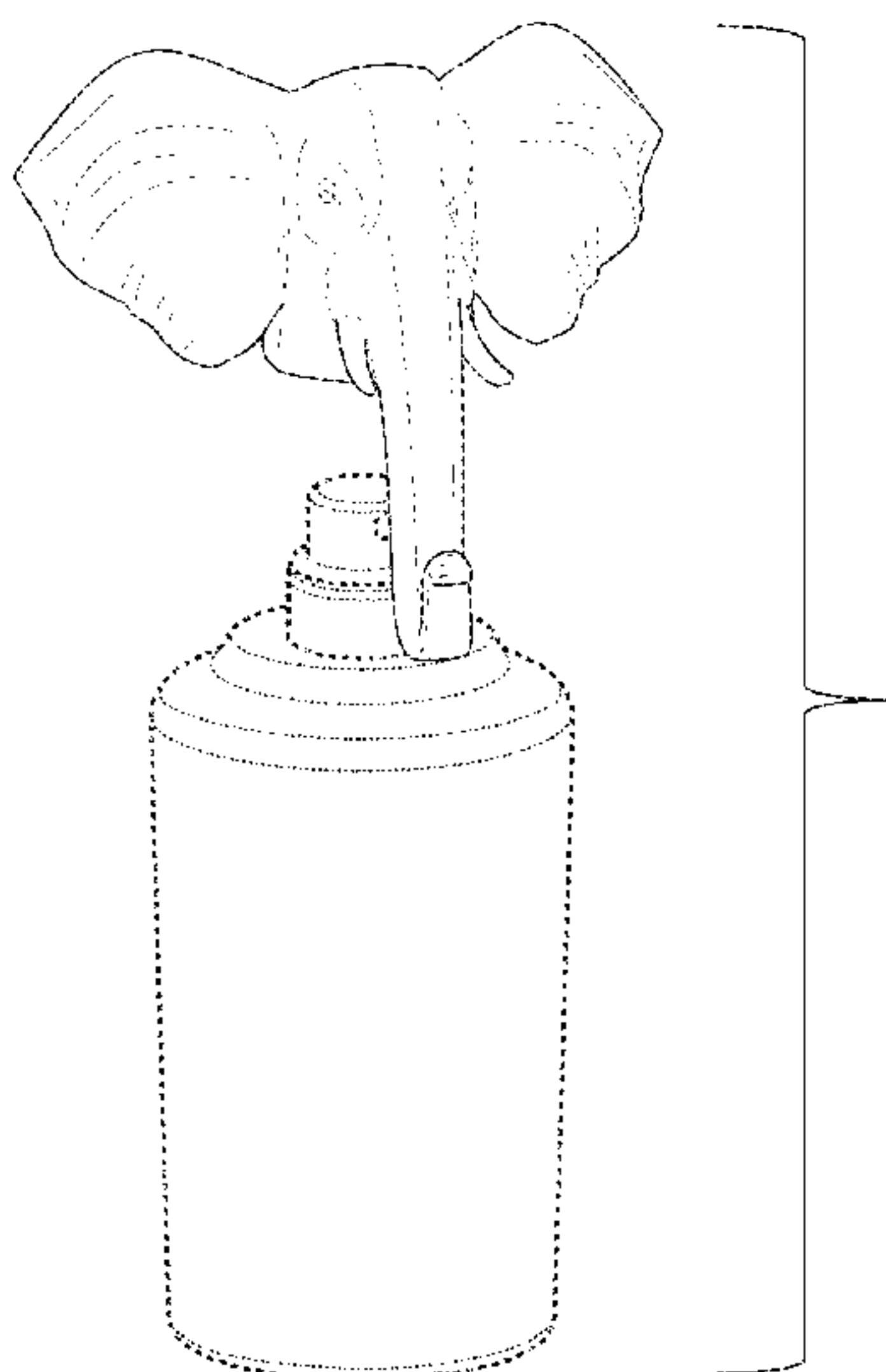
(57) **CLAIM**

The ornamental design for a bottle cap, as shown and described.

DESCRIPTION

FIG. 1 is an exploded front perspective view of a bottle cap with the cap removed from the bottle, according to my design;
FIG. 2 is a front view thereof;
FIG. 3 is a right side view thereof;
FIG. 4 is a left side view thereof;
FIG. 5 is a rear view thereof; and,
FIG. 6 is a top view thereof.
The broken lines shown in the drawings illustrate portions of the bottle cap that form no part of the claimed design. The bottom portion of the bottle cap forms no part of the claimed design and is hereby disclaimed.

1 Claim, 6 Drawing Sheets



(56)

References Cited

U.S. PATENT DOCUMENTS

D215,868 S * 11/1969 Frank D9/610
3,998,364 A * 12/1976 Hollander B67D 1/0456
222/394
D798,150 S * 9/2017 Vivas D9/503
D798,151 S * 9/2017 Vivas D9/503
D798,152 S * 9/2017 Vivas D9/503
D798,153 S * 9/2017 Vivas D9/503
D869,949 S * 12/2019 Vivas D9/608
D872,583 S * 1/2020 Vivas D9/451
D872,584 S * 1/2020 Vivas D9/451
D872,585 S * 1/2020 Vivas D9/451
D872,586 S * 1/2020 Vivas D9/451
D872,587 S * 1/2020 Vivas D9/604
D872,588 S * 1/2020 Vivas D9/451
D872,589 S * 1/2020 Vivas D9/451
D872,590 S * 1/2020 Vivas D9/451
D974,174 S * 1/2023 Vivas D9/451

FOREIGN PATENT DOCUMENTS

GB 9006988663-0001 * 10/2019
GB 6213141 * 6/2022

OTHER PUBLICATIONS

TNT Group fabrica un nuevo tapón para The Omniscient Mr. Thompson de Penhaligon's, posted Sep. 26, 2023 [retrieved Sep. 27, 2023]. Retrieved from internet, <https://www.newspackaging.es/tnt-group-fabrica-un-nuevo-tapon-para-the-omniscient-mr-thompson-de-penhaligons/> (Year: 2023).*

* cited by examiner

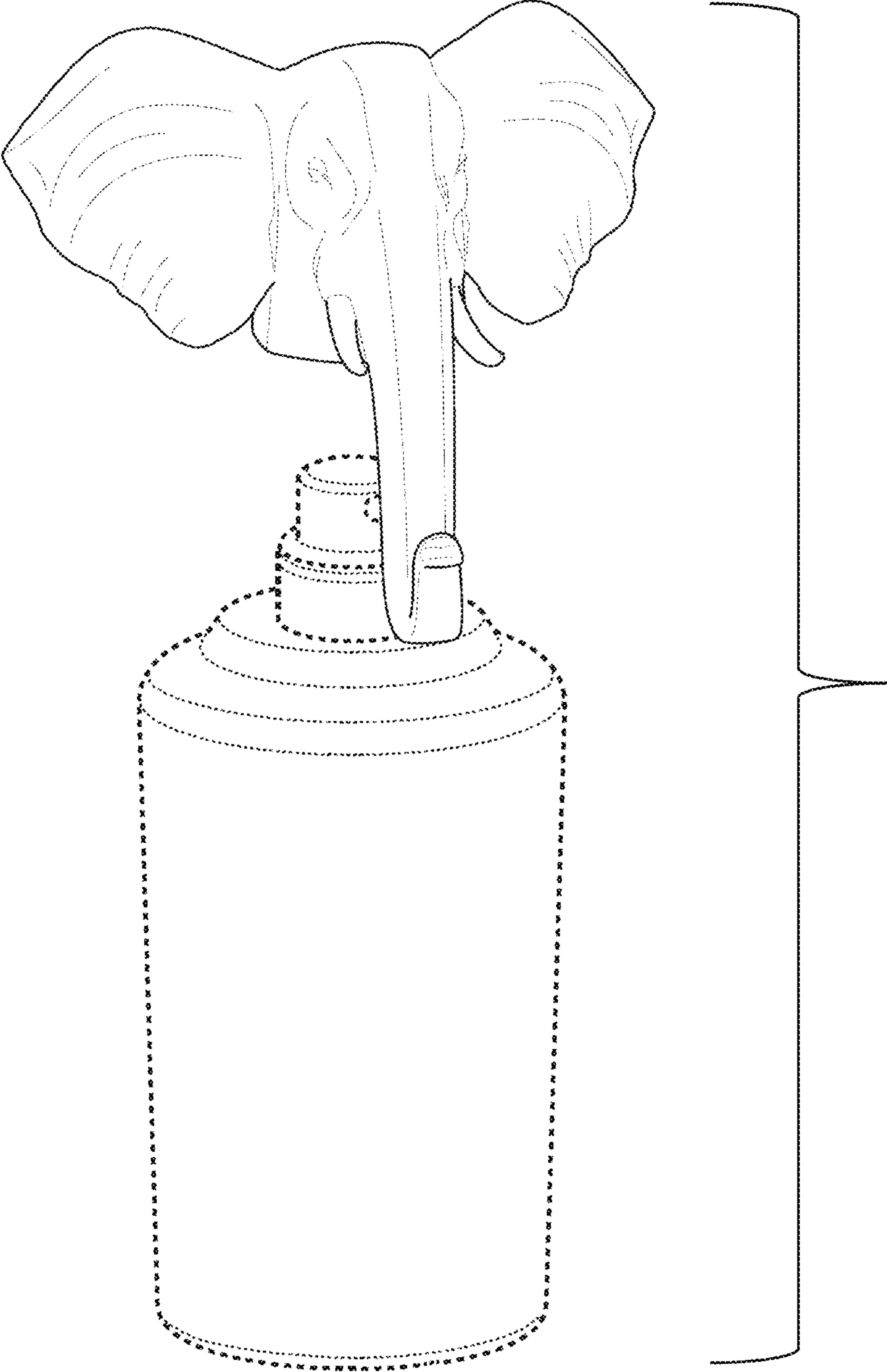


FIG. 1

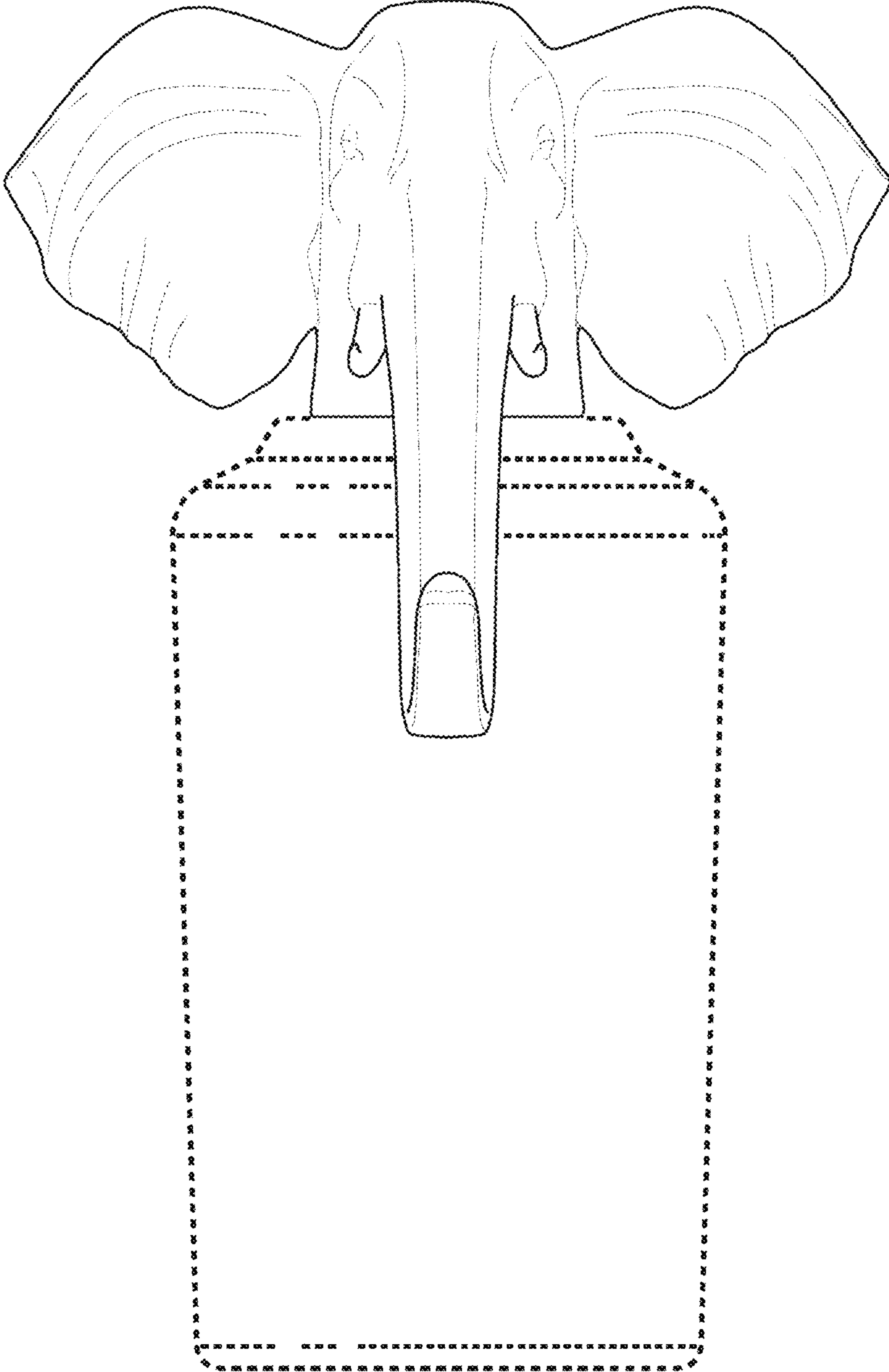


FIG. 2

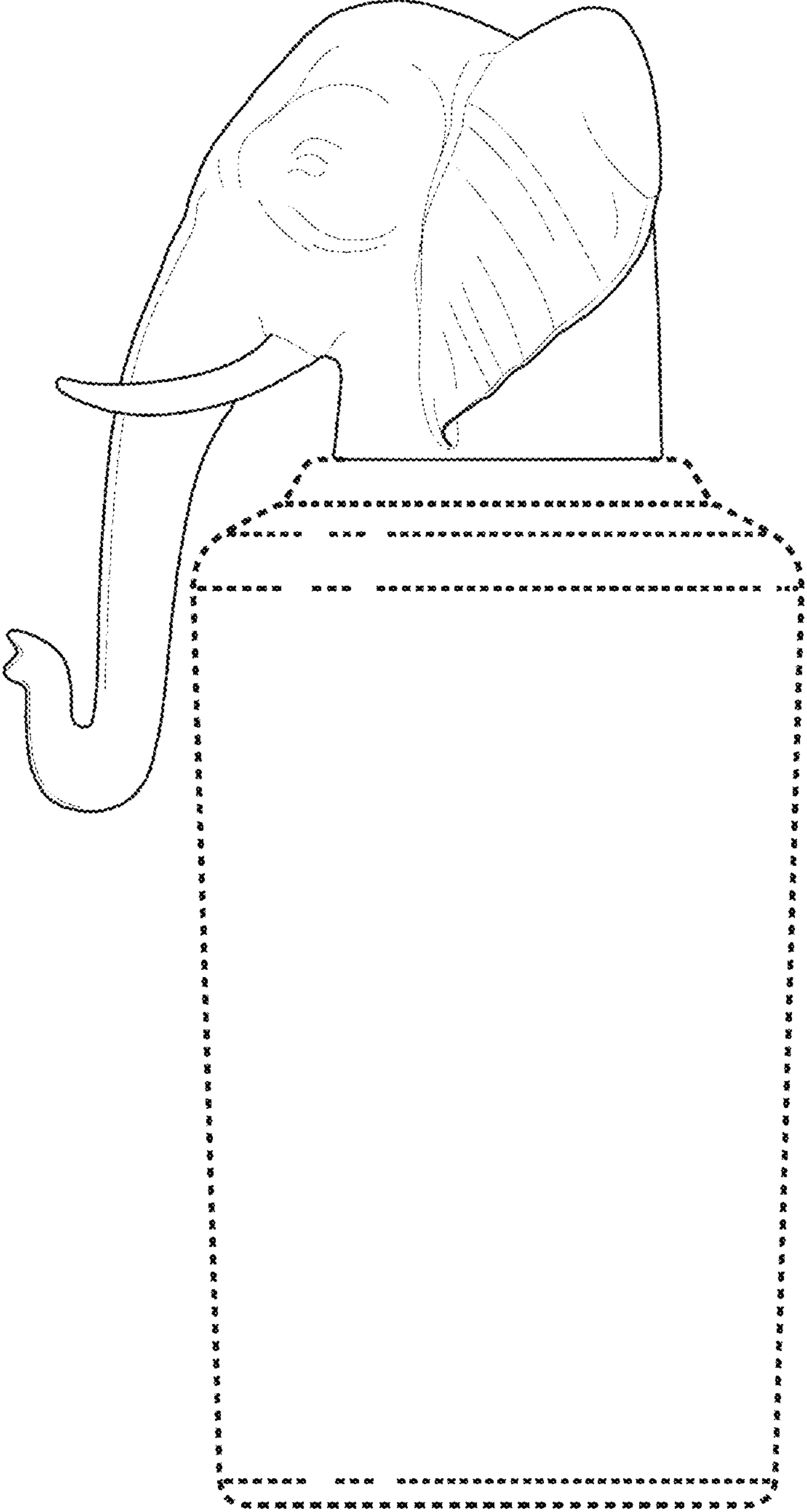


FIG. 3

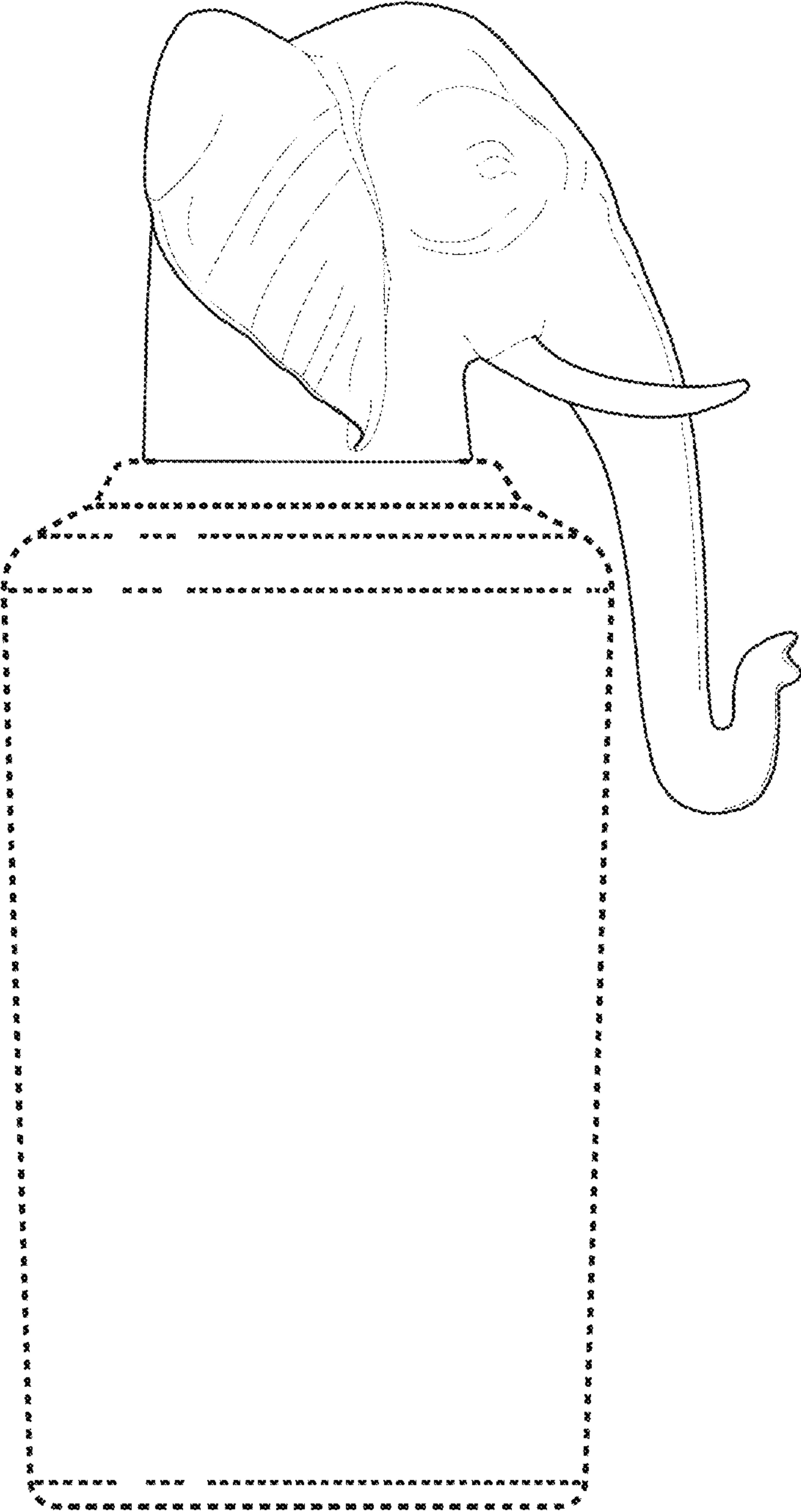


FIG. 4

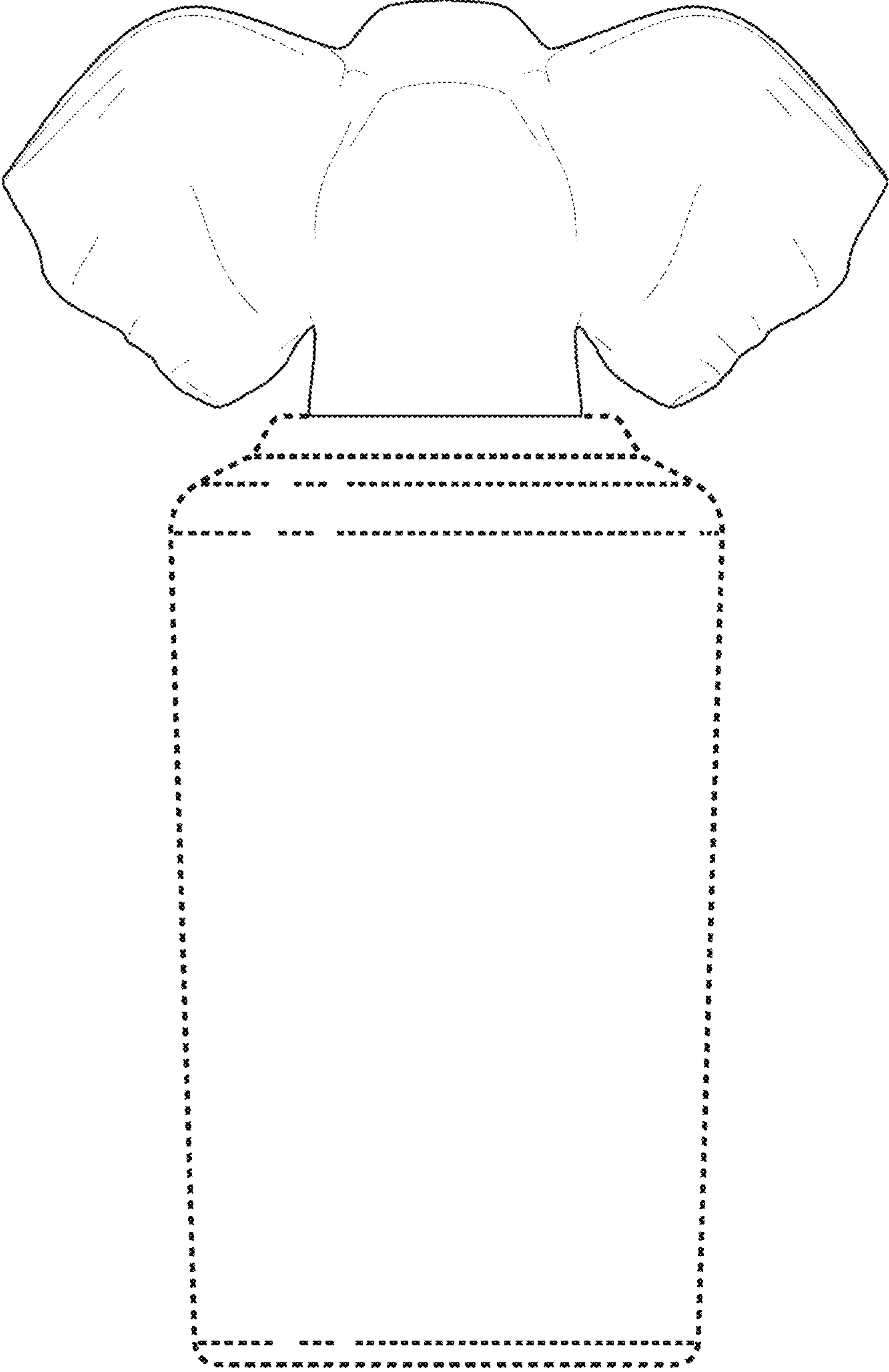


FIG. 5

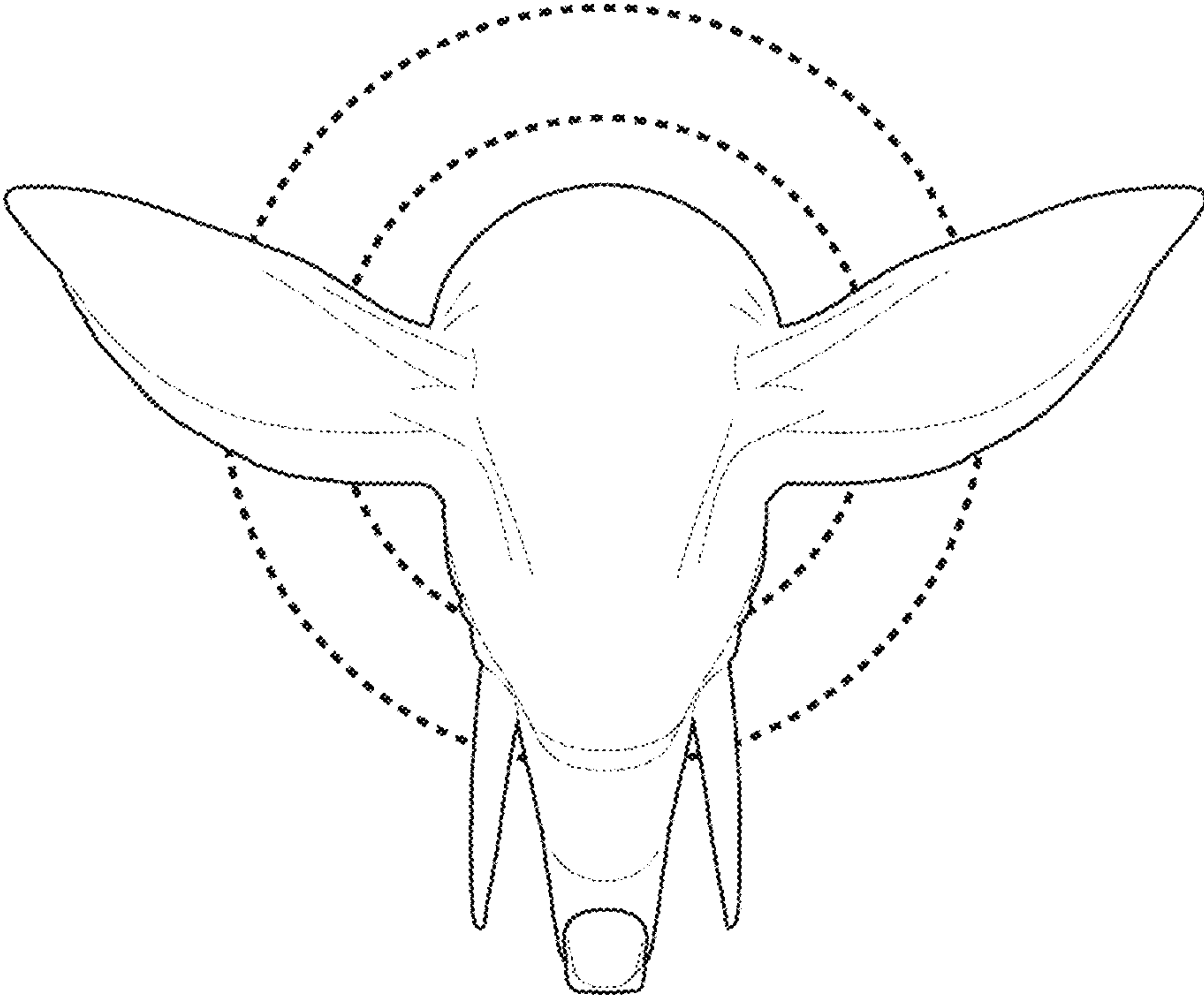


FIG. 6