



US0D1047680S

(12) **United States Design Patent** (10) **Patent No.:** **US D1,047,680 S**
Burmester et al. (45) **Date of Patent:** **** Oct. 22, 2024**

(54) **SPRAY NOZZLE CLAMP** D712,226 S * 9/2014 Francaviglia D8/394
D917,370 S * 4/2021 Harriton A61M 39/283
(71) Applicant: **NORDSON CORPORATION,** D8/382
Westlake, OH (US) D924,044 S * 7/2021 Vandenberg B05B 13/0627
(72) Inventors: **Thomas Burmester,** Bleckede (DE); D8/382
Sang Hyub Shin, Duluth, GA (US) 11,484,905 B1 * 11/2022 Burmester B05B 15/652
2015/0060577 A1 * 3/2015 Kosovich B05B 13/0627
239/390

(73) Assignee: **Nordson Corporation,** Westlake, OH (US)

(**) Term: **15 Years**

(21) Appl. No.: **29/781,847**

(22) Filed: **Apr. 30, 2021**

(51) **LOC (14) Cl.** **23-01**

(52) **U.S. Cl.**
USPC **D23/265;** D8/394

(58) **Field of Classification Search**
USPC D8/382, 383, 394, 354, 355, 356, 72, 71;
D15/5; D25/68, 133; D13/149;
D23/262, 265; D12/162
CPC B05B 15/65; B05B 15/652
See application file for complete search history.

FOREIGN PATENT DOCUMENTS

JP 1174391 S 4/2003
JP 2004-261794 A 9/2004
JP 1278240 S 6/2006

* cited by examiner

Primary Examiner — Calvin E Vansant

Assistant Examiner — Benjamin L. Gray

(74) *Attorney, Agent, or Firm* — BakerHostetler

(57) **CLAIM**

The ornamental design for a spray nozzle clamp as shown and described.

(56) **References Cited**

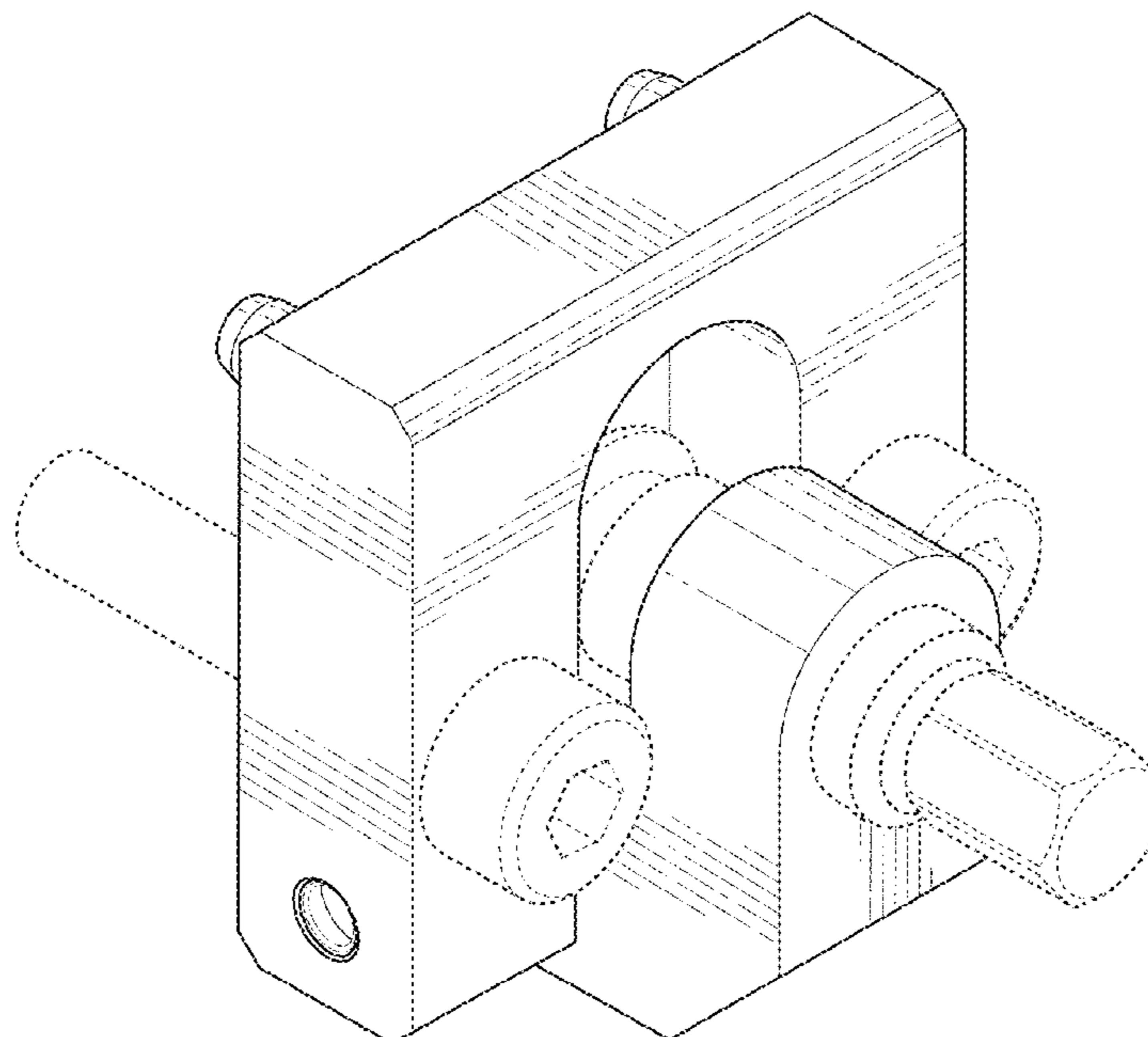
U.S. PATENT DOCUMENTS

2,642,243 A * 6/1953 Kindorf F16L 3/24
D8/394
2,865,591 A * 12/1958 Holinshead A61M 39/283
251/8
D195,997 S * 8/1963 Reithoffer D8/394
D231,599 S * 5/1974 Rumble D8/394
D236,470 S * 8/1975 Mullins D23/262
D371,861 S * 7/1996 Stamm F16L 3/24
D26/140
D695,091 S * 12/2013 Nunez Farfan D8/354
D702,530 S * 4/2014 Hasegawa D8/349

DESCRIPTION

FIG. 1 is a perspective view of a spray nozzle clamp;
FIG. 2 is a front elevation view thereof;
FIG. 3 is a back elevation view thereof;
FIG. 4 is a right side elevation view thereof;
FIG. 5 is a left side elevation view thereof;
FIG. 6 is a top plan view thereof; and,
FIG. 7 is a bottom plan view thereof.
In the drawings, the broken lines depict portions of the spray nozzle clamp and form no part of the claimed design.

1 Claim, 4 Drawing Sheets



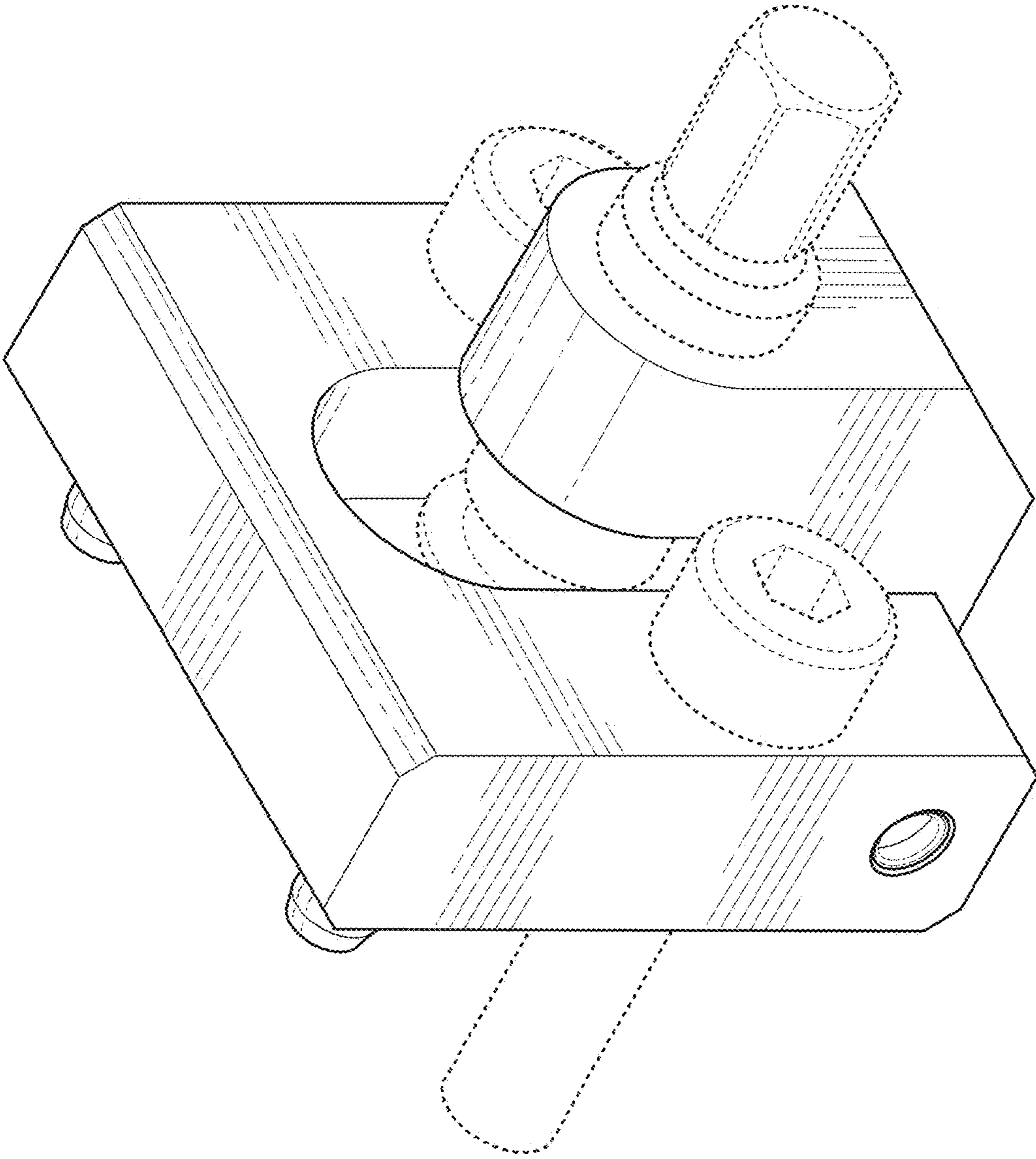


FIG. 1

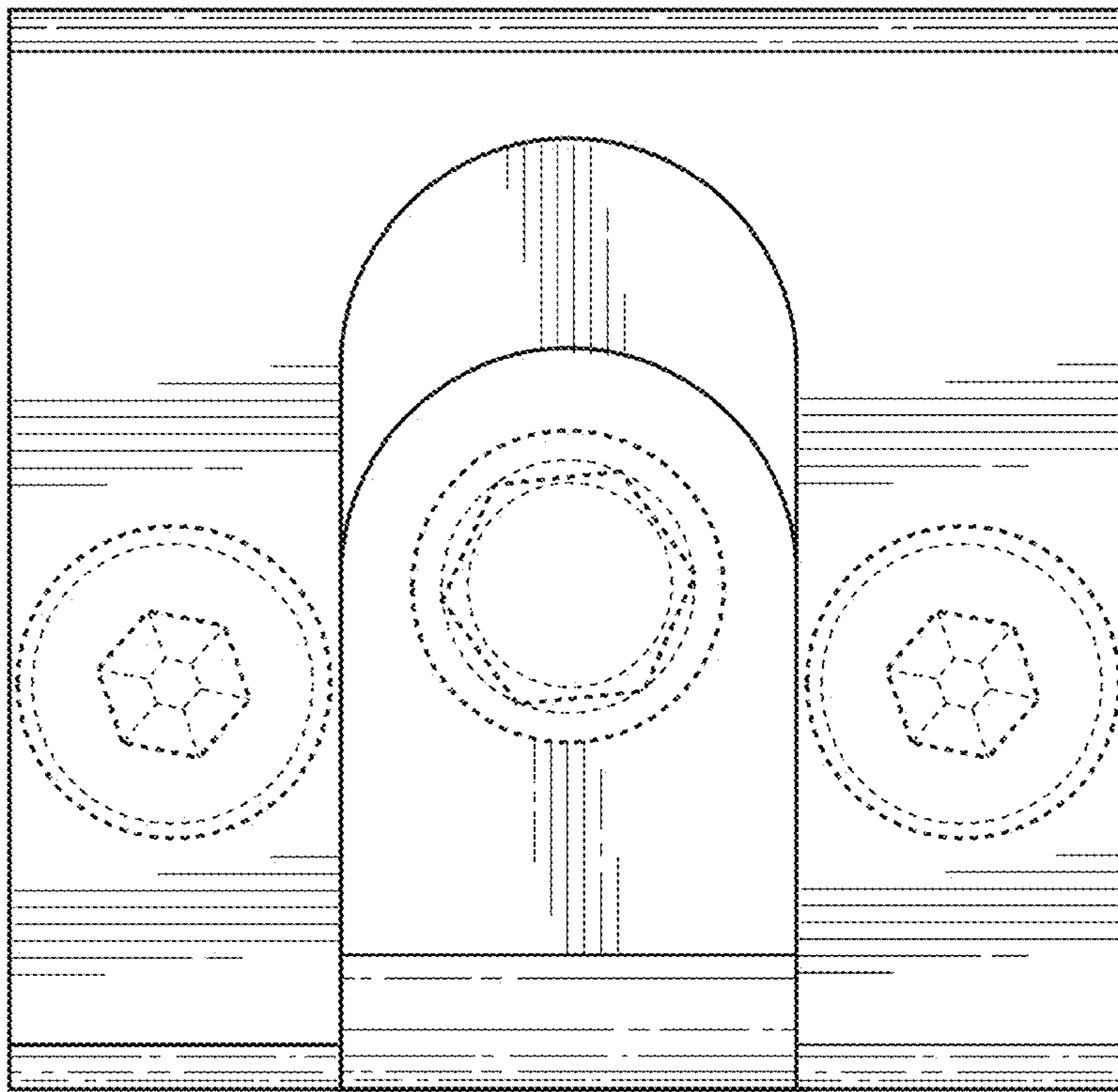


FIG. 2

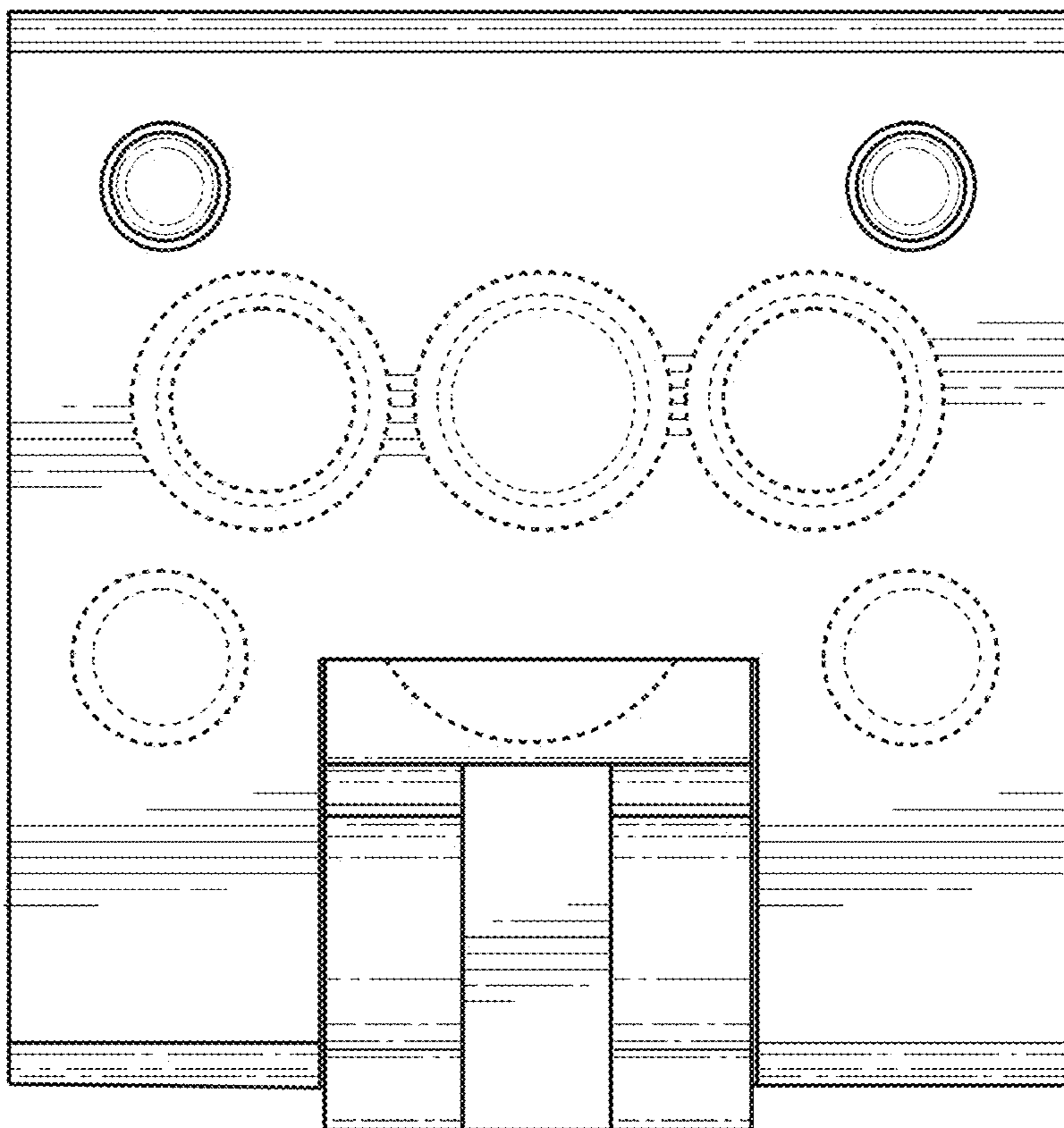


FIG. 3

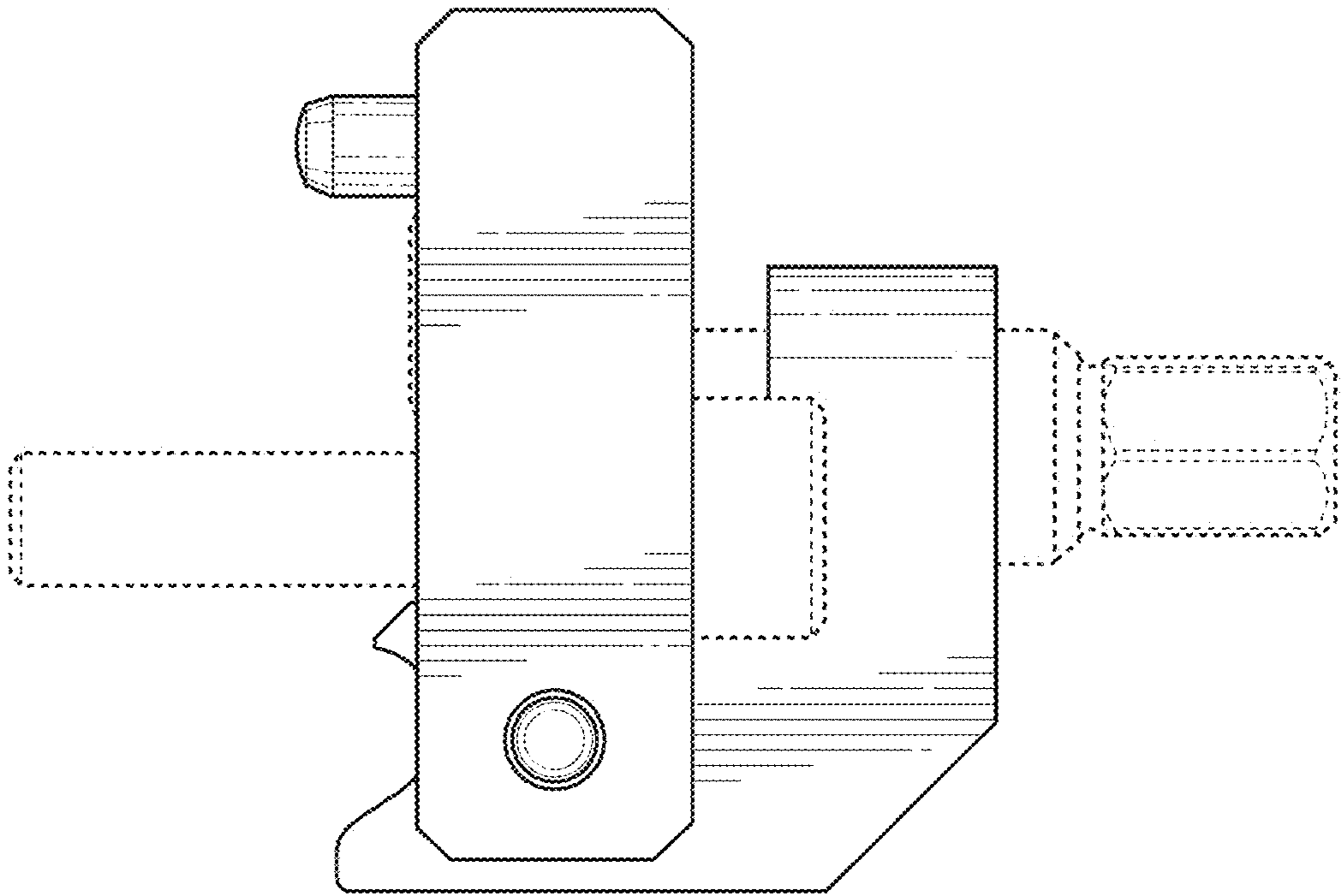


FIG. 4

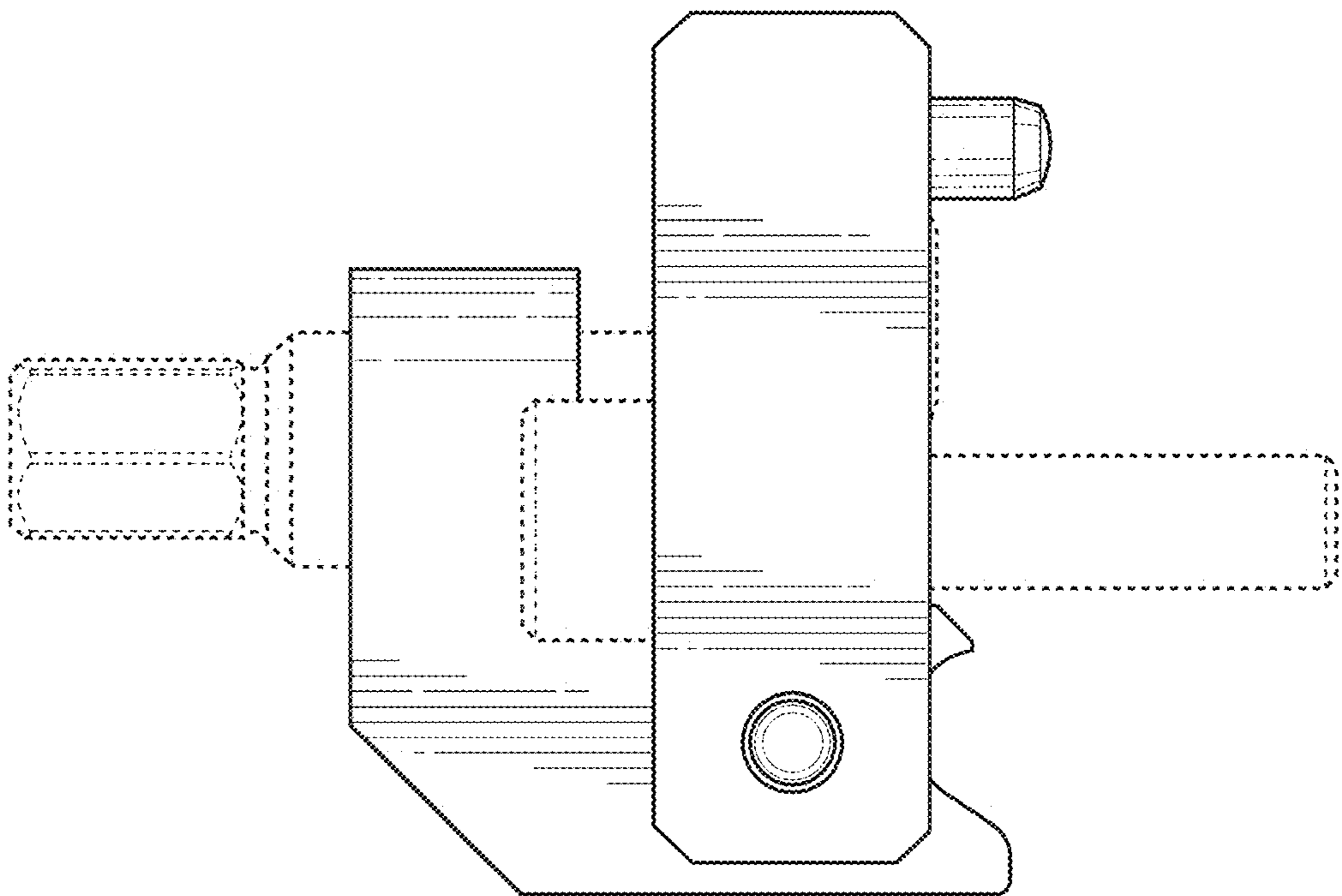


FIG. 5

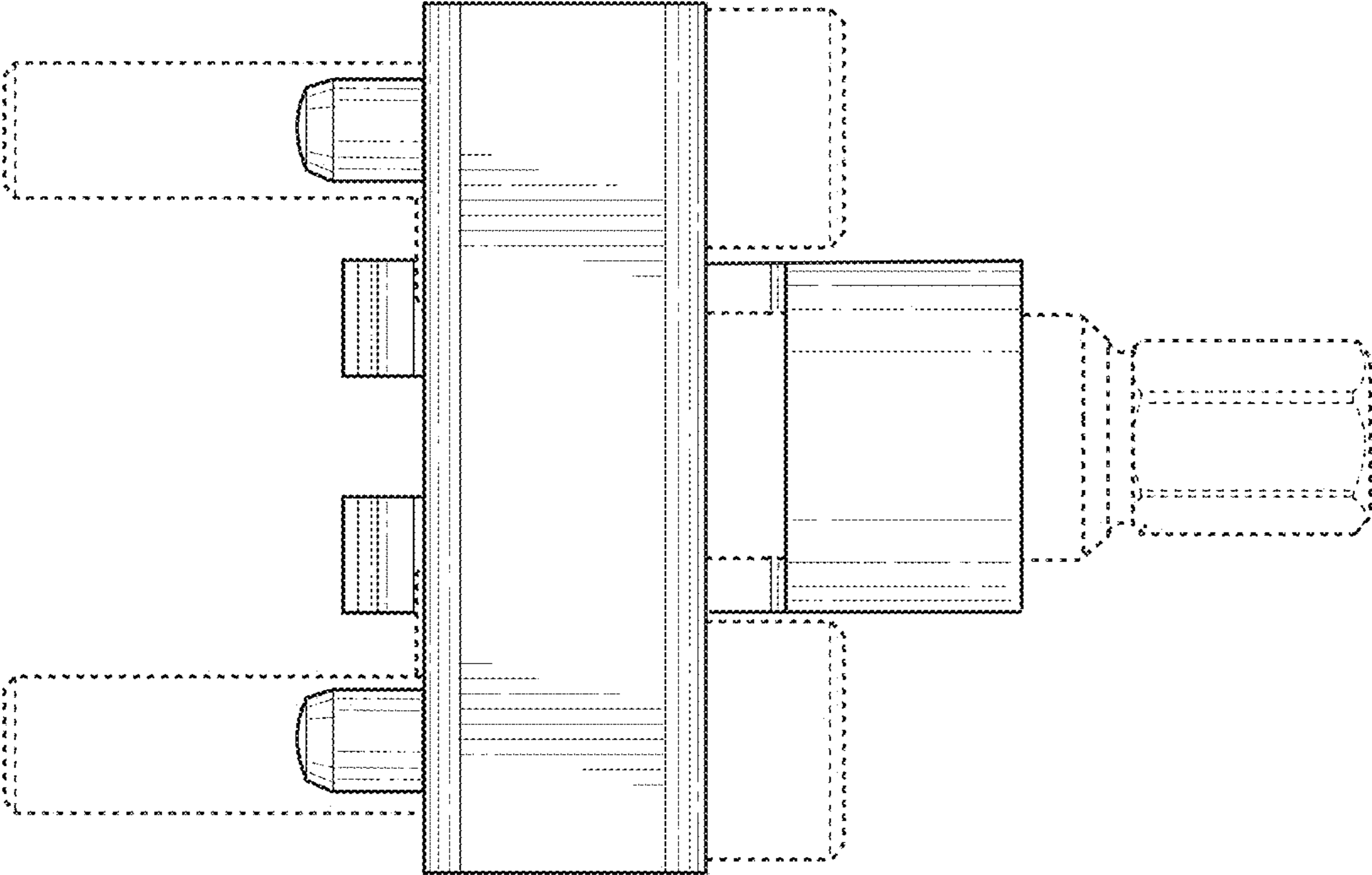


FIG. 6

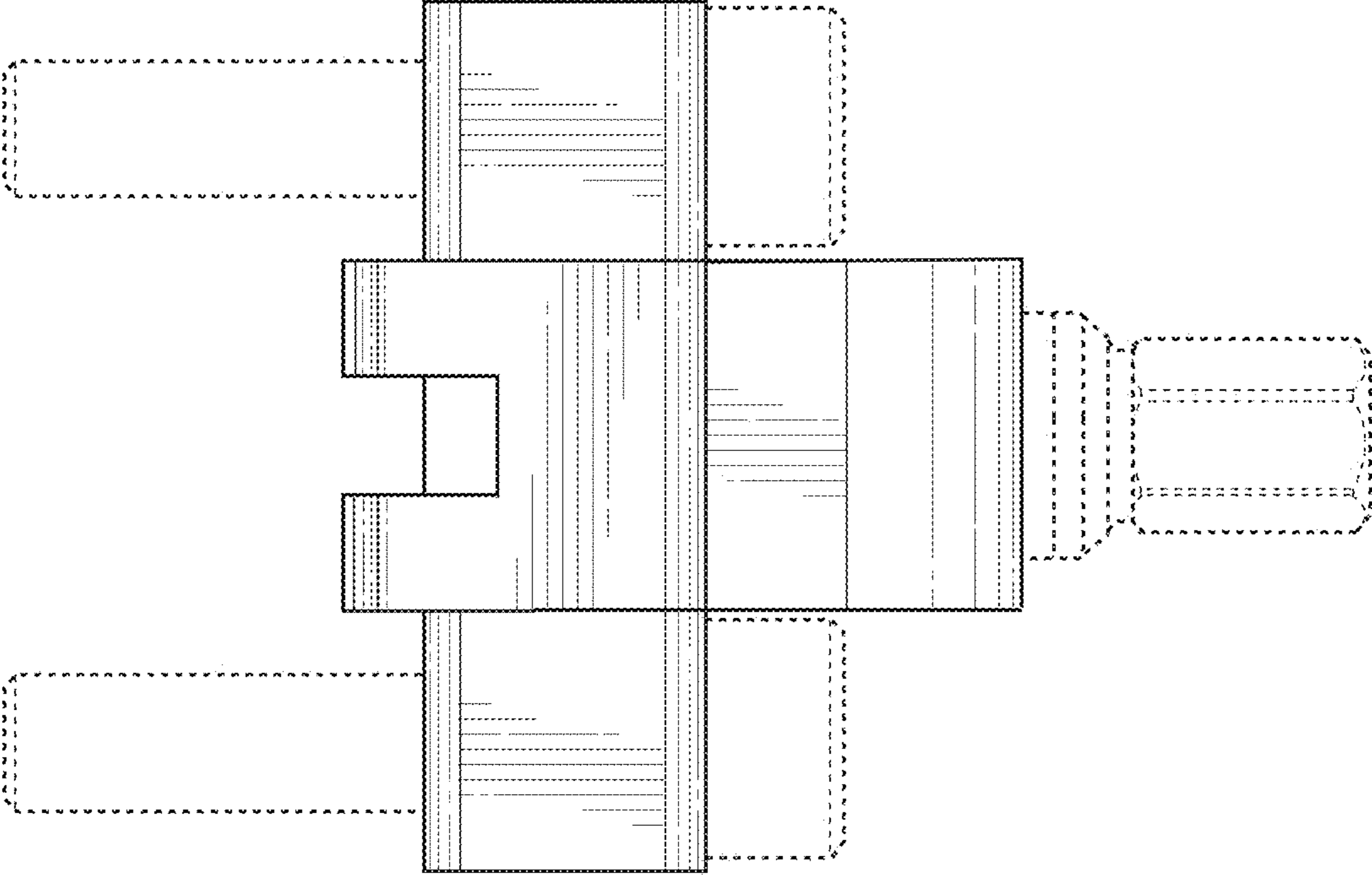


FIG. 7