



US0D1047659S

(12) **United States Design Patent** (10) **Patent No.:** **US D1,047,659 S**  
**Li** (45) **Date of Patent:** **\*\* Oct. 22, 2024**

(54) **ANTI-THEFT BRACKET**  
(71) Applicant: **Dongyang Li**, Shandong (CN)  
(72) Inventor: **Dongyang Li**, Shandong (CN)  
(\*\*) Term: **15 Years**  
(21) Appl. No.: **29/941,103**  
(22) Filed: **May 8, 2024**  
(51) **LOC (14) Cl.** ..... **08-07**  
(52) **U.S. Cl.**  
USPC ..... **D8/338**  
(58) **Field of Classification Search**  
USPC ..... D8/330, 331, 333, 337, 338, 339, 341,  
D8/342, 343, 346, 349, 354, 380, 383,  
D8/499  
CPC ..... E05C 19/003; E05C 19/182; E05C 1/08  
See application file for complete search history.

D985,183 S \* 5/2023 Young ..... D8/343  
D993,008 S \* 7/2023 Deng ..... D8/366  
D1,002,338 S \* 10/2023 Nichols ..... D25/133  
D1,003,689 S \* 11/2023 Deng ..... D8/354  
D1,037,829 S \* 8/2024 Chen ..... D8/339  
D1,037,841 S \* 8/2024 Haney ..... D8/354

**OTHER PUBLICATIONS**

Komohom, posted Apr. 21, 2023 [online], [retrieved Aug. 29, 2024].  
Retrieved from internet, <https://www.amazon.com/Thickened-Barricade-Bracket-Security-Reinforcement/dp/B0CPLXXZHR> (Year: 2023).\*

\* cited by examiner

*Primary Examiner* — David G Muller  
*Assistant Examiner* — Christina Gabrielle Cosden

(57) **CLAIM**

The ornamental design for an anti-theft bracket as shown and described.

(56) **References Cited**

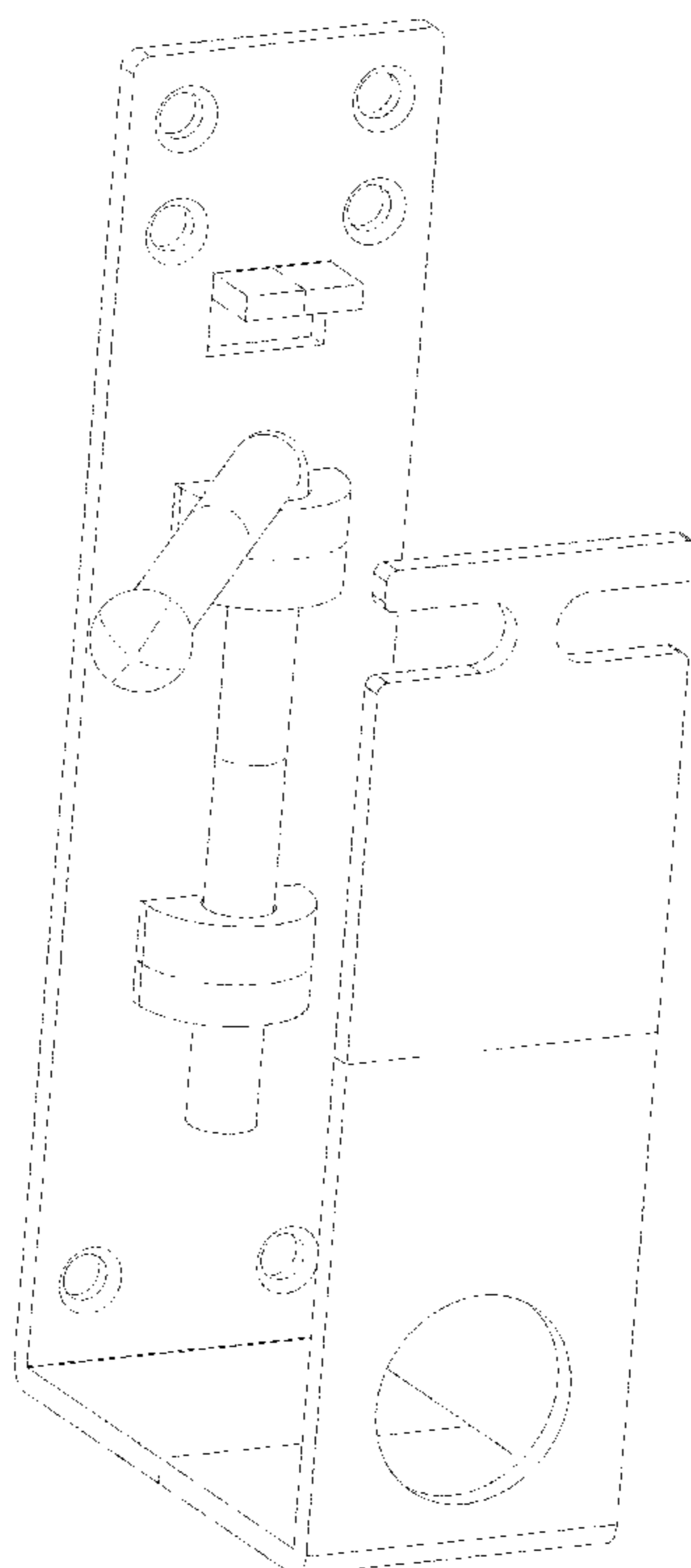
**U.S. PATENT DOCUMENTS**

D221,417 S \* 8/1971 Prichard ..... D8/333  
D258,489 S \* 3/1981 Gipson ..... D8/367  
D260,363 S \* 8/1981 Gipson ..... D8/367  
D316,025 S \* 4/1991 Webster ..... D8/333  
D322,744 S \* 12/1991 Donalies ..... D8/333  
D337,513 S \* 7/1993 Soloway ..... D10/106.1  
D548,044 S \* 8/2007 Tang ..... D8/343  
D596,922 S \* 7/2009 Falconer ..... D8/343  
D633,368 S 3/2011 Taylor  
D704,034 S \* 5/2014 Larsen ..... D8/346  
D719,436 S \* 12/2014 Roggero ..... D8/330  
9,856,682 B1 \* 1/2018 Cook ..... E05C 19/18  
D899,894 S \* 10/2020 Lundy ..... D8/343

**DESCRIPTION**

FIG. 1 is a front, top, and left perspective view of an anti-theft bracket showing my new design;  
FIG. 2 is a front elevational view thereof;  
FIG. 3 is a rear elevational view thereof;  
FIG. 4 is a left side elevational view thereof;  
FIG. 5 is a right side elevational view thereof;  
FIG. 6 is a top plan view thereof;  
FIG. 7 is a bottom plan view thereof; and,  
FIG. 8 is a rear, bottom, and right perspective view thereof.

**1 Claim, 8 Drawing Sheets**



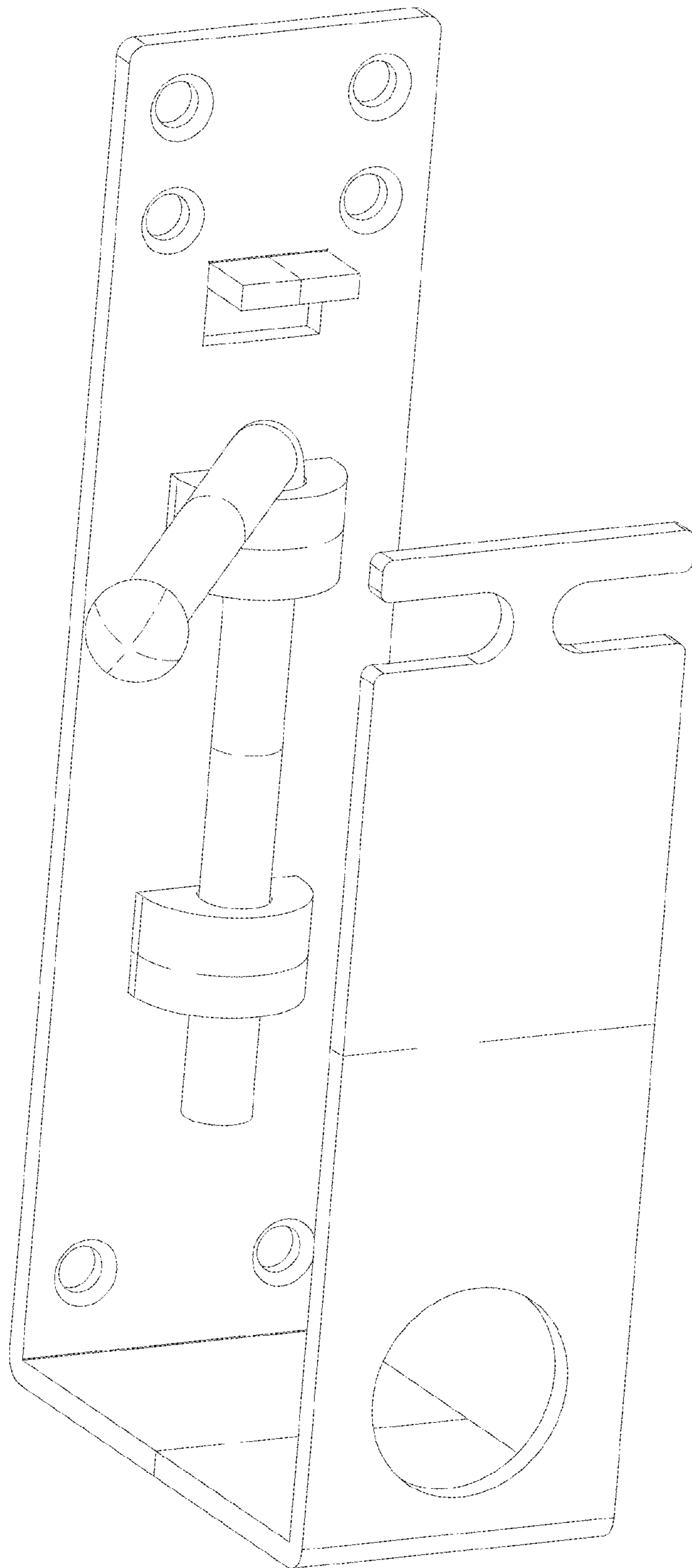


FIG. 1

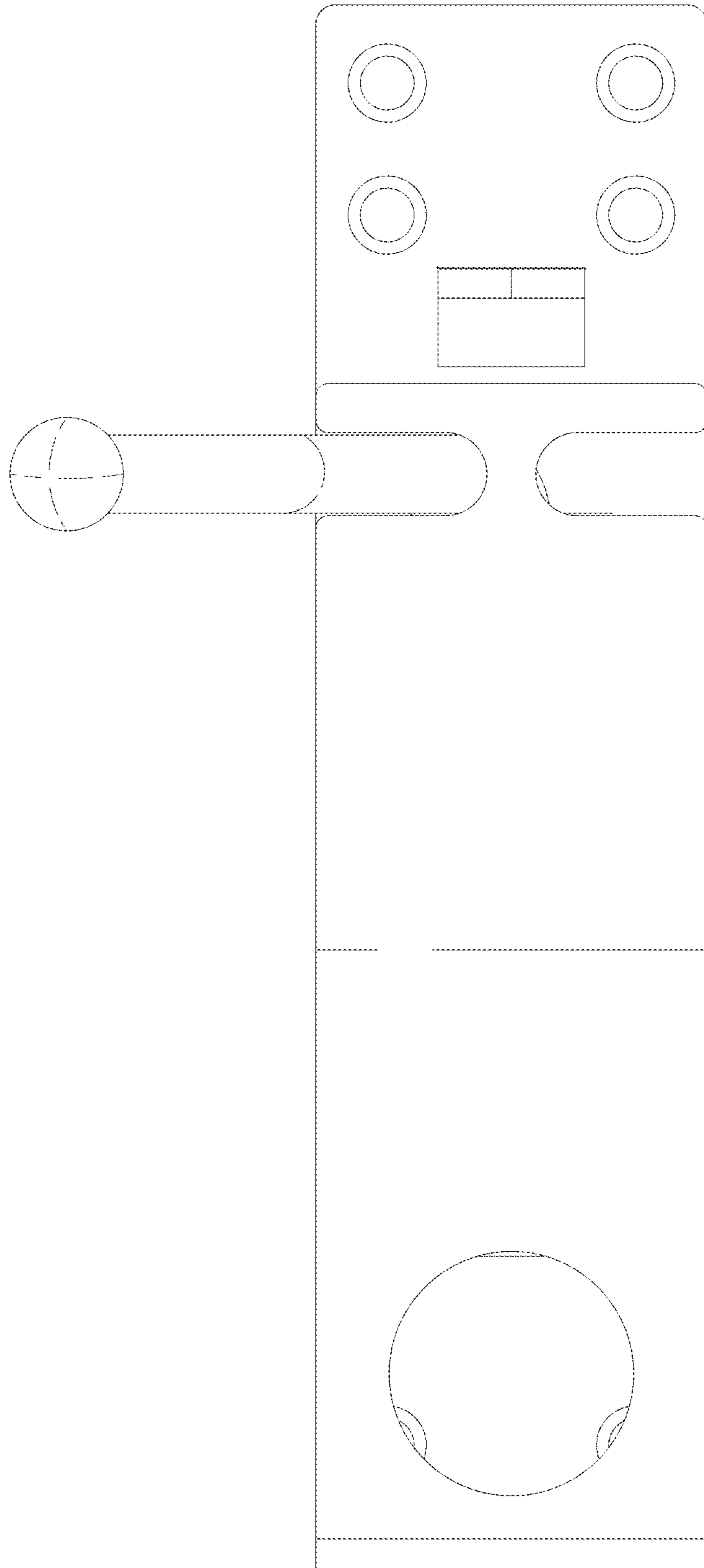


FIG.2

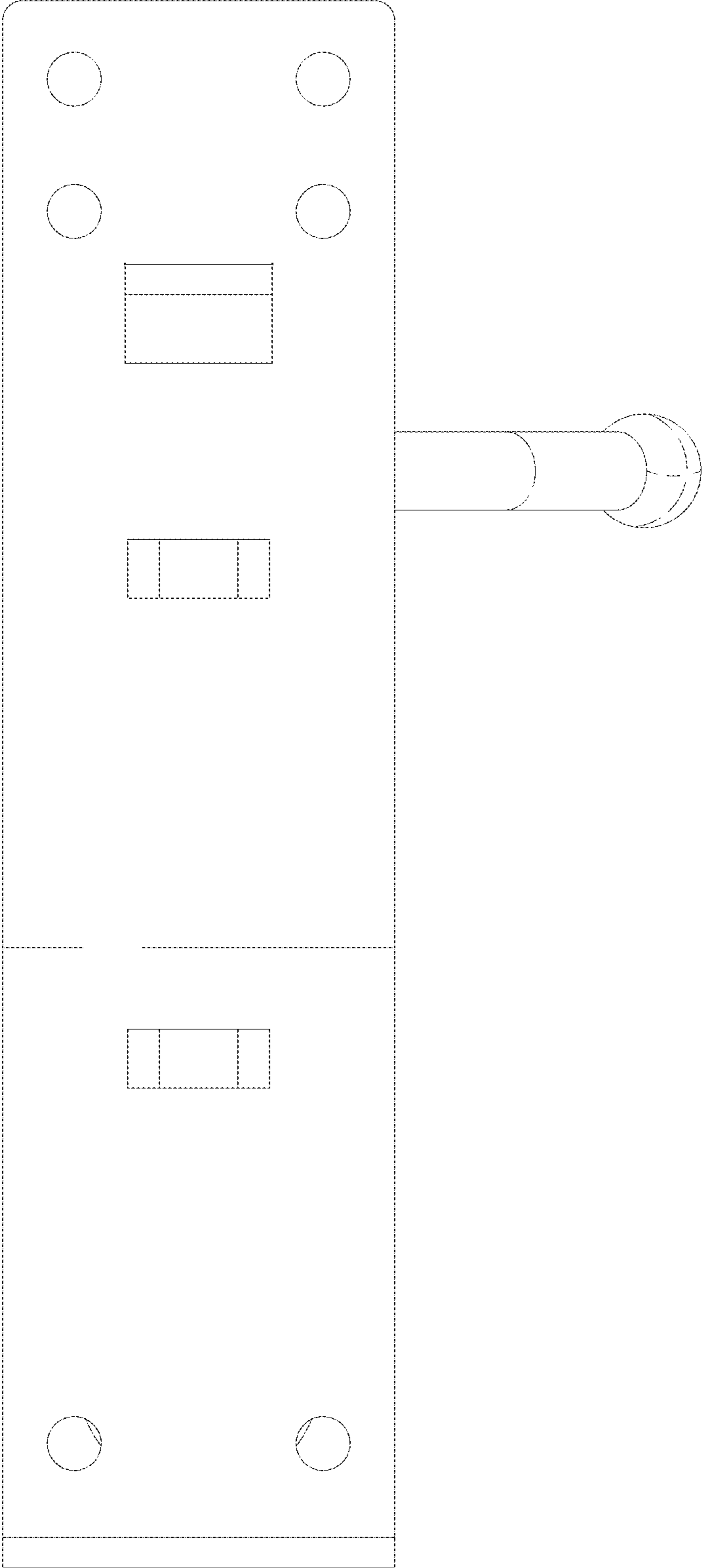


FIG.3

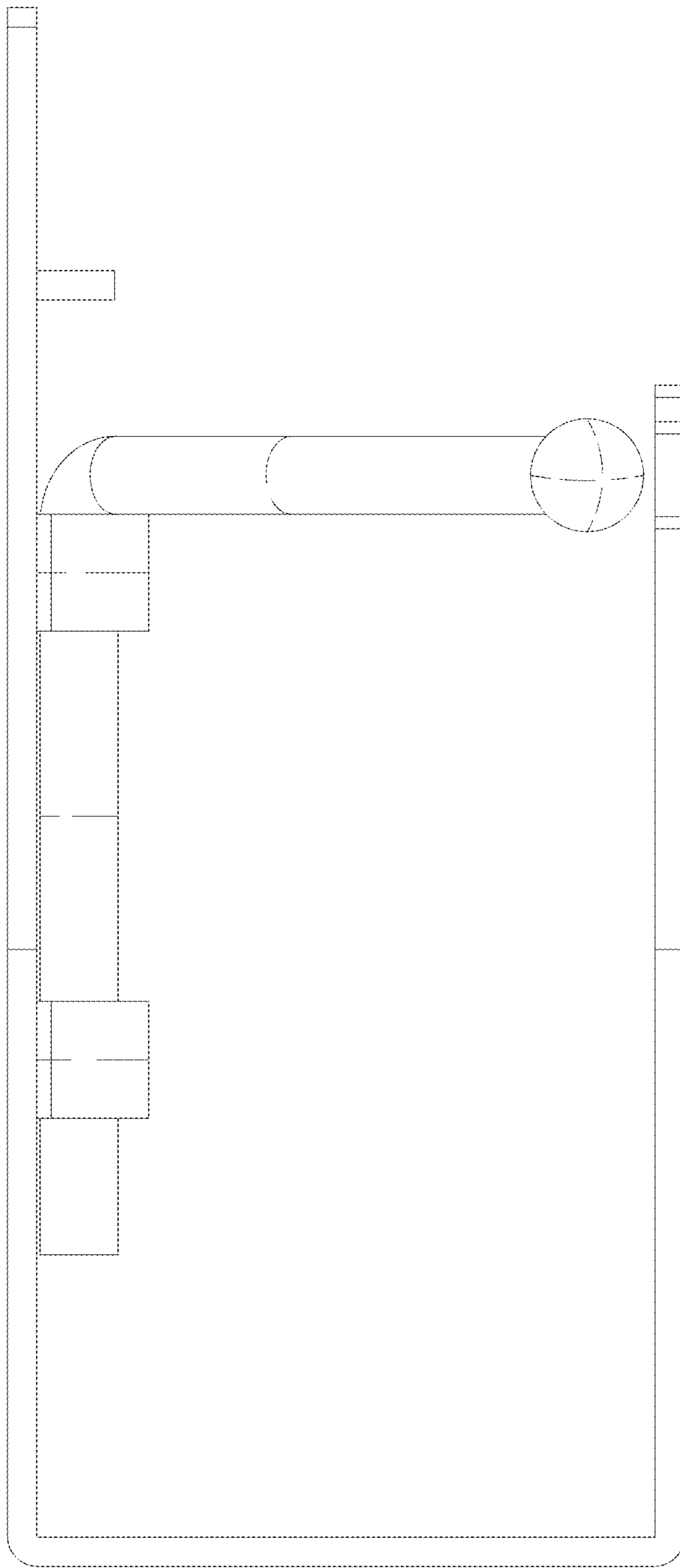


FIG.4

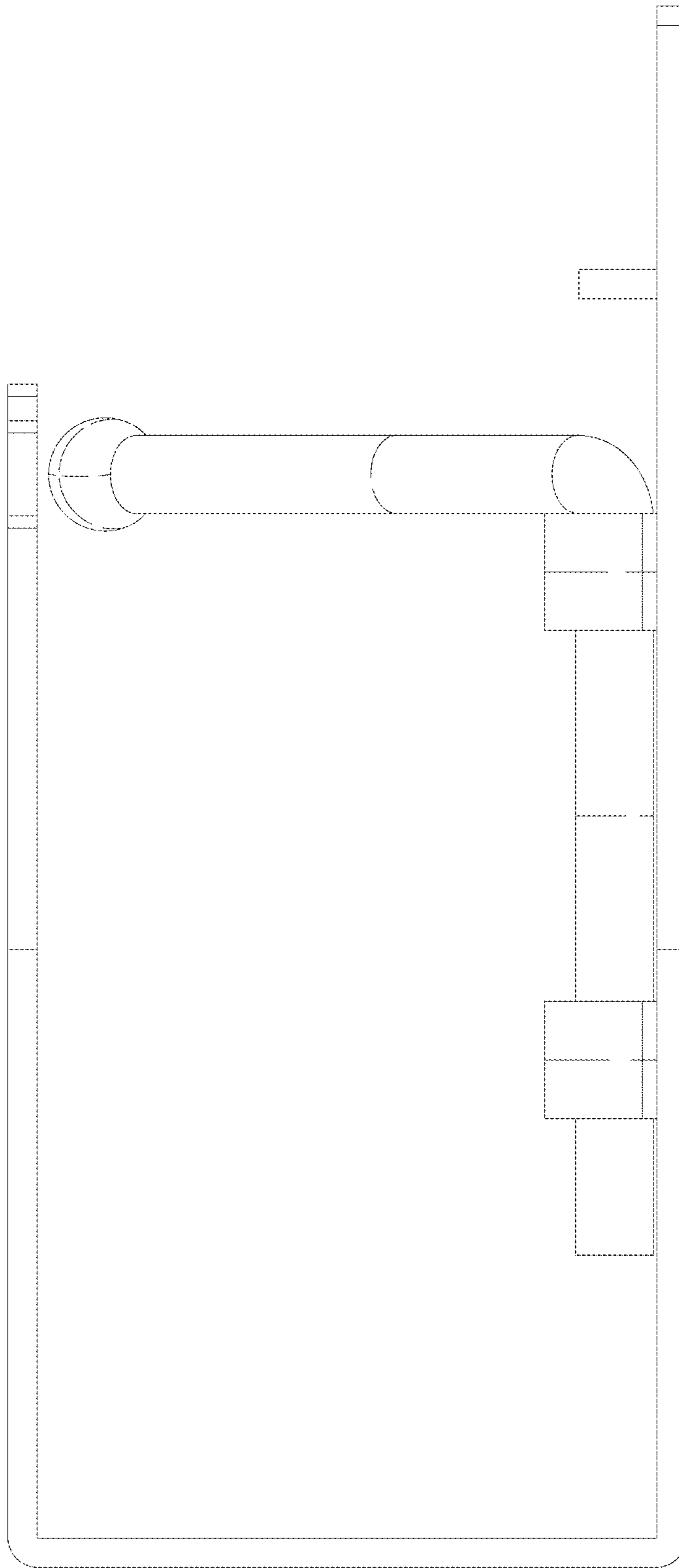


FIG.5

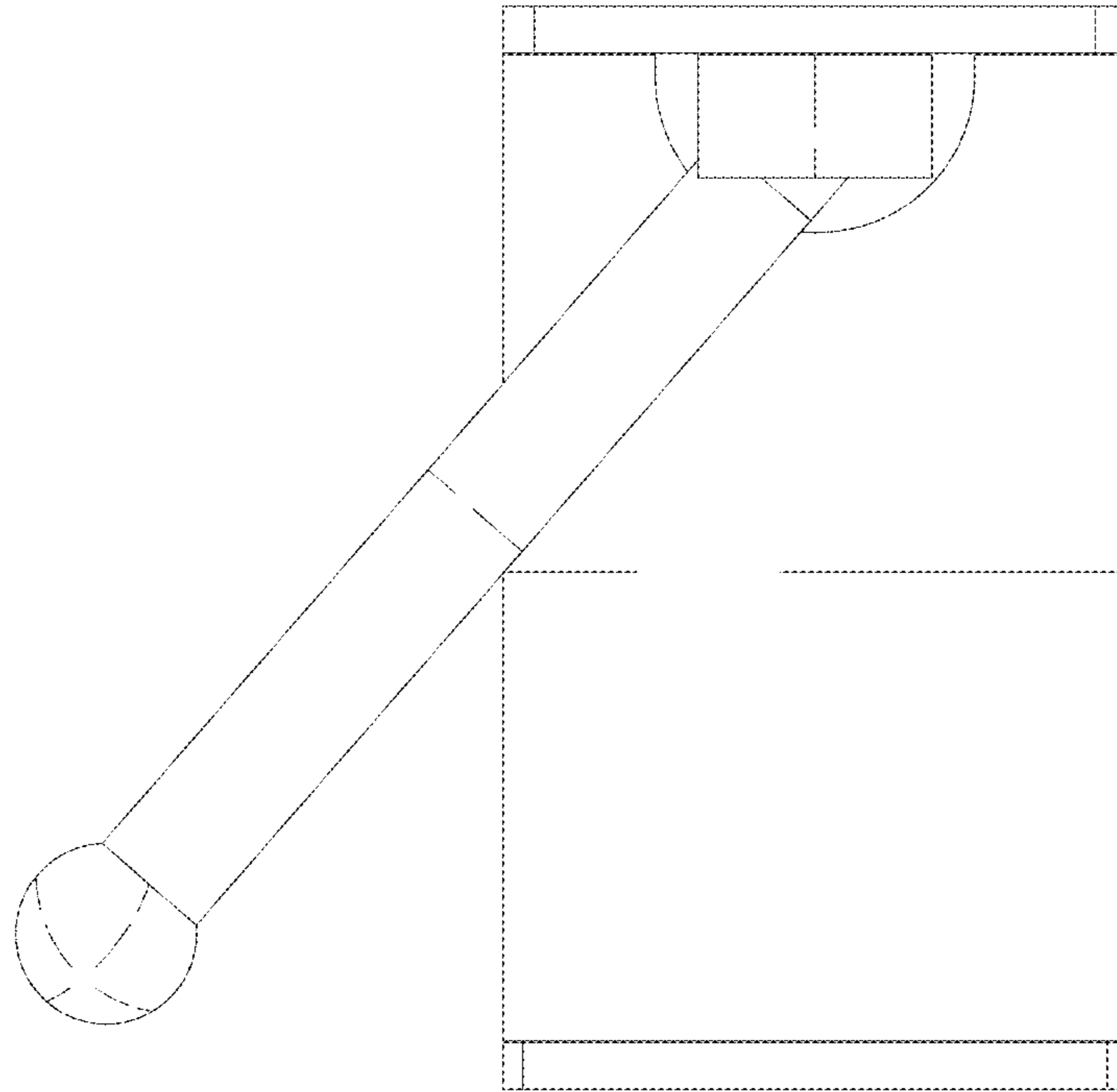


FIG.6

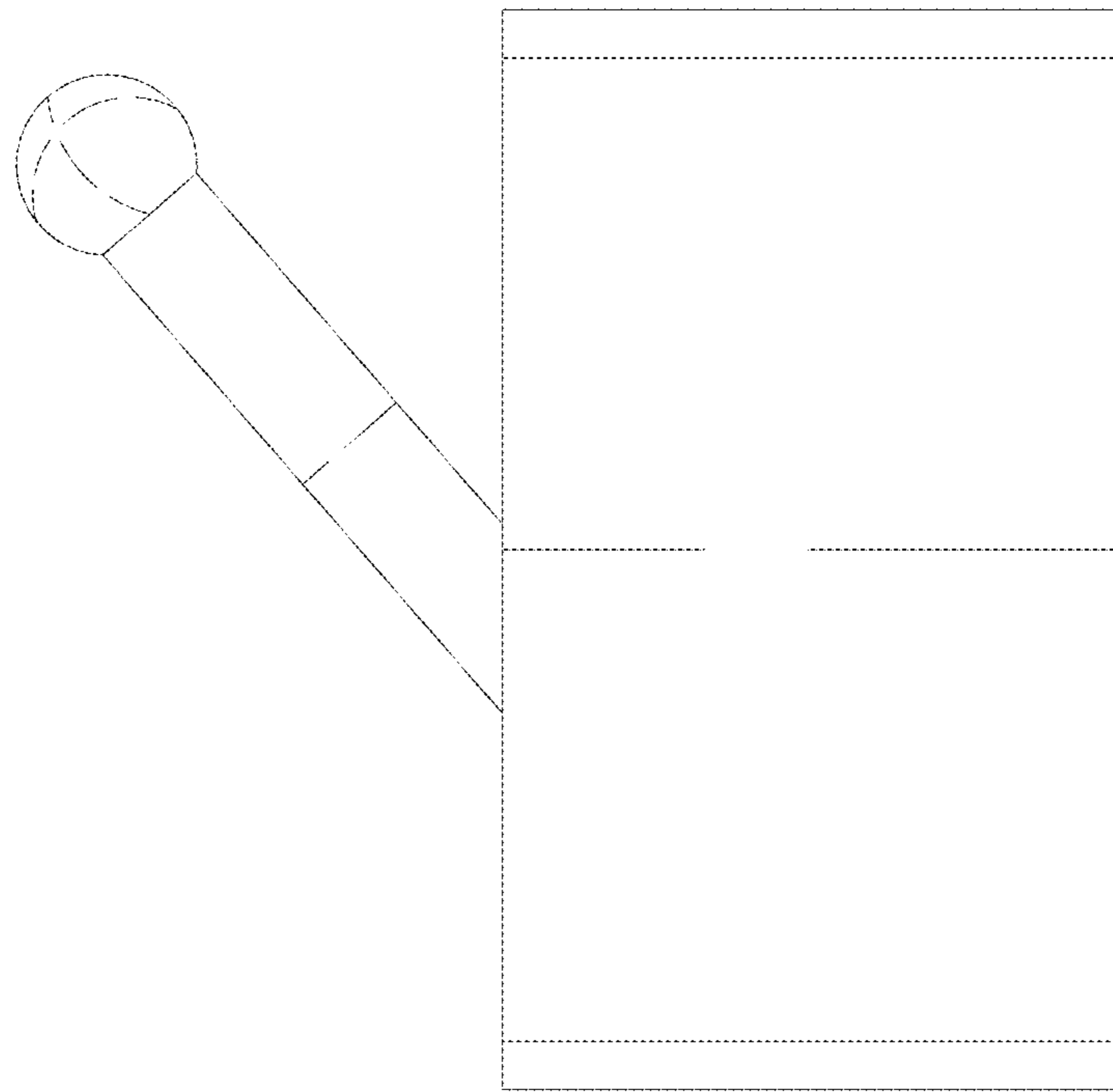


FIG.7



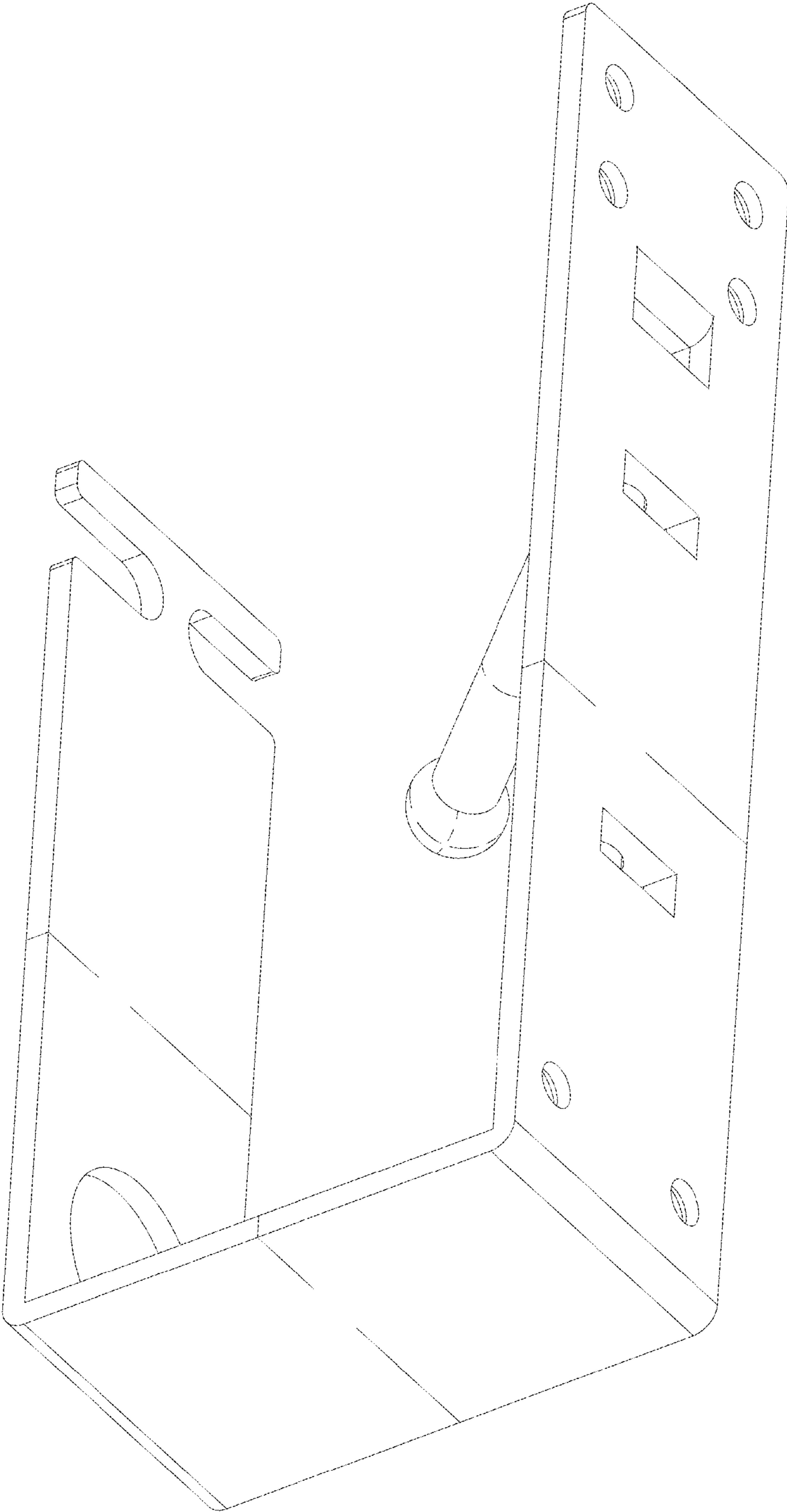


FIG.8