



US0D1047642S

(12) **United States Design Patent** (10) **Patent No.:** **US D1,047,642 S**
Hansen (45) **Date of Patent:** **** Oct. 22, 2024**

(54) **ADAPTER PLATE FOR SELF-RELEASING CLAMPING TOOL**

(71) Applicant: **Allan Hjorth Hansen**, Las Vegas, NV (US)

(72) Inventor: **Allan Hjorth Hansen**, Las Vegas, NV (US)

(**) Term: **15 Years**

(21) Appl. No.: **29/872,295**

(22) Filed: **Mar. 9, 2023**

D536,071 S *	1/2007	Wortmann	D23/269
D556,866 S *	12/2007	Darce	D23/269
D557,387 S *	12/2007	Darce	D23/269
D681,176 S *	4/2013	Chacko	D23/269
D715,412 S *	10/2014	Sgherri	D23/262
D730,498 S *	5/2015	Gonzalez	D23/269
D764,709 S *	8/2016	Filho	D8/396
D787,026 S *	5/2017	Filer	D23/262
D795,685 S *	8/2017	Rodenhouse	D8/399
D844,424 S *	4/2019	MacDonald	D8/399
D888,206 S *	6/2020	Pytlewski	D23/269
10,900,856 B2	1/2021	Hansen		
D937,991 S *	12/2021	Webb	D23/262
D939,694 S *	12/2021	Hokans	D23/269
D981,837 S *	3/2023	Deng	D8/399
2004/0003646 A1	1/2004	Herbold		
2010/0101736 A1*	4/2010	Warkotsch	G01M 1/045 157/21

Related U.S. Application Data

(63) Continuation-in-part of application No. 17/971,468, filed on Oct. 21, 2022, which is a continuation-in-part of application No. 16/785,505, filed on Feb. 7, 2020, now Pat. No. 11,479,059.

(51) **LOC (14) Cl.** **08-05**

(52) **U.S. Cl.**
USPC **D8/72**

(58) **Field of Classification Search**
USPC D8/71-74, 394-399, 59; D23/269, 262, D23/266, 386, 393
CPC G01M 1/045; B25B 1/00; B25B 5/00
See application file for complete search history.

(56) **References Cited**

U.S. PATENT DOCUMENTS

3,143,327 A	8/1964	John		
4,462,253 A *	7/1984	Becher	G01M 1/045 73/487
4,885,962 A	12/1989	Summers		
D316,368 S *	4/1991	Kirby	D8/395
D390,100 S *	2/1998	Thatcher	D8/394
D471,795 S *	3/2003	Ellenberger	D8/399
D534,253 S *	12/2006	Sandman	D23/269

(Continued)

FOREIGN PATENT DOCUMENTS

GB	170283 A	7/1922
GB	2513905 A	11/2014

Primary Examiner — David G Muller

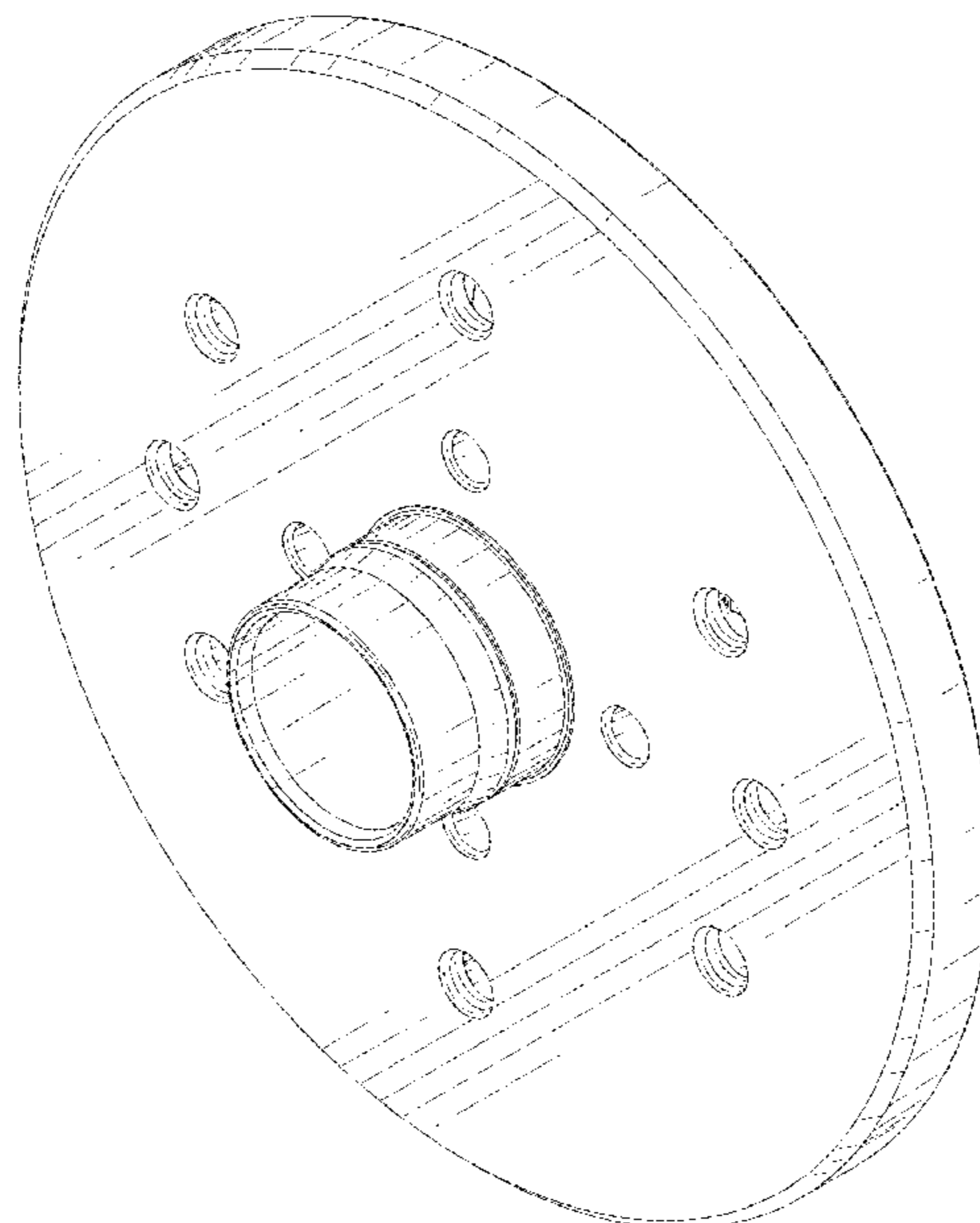
(57) **CLAIM**

The ornamental design for an adaptor plate for self-releasing clamping tool, as shown and described.

DESCRIPTION

FIG. 1 is a top-front-left perspective view of an adaptor plate for self-releasing clamping tool showing my new design; FIG. 2 is a bottom-rear-right perspective view thereof; FIG. 3 is a left elevational view thereof; FIG. 4 is a right elevational view thereof; FIG. 5 is a top plan view thereof; FIG. 6 is a bottom plan view thereof; FIG. 7 is a front elevational view thereof; and, FIG. 8 is a rear elevational view thereof.

1 Claim, 8 Drawing Sheets



(56)

References Cited

U.S. PATENT DOCUMENTS

2010/0170340 A1* 7/2010 Warkotsch G01M 1/045
73/487

2015/0069824 A1 3/2015 Matsler

* cited by examiner

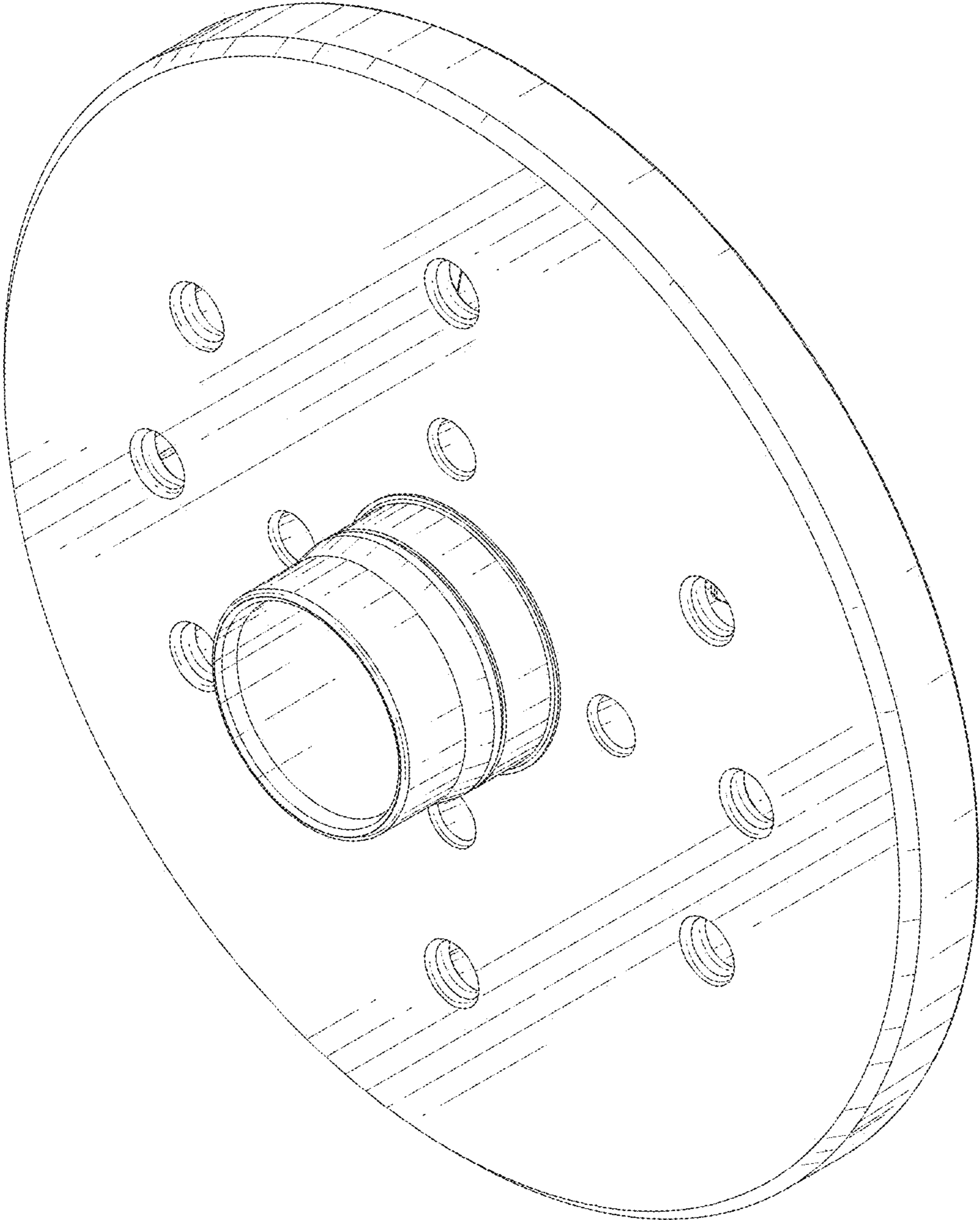


FIG. 1

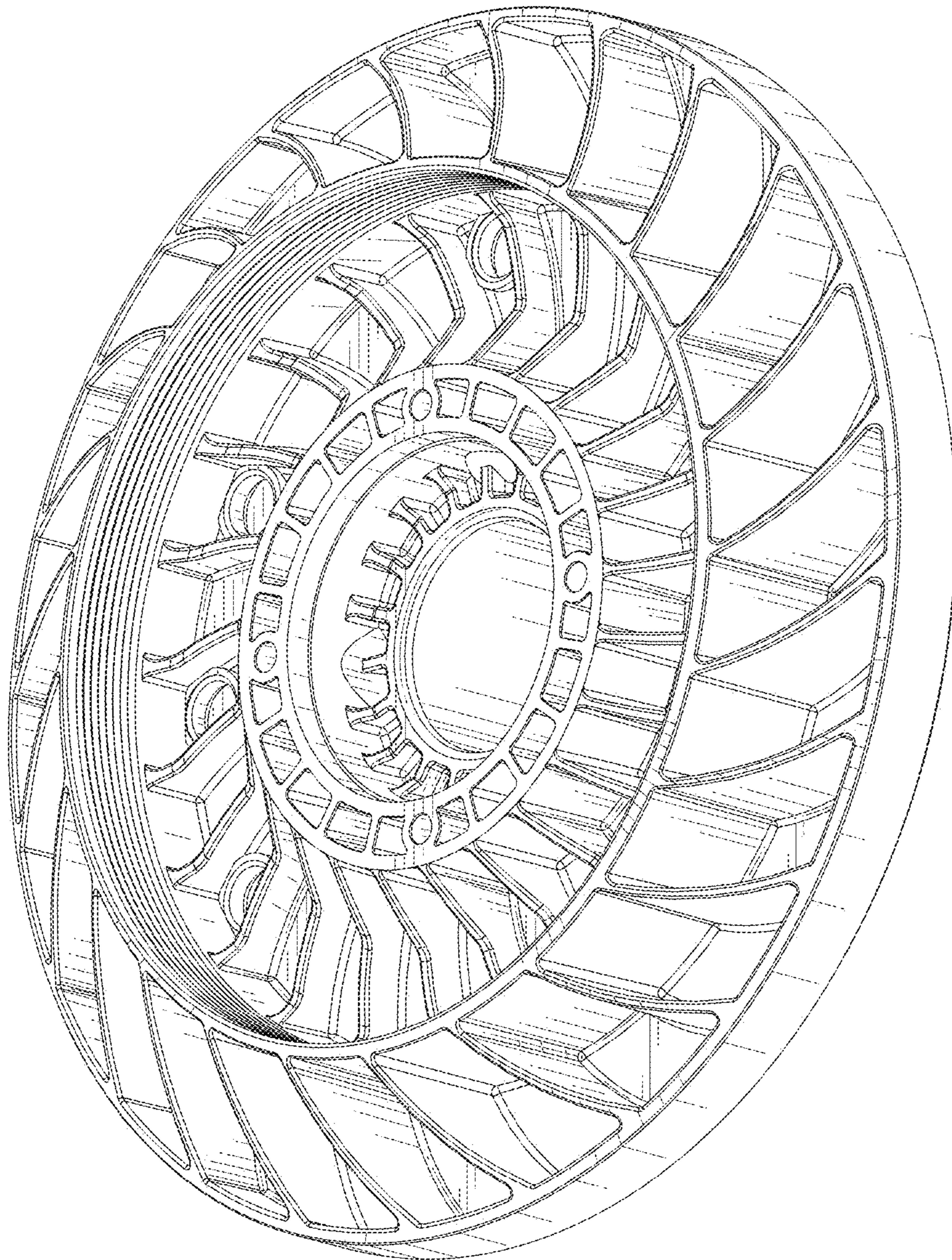


FIG. 2

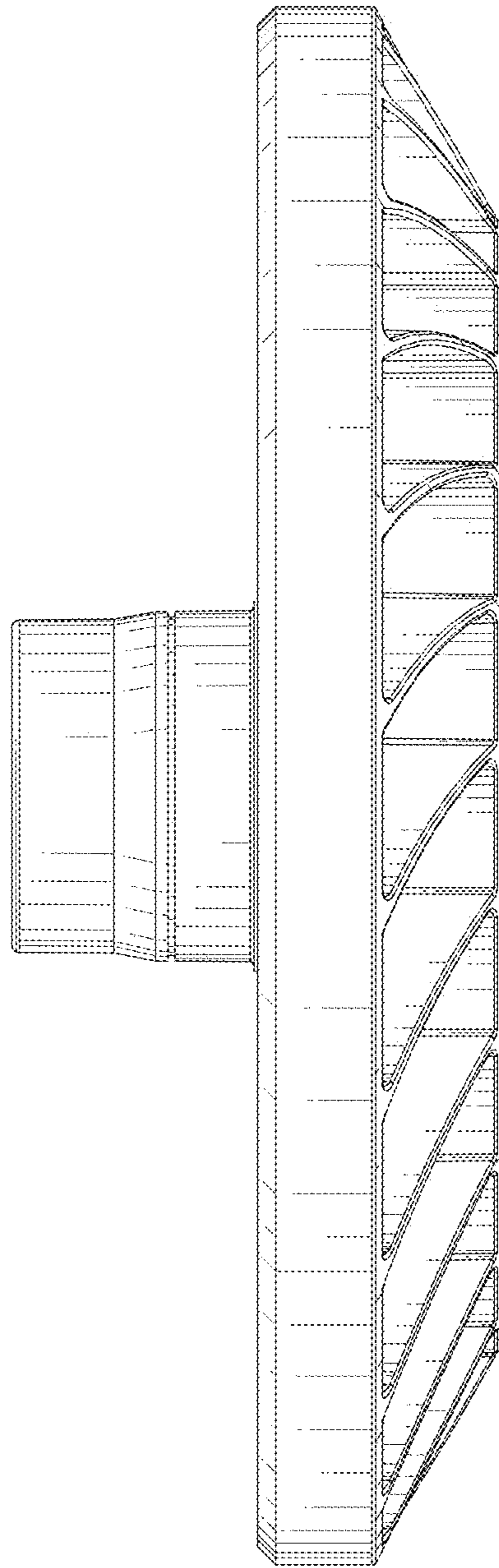


FIG. 3

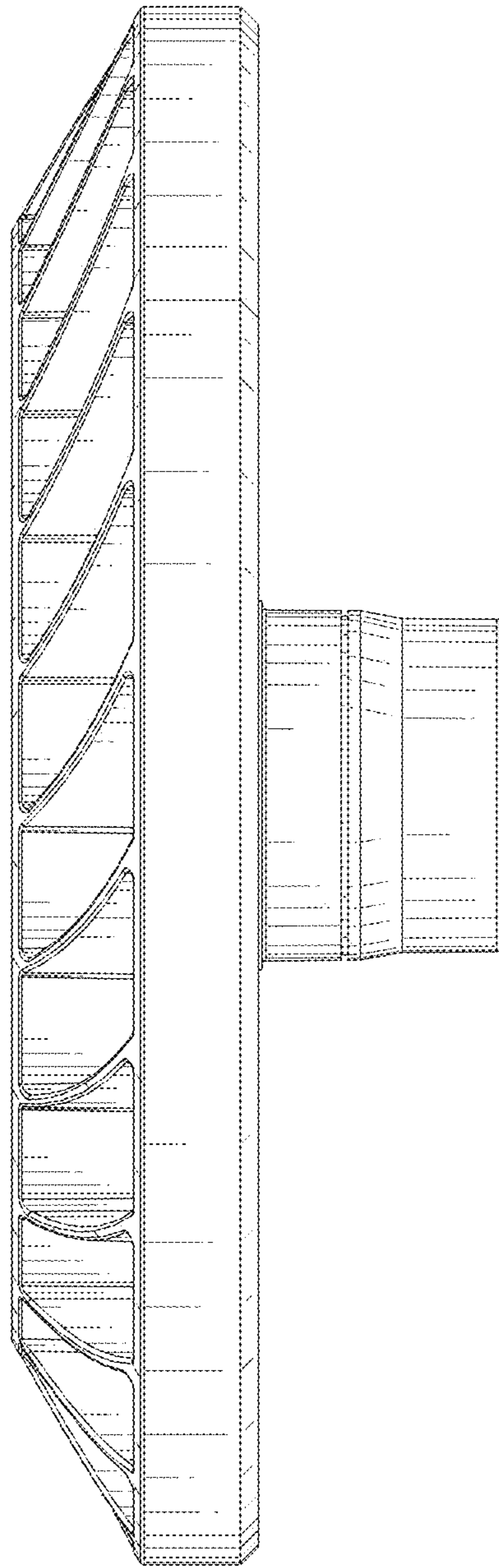


FIG. 4

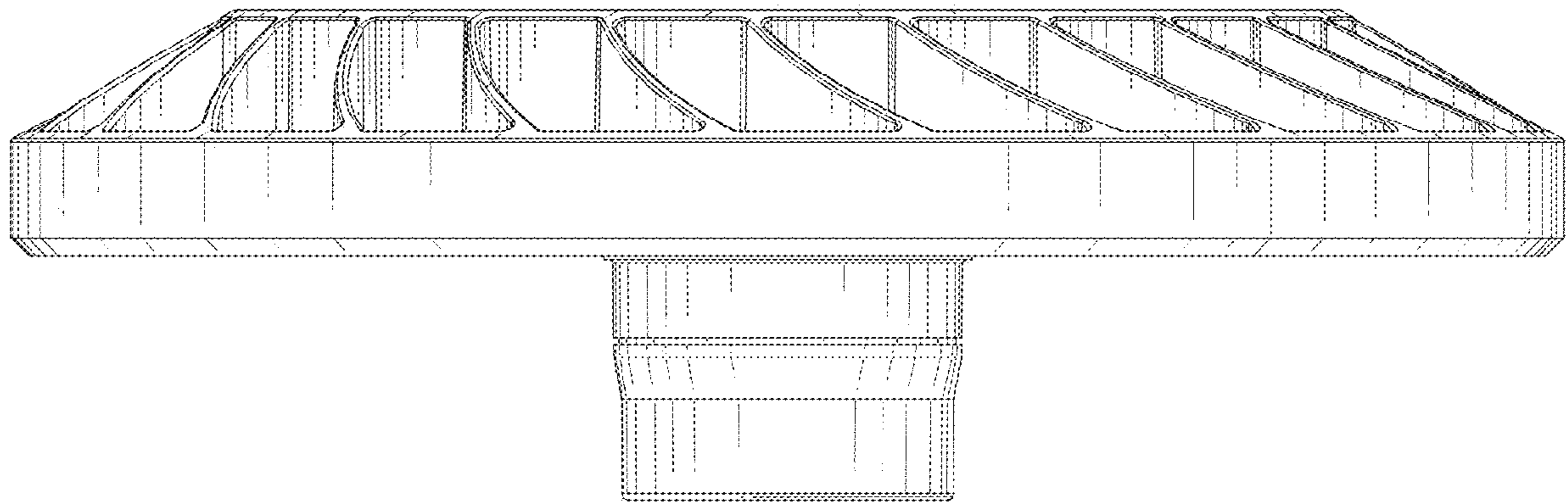


FIG. 5

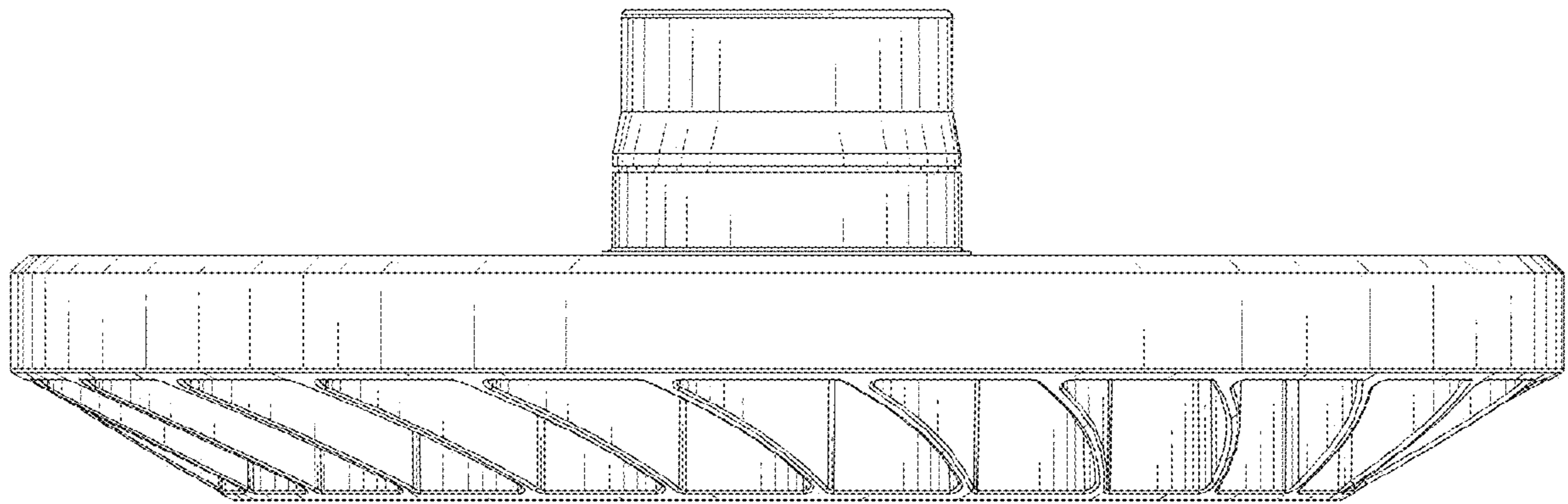


FIG. 6

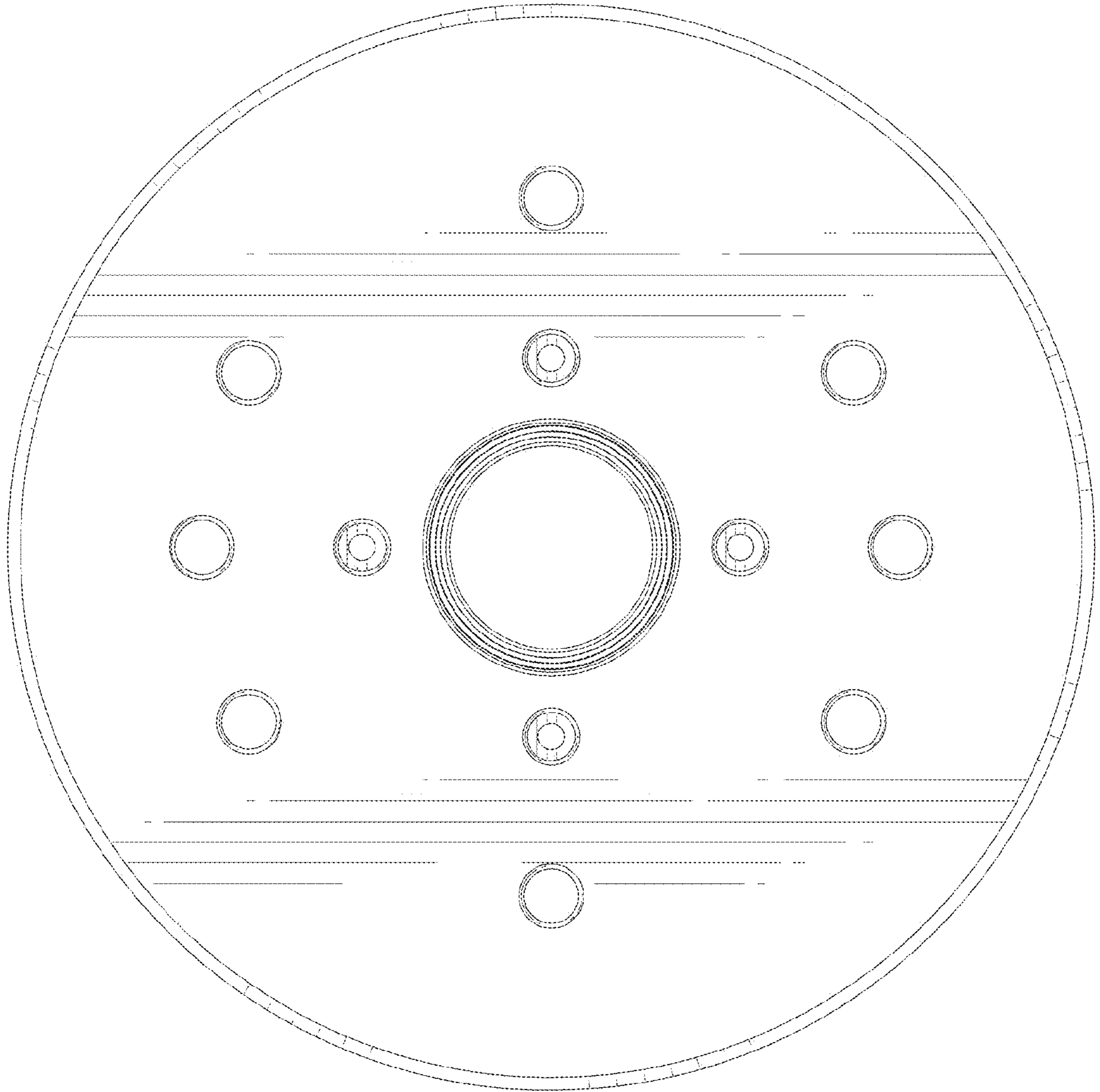


FIG. 7

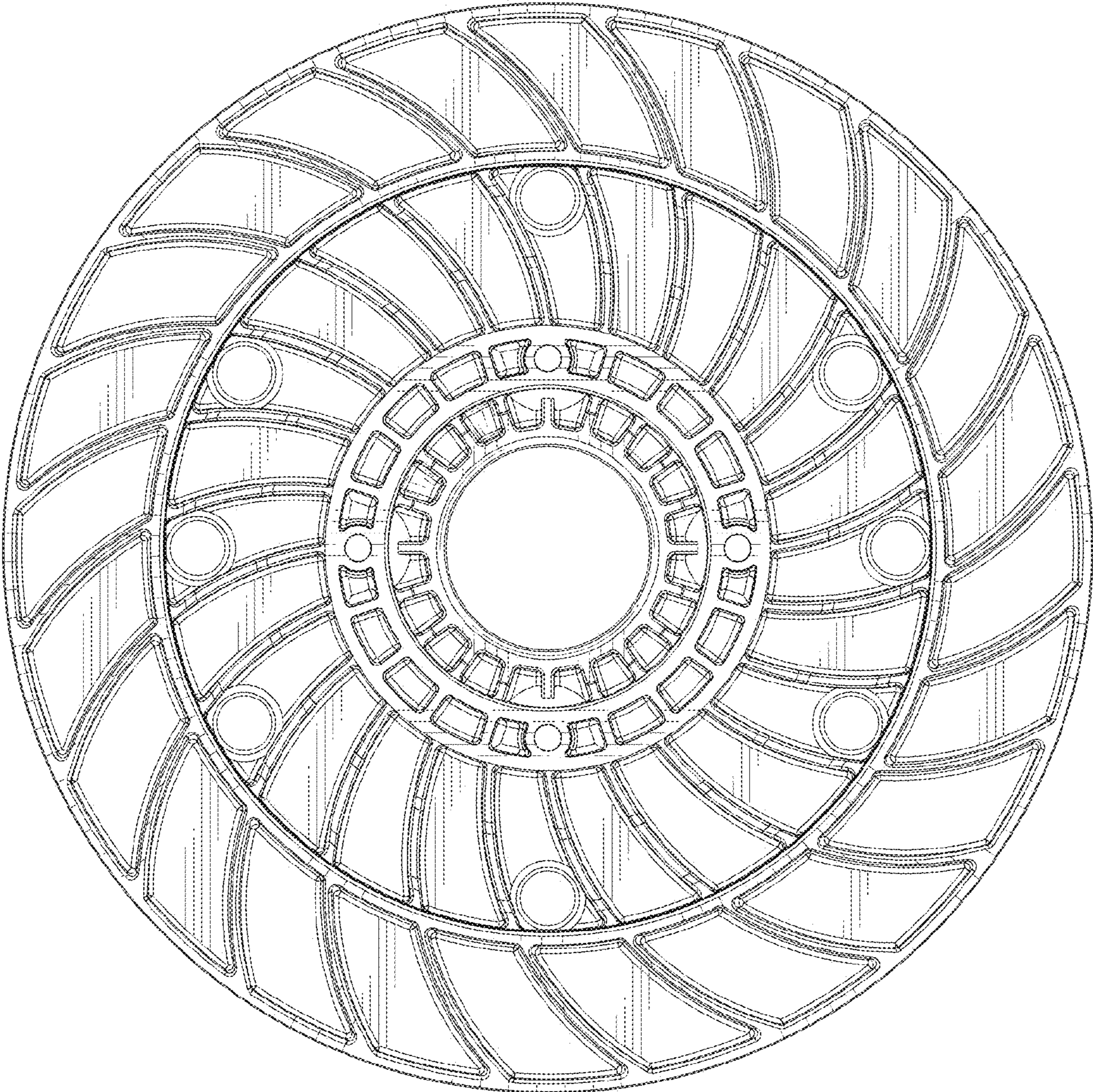


FIG. 8