



US0D1047584S

(12) **United States Design Patent** (10) **Patent No.:** **US D1,047,584 S**
Schilperoort et al. (45) **Date of Patent:** **** Oct. 22, 2024**

(54) **COOKWARE HANDLE**

FOREIGN PATENT DOCUMENTS

(71) Applicant: **Sea to Summit Pty Ltd**, Rivervale (AU)

AU 2019226258 B2 5/2020
CN 203000530 U 6/2013

(Continued)

(72) Inventors: **Thomas M. Schilperoort**, Perth (AU);
Daniel C. Booker, Melbourne (AU);
David R. Chapman, Melbourne (AU)

OTHER PUBLICATIONS

(73) Assignee: **Sea to Summit Pty Ltd**, Rivervale (AU)

Sea to Summit Detour Stainless Steel Collapsible Pouring Pot, first available Mar. 1, 2024, Amazon, [online], [site visited Apr. 30, 2024], Available from internet URL: <https://www.amazon.com/Sea-Summit-Stainless-Collapsible-Pouring/dp/B0CWVT2ZDL> (Year: 2024).*

(**) Term: **15 Years**

(Continued)

(21) Appl. No.: **29/874,125**

(22) Filed: **Apr. 14, 2023**

Primary Examiner — Catherine Ho

(51) **LOC (14) Cl.** **07-02**

Assistant Examiner — Natalya M Rapundalo

(52) **U.S. Cl.**
USPC **D7/395**

(74) *Attorney, Agent, or Firm* — Kolitch Romano

Dascenzo Gates LLC

(58) **Field of Classification Search**
USPC D7/354, 359–361, 387, 393–395, 396.1,
D7/402; D8/300, 307

CPC A47J 36/00; A47J 36/02; A47J 36/025;
A47J 36/04; A47J 36/06; A47J 37/01;
A47J 37/10; A47J 37/101; A47J 45/06;
A47J 45/061; A47J 45/062; A47J 45/067;
A47J 45/07; A47J 45/071; A47J 45/072;
A47J 45/078; A47J 45/08

See application file for complete search history.

(57) **CLAIM**

The ornamental design for a cookware handle, as shown and described.

DESCRIPTION

FIG. 1 is a top isometric view of a cookware handle showing the design.

FIG. 2 is a bottom isometric view thereof;

FIG. 3 is a front elevation view thereof;

FIG. 4 is a rear elevation view thereof;

FIG. 5 is a right side elevation view thereof;

FIG. 6 is a left side elevation view thereof;

FIG. 7 is a top plan view thereof; and,

FIG. 8 is a bottom plan view thereof.

The dashed lines shown in the drawings illustrate portions of the cookware handle that form no part of the claimed design.

The dash-dot line indicates a boundary of the claimed design and forms no part of the claimed design.

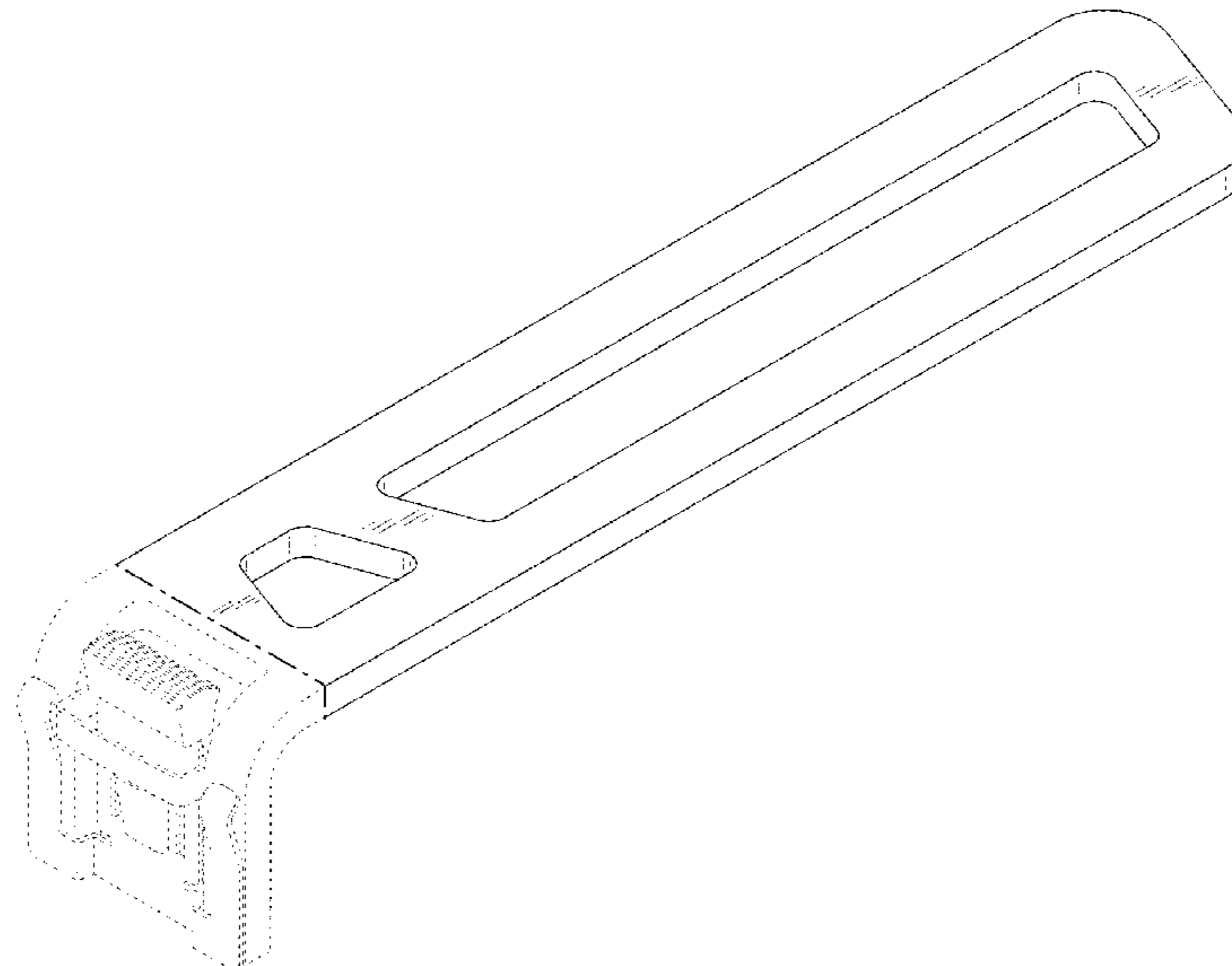
(56) **References Cited**

U.S. PATENT DOCUMENTS

| | | |
|-------------|---------|-----------|
| 66,173 A | 6/1867 | Robinson |
| 403,565 A | 5/1889 | Uhlinger |
| 823,415 A | 6/1906 | Krampitz |
| 1,142,198 A | 6/1915 | Niec |
| 1,355,332 A | 10/1920 | Hanson |
| 1,490,568 A | 5/1922 | Koenig |
| 1,666,012 A | 4/1928 | Humphrey |
| 1,765,072 A | 6/1930 | Hashimoto |

(Continued)

1 Claim, 5 Drawing Sheets



(56)

References Cited

U.S. PATENT DOCUMENTS

2,168,730 A 8/1939 Cicchiello
 2,220,879 A 11/1940 Hayden et al.
 2,373,917 A 4/1945 Ross
 2,384,718 A 9/1945 Witherspoon
 2,444,447 A 7/1948 Josselyn
 2,460,840 A 2/1949 Mockabee
 2,577,676 A 12/1951 Chance
 3,082,906 A 3/1963 Reed
 3,232,657 A 2/1966 Thompson et al.
 3,272,547 A 9/1966 Pryce
 3,273,747 A 9/1966 Kalz
 3,306,647 A 2/1967 Imhoff
 3,334,782 A 8/1967 Friberg
 3,420,401 A 1/1969 Maslow
 3,422,485 A 1/1969 Pryce
 3,610,461 A 10/1971 Allyn
 3,685,092 A 8/1972 Cook
 3,812,997 A 5/1974 McNally
 3,981,044 A 9/1976 Luebek et al.
 4,083,081 A 4/1978 Witte
 D275,643 S 9/1984 Petterson
 4,505,390 A 3/1985 Kirk, Jr.
 4,577,367 A 3/1986 Durand
 4,593,833 A 6/1986 Hill
 D284,540 S * 7/1986 Baumgarten D7/393
 4,724,576 A 2/1988 Tatematsu
 5,056,424 A 10/1991 Lai
 5,166,485 A 11/1992 Arai et al.
 5,213,028 A 5/1993 Chang
 D344,433 S * 2/1994 Philippe D7/393
 D394,186 S * 5/1998 Dodane D7/395
 5,823,385 A 10/1998 Cautereels
 5,887,751 A 3/1999 Kroscher
 5,904,269 A 5/1999 Wolff
 6,000,100 A 12/1999 Montgelard
 6,079,590 A 6/2000 Munari
 6,116,452 A 9/2000 Hamel et al.
 6,173,860 B1 1/2001 Lamers
 6,220,477 B1 4/2001 Schneider
 6,260,733 B1 7/2001 Eimerman
 6,318,776 B1 11/2001 Lee
 6,334,386 B1 1/2002 Iacchetti
 6,685,048 B1 2/2004 Ranzoni et al.
 7,478,735 B2 1/2009 Lorthioir et al.
 D602,307 S * 10/2009 Fort D7/395
 7,762,182 B2 7/2010 Garziera
 7,975,874 B2 7/2011 Scott et al.
 8,011,530 B2 9/2011 Kutsch et al.
 D658,433 S * 5/2012 Zemel D7/393
 D662,761 S 7/2012 Wahl
 8,235,245 B2 8/2012 Lorthioir
 8,668,111 B2 3/2014 Orr
 8,899,145 B2 12/2014 Harrison et al.
 D720,572 S * 1/2015 Dodane D7/395
 8,950,621 B2 2/2015 Hinzman
 D730,114 S * 5/2015 Barberi D7/395
 D731,852 S * 6/2015 Pallotto D7/395
 9,179,795 B1 11/2015 Lee et al.
 D751,334 S 3/2016 Pan
 D752,913 S 4/2016 Taylor
 9,415,901 B2 8/2016 Beckman et al.
 9,492,034 B2 11/2016 Pan
 9,560,938 B2 2/2017 Dudda et al.
 D788,518 S 6/2017 Aggarwal
 D831,416 S * 10/2018 Tosdale D7/393
 11,344,161 B2 5/2022 Singh

D969,544 S * 11/2022 Munari D7/395
 D1,021,514 S * 4/2024 Zhang D7/354
 2008/0006645 A1 1/2008 Sup
 2009/0183565 A1 7/2009 Shamoan et al.
 2011/0247504 A1 10/2011 Zangrande et al.
 2012/0168455 A1 7/2012 Doyle
 2014/0239654 A1 8/2014 Cuillery
 2015/0053696 A1 2/2015 Borovicka et al.
 2015/0183536 A1 7/2015 Miros et al.
 2016/0015202 A1 1/2016 Beckman et al.
 2016/0045053 A1 2/2016 Cheng
 2017/0280940 A1 10/2017 Quinn
 2018/0020865 A1 1/2018 Oh
 2018/0125292 A1 5/2018 Workman et al.
 2018/0296041 A1* 10/2018 Oh A47J 45/071
 2019/0174964 A1 6/2019 Lilljedahl et al.
 2021/0022560 A1 1/2021 Servaites et al.
 2022/0257061 A1 8/2022 Singh

FOREIGN PATENT DOCUMENTS

CN 203493507 U 3/2014
 CN 206473166 U 9/2017
 CN 208017404 U 10/2018
 CN 209966194 U 1/2020
 CN 214073009 U 10/2020
 CN 216932808 U 7/2022
 DE 2713725 A1 10/1978
 DE 202019103658 U1 10/2020
 EM 015018180-0006 * 4/2023
 EP 0247229 A1 2/1987
 GB 581555 A 10/1946
 JP 2008212632 A 9/2008
 JP 3149296 U 1/2009
 JP 2015097650 A 5/2015
 JP 5815009 B2 11/2015
 KR 20000020493 U 12/2000
 KR 20100135554 A 12/2010
 KR 20130006887 A 1/2013
 KR 102101776 B1 4/2020
 KR 20200126311 A 11/2020
 KR 20200134442 A 12/2020
 KR 102198643 B1 1/2021
 KR 102264350 B1 6/2021
 KR 102294097 B1 8/2021
 KR 102324067 B1 11/2021
 KR 102335599 B1 12/2021
 KR 102393089 B1 5/2022
 WO 2016068529 A2 5/2016
 WO 2020024013 A1 2/2020
 WO 2021117992 A1 6/2021
 WO 2022103046 A1 5/2022

OTHER PUBLICATIONS

Sea to Summit Frontier Ultralight Camping Cooking Pot, 1.3 Liter, first available Mar. 1, 2024, Amazon, [online], [site visited Apr. 30, 2024], Available from internet URL: <https://www.amazon.com/Sea-Summit-Frontier-Ultralight-Camping/dp/BOCWVSM9Z6> (Year: 2024).
 Detour Stainless Steel Pan, Sea to Summit, [online], [site visited May 3, 2024], Available from internet URL: <https://seatosummit.com/products/detour-stainless-steel-pan> (Year: 2024).
 BergHOFF Eurocast Detachable Pan Handles: www.berghoffgb.com/product/detachable-pan-handles, available since at least Sep. 13, 2021.

* cited by examiner

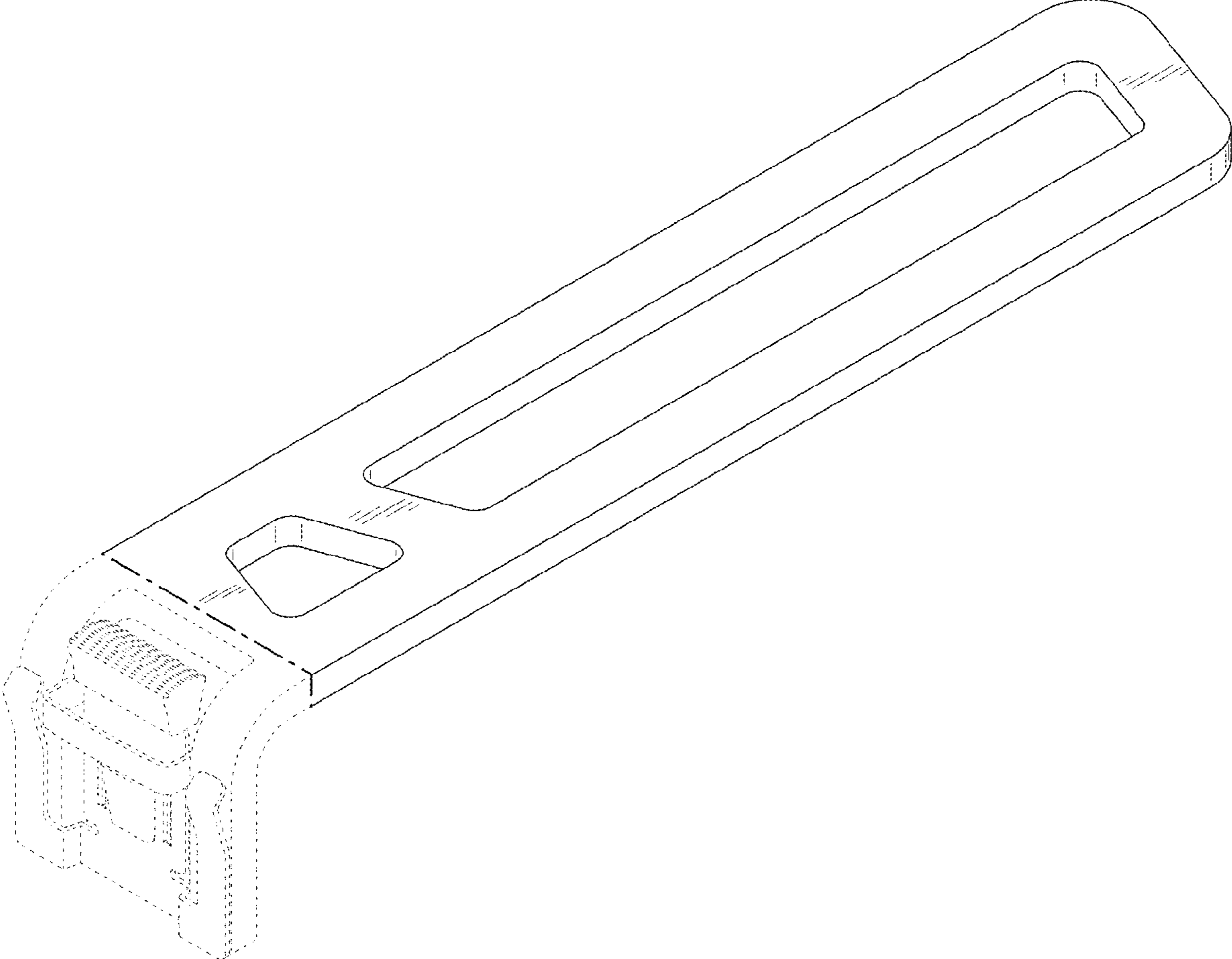


FIG. 1

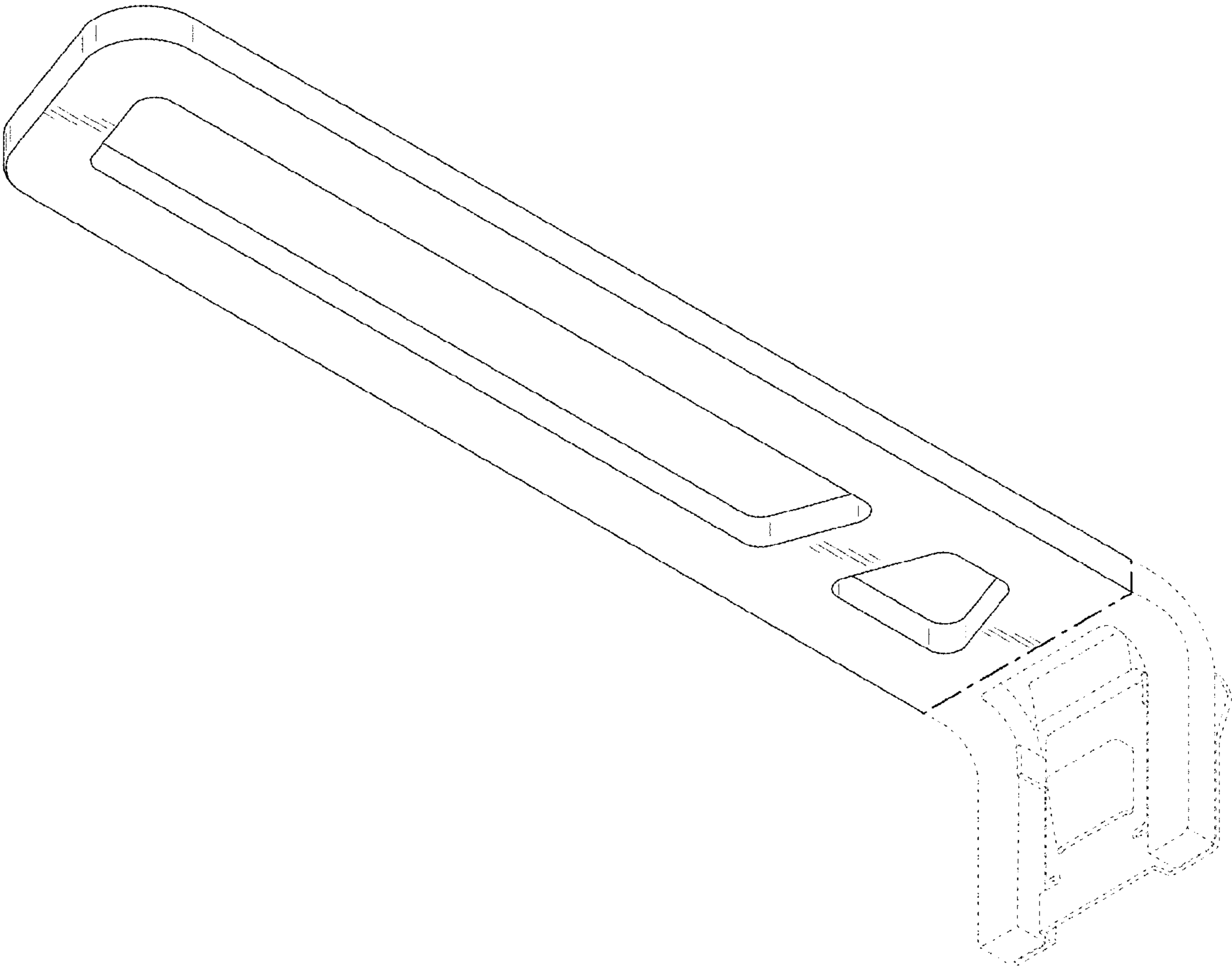


FIG. 2

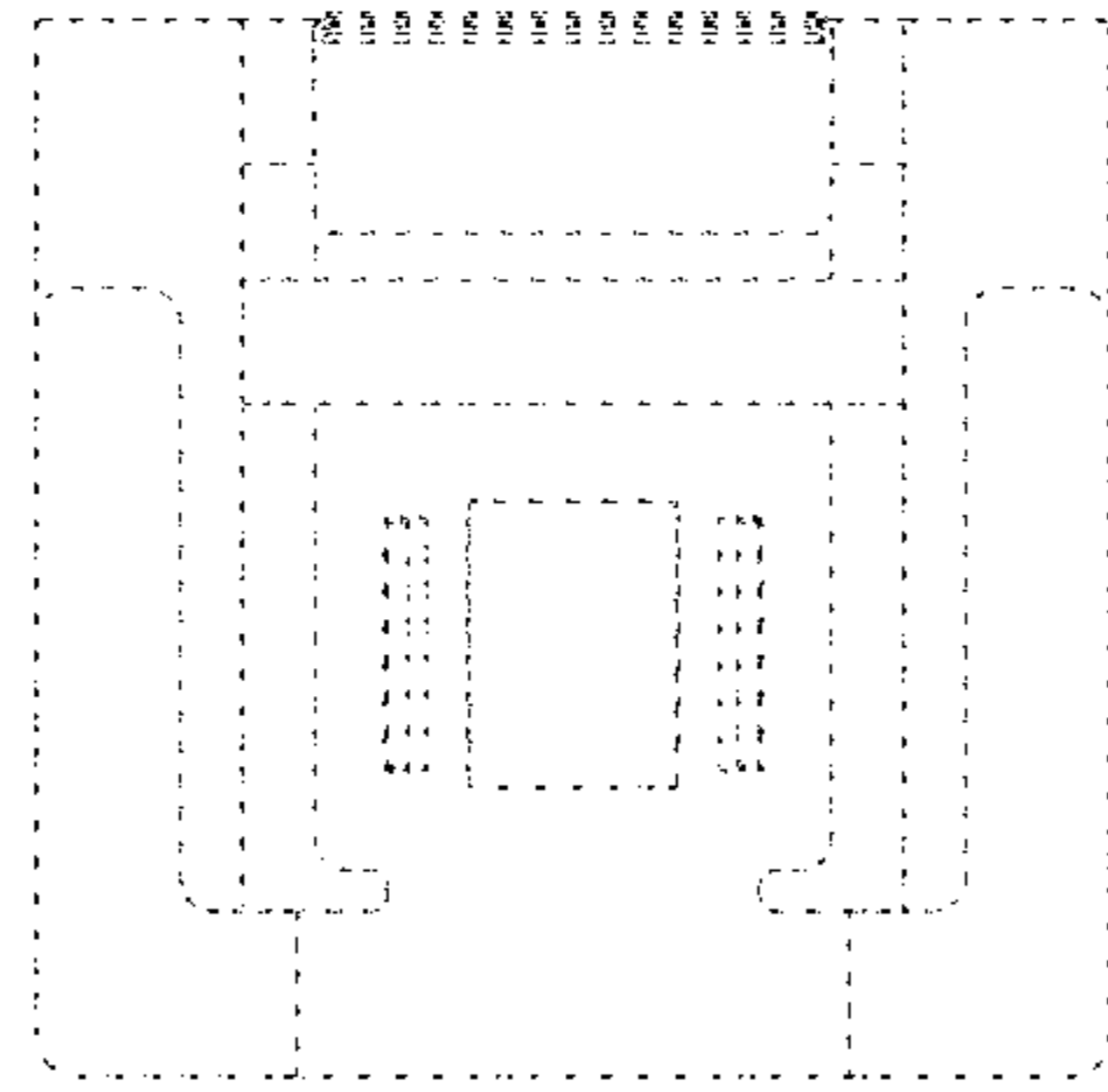


FIG. 3

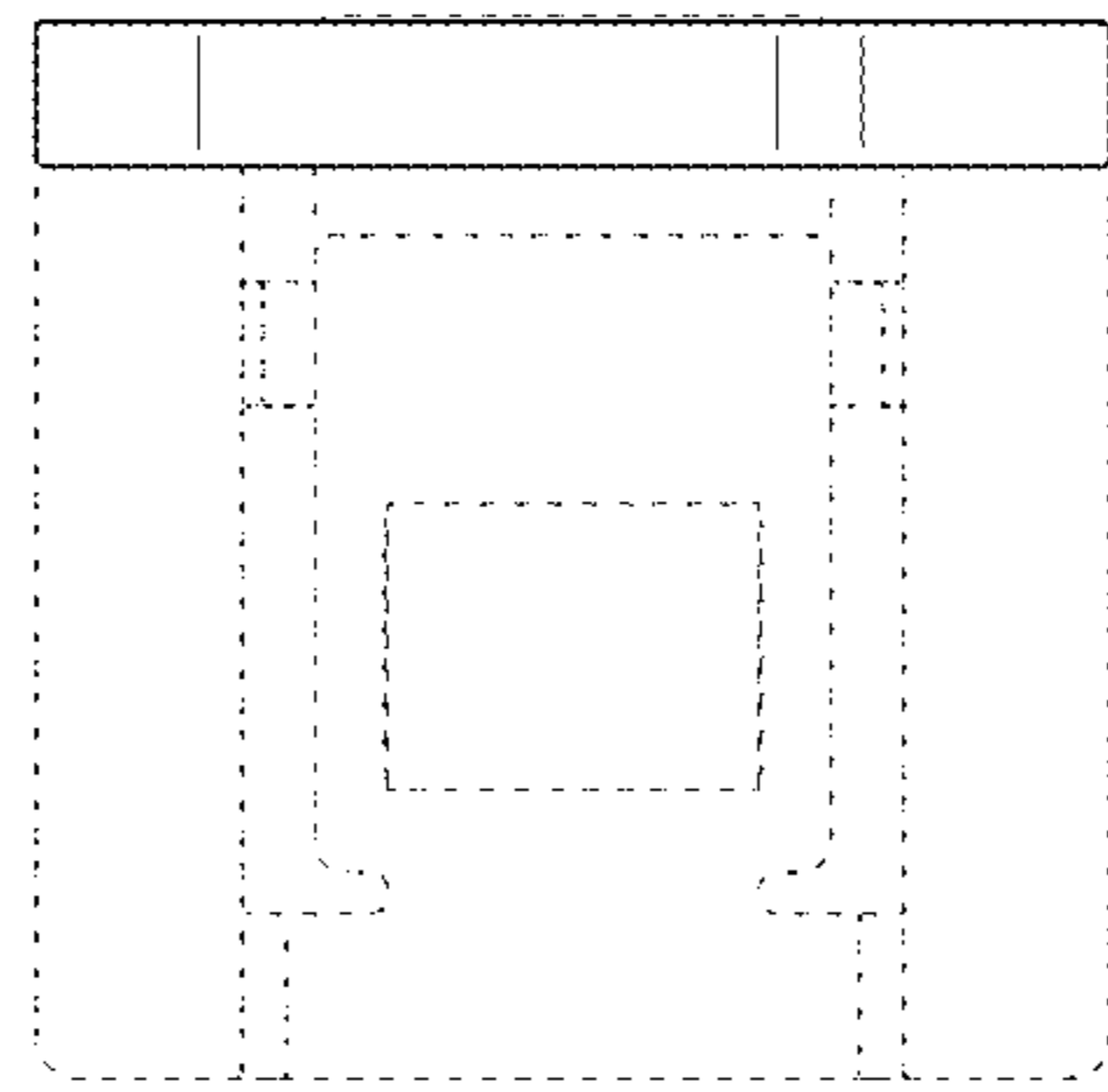


FIG. 4

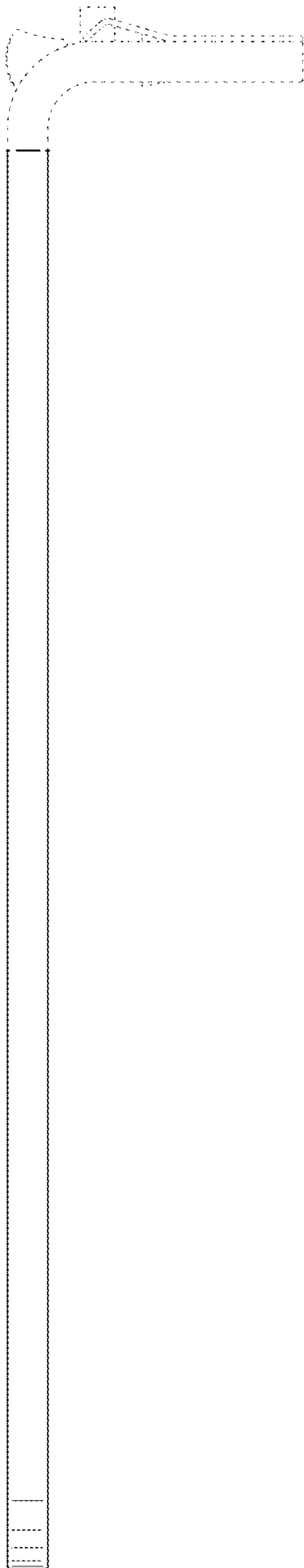


FIG. 5

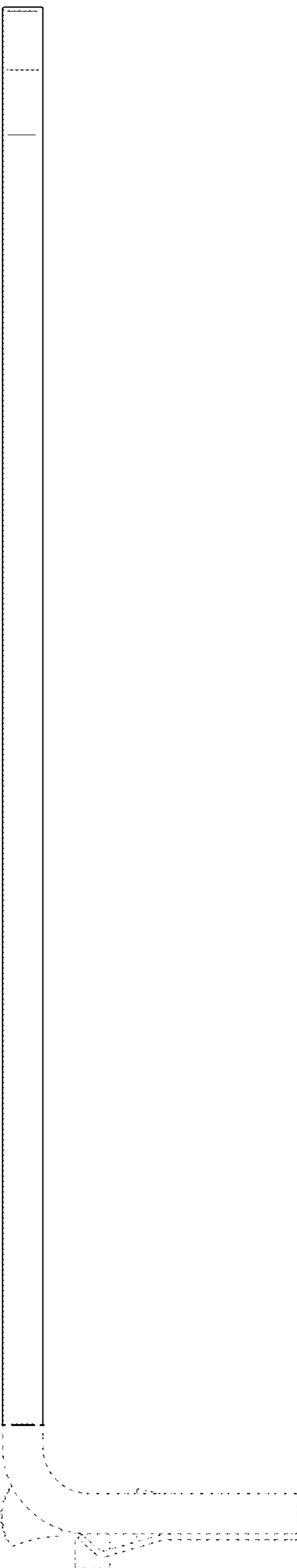


FIG. 6

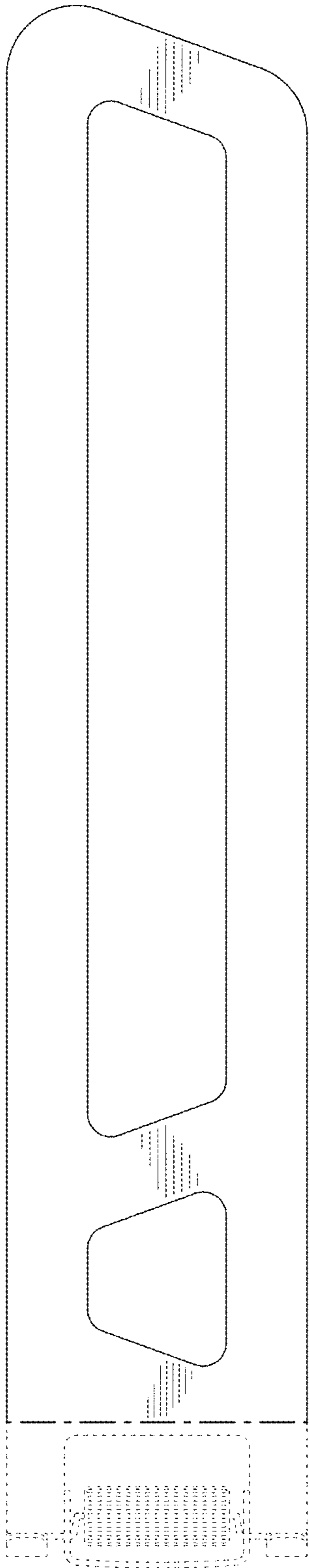


FIG. 7

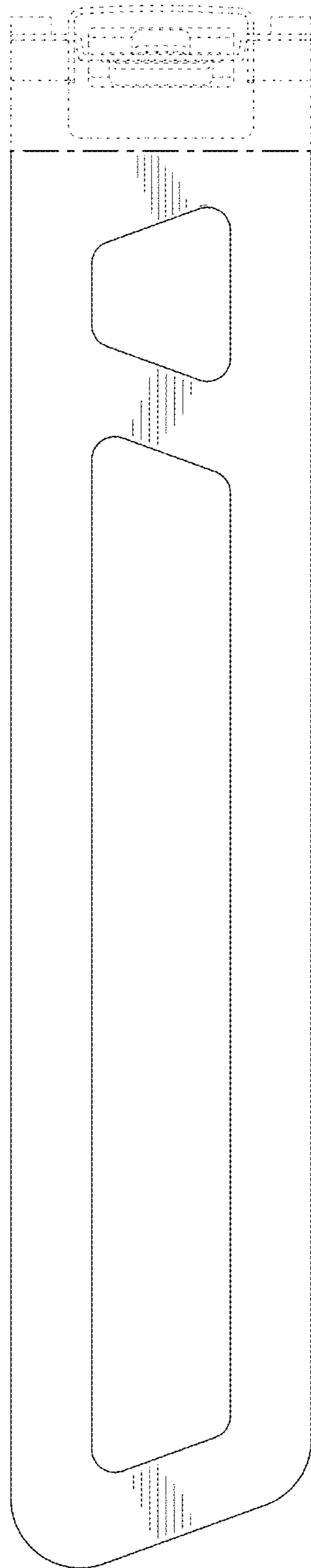


FIG. 8