

US0D1047313S

(12) **United States Design Patent**
Zhong

(10) **Patent No.:** **US D1,047,313 S**

(45) **Date of Patent:** **** Oct. 15, 2024**

(54) **STOP BARKING DEVICE**

(71) Applicant: **Shenzhen Youliou e-commerce Co., LTD, Shenzhen (CN)**

(72) Inventor: **Bingbing Zhong, Pingxiang (CN)**

(73) Assignee: **Shenzhen Youliou e-commerce Co., LTD, Shenzhen (CN)**

(**) Term: **15 Years**

(21) Appl. No.: **29/944,155**

(22) Filed: **May 27, 2024**

(51) **LOC (14) Cl.** **30-99**

(52) **U.S. Cl.**
USPC **D30/199**

(58) **Field of Classification Search**
USPC D30/108, 119, 152, 199; D6/332, 350;
D10/104.1, 116.1; D14/155, 188, 192,
D14/344; D21/494; D22/120; D25/48.5,
D25/63, 65
CPC A01K 1/0017; A01K 1/035; A01K 15/021;
A01K 15/022; A01K 15/023; A01K
27/009; A01M 29/30; A01M 29/32
See application file for complete search history.

(56) **References Cited**

U.S. PATENT DOCUMENTS

D638,394 S *	5/2011	Richards	D14/155
D713,103 S *	9/2014	Sproviero	D30/199
D795,109 S *	8/2017	Olodort	D10/104.1
9,861,080 B1 *	1/2018	Hathway	A01K 27/001
D817,557 S *	5/2018	Liu	D30/152
D842,854 S *	3/2019	Lee	D14/344
10,834,897 B1 *	11/2020	Chen	A01K 11/008
D977,766 S	2/2023	Jia		
D984,070 S *	4/2023	Yang	D30/199
D985,864 S *	5/2023	Liu	D30/199

D1,007,788 S *	12/2023	Chen	D30/199
D1,010,250 S *	1/2024	Mo	D30/199
D1,022,351 S *	4/2024	So	D30/199
2022/0361456 A1 *	11/2022	Zhang	A01K 29/005

FOREIGN PATENT DOCUMENTS

CN	305205867	*	6/2019
CN	308407513	*	1/2024
GB	6291143	*	6/2023

OTHER PUBLICATIONS

Ianciu: Bark Collar, Posted Jan. 29, 2024 [online], [Retrieved Aug. 14, 2024]. Retrieved from internet, <https://www.amazon.com/ianciu-Rechargeable-Vibration-Adjustable-Sensitivity/dp/B0CTH1GRCS?th=1> (Year: 2024).*

(Continued)

Primary Examiner — Mary Shannon Malley

Assistant Examiner — Jennifer B Salazar

(57) **CLAIM**

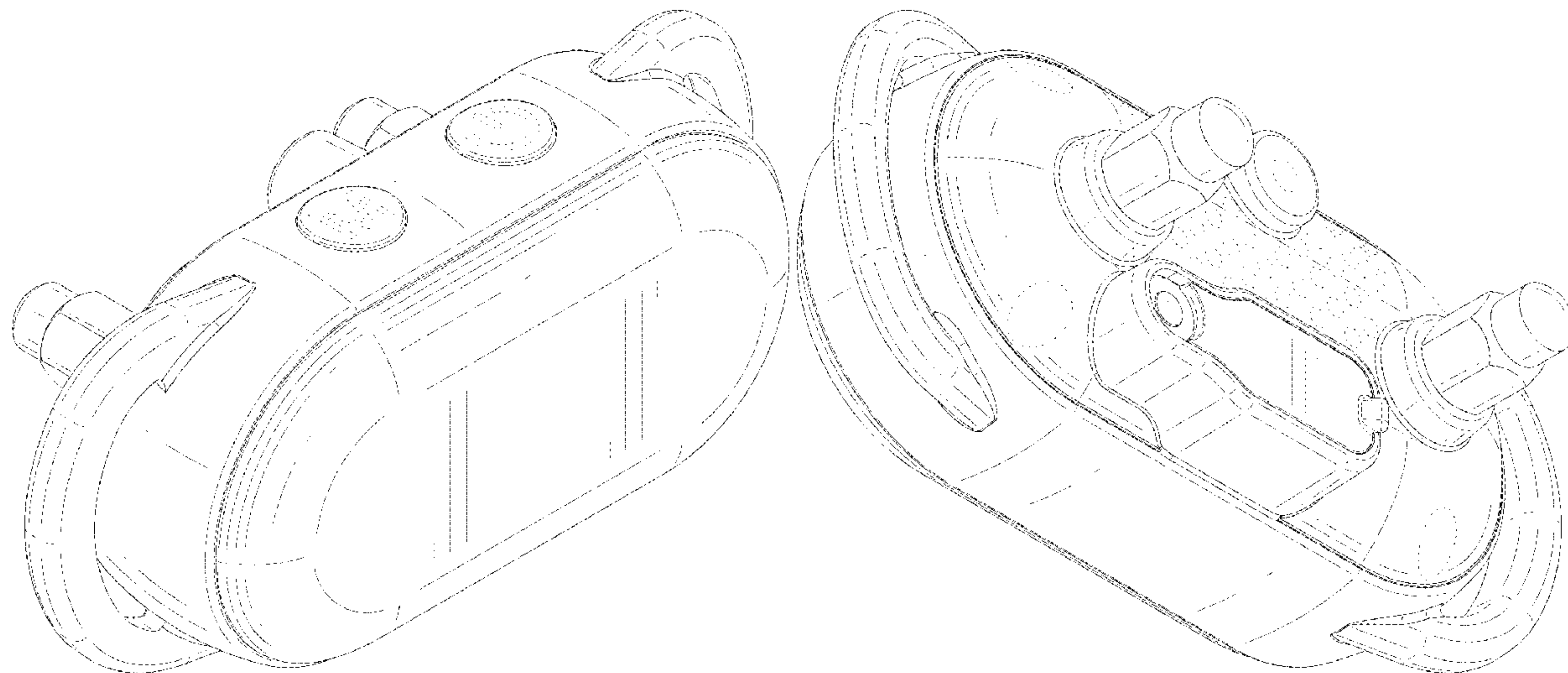
The ornamental design for a stop barking device, as shown and described.

DESCRIPTION

FIG. 1 is a front perspective view of a stop barking device, showing my new design;
FIG. 2 is a rear perspective view thereof;
FIG. 3 is a front view thereof;
FIG. 4 is a rear view thereof;
FIG. 5 is a left side view thereof;
FIG. 6 is a right side view thereof;
FIG. 7 is a top view thereof; and,
FIG. 8 is a bottom view.

The broken lines in the drawings illustrate the portions of the stop barking device, which form no part of the claimed design.

1 Claim, 8 Drawing Sheets



(56)

References Cited

OTHER PUBLICATIONS

Yawpet: Dog Shock Collar, Posted Aug. 24, 2022 [online], [Retrieved Aug. 14, 2024]. Retrieved from internet, <https://www.amazon.com/Yawpet-Electric-Waterproof-Vibrating-Rechargeable/dp/B0BB7CWKM4> (Year: 2022).*

Dinjoo: Dog Bark Collar, Posted Jul. 25, 2022 [online], [Retrieved Aug. 14, 2024]. Retrieved from internet, <https://www.amazon.com/DINJOO-Rechargeable-Adjustable-Sensitivity-Vibration/dp/B0B7H57Y2P?th=1> (Year: 2022).*

Seahighpet: Rechargeable Dog Bark Collar, Posted Jan. 18, 2022 [online], [Retrieved Aug. 14, 2024]. Retrieved from internet, <https://www.amazon.com/Seahighpet-Rechargeable-Dog-Bark-Collar/dp/B09QMF4PF5> (Year: 2022).*

* cited by examiner

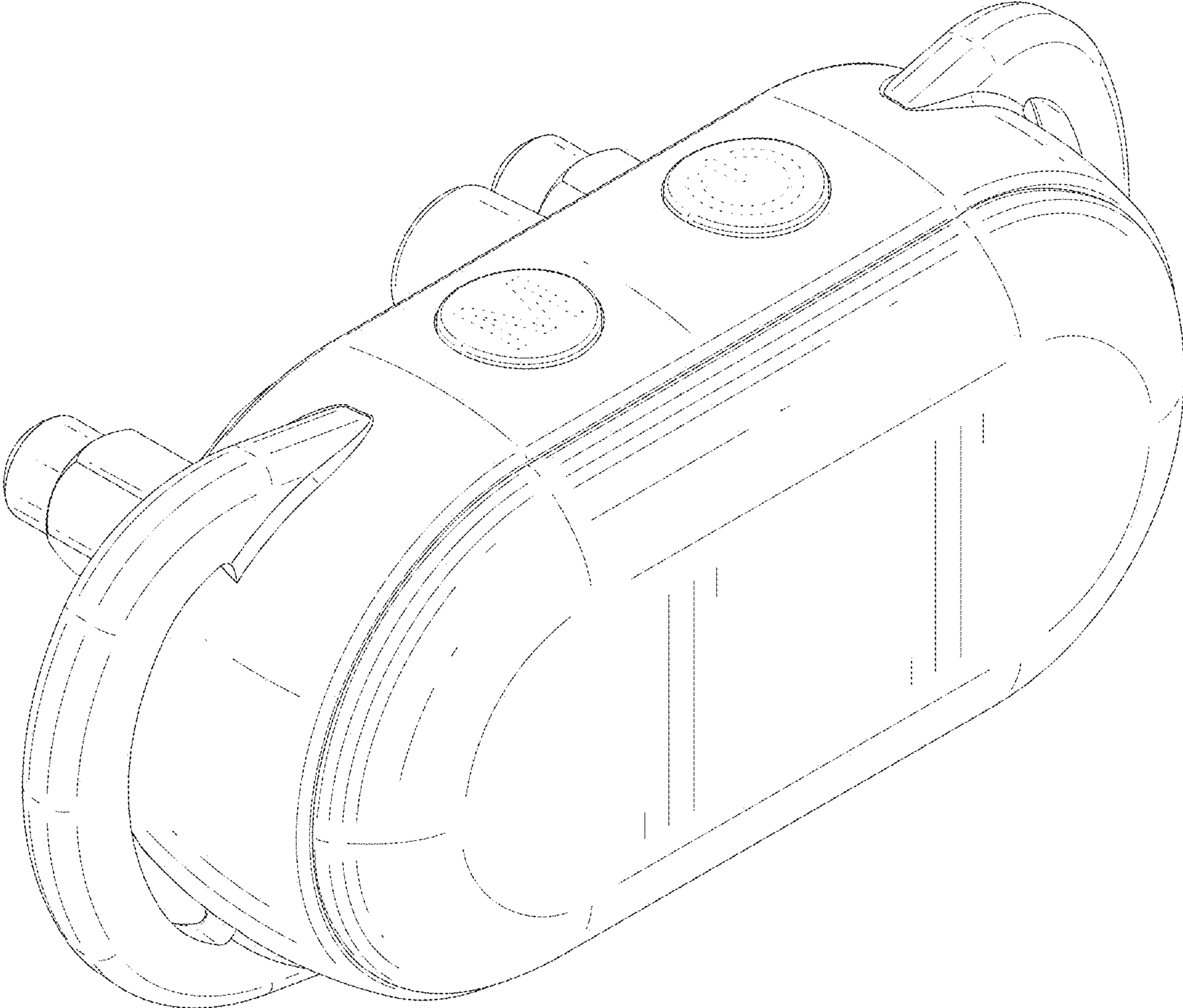


FIG. 1

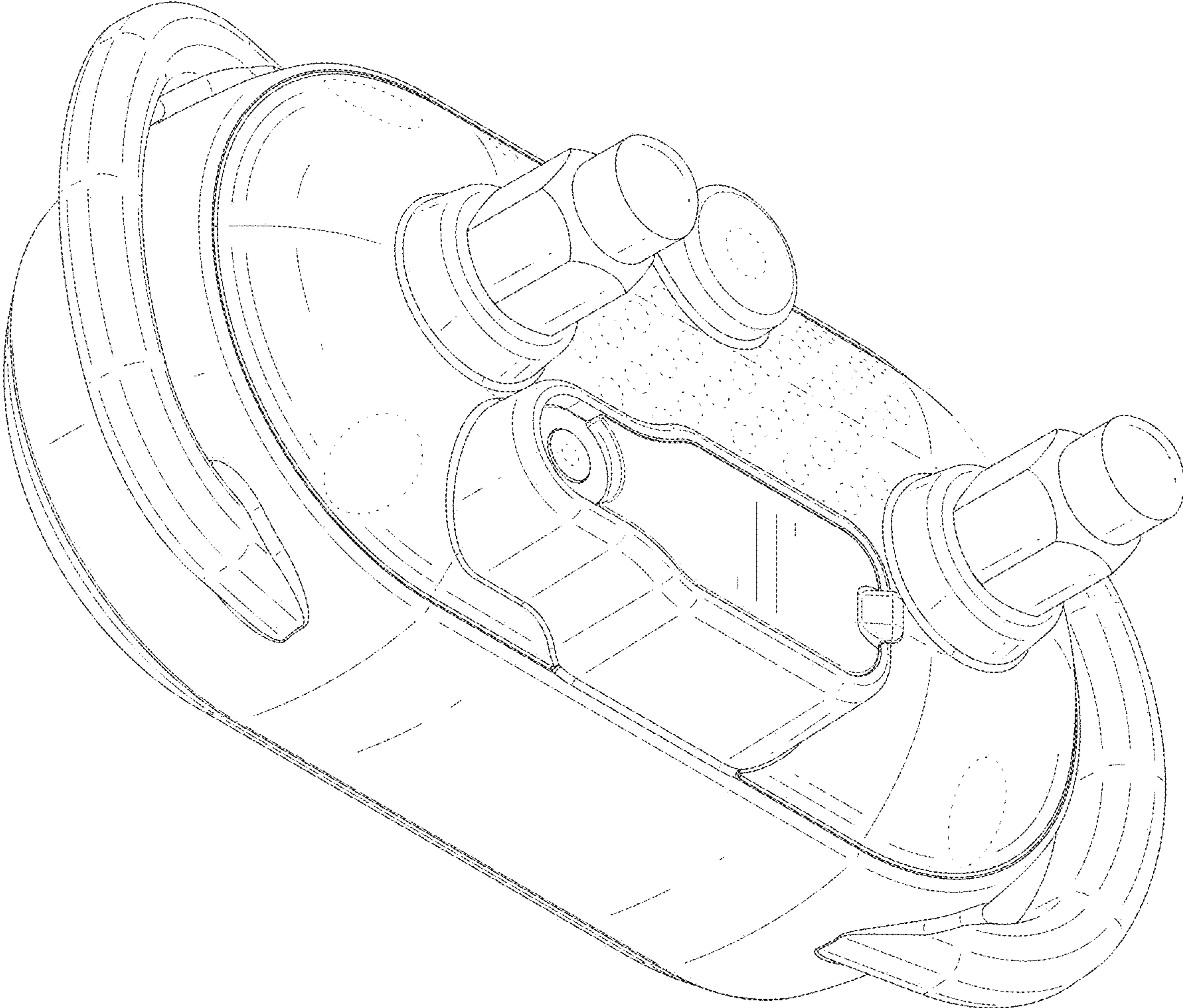


FIG. 2

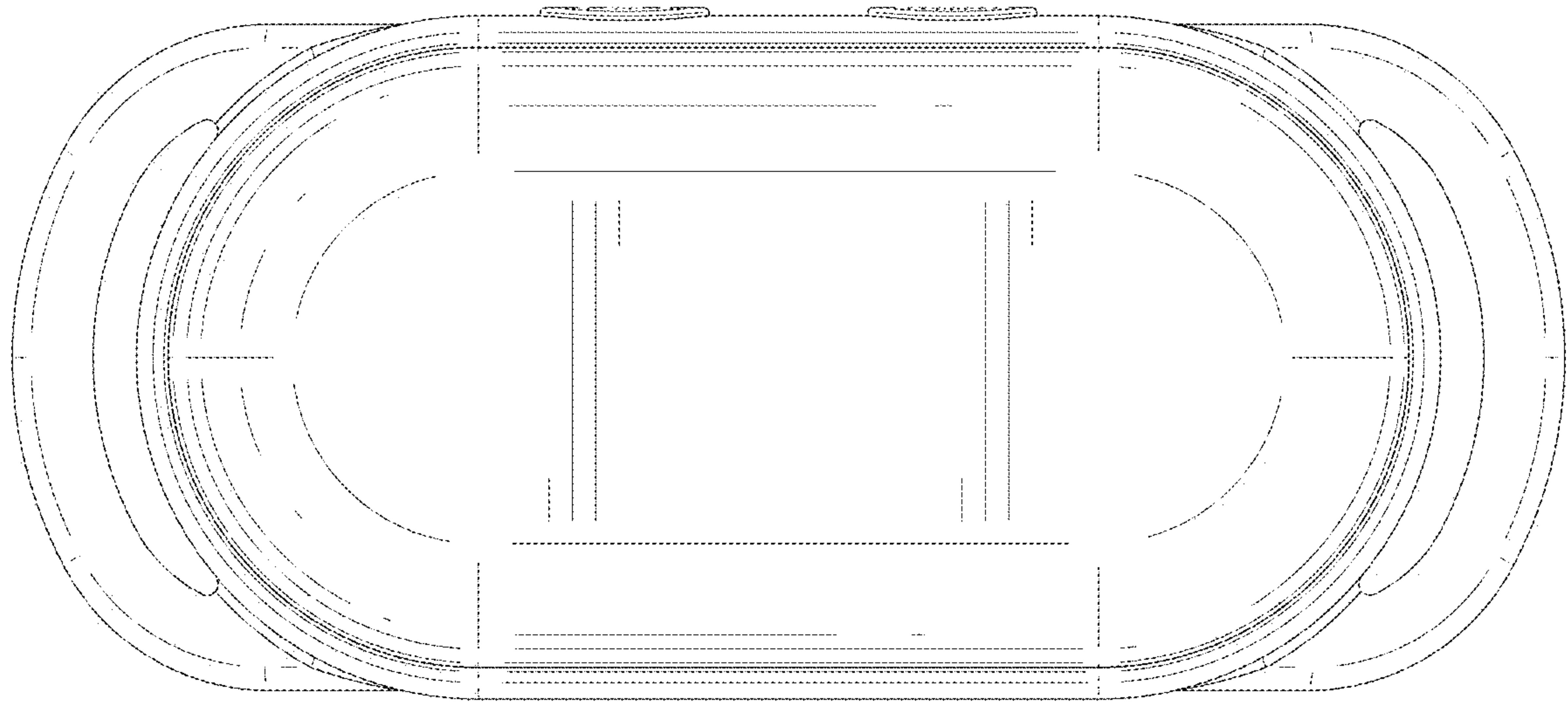


FIG. 3

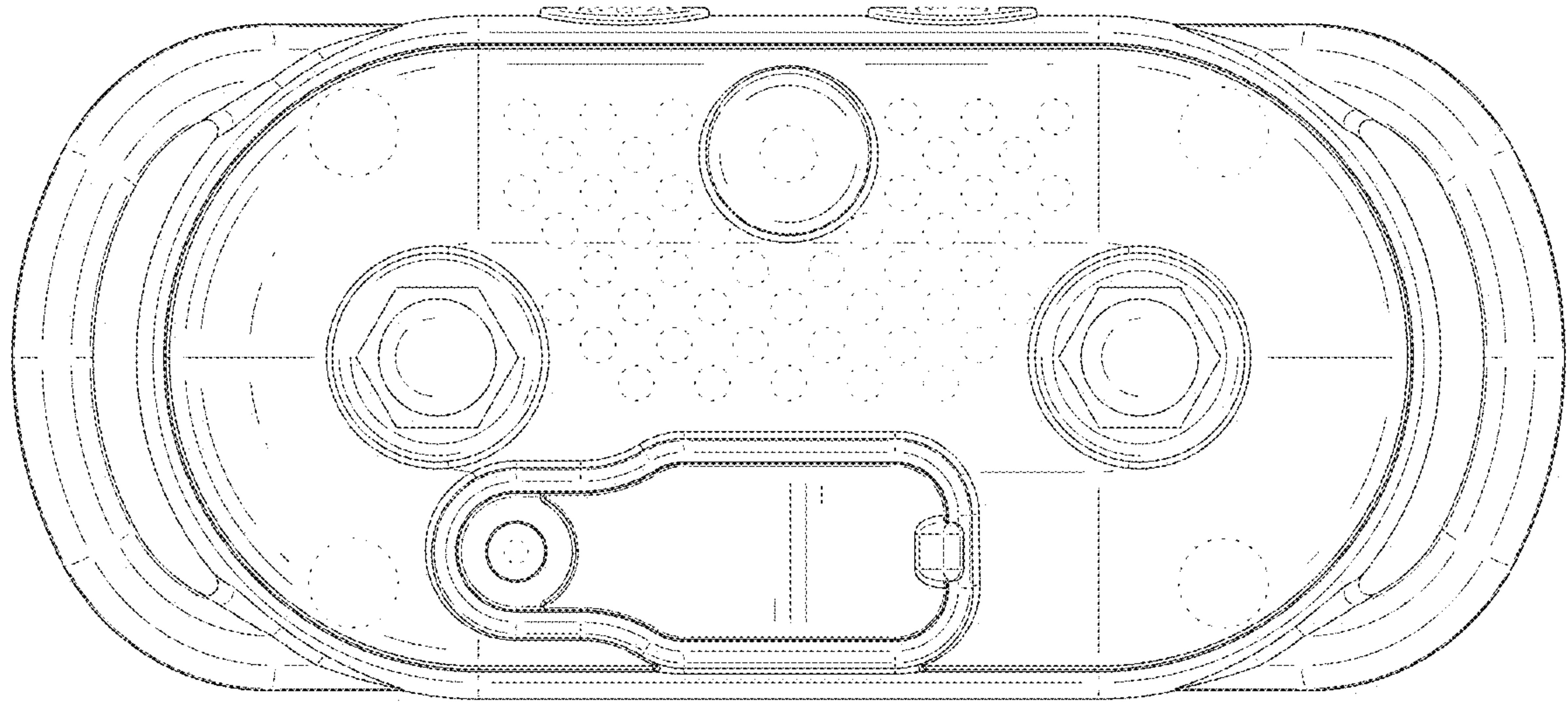


FIG. 4

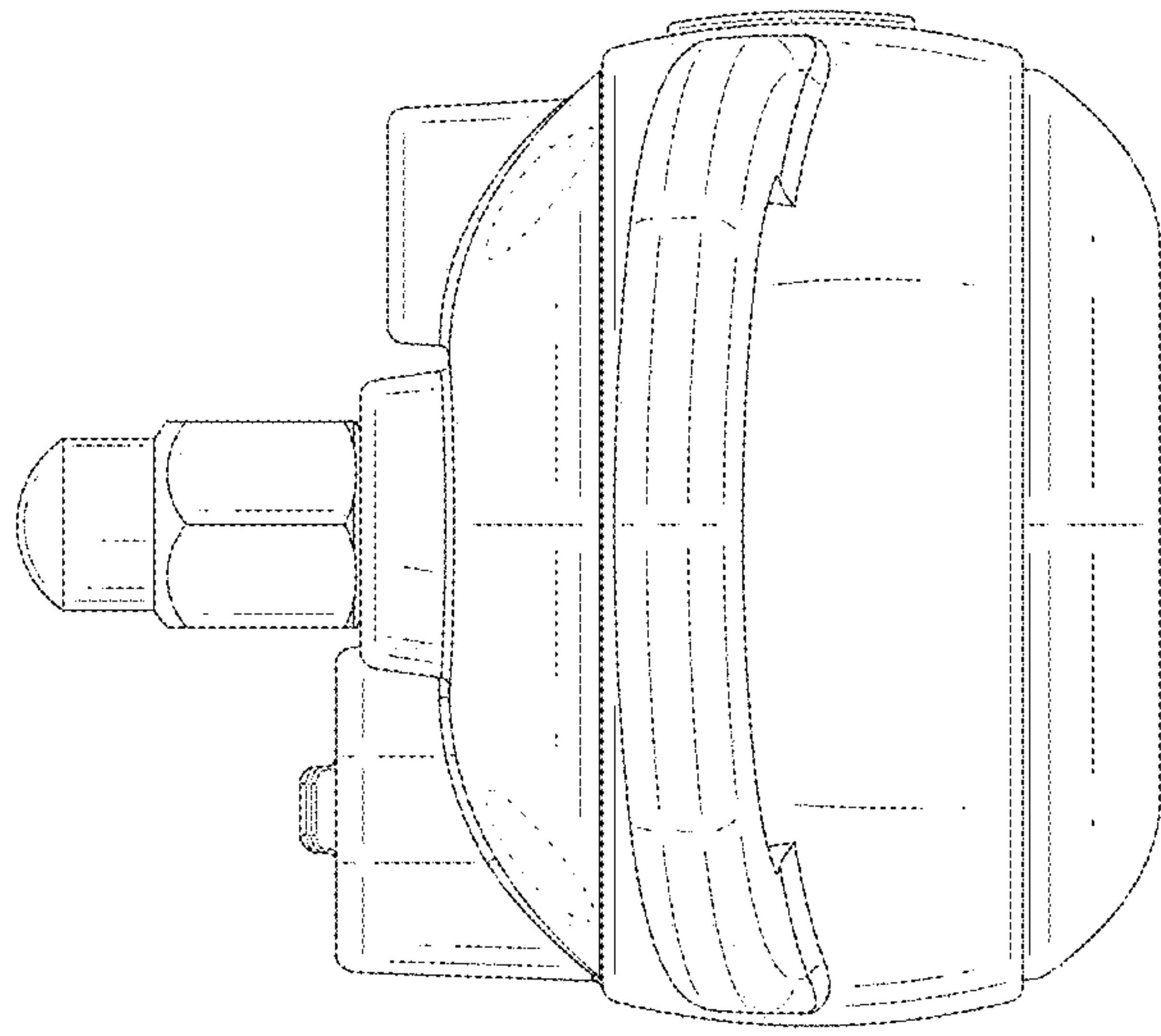


FIG. 5

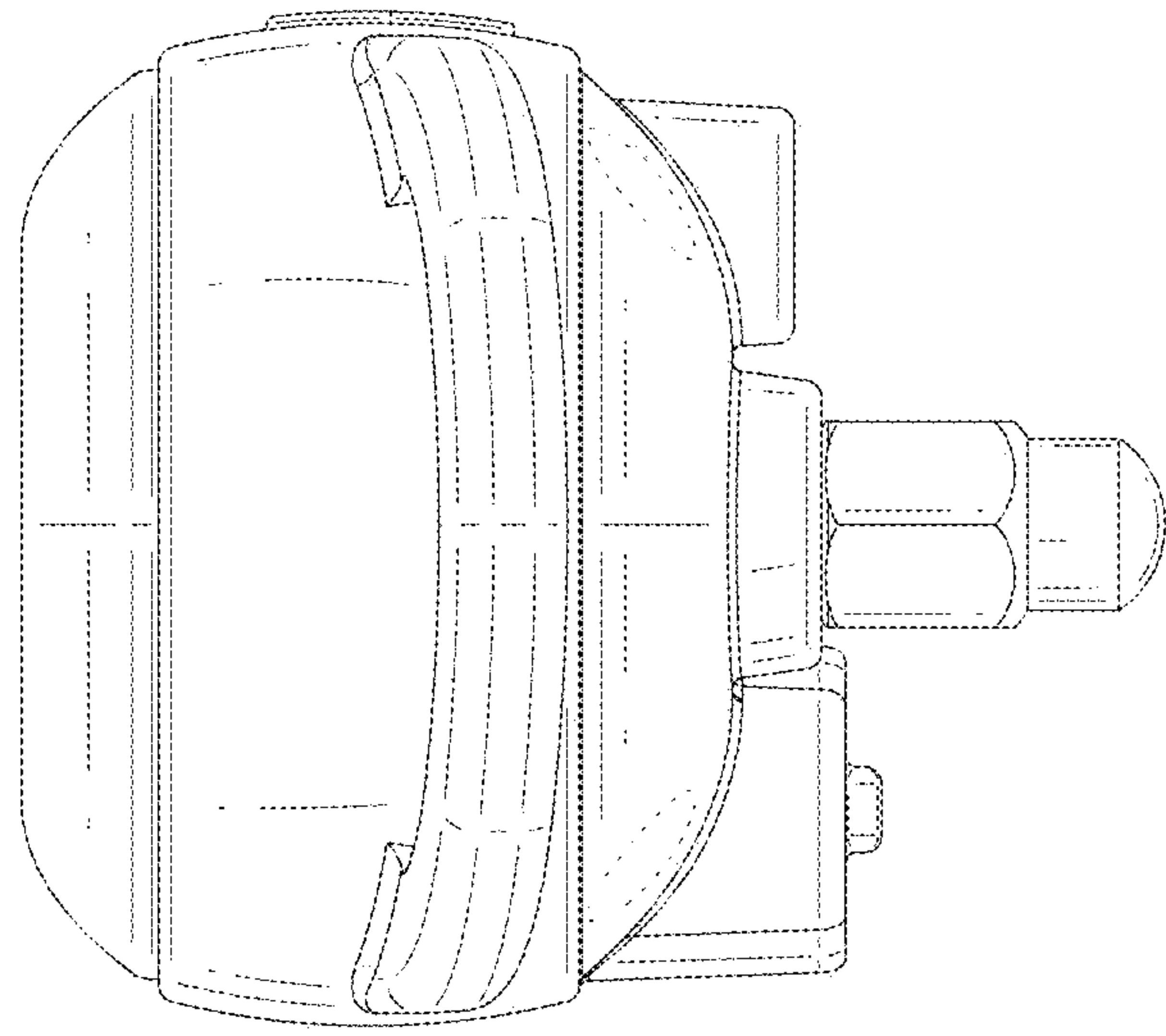


FIG. 6

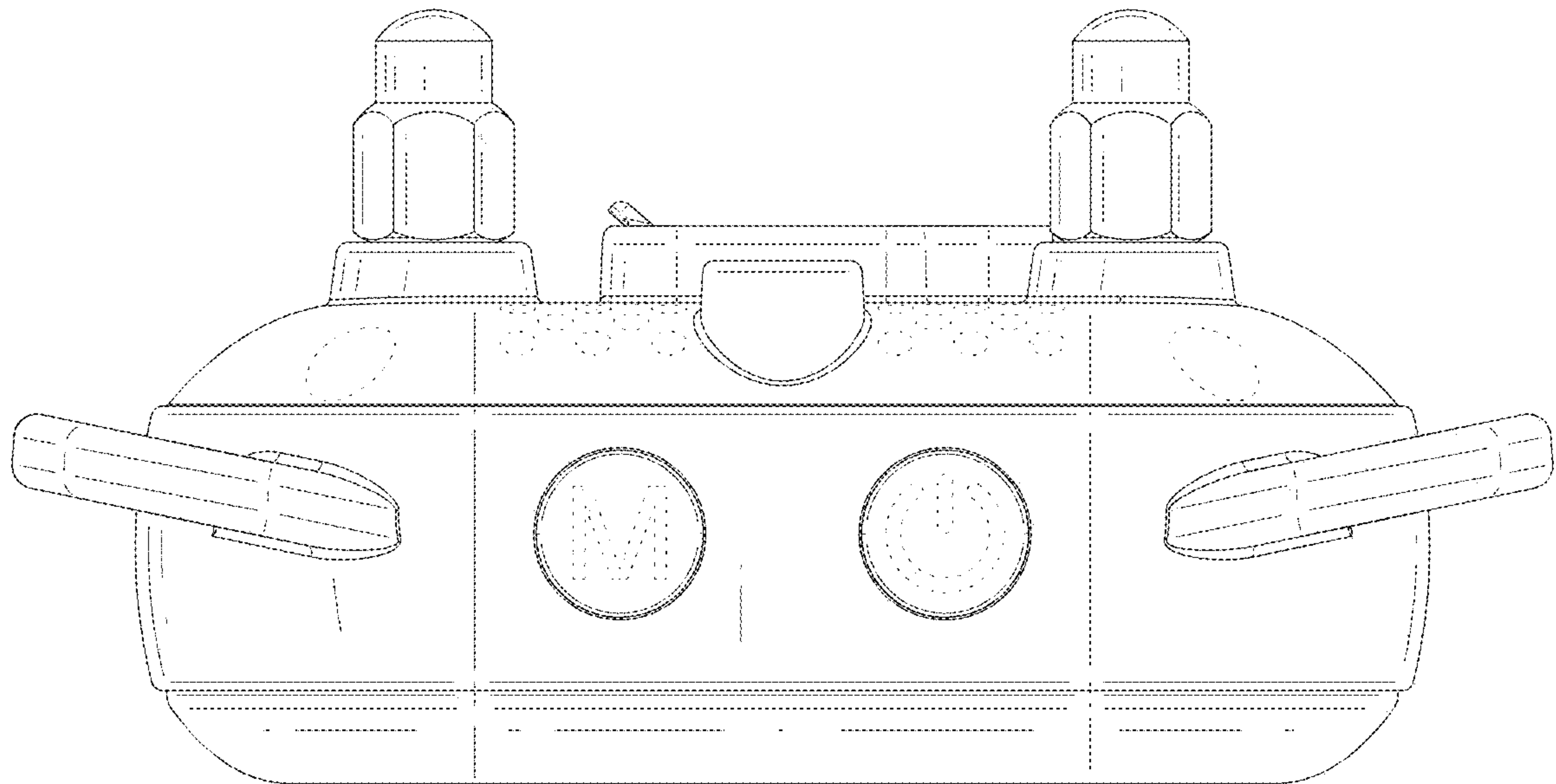


FIG. 7

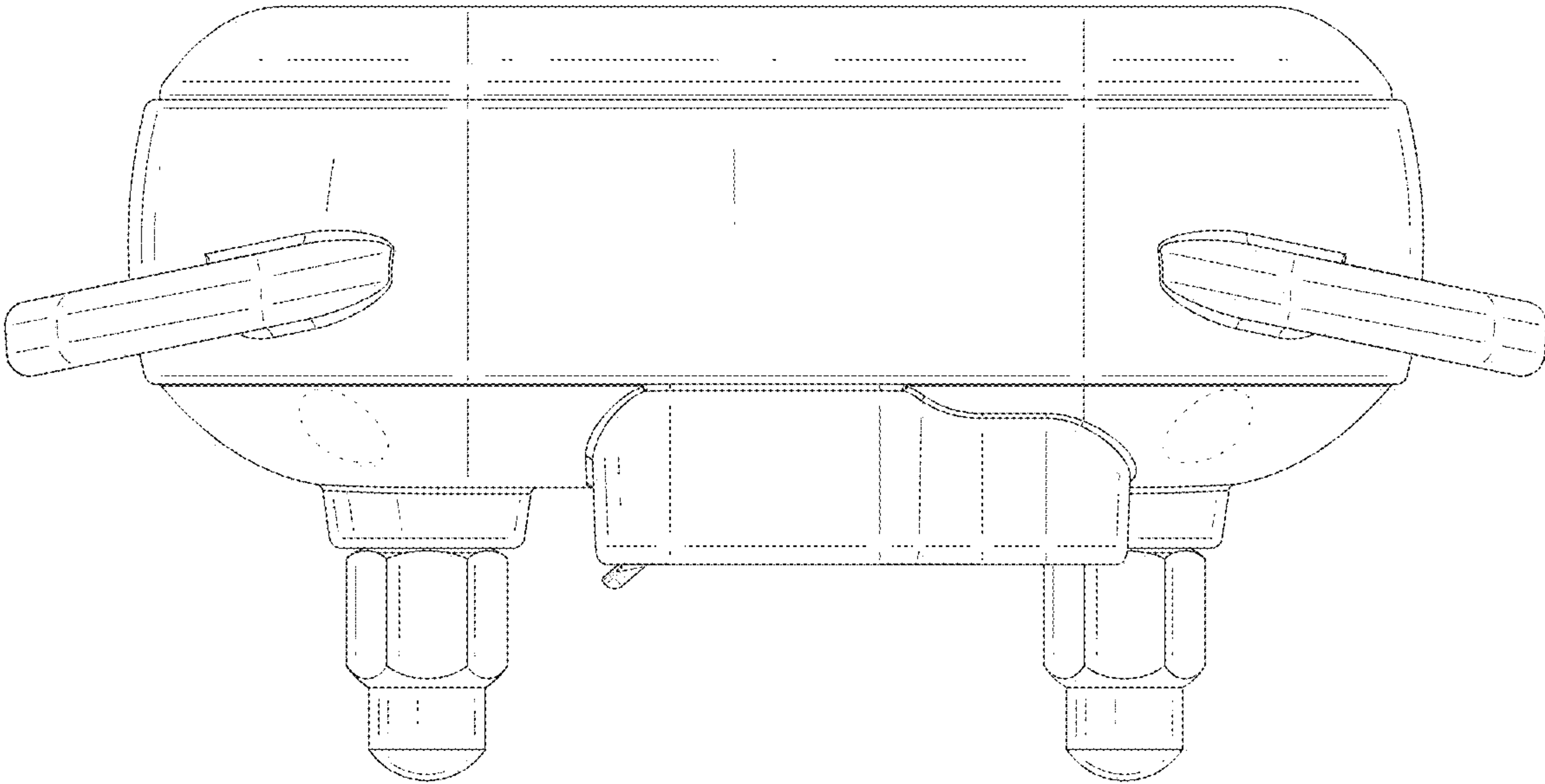


FIG. 8