



US0D1047273S

(12) **United States Design Patent** (10) **Patent No.:** **US D1,047,273 S**  
**Banner** (45) **Date of Patent:** **\*\* Oct. 15, 2024**

- (54) **MATCH CASE**
- (71) Applicant: **InstaFire, LLC**, Salt Lake City, UT (US)
- (72) Inventor: **Konel S. Banner**, Ogden, UT (US)
- (73) Assignee: **INSTAFIRE, LLC**, Salt Lake City, UT (US)
- (\*\*) Term: **15 Years**
- (21) Appl. No.: **29/878,067**
- (22) Filed: **Jun. 15, 2023**
- (51) **LOC (14) Cl.** ..... **27-01**
- (52) **U.S. Cl.**  
USPC ..... **D27/173**
- (58) **Field of Classification Search**  
USPC ..... D3/205, 206; D27/173  
CPC ..... B65D 85/109; A24F 27/00  
See application file for complete search history.

D198,409 S *	6/1964	Ehrsam	.....	D27/173
D248,337 S *	6/1978	Marx	.....	D3/284
D282,786 S *	2/1986	Cho	.....	D27/170
D442,330 S *	5/2001	Cousins	.....	D27/173
D710,537 S *	8/2014	Jackson	.....	D27/173
D828,595 S *	9/2018	Lake	.....	D26/38
D922,759 S *	6/2021	Valletta	.....	D3/201
2017/0231272 A1 *	8/2017	Pontano	.....	A24F 27/00 206/101

\* cited by examiner

*Primary Examiner* — Charles D Hanson  
(74) *Attorney, Agent, or Firm* — Perkins Coie LLP

(57) **CLAIM**

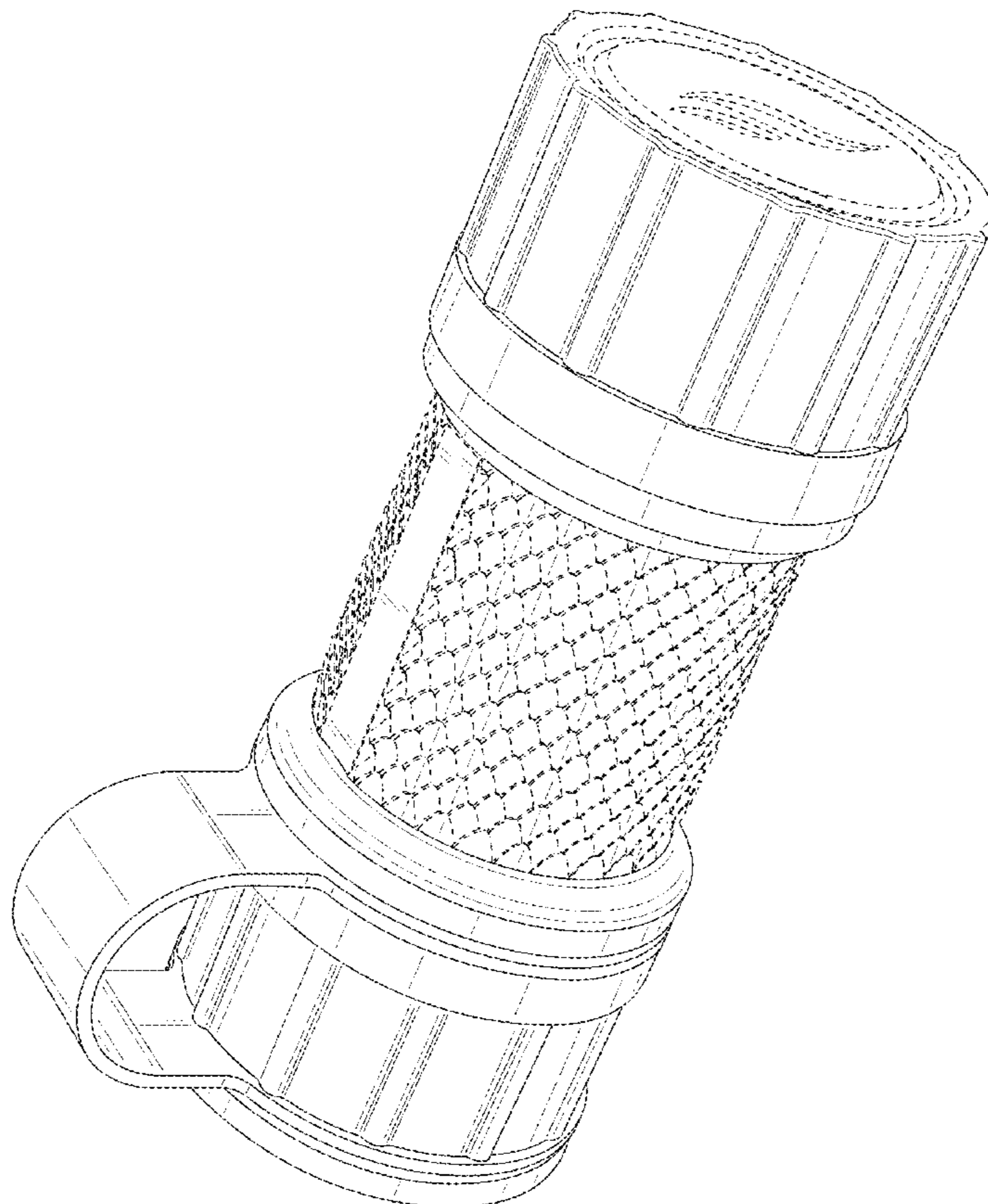
The ornamental design for a match case as shown and described.

**DESCRIPTION**

FIG. 1 is a perspective view of a match case showing my new design.  
 FIG. 2 is a right-side perspective view thereof.  
 FIG. 3 is a left-side perspective view thereof.  
 FIG. 4 is a front perspective view thereof.  
 FIG. 5 is a rear perspective view thereof.  
 FIG. 6 is a top perspective view thereof; and,  
 FIG. 7 is a bottom perspective view thereof.  
 Any broken lines, colors, and/or patterns in the drawing are for illustrative purposes only and form no part of the claimed design.

**1 Claim, 7 Drawing Sheets**

- (56) **References Cited**  
U.S. PATENT DOCUMENTS
- 1,205,510 A \* 11/1916 Brown ..... A24F 27/00  
206/811
- 1,470,154 A \* 10/1923 Draughon ..... A24F 17/00  
206/102
- D134,829 S \* 1/1943 Brown ..... D27/174



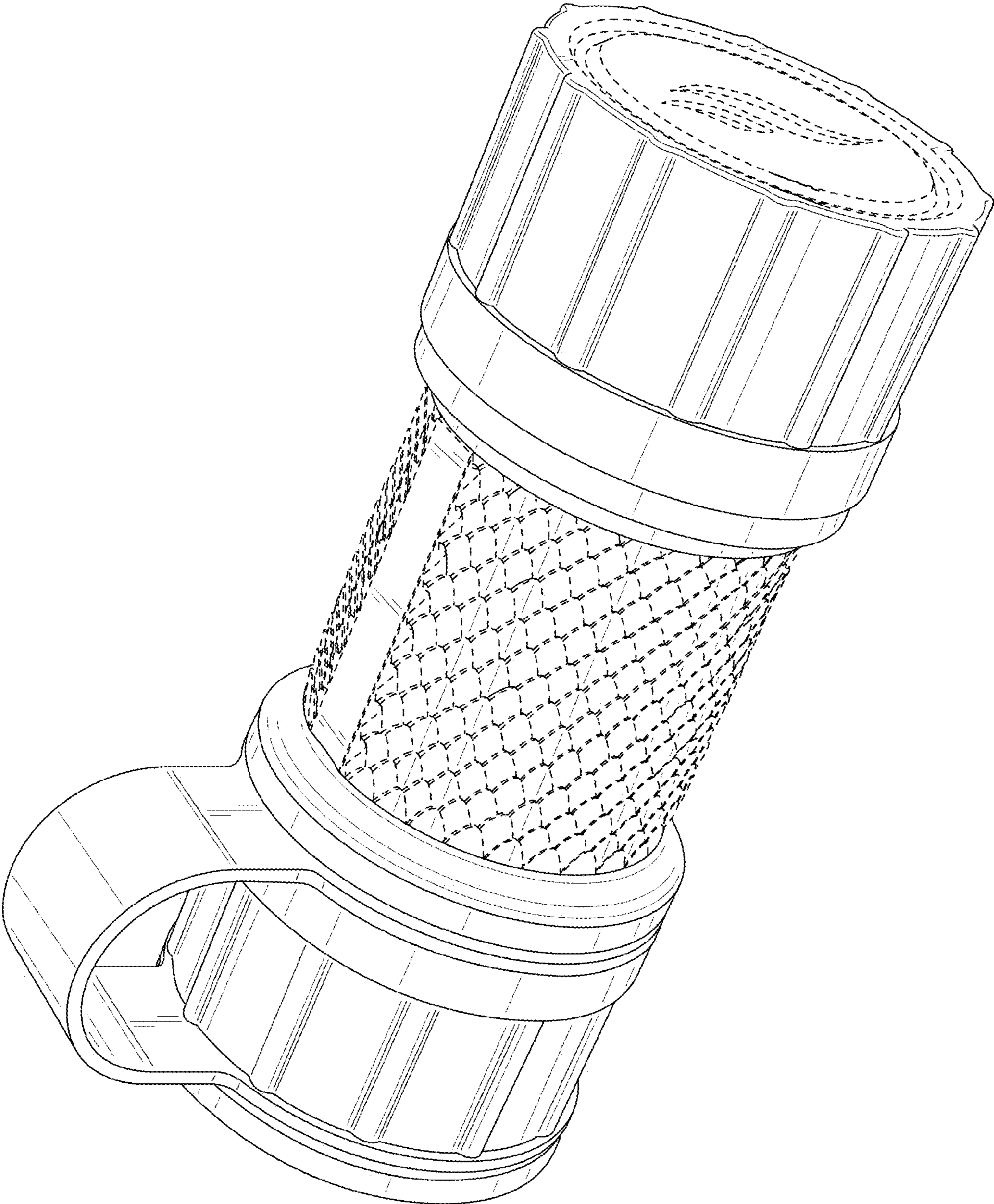


Fig. 1

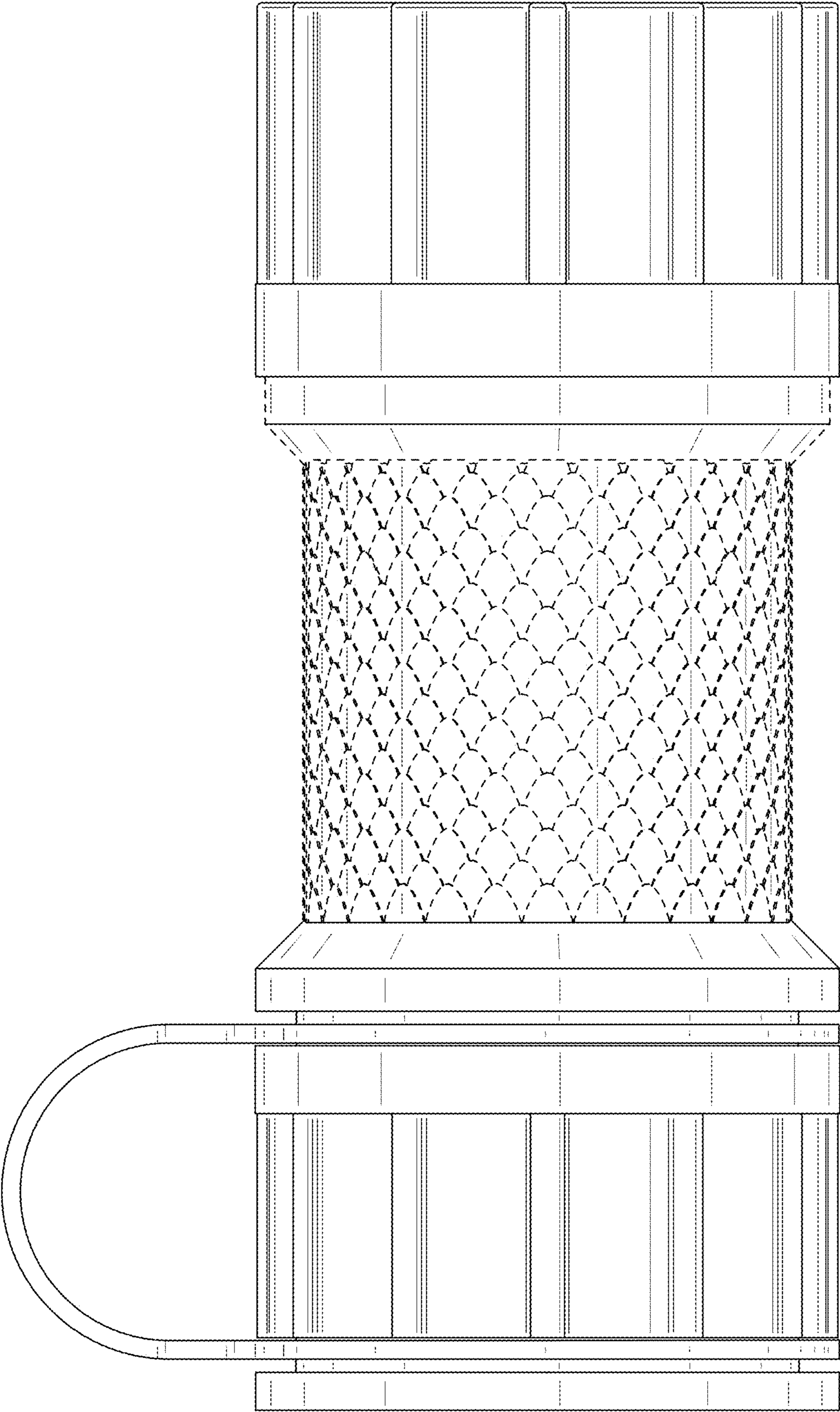


Fig. 2

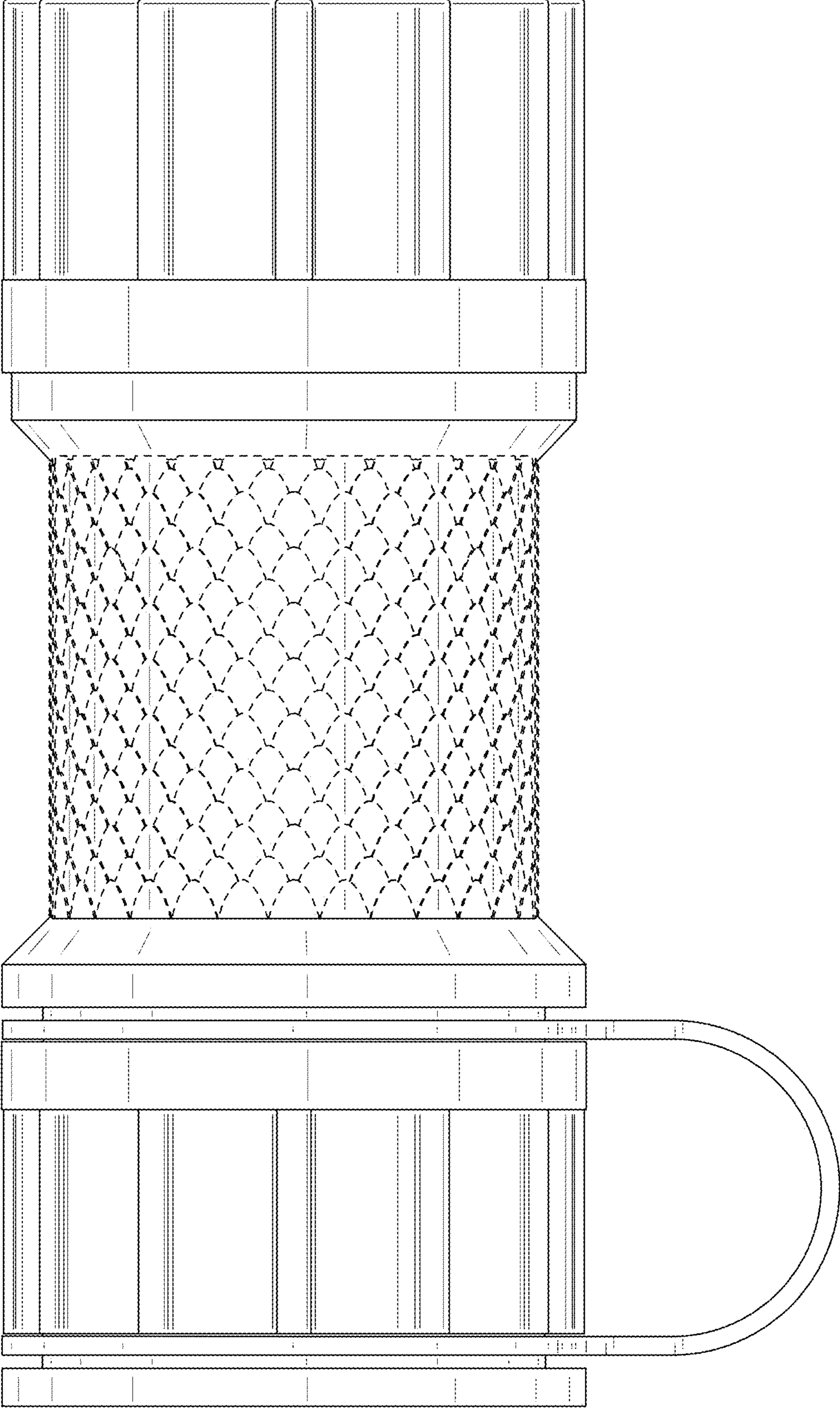


Fig. 3

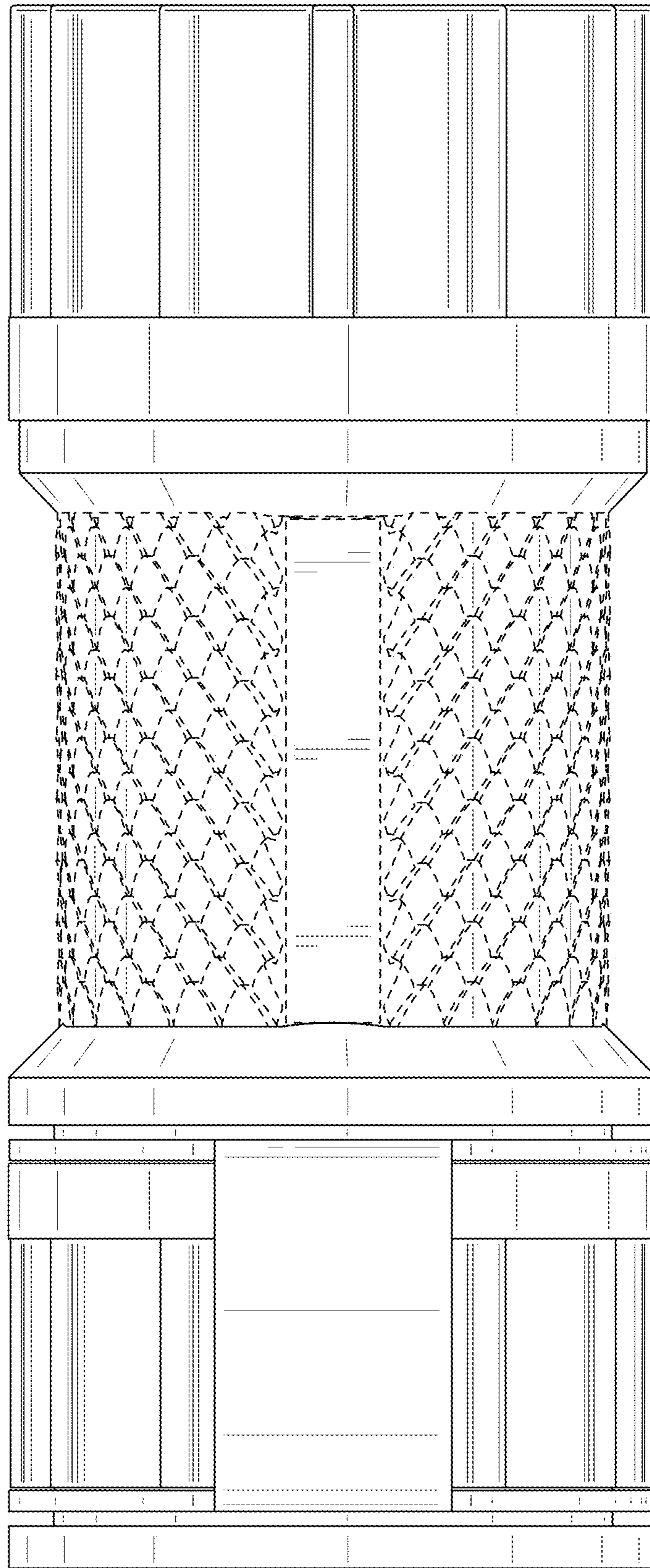


Fig. 4

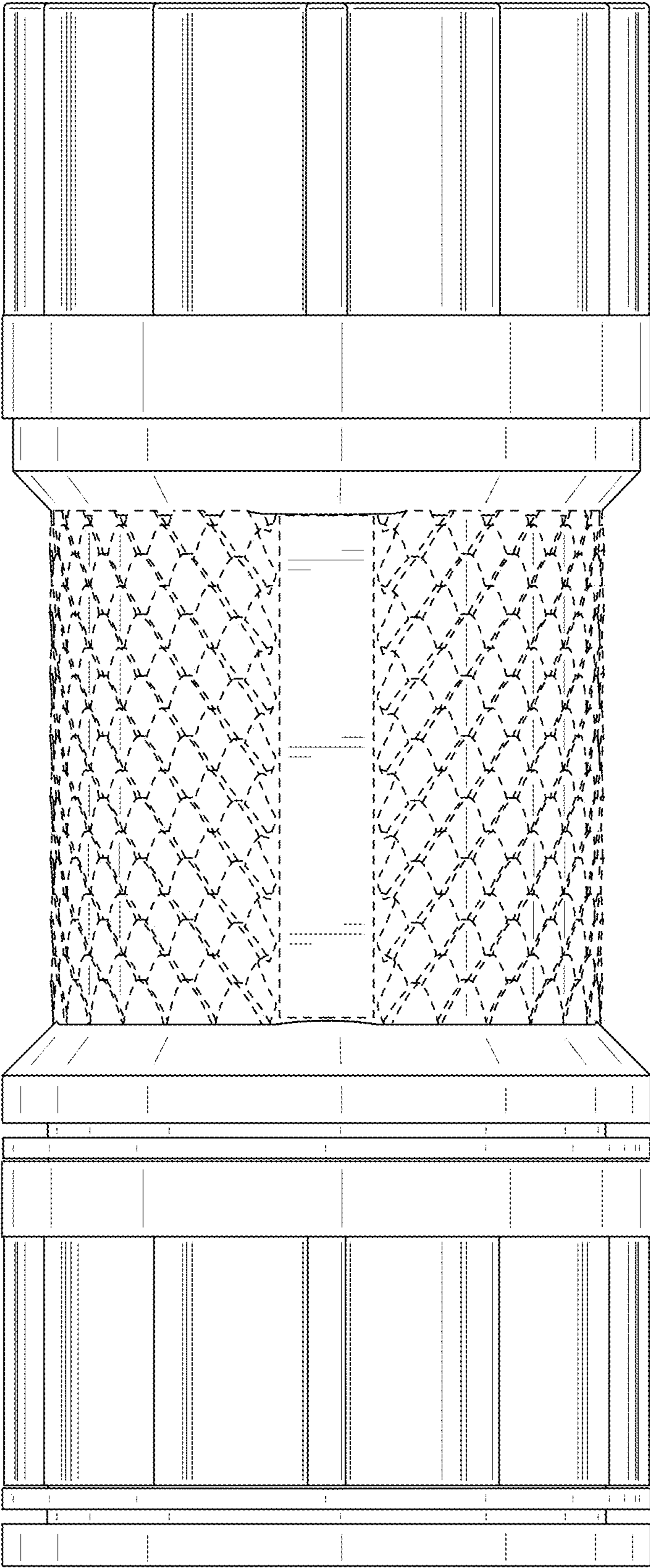


Fig. 5

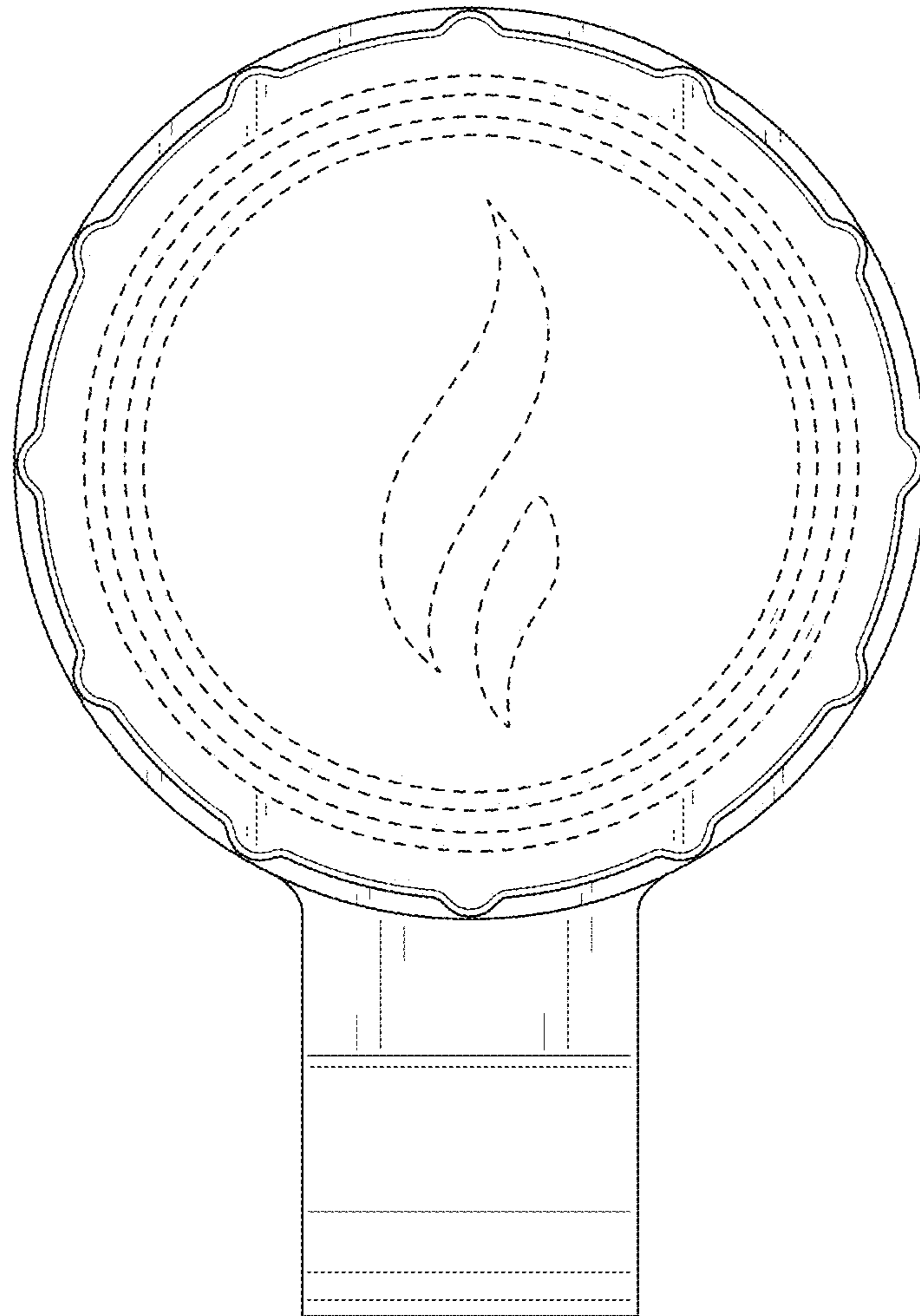


Fig. 6

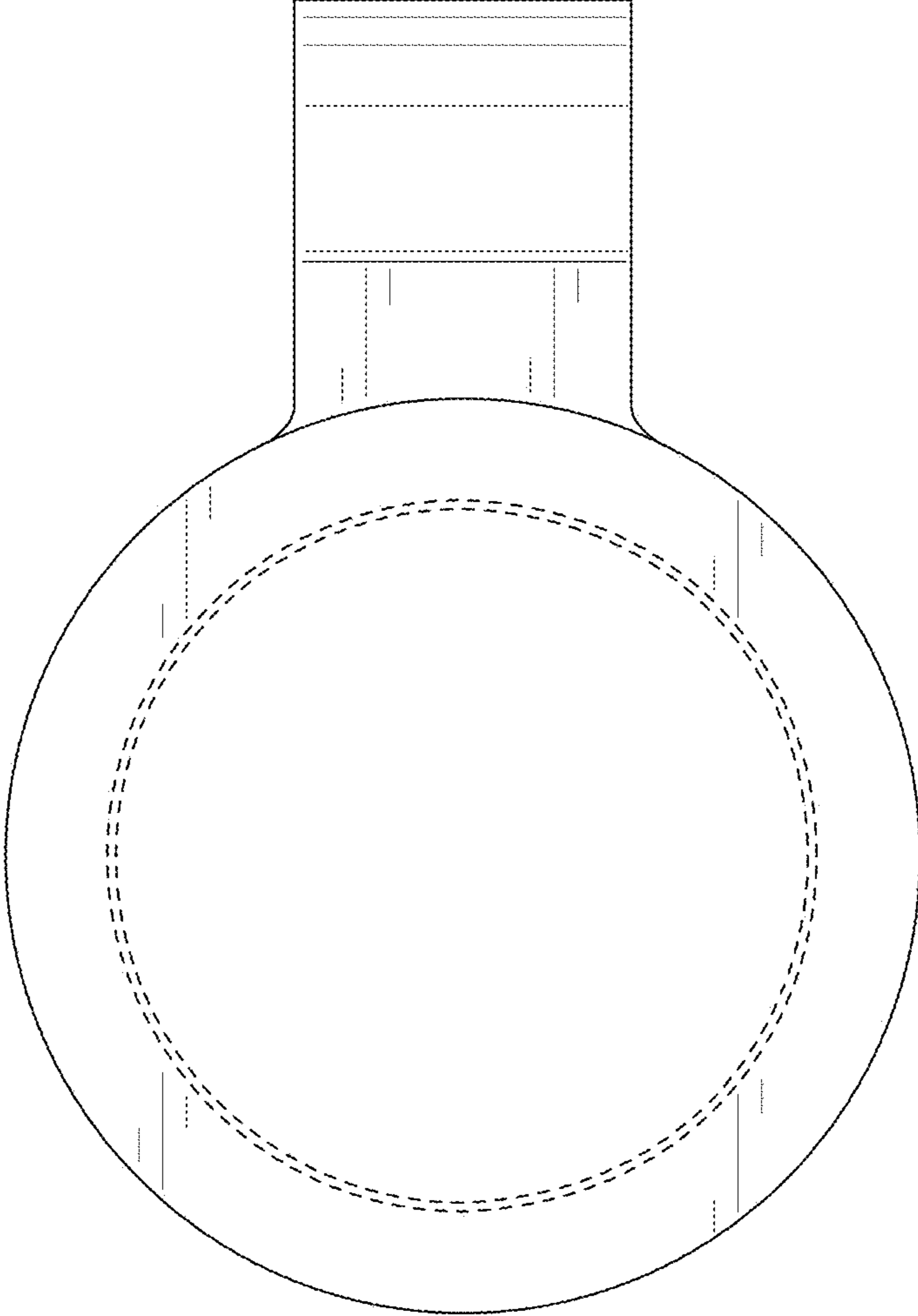


Fig. 7