



US0D1047085S

(12) **United States Design Patent**
Kulig

(10) **Patent No.: US D1,047,085 S**

(45) **Date of Patent: ** Oct. 15, 2024**

(54) **FAUCET**

(71) Applicant: **Graff Faucets**, Milwaukee, WI (US)

(72) Inventor: **Zbigniew Kulig**, Wadworth, IL (US)

(73) Assignee: **Graff Faucets**, Milwaukee, WI (US)

(**) Term: **15 Years**

(21) Appl. No.: **29/861,698**

(22) Filed: **Dec. 1, 2022**

(51) **LOC (14) Cl.** **23-01**

(52) **U.S. Cl.**
USPC **D23/238**

(58) **Field of Classification Search**
USPC D23/238, 239, 240, 241, 242, 243, 244,
D23/245, 246, 247, 249, 250, 251, 252,
D23/253, 254, 255, 256, 257, 258
CPC E03C 1/00; E03C 1/01; E03C 1/02; E03C
1/023; E03C 1/04; E03C 1/0401; E03C
1/0403; E03C 1/0404; E03C 1/0405;
E03C 1/0412; E03C 1/05; E03C 1/042
See application file for complete search history.

(56) **References Cited**

U.S. PATENT DOCUMENTS

D312,495 S	*	11/1990	Joerger	D23/242
D374,478 S	*	10/1996	Doughty	D23/242
D440,635 S	*	4/2001	Fleischmann	D23/242
D520,119 S		5/2006	Kulig		
D614,734 S		4/2010	Kulig		
D624,991 S	*	10/2010	Kulig	D23/242
D652,898 S	*	1/2012	Flowers	D23/252
D655,786 S	*	3/2012	Fukasawa	D23/242
D792,560 S		7/2017	Kulig		

D820,413 S	*	6/2018	Seum	D23/254
D908,194 S	*	1/2021	Rockwell	D23/252
D915,554 S	*	4/2021	Gessi	D23/238
D964,525 S	*	9/2022	Soulier	D23/255
D965,111 S		9/2022	Kulig		
D973,846 S	*	12/2022	Pan	D23/241
D996,576 S	*	8/2023	Gessi	D23/254
D1,000,588 S	*	10/2023	Barber	D23/242
D1,000,589 S	*	10/2023	He	D23/242
D1,006,197 S	*	11/2023	Qiu	D23/242
D1,013,123 S	*	1/2024	Downey	D23/254
D1,022,139 S	*	4/2024	Chen	D23/241

OTHER PUBLICATIONS

Amazon, Grohe Faucet, posted Mar. 21, 2012, [online], [visited Apr. 30, 2024]. Internet, <URL: <https://www.amazon.co.uk/GROHE-20216001-Concetto-Three-Hole-Basin/dp/B00719TCP2/?th=1>> (Year: 2012).*

* cited by examiner

Primary Examiner — Samantha Wood
(74) *Attorney, Agent, or Firm* — Boyle Fredrickson S.C.

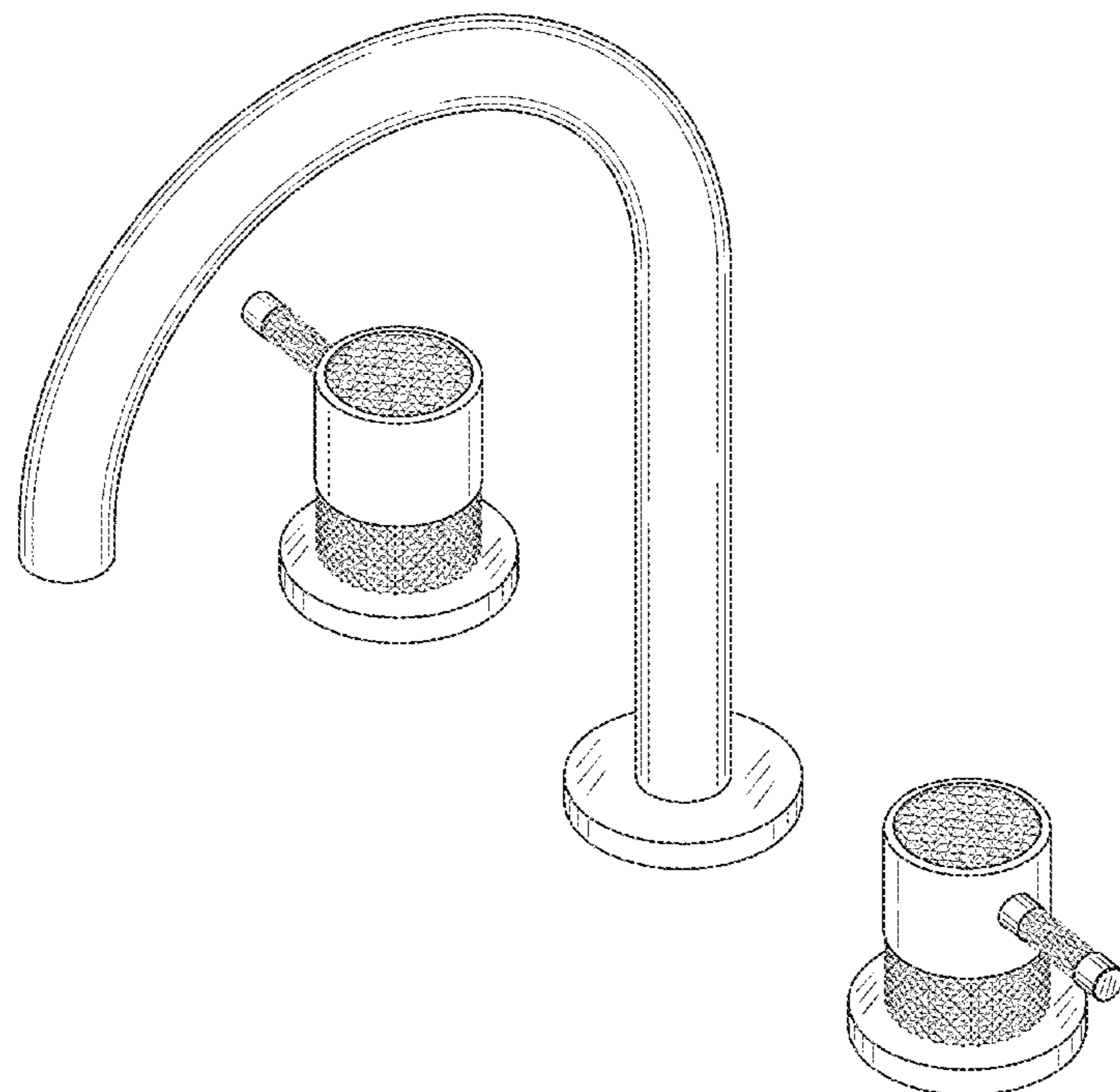
(57) **CLAIM**

The ornamental design for a faucet as shown and described.

DESCRIPTION

FIG. 1 is a top, front, right isometric view of a faucet incorporating my new design;
FIG. 2 is a front elevation view thereof;
FIG. 3 is a right-side elevation view thereof;
FIG. 4 is a left-side elevation view thereof;
FIG. 5 is a rear elevation view thereof; and,
FIG. 6 is a top plan view thereof.

1 Claim, 6 Drawing Sheets



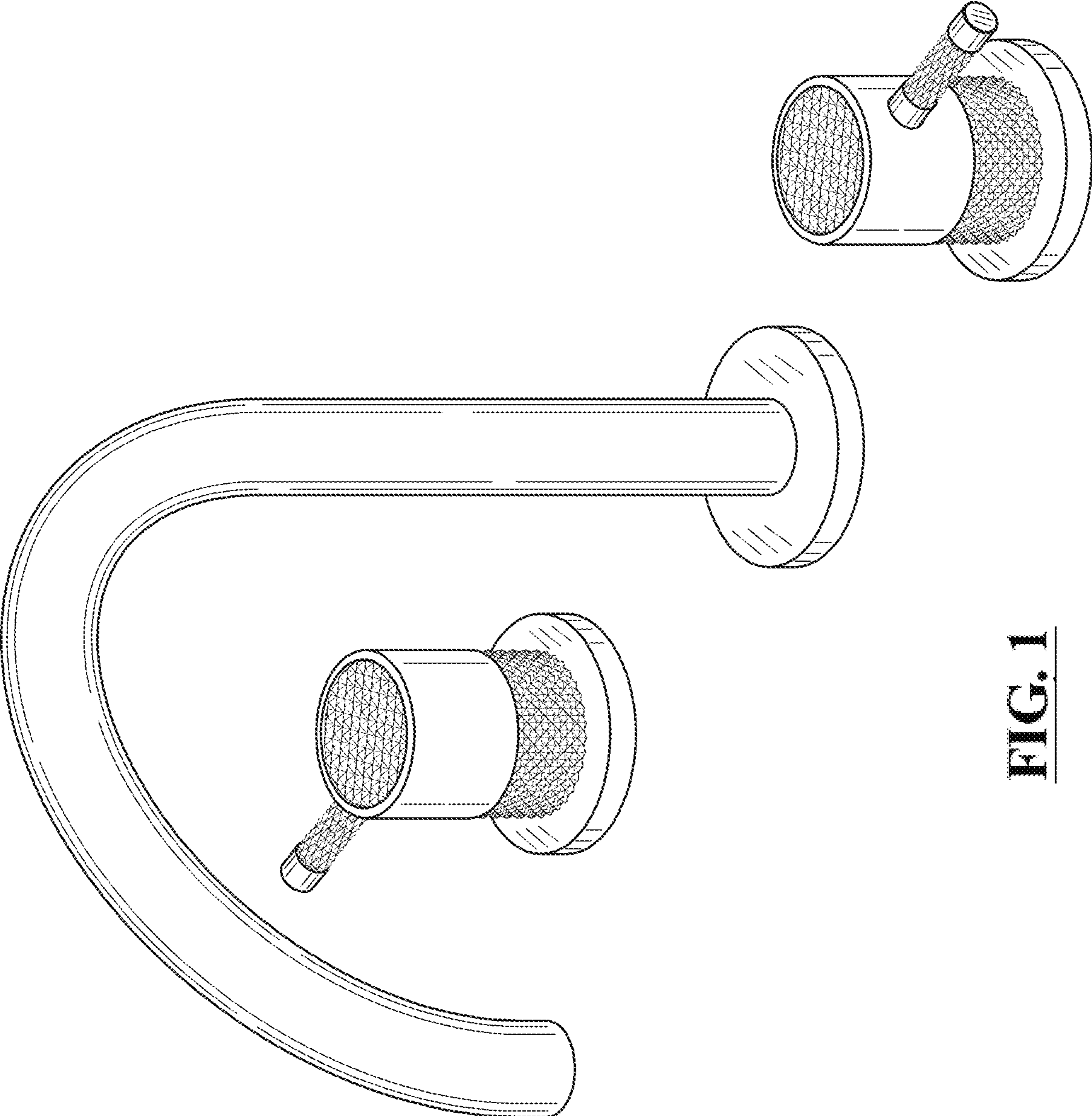


FIG. 1

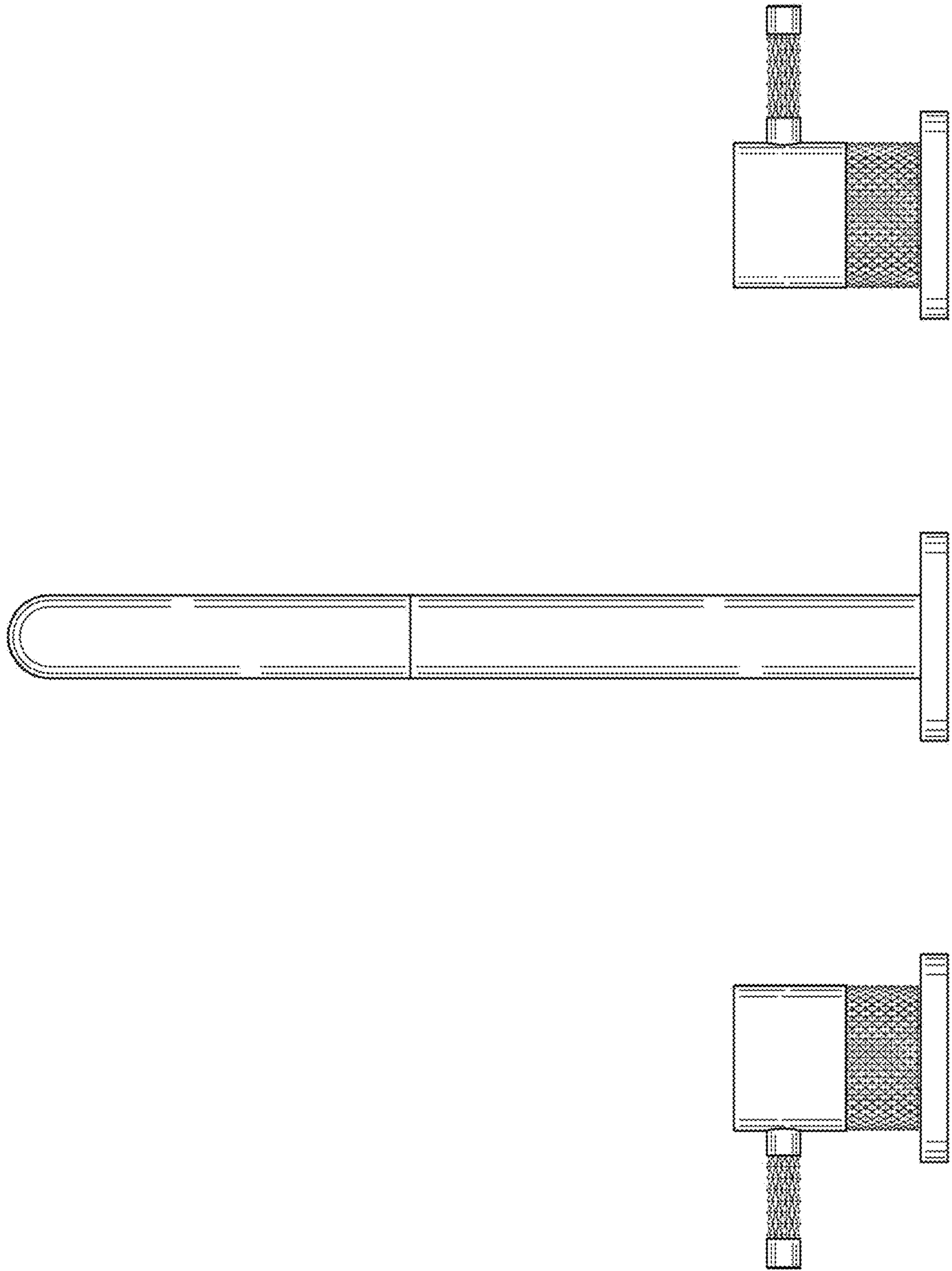


FIG. 2

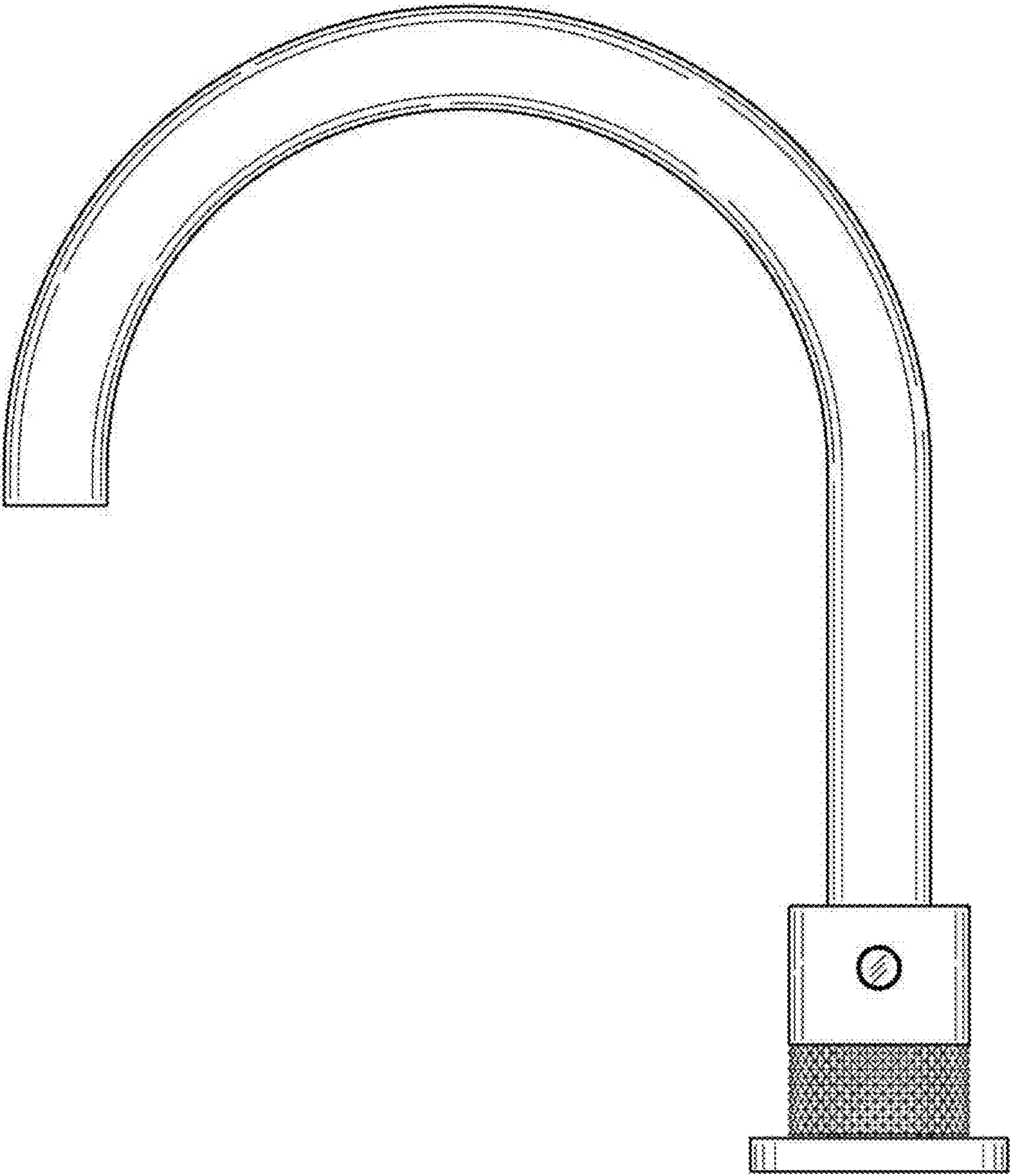


FIG. 3

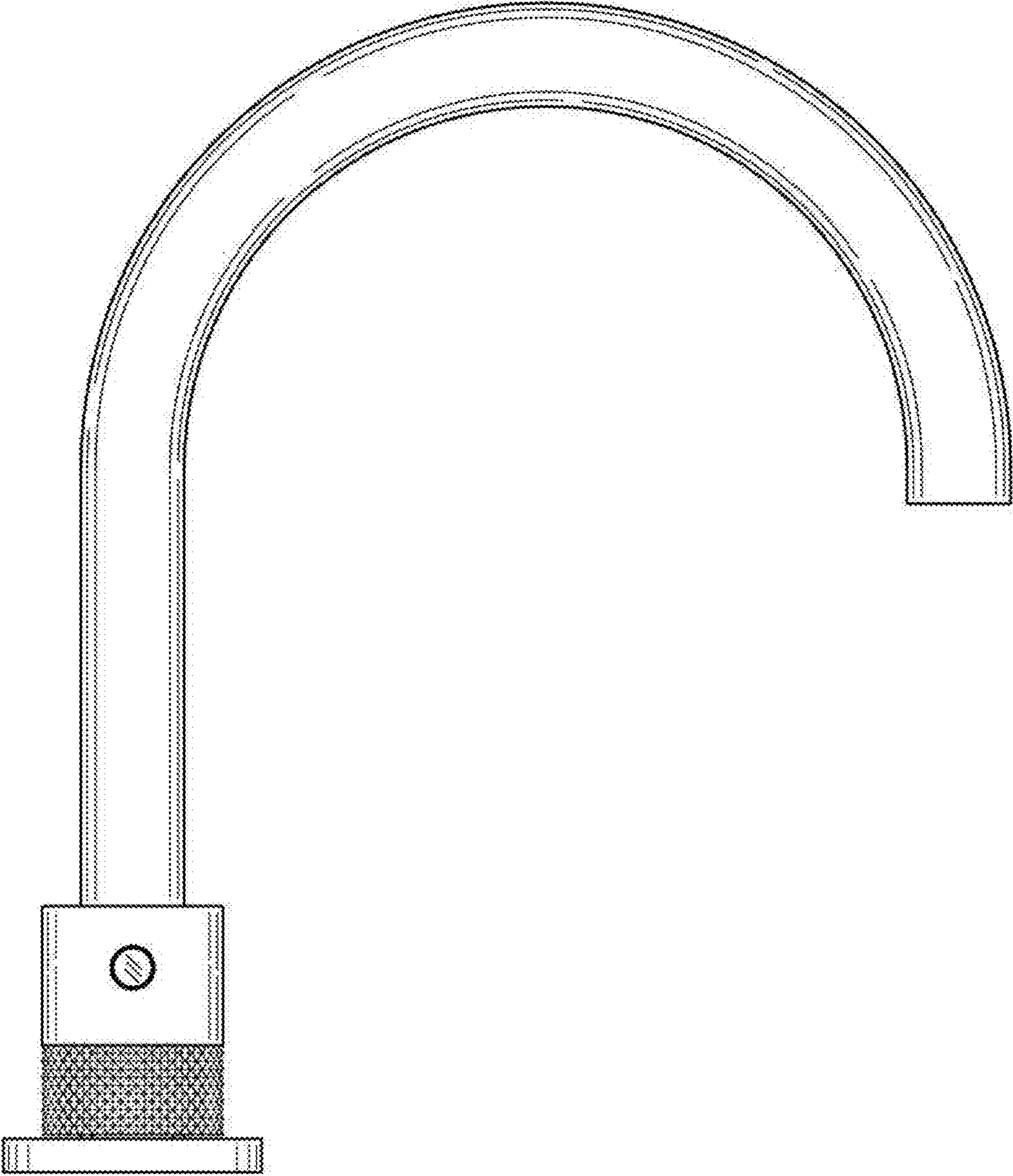


FIG. 4

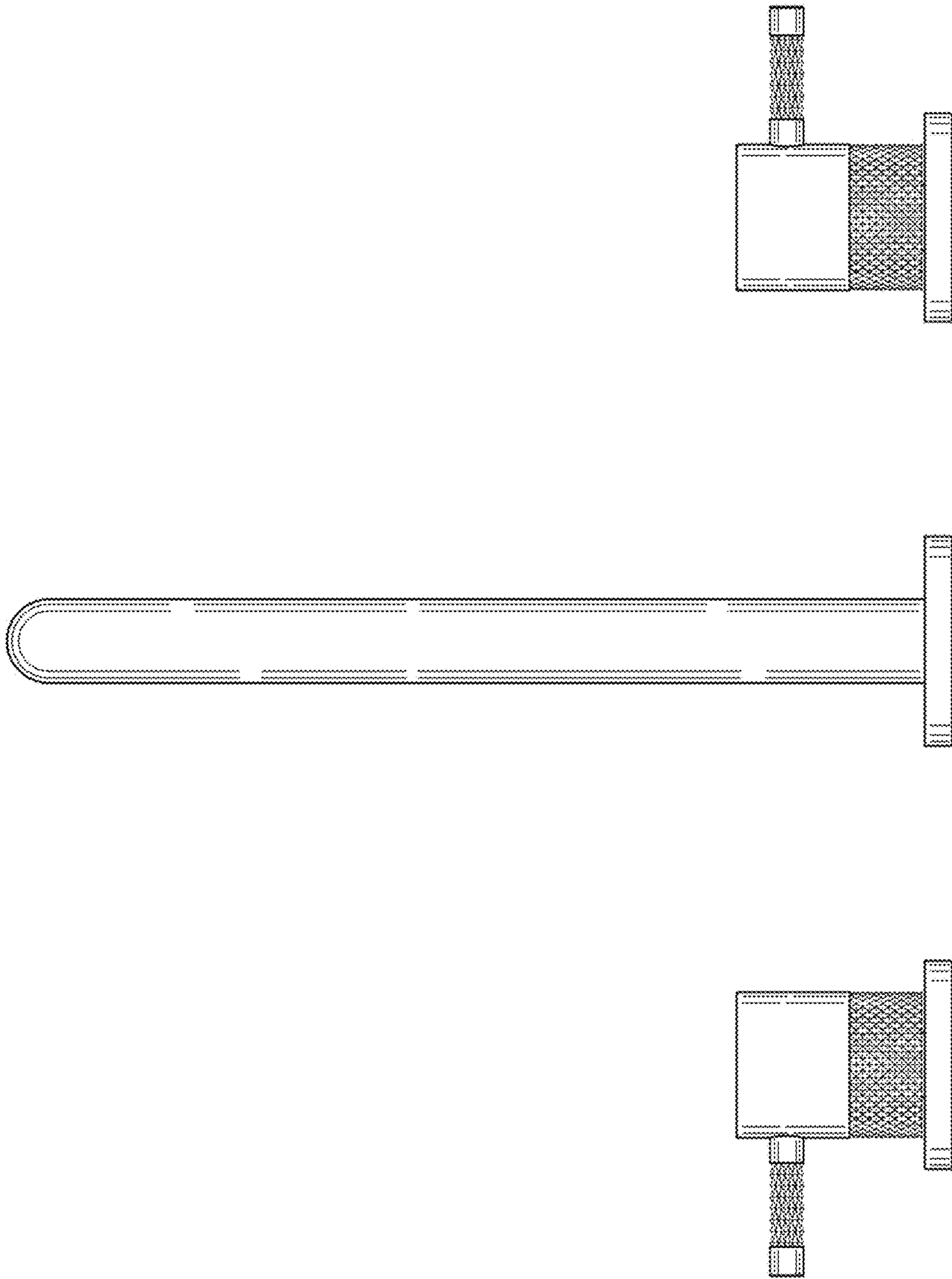


FIG. 5

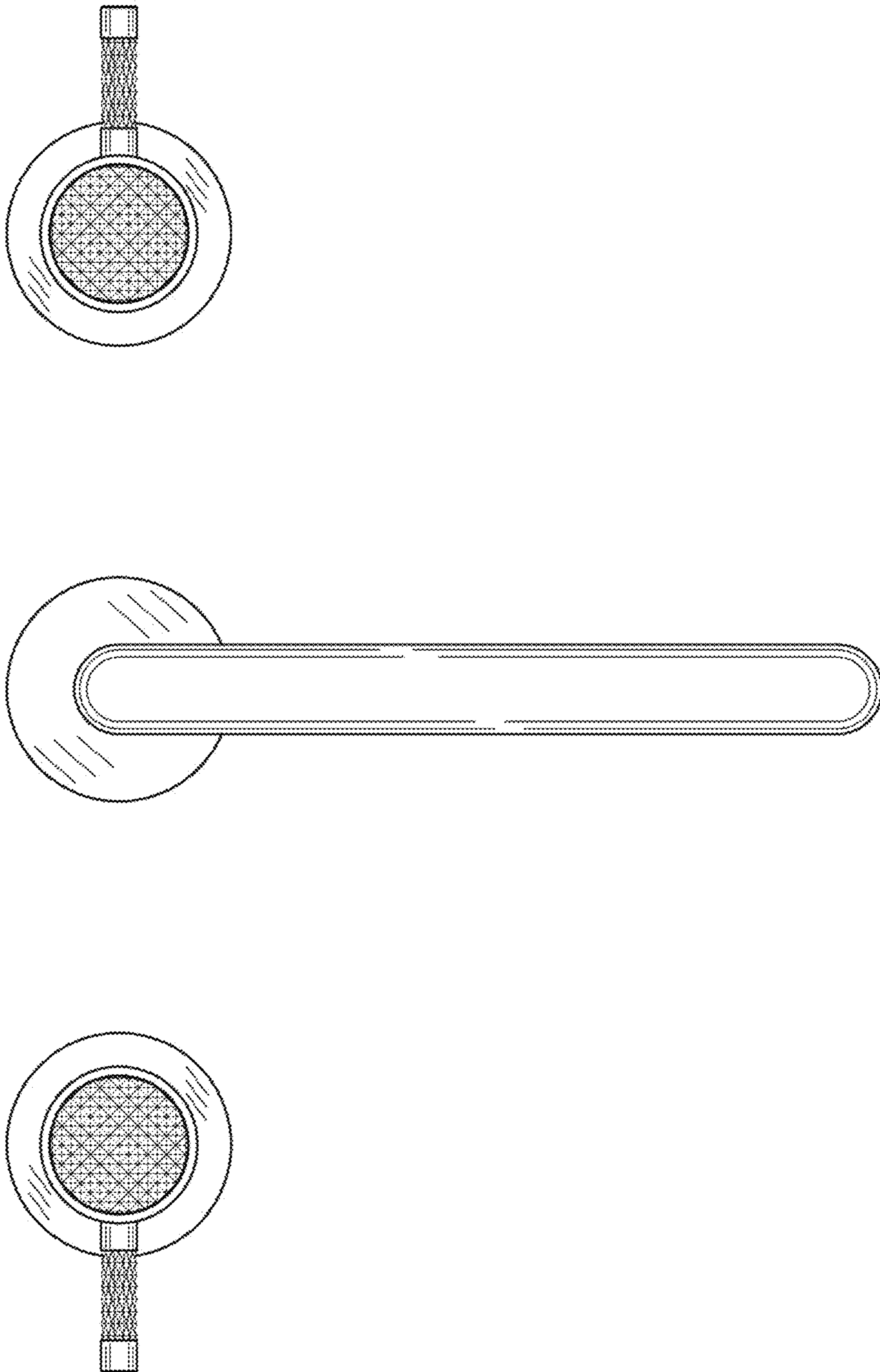


FIG. 6