



US0D1046924S

(12) **United States Design Patent**
Zhu

(10) **Patent No.:** **US D1,046,924 S**

(45) **Date of Patent:** **** Oct. 15, 2024**

(54) **INFLATOR**

(71) Applicant: **Lizhang Zhu**, Dongguan (CN)

(72) Inventor: **Lizhang Zhu**, Dongguan (CN)

(**) Term: **15 Years**

(21) Appl. No.: **29/951,523**

(22) Filed: **Jul. 10, 2024**

(51) **LOC (14) Cl.** **15-02**

(52) **U.S. Cl.**
USPC **D15/7; D15/9**

(58) **Field of Classification Search**
USPC D8/61, 68; D15/7-9; D24/111, 108,
D24/110; D10/57; D28/9, 57, 62, 93,
D28/99; D7/300-321
CPC F04B 39/102; F04B 33/005; F04B 53/14;
F04B 53/92; F04B 33/00; F04B 1/005;
F16L 37/18; F16L 37/20; F04D 13/06;
F04D 29/22; F04D 29/046; F04D
29/2266; F16K 11/048; F16K 15/20;
F16K 31/602

See application file for complete search history.

(56) **References Cited**

U.S. PATENT DOCUMENTS

D669,095 S	*	10/2012	Chang	D15/7
D762,564 S	*	8/2016	Patton	D13/103
D842,490 S	*	3/2019	Gan	D24/215
D855,658 S		8/2019	Zhang		
D873,861 S	*	1/2020	Mao	D15/7
D873,862 S	*	1/2020	Mao	D15/7
D876,486 S	*	2/2020	Chen	D15/9
D902,146 S	*	11/2020	Murmanski	D13/102
D905,119 S	*	12/2020	Wang	D15/7
D926,229 S	*	7/2021	He	D15/7
D952,691 S	*	5/2022	Ding	D15/7

D962,295 S	*	8/2022	Chen	D15/7
D1,002,674 S		10/2023	Lin		
D1,024,137 S	*	4/2024	Xu	D15/7
D1,034,703 S	*	7/2024	Zhang	D15/7

OTHER PUBLICATIONS

Wolfbox, 12000mAh&150PSI Tire Inflator, (first available Apr. 26, 2024), Amazon.com, URL:<<https://www.amazon.com/WOLFBOX-12000mAh-Inflator-Portable-Compressor/dp/B0D2R6X1N5>> (Year: 2024).*

(Continued)

Primary Examiner — Calvin E Vansant

Assistant Examiner — Mark T. Philipps

(74) *Attorney, Agent, or Firm* — Jeenam Park

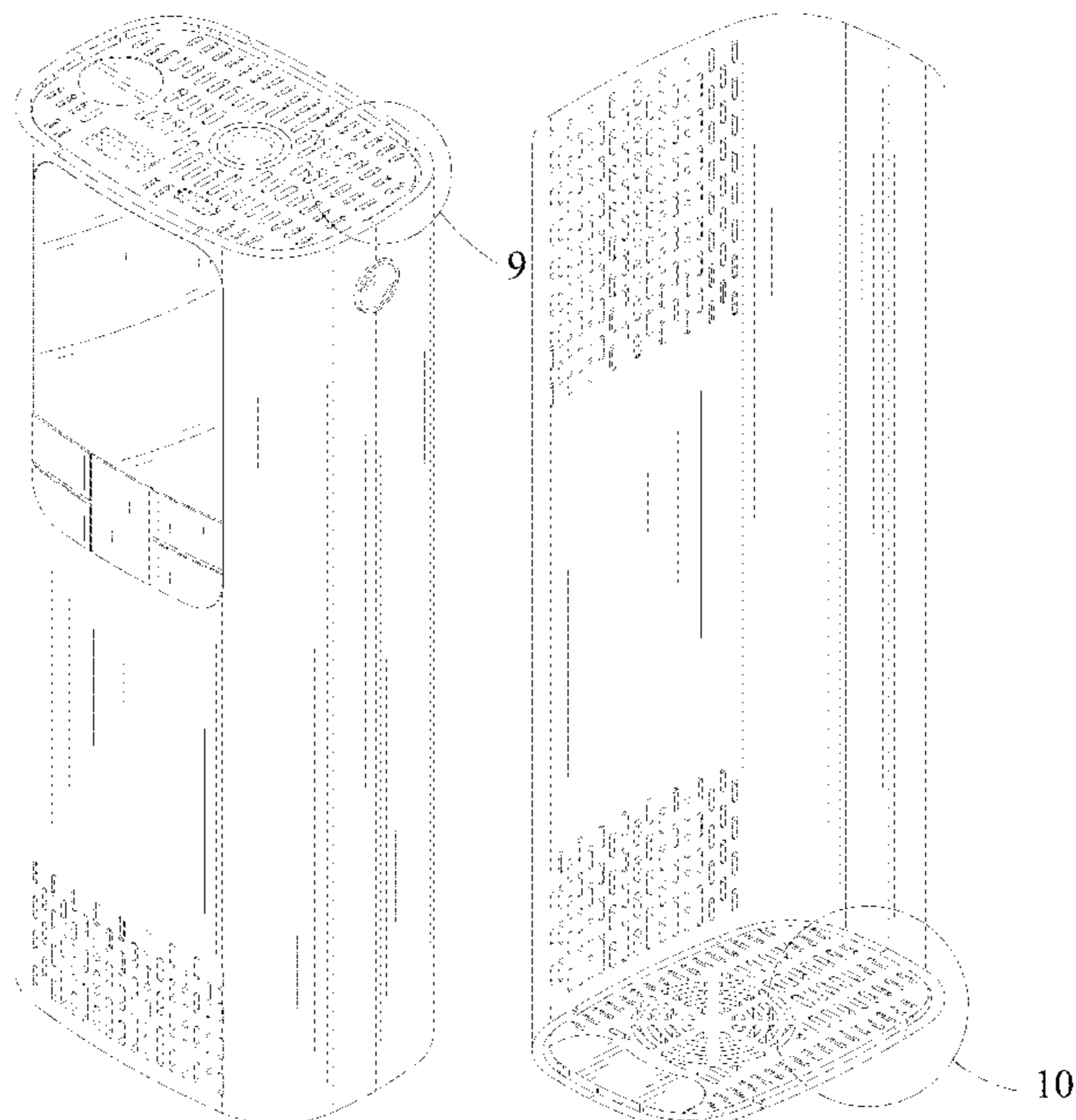
(57) **CLAIM**

The ornamental design for an inflator, as shown and described.

DESCRIPTION

FIG. 1 is a front, right and top perspective view of an inflator, showing my new design;
FIG. 2 is a rear, left and bottom perspective view thereof;
FIG. 3 is a front view thereof;
FIG. 4 is a rear view thereof;
FIG. 5 is a left side view thereof;
FIG. 6 is a right side view thereof;
FIG. 7 is an enlarged top plan view thereof;
FIG. 8 is an enlarged bottom plan view thereof;
FIG. 9 is an enlarged view of portion 9 of FIG. 1 thereof; and,
FIG. 10 is an enlarged view of portion 10 of FIG. 2 thereof.
The broken lines shown in the drawings illustrate portions of the inflator that form no part of the claimed design.
The dot-dash broken lines depict the boundaries of the enlargements that form no part of the claimed design.

1 Claim, 10 Drawing Sheets



(56)

References Cited

OTHER PUBLICATIONS

Towertop, Tire Inflator Portable Air Compressor, (first available Nov. 21, 2023), Amazon.com, URL:<<https://www.amazon.com/TowerTop-Tire-Inflator-Portable-Compressor/dp/B0CL6K8Y58>> (Year: 2023).*

Gooloo, GT160 Tire Inflator Portable Air Compressor, (first available Mar. 30, 2023), Amazon.com, URL:<<https://www.amazon.com/GOOLOO-Inflator-Portable-Compressor-Auto-Shutoff/dp/B0BYVGS8Y6>> (Year: 2023).*

Temola, Tire Inflator Portable Air Compressor, (first available May 26, 2023), Amazon.com, URL:<<https://www.amazon.com/dp/B0C6DCPDHX>> (Year: 2023).*

* cited by examiner

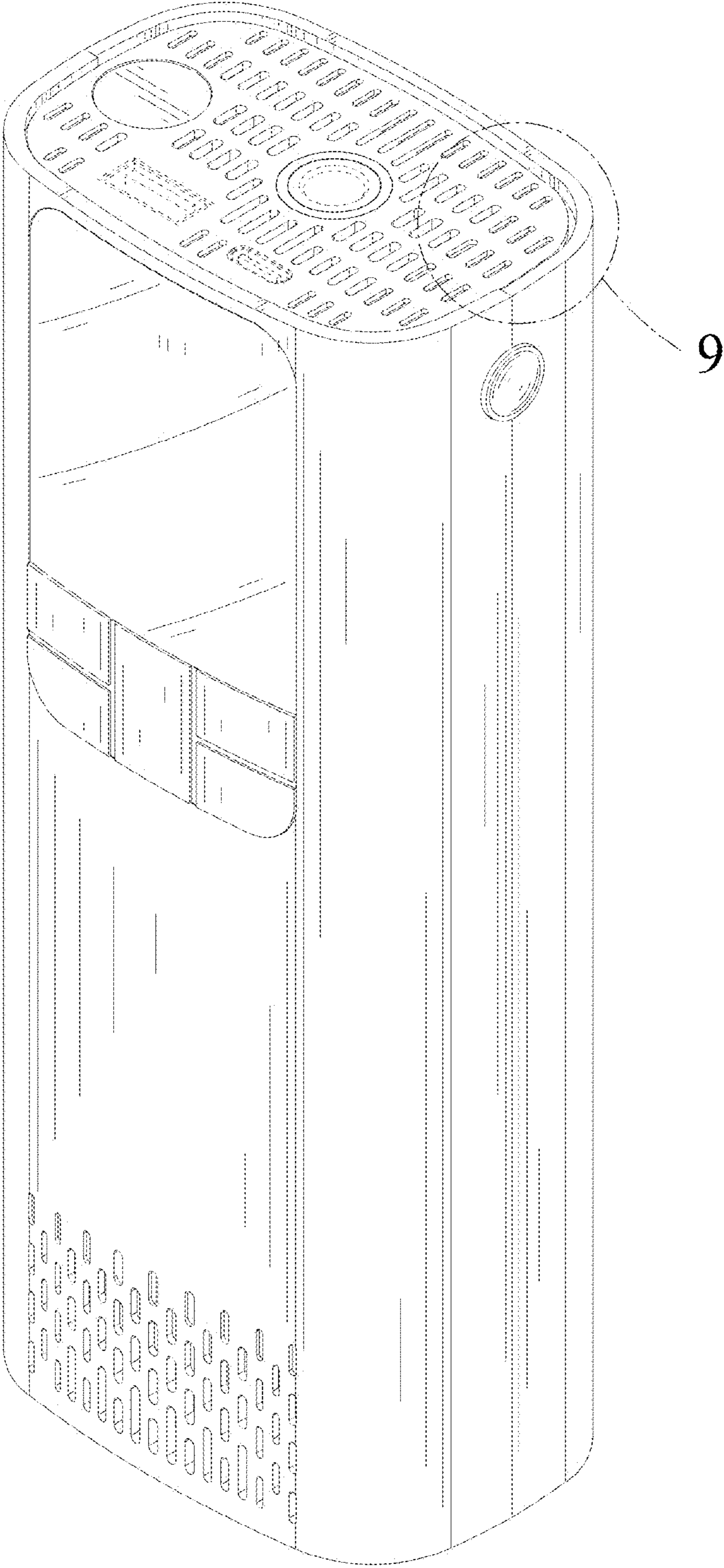


FIG. 1

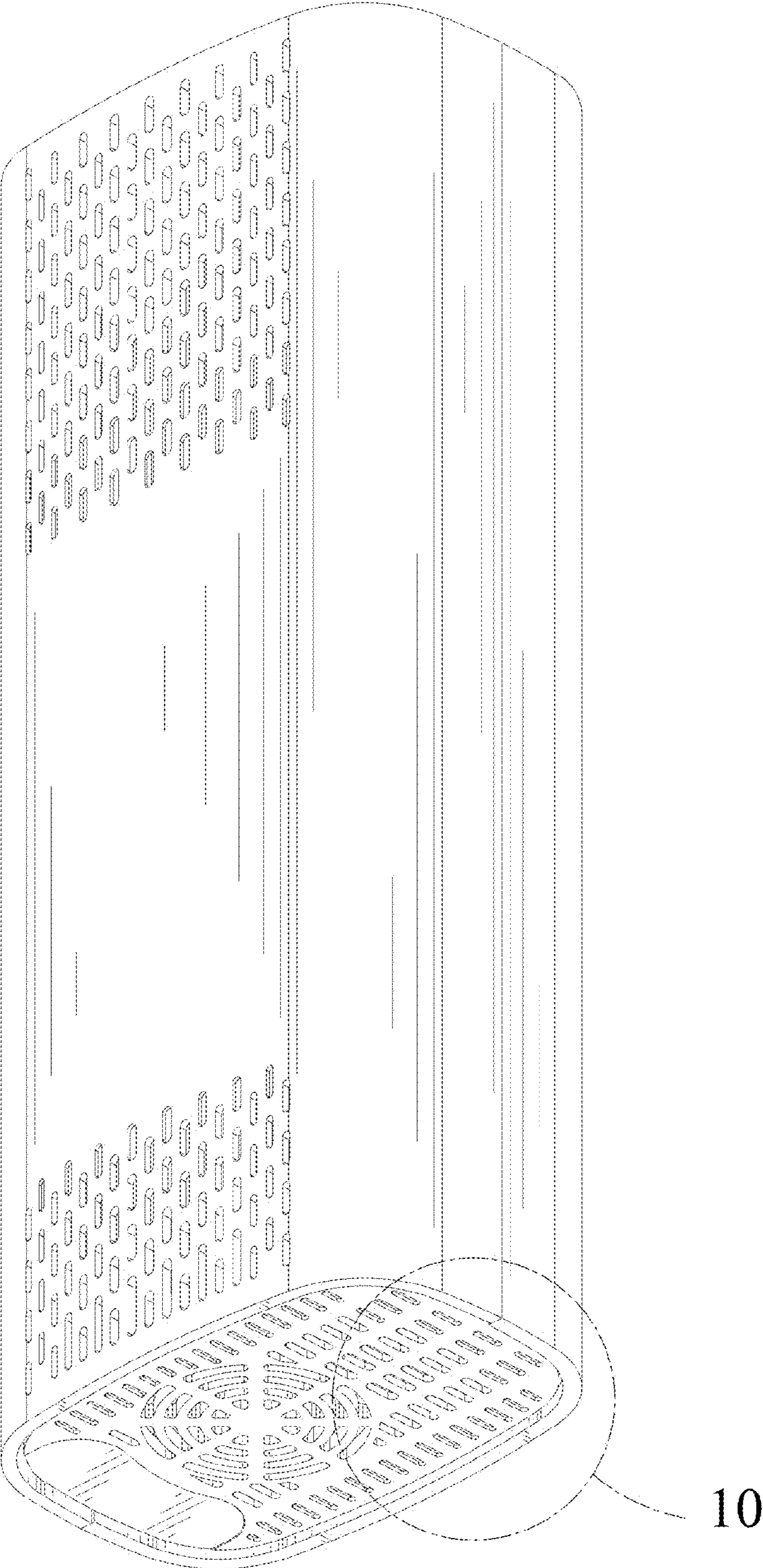


FIG. 2

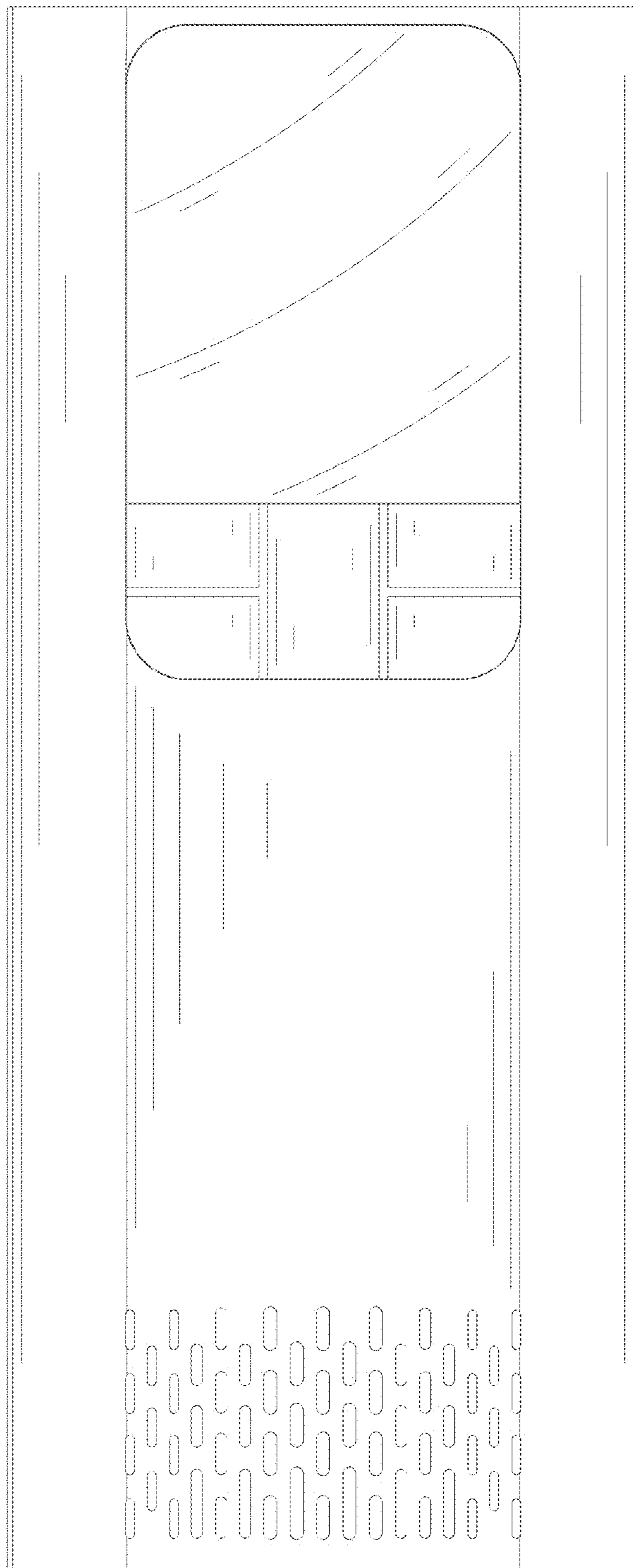


FIG. 3

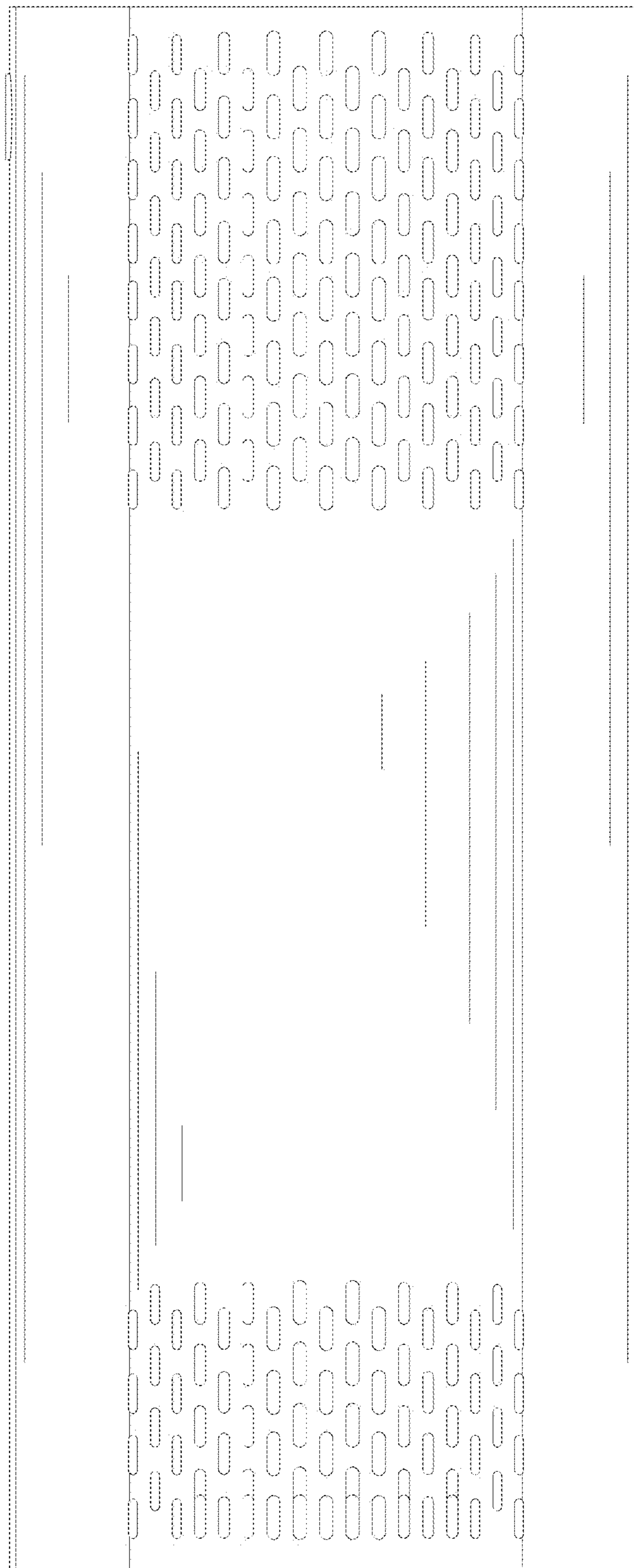


FIG. 4

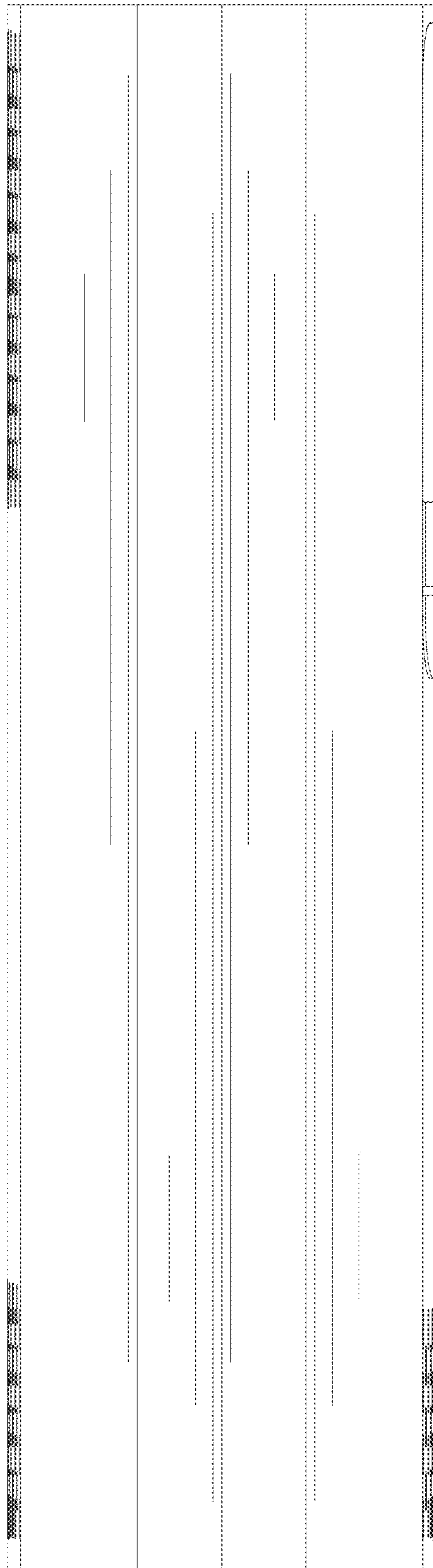


FIG. 5

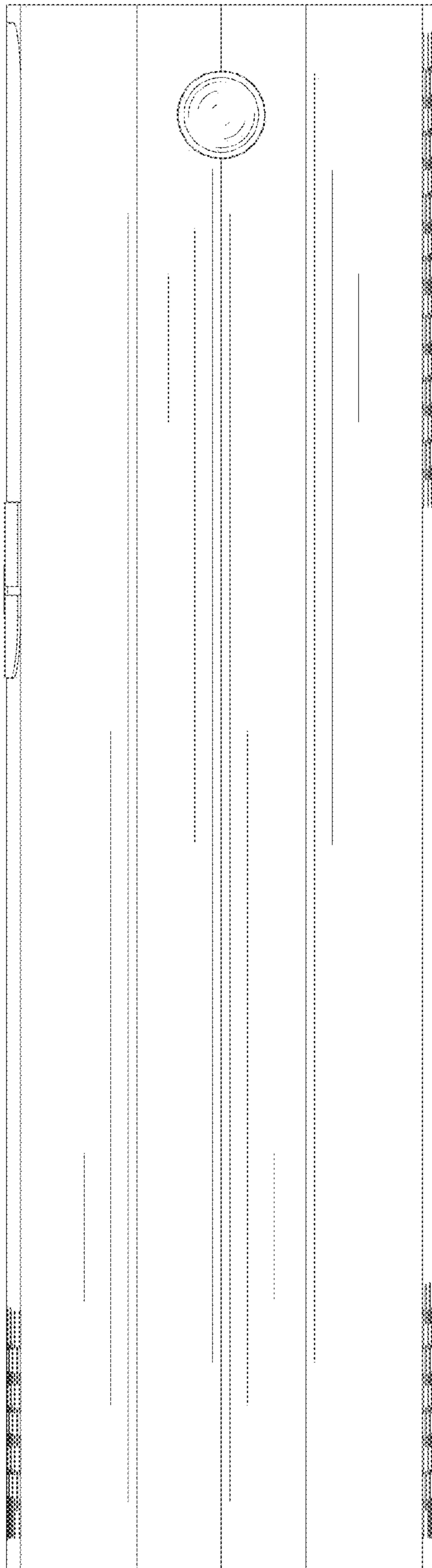


FIG. 6

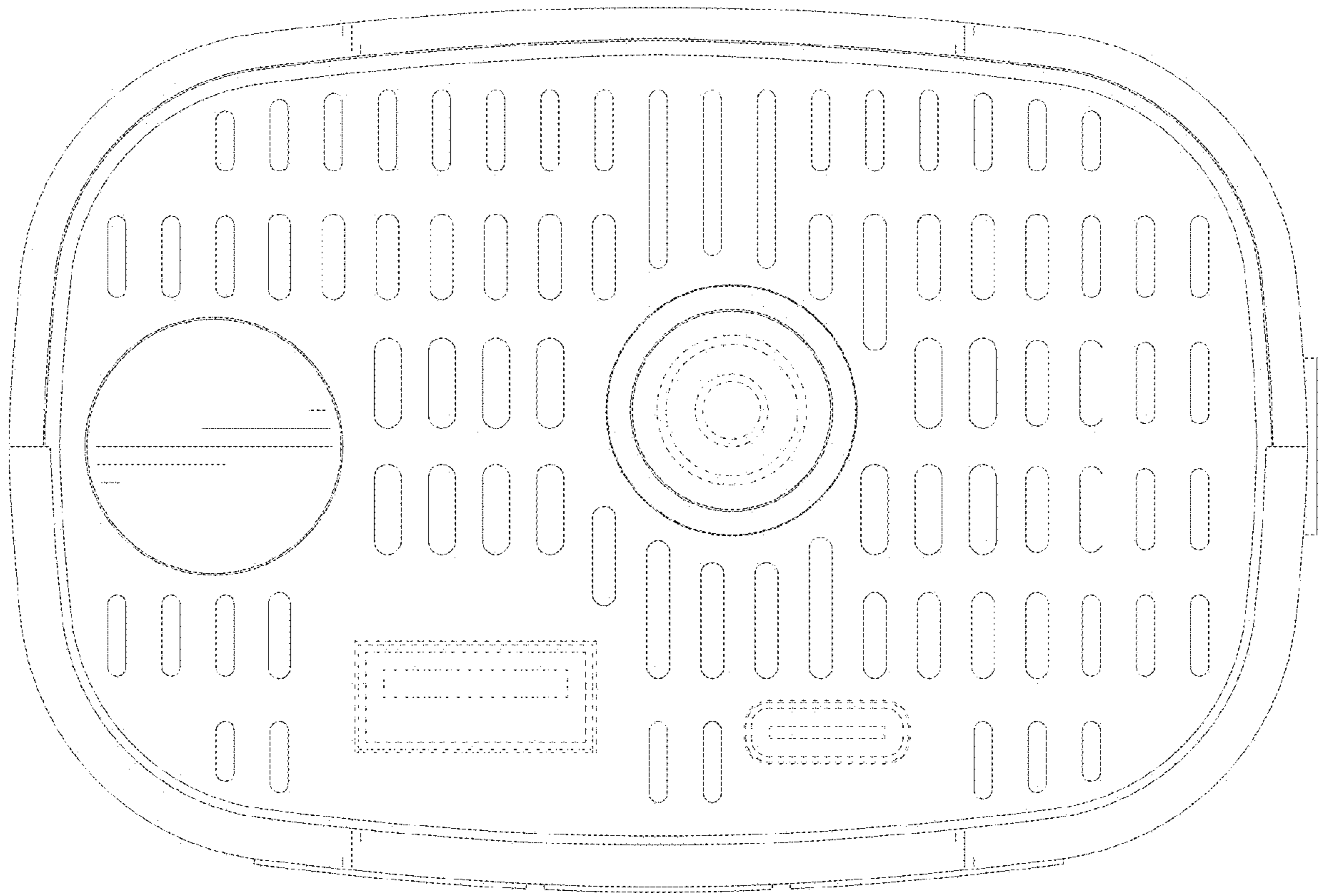


FIG. 7

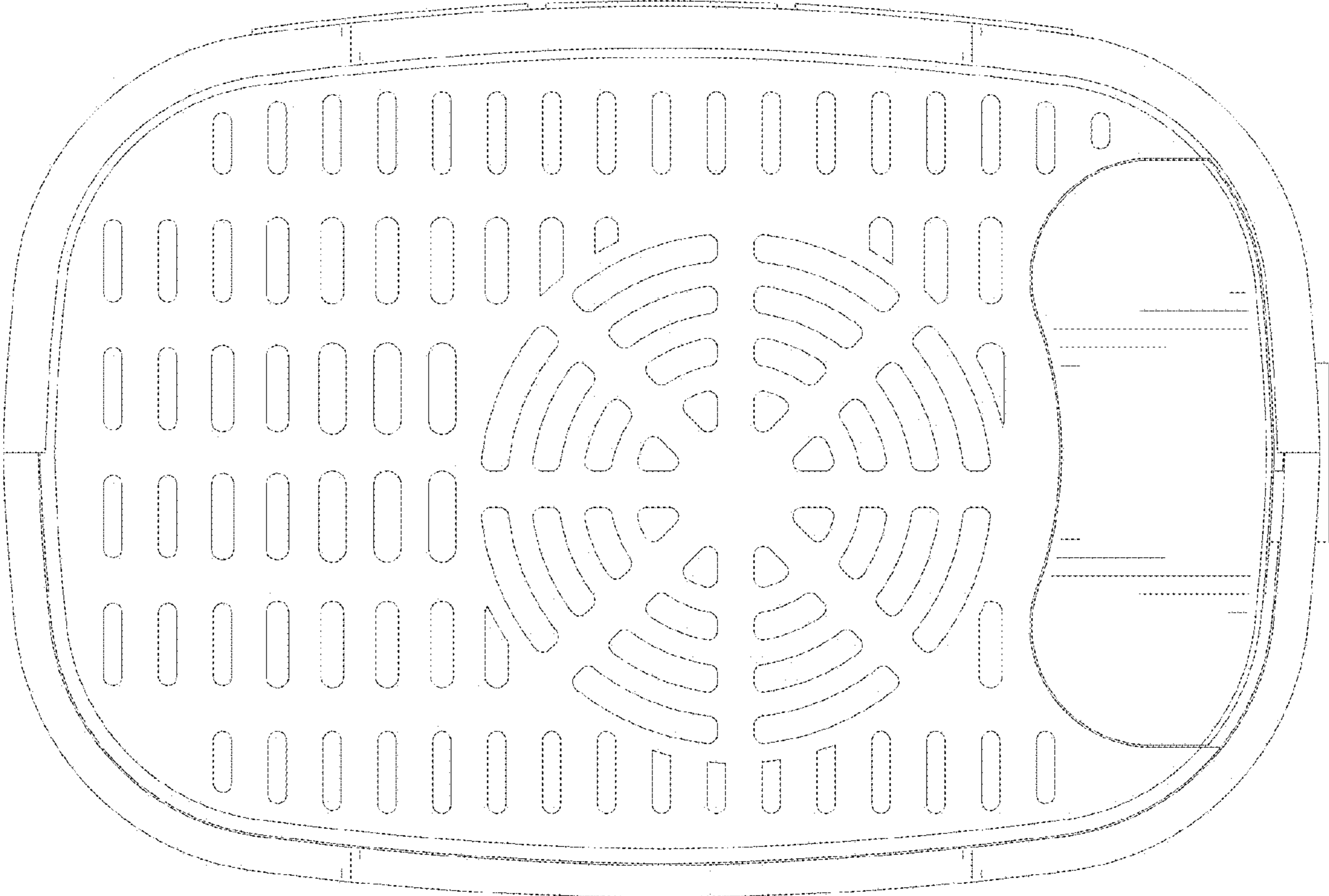


FIG. 8

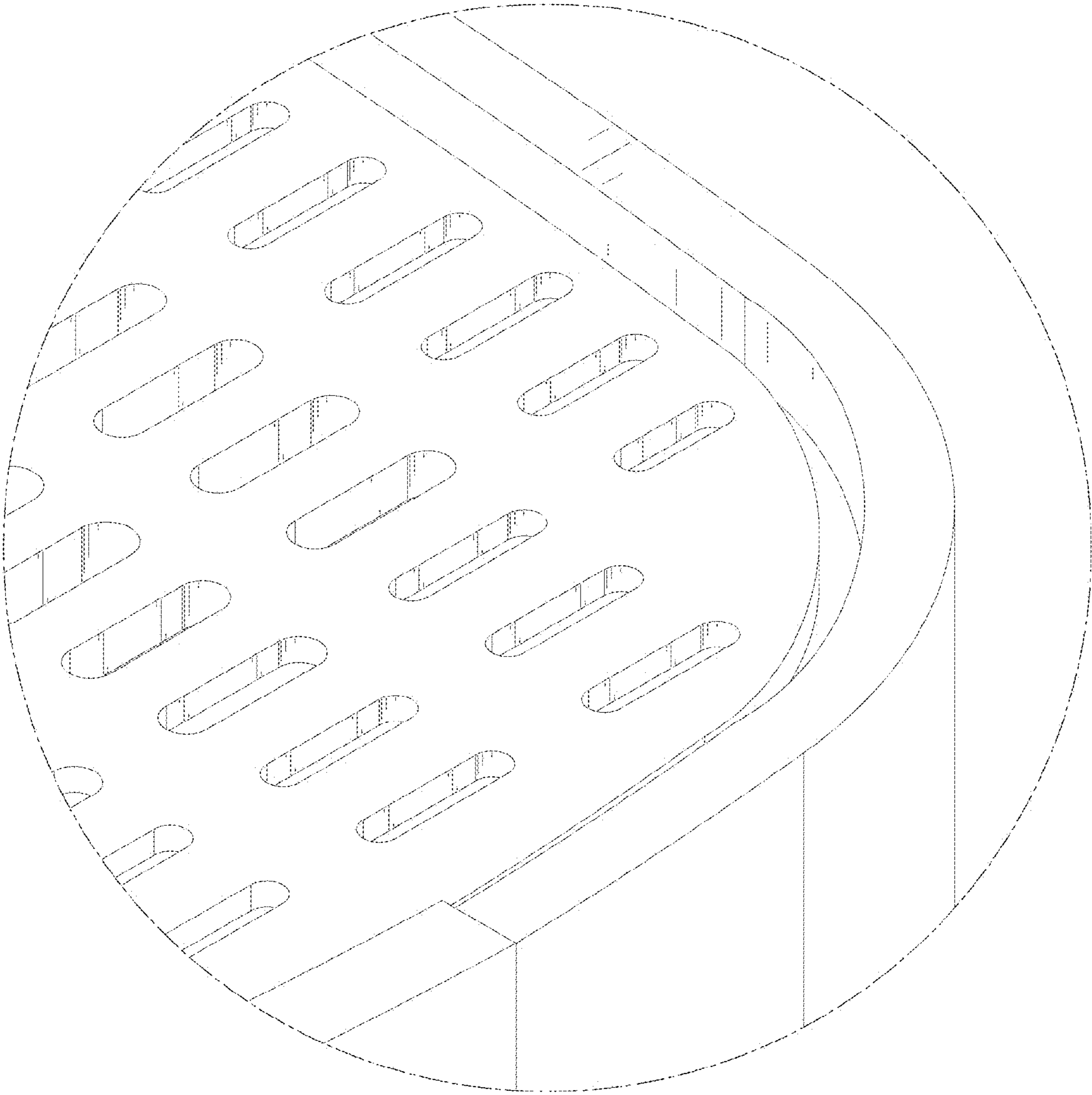


FIG. 9

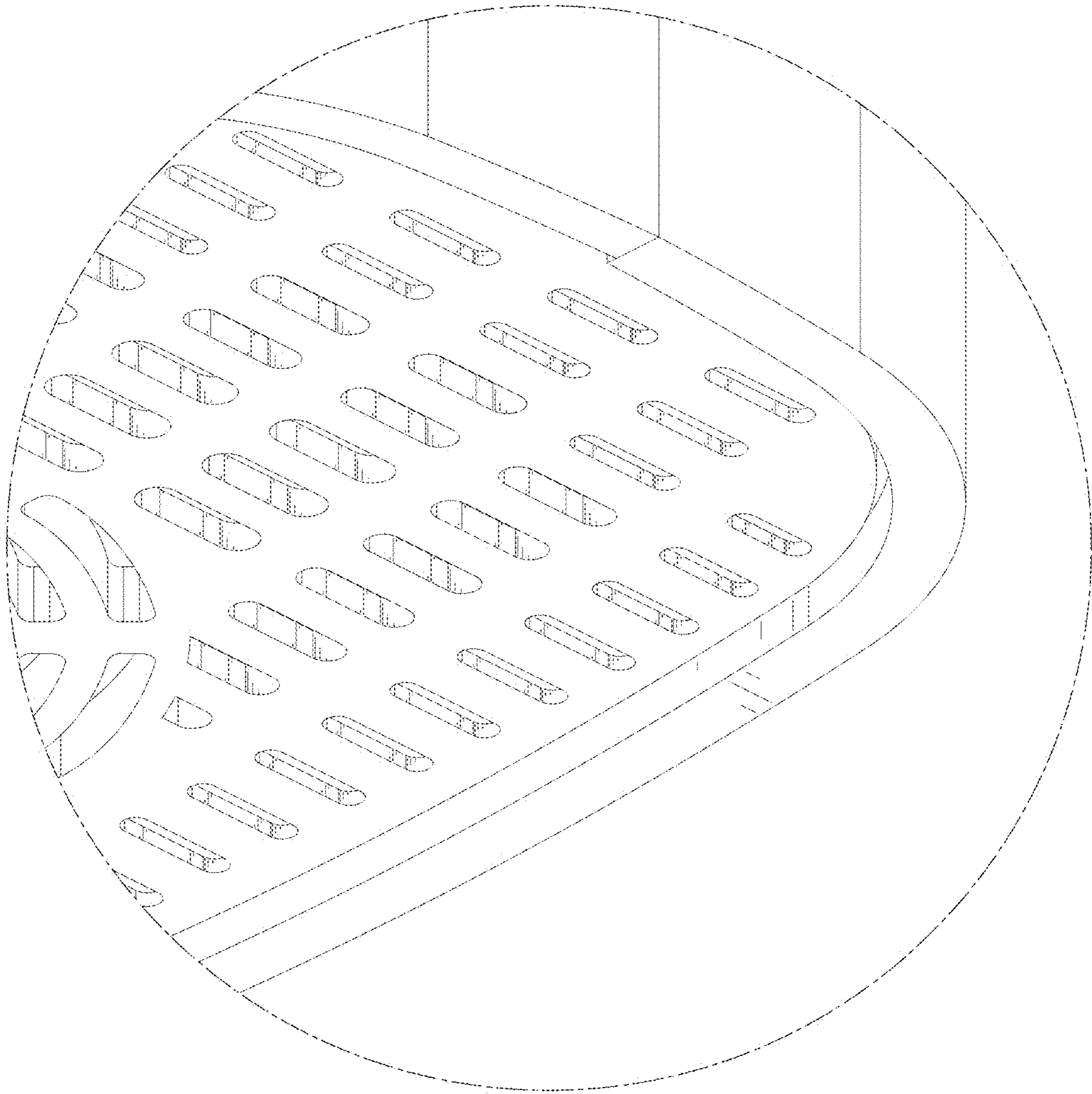


FIG. 10