



US0D1046875S

(12) **United States Design Patent** (10) **Patent No.:** **US D1,046,875 S**
Du et al. (45) **Date of Patent:** **** Oct. 15, 2024**

(54) **RACK SERVER BEZEL**

FOREIGN PATENT DOCUMENTS

(71) Applicant: **HEWLETT PACKARD ENTERPRISE DEVELOPMENT LP**,
Houston, TX (US)

CN 304572476 S 4/2018
CN 305860235 S 6/2020

(72) Inventors: **Yinggang Du**, Houston, TX (US); **Jo Han Huang**, Taipei (TW); **Kevin Liu**,
Taipei (TW); **Keith Kuehn**, Magnolia,
TX (US)

OTHER PUBLICATIONS

American Dynamics VideoEdge NVR 4.2, posted Mar. 22, 2015 [online, date sourced from "Q&A" section], [retrieved Nov. 22, 2023]. Retrieved from internet, https://www.bhphotovideo.com/c/product/965273-REG/american_dynamics_adver36r5d1d_videoedge_nvr_4_2_2u.html/qa (Year: 2015).*

(73) Assignee: **Hewlett Packard Enterprise Development LP**, Spring, TX (US)

(Continued)

(**) Term: **15 Years**

Primary Examiner — Marie D. Fast Horse

Assistant Examiner — Josiah D. Parsons

(74) *Attorney, Agent, or Firm* — Sheppard Mullin

(21) Appl. No.: **29/831,551**

(57) **CLAIM**

The ornamental design for a rack server bezel, as shown and described.

(22) Filed: **Mar. 21, 2022**

(51) **LOC (14) Cl.** **14-02**

(52) **U.S. Cl.**
USPC **D14/441**

DESCRIPTION

(58) **Field of Classification Search**
USPC D14/300, 301, 308, 310, 311, 312, 313,
D14/348, 349, 353, 354, 355, 356, 357,
D14/363, 368, 369, 370, 432, 433, 434,
D14/435, 436, 441, 442, 444, 445, 446,
D14/498, 502, 504, 135, 164, 299, 496,
D14/125, 160, 161, 162, 167, 168, 217,
D14/203.1, 238.1, 257; D23/387, 388

FIG. 1 is a front perspective view of a rack server bezel the rack server bezel having the claimed design.

FIG. 2 is a top view of the rack server bezel of FIG. 1.

FIG. 3 is a bottom view of the rack server bezel of FIG. 1.

FIG. 4 is a left side view of the rack server bezel of FIG. 1.

FIG. 5 is a right side view of the rack server bezel of FIG. 1.

FIG. 6 is a front view of the rack server bezel of FIG. 1; and, FIG. 7 is a rear view of the rack server bezel of FIG. 1.

The dashed lines depict portions of rack server bezel that form no part of the claimed design. Dot-dashed lines depict unclaimed boundaries of the claimed design. Unshaded surfaces shown between a solid line and a dashed line, or between a dot-dashed line and a dashed line, form no part of the claimed design. Shaded surfaces between a solid line and a dot-dashed line are part of the claimed design.

(Continued)

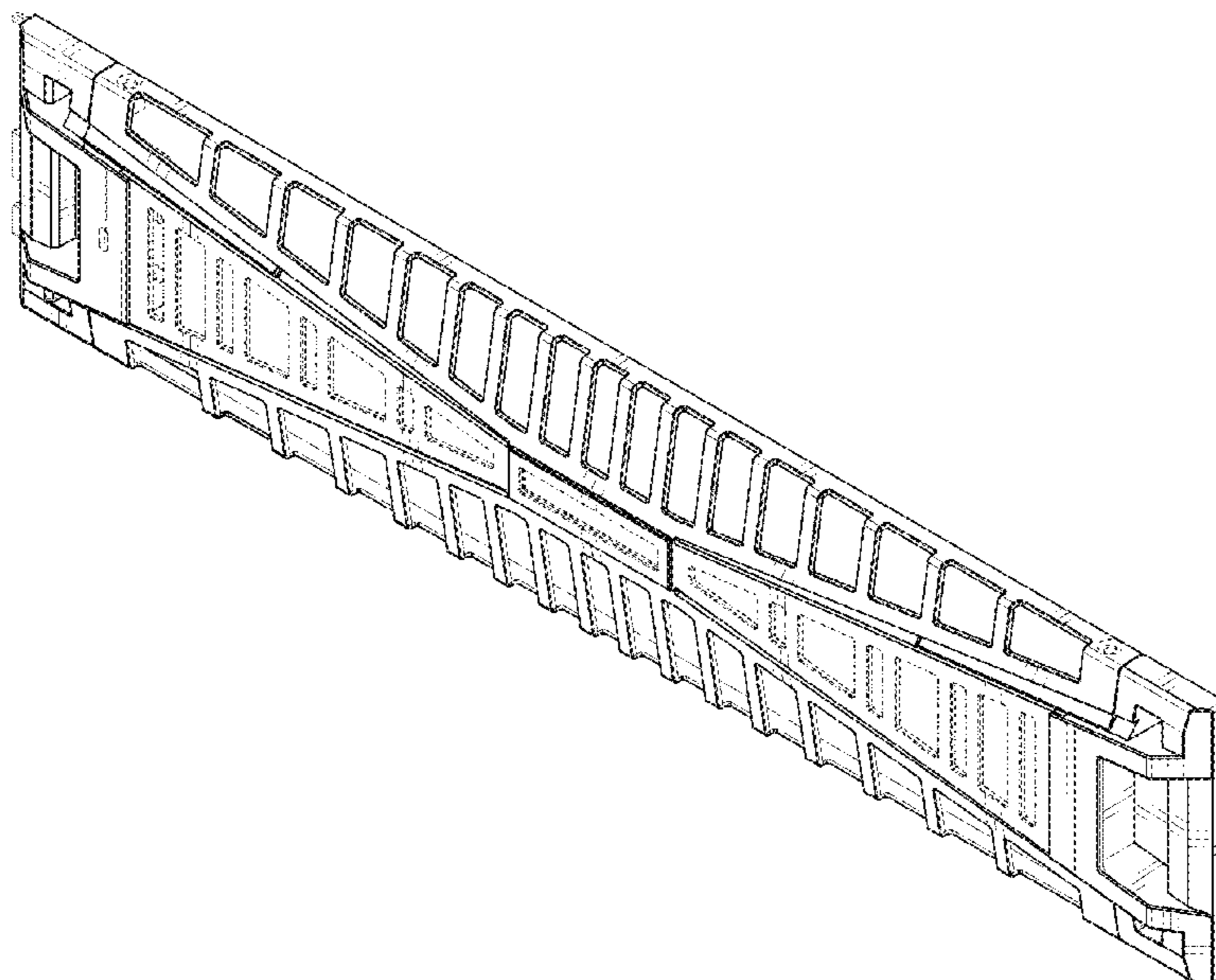
(56) **References Cited**

U.S. PATENT DOCUMENTS

D165,580 S * 1/1952 Hamlin D23/388
D290,744 S * 7/1987 Whitley, II D23/388

(Continued)

1 Claim, 7 Drawing Sheets



(58) **Field of Classification Search**

CPC G11B 33/125; G11B 33/128; G11B 33/02;
 G06F 1/181; H05K 5/0243; H05K 5/03;
 H05K 5/0213; H05K 7/1488; H05K 7/18;
 H05K 7/20; H05K 7/20181; H05K
 9/0062

See application file for complete search history.

(56) **References Cited**

U.S. PATENT DOCUMENTS

D338,662 S *	8/1993	Sharp	D14/445
D419,148 S *	1/2000	Foslien	D14/441
D419,983 S *	2/2000	Foslien	D14/441
D495,712 S *	9/2004	Chen	D14/441
D511,521 S *	11/2005	Schmidt	D14/441
D511,777 S *	11/2005	Schmidt	D14/441
D517,191 S *	3/2006	Berger	D23/388
D575,779 S *	8/2008	Dearborn	D14/300
D580,444 S	11/2008	Dearborn et al.	
D581,933 S	12/2008	Dearborn et al.	
D583,383 S *	12/2008	Saylor	D14/441
D585,447 S *	1/2009	Chen	D14/349
D593,565 S	6/2009	Dearborn et al.	
D617,800 S *	6/2010	Kuehn	D14/441
D678,295 S	3/2013	Vaughan et al.	
D685,785 S *	7/2013	Seoc	D14/353
D699,720 S *	2/2014	Kuehn	D14/441
D727,920 S *	4/2015	Togawa	D14/441

D732,041 S	6/2015	Conn et al.	
D763,246 S *	8/2016	Jasinski	D14/300
D798,303 S *	9/2017	Baik	D14/445
D801,977 S	11/2017	Crisp et al.	
D822,029 S *	7/2018	Crisp	D14/445
D840,406 S	2/2019	Caggiani	
D869,427 S *	12/2019	Zhong	D14/511
D882,576 S *	4/2020	Crisp	D14/432
D896,807 S	9/2020	Li	
D955,382 S *	6/2022	Park	D14/348
D994,662 S *	8/2023	Ju	D14/441
2007/0044408 A1 *	3/2007	Hsu	H05K 7/1487 312/223.1
2013/0035032 A1 *	2/2013	Schneider	H05K 7/20181 454/278
2022/0030734 A1 *	1/2022	Zhong	G06F 1/181

OTHER PUBLICATIONS

Aerocool, "Cronus ARGB Mid Tower Case", available online at <<https://aerocool.io/product/cronus/>>, 2022, 18 pages.
 Antesports, "Ant Esports ICE-200TG Mid Tower Gaming Cabinet", available online at <<https://antesports.com/product/ant-esports-ice-200tg-mid-tower-gaming-cabinet/>>, 2020, 4 pages.
 Dell, "Dell PowerEdge R710", Dec. 2012, 2 pages.
 Dell, "Dell PowerEdge R910", Sep. 2013, 2 pages.
 HP, "HP ProLiant DL360 Gen9 Server", Datasheet, HP ProLiant DL360 Gen9 Server, Sep. 2014, 2 pages.

* cited by examiner

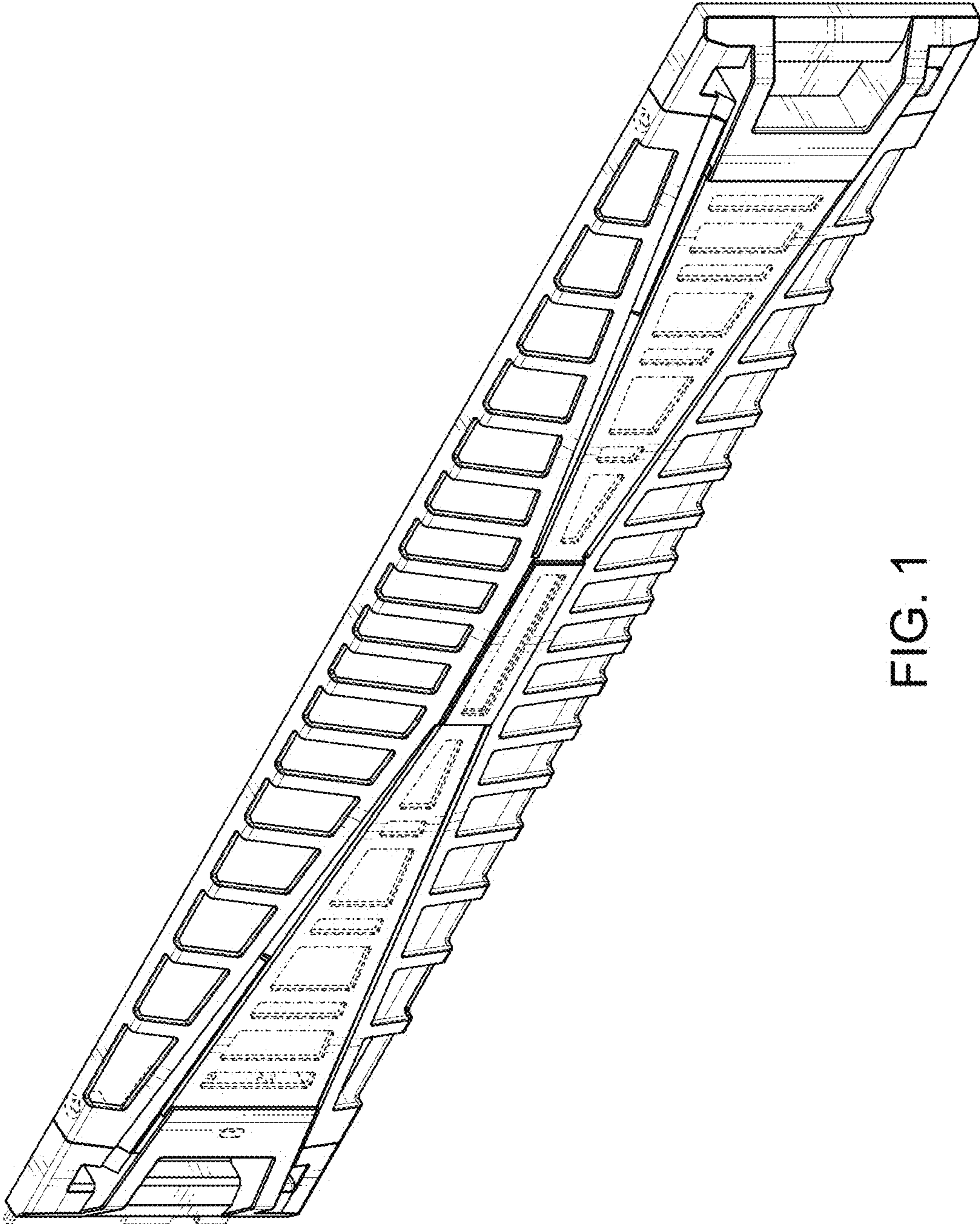


FIG. 1

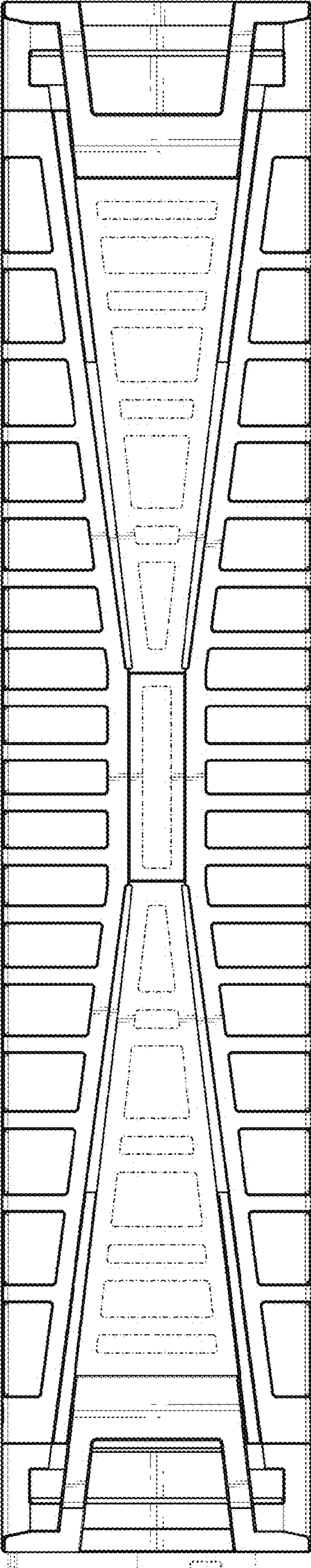


FIG. 2

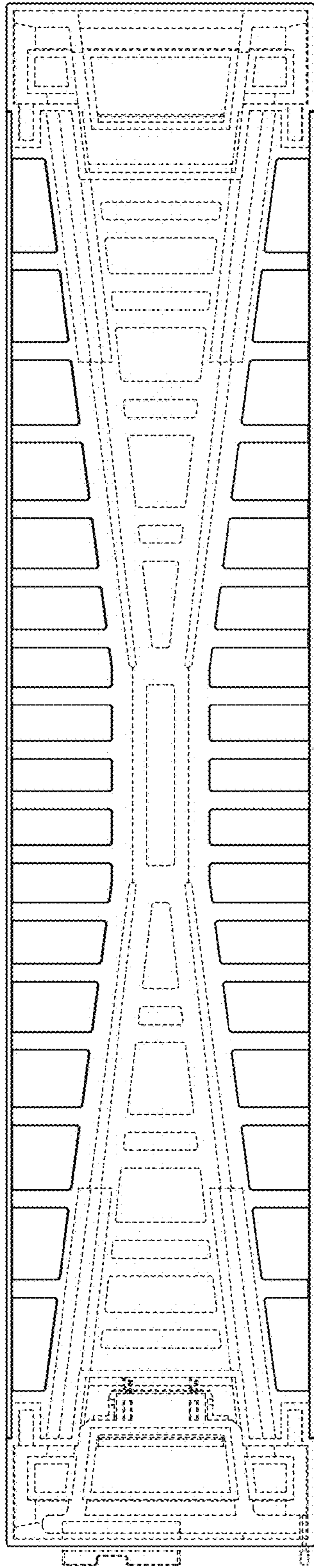


FIG. 3

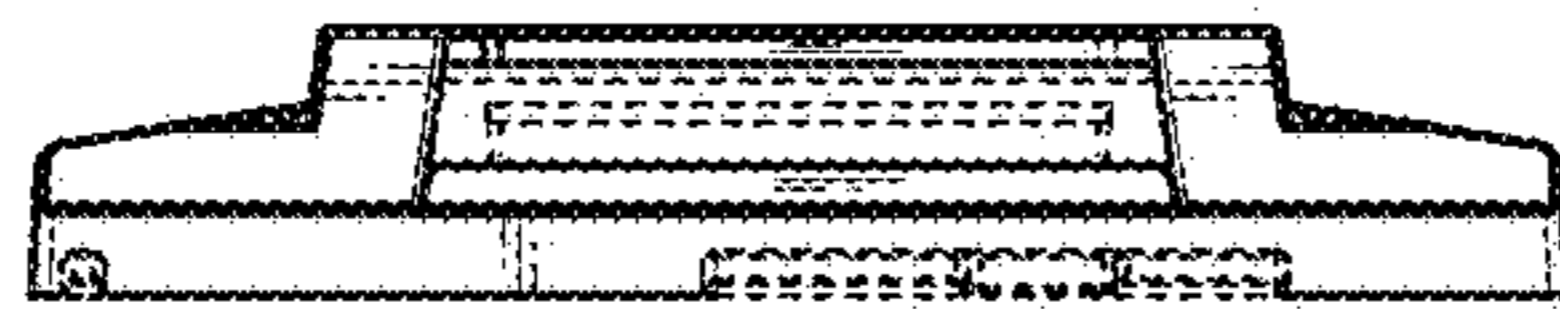


FIG. 4

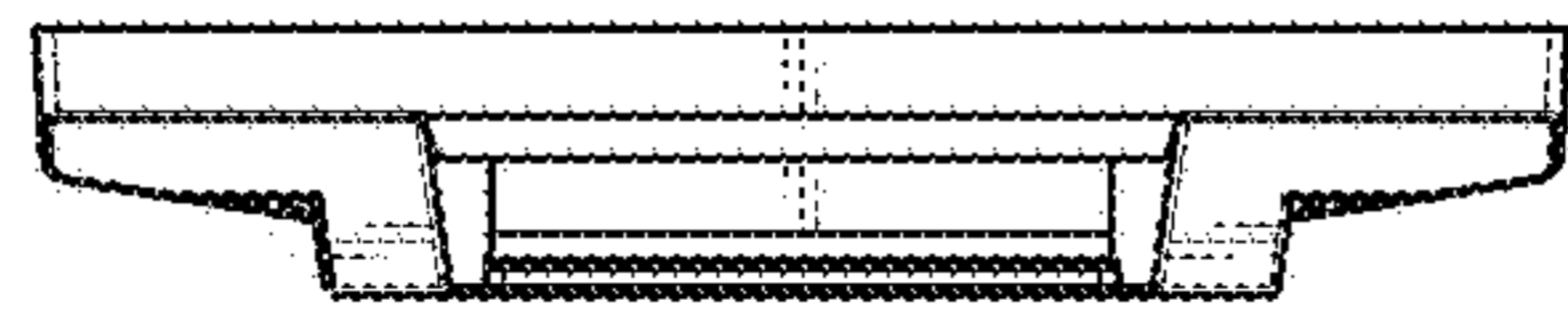


FIG. 5

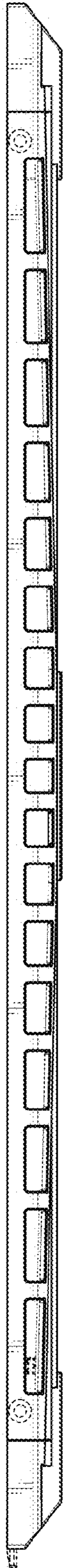


FIG. 6

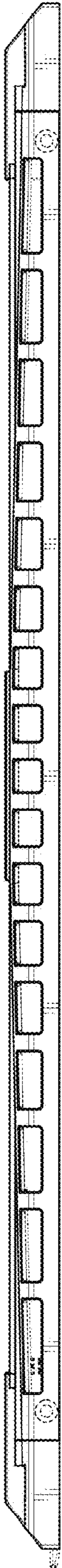


FIG. 7