



US0D1046865S

(12) **United States Design Patent** (10) **Patent No.: US D1,046,865 S**
Arenas de Jesus et al. (45) **Date of Patent: ** Oct. 15, 2024**

(54) **PEDESTAL SCANNER**

D26/74-86, 88-91, 25; D13/180, 182;
362/150, 217.01-217.9, 217.1, 217.12,
362/217.13, 260, 364, 365, 366, 404, 555,
(Continued)

(71) Applicant: **Amazon Technologies, Inc.**, Seattle,
WA (US)

(72) Inventors: **Ana Maria Arenas de Jesus**, Seattle,
WA (US); **Sara Elizabeth Stille**,
Seattle, WA (US); **Spencer Ralph
Dodge**, Covington, WA (US)

(56) **References Cited**

U.S. PATENT DOCUMENTS

D223,349 S 4/1972 Minas
D268,150 S 3/1983 Hauser et al.
D276,315 S 11/1984 Collister
(Continued)

(73) Assignee: **Amazon Technologies, Inc.**, Seattle,
WA (US)

(**) Term: **15 Years**

OTHER PUBLICATIONS

(21) Appl. No.: **29/878,775**

Amazon One Palm Scanning System, <https://www.youtube.com/watch?app=desktop&v=rf7por-57yl> (Year: 2021).*
(Continued)

(22) Filed: **Jun. 27, 2023**

Related U.S. Application Data

(60) Continuation of application No. 29/866,034, filed on
Aug. 25, 2022, now Pat. No. Des. 995,527, which is
a division of application No. 29/747,201, filed on
Aug. 20, 2020, now Pat. No. Des. 962,239.

Primary Examiner — Susan Moon Lee
(74) *Attorney, Agent, or Firm* — Lee & Hayes, P.C.

(51) **LOC (14) Cl.** **14-02**

(57) **CLAIM**

The ornamental design for a pedestal scanner, as shown and
described.

(52) **U.S. Cl.**

USPC **D14/420**; D14/421

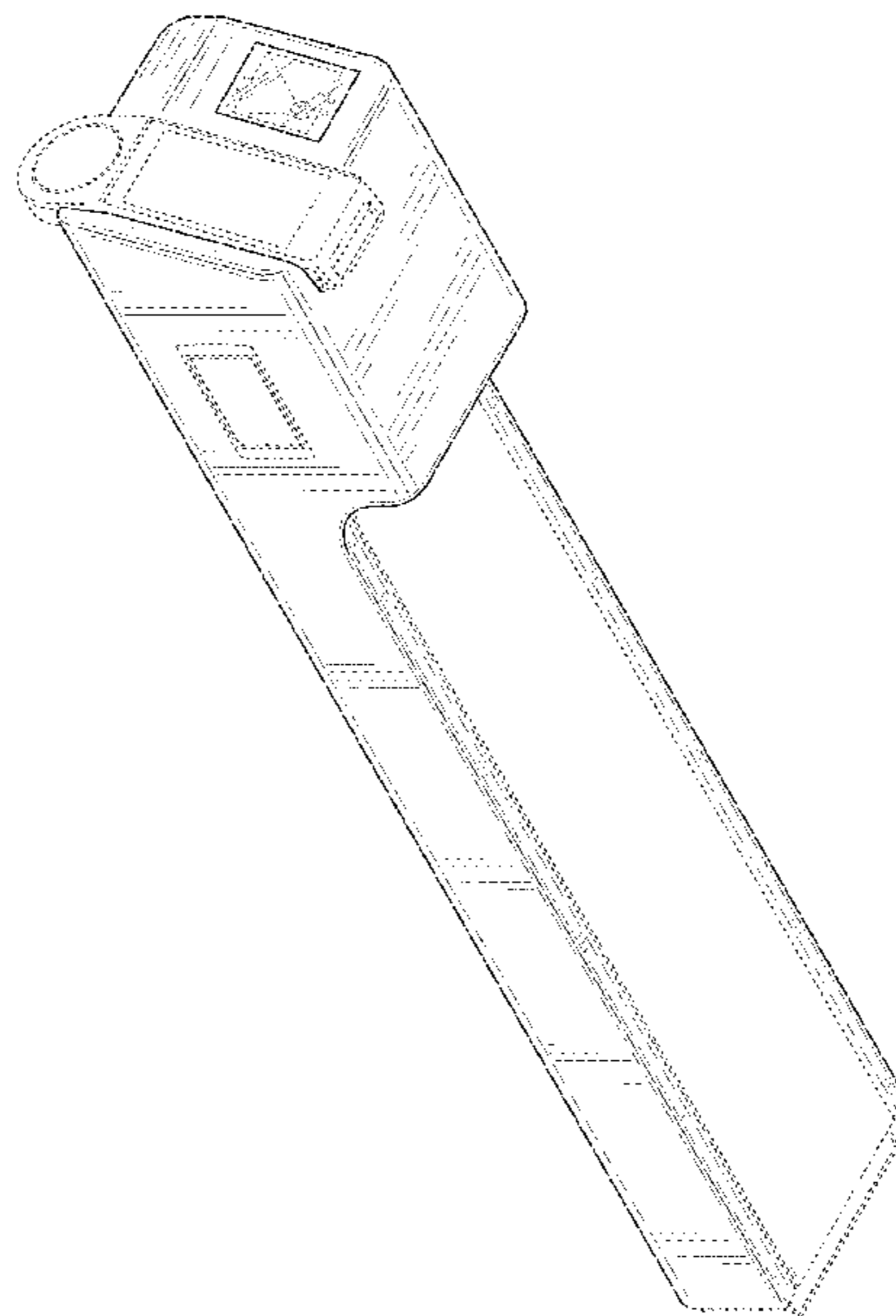
DESCRIPTION

(58) **Field of Classification Search**

USPC D14/421-425, 420, 434, 453; D18/55,
D18/49, 46, 40, 36-39, 41, 44, 45, 47,
D18/48, 50-54, 56; 235/462, 455, 470,
235/462.43, 482, 483, 462.21, 472.01,
235/435, 439, 440, 446, 454, 461, 462.32,
235/462.35, 462.41, 462.42, 463;
358/474, 486, 488, 496, 497, 498, 452,
358/449, 451, 453, 1.13; 318/685, 696;
355/81, 75; 399/405, 367, 379, 380;
382/217, 115; 715/209, 222, 226, 274;
400/613, 613.1-613.4, 690.1-690.4,
400/691-694; D26/1-3, 24, 56, 72,

FIG. 1 is a top, front, left-side perspective view of a pedestal
scanner;
FIG. 2 is a bottom, front, right-side perspective view thereof;
FIG. 3 is a front view thereof;
FIG. 4 is a back view thereof;
FIG. 5 is a left-side view thereof;
FIG. 6 is a right-side view thereof;
FIG. 7 is a top view thereof; and,
FIG. 8 is a bottom view thereof.
The dashed broken lines depict portions of the pedestal
scanner that form no part of the claimed design.

1 Claim, 8 Drawing Sheets



(58) **Field of Classification Search**

USPC 362/576, 800, 14, 148, 296.01; 340/5.52,
340/5.82; 713/186
CPC .. D07G 1/0036; D07G 1/0045; D07G 1/0063;
D07G 1/0072; D07G 1/009; G08B
13/1427; G08B 13/1472; G08B 13/1481;
G08B 13/194; G08B 13/246; G08B
13/2462; G08B 13/2465; A47F 9/04;
A47F 9/046; A47F 9/047; A47F 9/048;
A47F 10/02; A47F 2010/005; A47F
2010/025; G06K 7/10693; G06K
7/10712; G06K 7/10722; G06K 7/10792;
G06K 7/10801; G06K 7/10811; G06K
7/10831; G06K 7/10851; G06K 7/10861;
G06K 7/1096; G06K 7/1097; G06K
7/1098; G06K 7/12; G06K 7/14; G06K
7/1408; G06K 7/1413; G06K 7/1417;
G06K 7/1421; G06K 7/1426; G06K
7/143; G06K 7/1434; G06K 7/1439;
G06K 7/1443; G06K 7/1447; G06K
7/1452; G06K 7/1456; G06K 7/146;
G06K 7/1465; G06K 7/1469; G06K
7/1473; G06K 7/1478; G06K 7/1482;
G06K 7/1486; G06K 2007/10485; G06K
7/10544-10762; G06K 7/10821-10871;
G06K 7/1404-1495; G06K 2207/00;
G06K 2207/1011-1018; G01G 19/4144;
G01G 21/22; G01G 21/28; G01G 23/32;
G01G 23/34; G01G 23/35; G01G 23/375;
G01G 23/38; G01G 23/44; G07G 1/0063;
G07G 1/0072; G07G 3/006; G02B 5/09;
G02B 6/00; G06T 2211/00; H04N
1/0313-032; H04N 1/02815-02895;
H04N 1/0249; H04N 1/02481; H04N
1/00; H04N 1/12; H04N 1/00013; H04N
1/00015; H04N 1/00018; H04N 1/00026;
H04N 1/00557; H04N 1/00564; H04N
1/00567; H04N 1/0057; H04N 1/00572;
H04N 1/00586; H04N 1/00588; H04N
1/00591; H04N 1/00594; H04N 1/00596;
H04N 1/00604; H04N 1/00519; H04N
1/00559; H04N 1/00551; H04N 1/00278;
H04N 1/1013; H04N 1/10; H04N
5/2251-2256; H04N 2201/02456; H04N
2201/02458; H04N 2201/02462; H04N
2201/03468; H04N 2201/02485; H04N
2201/0249; H04N 2201/02481; H04N
2201/0456; H04N 2201/0446; H04N
2201/00; H04N 2201/0094; H01L
27/14618-14643; H01L 27/14649; H01L
27/14652; H01L 27/14658-1467; H01L
31/0232-02327; H01L 31/1055; H01L
31/14; G03G 15/0142; G03G 15/605;
G03G 15/602; F21S 2/00; F21S 4/00;
F21S 4/003; F21S 4/005; F21S 4/006;
F21S 4/007; F21S 4/008; F21S 6/00;
F21S 8/00; F21S 8/024; F21S 8/026;
F21S 8/031; F21S 8/033; F21S
8/035-037; F21S 8/04; F21S 8/043; F21S
8/063; G06V 40/12; G06V 40/13; G06V
40/1312-1394; G06V 40/14; G06V
40/145; G06V 40/15; G06V 40/63; G06V
40/10

See application file for complete search history.

(56)

References Cited

U.S. PATENT DOCUMENTS

D289,291 S 4/1987 Kapper
D299,028 S 12/1988 Hermann
D311,393 S 10/1990 Weaver et al.
D315,337 S 3/1991 Weaver et al.
D354,280 S 1/1995 Fenton
D355,173 S 2/1995 Fenton et al.
5,526,436 A * 6/1996 Sekiya G06V 10/993
356/71
5,808,289 A 9/1998 Becker
5,844,228 A 12/1998 Nukui et al.
D411,202 S 6/1999 Flanagan, III et al.
D416,032 S 11/1999 Bakshi
D426,240 S 6/2000 Senda
D427,587 S 7/2000 Jacobsen et al.
D444,787 S 7/2001 Tsushima
D518,482 S 4/2006 Hodges et al.
7,031,502 B1 * 4/2006 Mil'shtein G06V 40/13
382/126
7,081,951 B2 * 7/2006 Carver G06V 40/1324
356/71
D537,807 S 3/2007 Griffin et al.
D544,462 S 6/2007 Patel
7,273,170 B2 * 9/2007 Katsumata G06F 21/34
235/382
D565,577 S 4/2008 Hanks
D583,822 S 12/2008 Matsumoto et al.
D585,066 S 1/2009 Morris et al.
7,580,552 B2 * 8/2009 Yoshizu G06V 40/63
340/5.82
D605,588 S 12/2009 Nomi et al.
D621,834 S 8/2010 Kinno et al.
7,792,337 B2 * 9/2010 Higuchi G06V 40/1312
382/126
D640,249 S 6/2011 Choi
D655,298 S 3/2012 Xu et al.
8,326,005 B2 * 12/2012 Tani G06V 40/145
382/116
D680,491 S 4/2013 Paschke et al.
D688,804 S 8/2013 Kim et al.
D691,732 S 10/2013 Shibata et al.
D693,348 S 11/2013 Min
D693,815 S 11/2013 Son
8,583,379 B2 * 11/2013 Li G06T 7/0012
435/7.1
D697,917 S 1/2014 Sato et al.
D699,368 S 2/2014 Quilter et al.
8,649,568 B2 * 2/2014 Sato G06V 40/1382
340/5.83
D715,284 S 10/2014 Iwamoto
D717,308 S 11/2014 Knoll et al.
D717,799 S 11/2014 Lee et al.
D719,166 S 12/2014 Brown et al.
D719,167 S 12/2014 Brown et al.
D724,088 S 3/2015 Giometti
D727,327 S 4/2015 Quilter et al.
D727,901 S 4/2015 Nishimura et al.
9,041,347 B2 5/2015 Paschke et al.
D736,755 S 8/2015 Kwak et al.
D750,513 S 3/2016 King et al.
D752,051 S 3/2016 Chen et al.
D752,240 S 3/2016 Chan et al.
D754,600 S 4/2016 Lin
D769,186 S 10/2016 Yang
D781,847 S 3/2017 Kim et al.
D787,506 S 5/2017 Takiguchi
D787,508 S 5/2017 Takiguchi
D788,778 S 6/2017 Magi et al.
D807,213 S 1/2018 Williams et al.
D815,097 S 4/2018 Magi
D817,959 S 5/2018 Varotto
D818,524 S 5/2018 Dong et al.
D825,567 S 8/2018 Behrooznia et al.
D829,718 S 10/2018 Fletcher et al.
10,176,350 B1 1/2019 Schwalbe

(56)

References Cited

U.S. PATENT DOCUMENTS

D844,047 S 3/2019 Yeruva et al.
 D849,833 S 5/2019 Eun
 D850,366 S 6/2019 Zou
 D851,169 S 6/2019 Yaginuma
 D851,697 S 6/2019 Qiu et al.
 D859,516 S 9/2019 Wang et al.
 D860,307 S 9/2019 Wang et al.
 D880,580 S 4/2020 Wang et al.
 D886,190 S 6/2020 Huang et al.
 D895,841 S 9/2020 Mathers et al.
 10,789,437 B1 9/2020 Zhang et al.
 D909,469 S 2/2021 Watanabe et al.
 D916,955 S 4/2021 Lee et al.
 10,970,505 B2 4/2021 Zhang et al.
 D921,222 S 6/2021 Osborne et al.
 D928,082 S 8/2021 Houghton
 D931,363 S * 9/2021 Tseng D18/4.5
 D933,662 S 10/2021 Minnis et al.
 D934,338 S 10/2021 Shaginyan
 D937,266 S 11/2021 Stille et al.
 D940,232 S 1/2022 Kangasmaa et al.
 D946,649 S 3/2022 Wang et al.
 D951,339 S 5/2022 Paillard et al.
 11,373,159 B2 6/2022 Nieuwborg et al.
 D959,435 S * 8/2022 Minnis D14/453
 D959,436 S * 8/2022 Stille D14/453
 D960,161 S 8/2022 Zhang et al.

D962,239 S 8/2022 Arenas de Jesus et al.
 D964,361 S * 9/2022 Quan D14/384
 D1,027,957 S * 5/2024 Budano G06Q 30/016
 D14/420
 2003/0111530 A1 6/2003 Iki et al.
 2007/0003112 A1 * 1/2007 Awatsu G06V 40/14
 340/5.82
 2007/0286646 A1 12/2007 Ichikawa et al.
 2009/0269841 A1 10/2009 Wojciechowski et al.
 2013/0057927 A1 3/2013 Durant et al.
 2016/0091975 A1 * 3/2016 Kumar G06F 3/011
 345/8
 2017/0091379 A1 3/2017 Vickers et al.
 2017/0091380 A1 3/2017 Vickers et al.
 2017/0184585 A1 6/2017 Markovsky et al.
 2018/0374070 A1 12/2018 Bedier et al.
 2019/0012491 A1 1/2019 Su et al.
 2022/0309136 A1 * 9/2022 Quan H04L 63/0861
 2022/0391019 A1 * 12/2022 Budano G06F 3/017

OTHER PUBLICATIONS

Tencent palm scanning system for Beijing Subway System, <https://mainichi.jp/english/articles/20230619/p2a/00m/0op/013000c> (Year: 2023).*
 Fujitsu Palm Scanner, <https://www.sourcesecurity.com/fujitsu-palm-vein-reader-technical-details.html> (Year: 2020).*

* cited by examiner

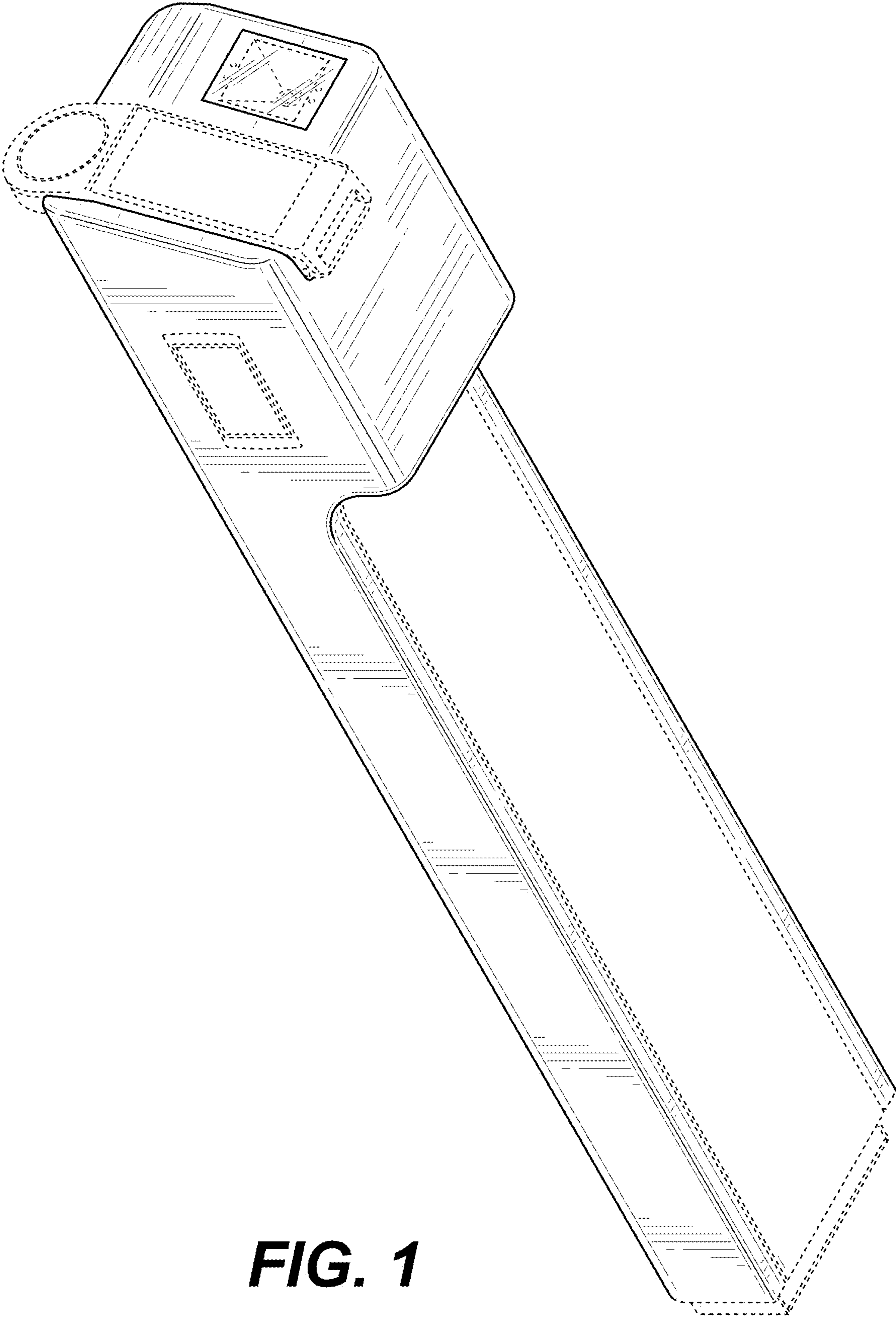


FIG. 1

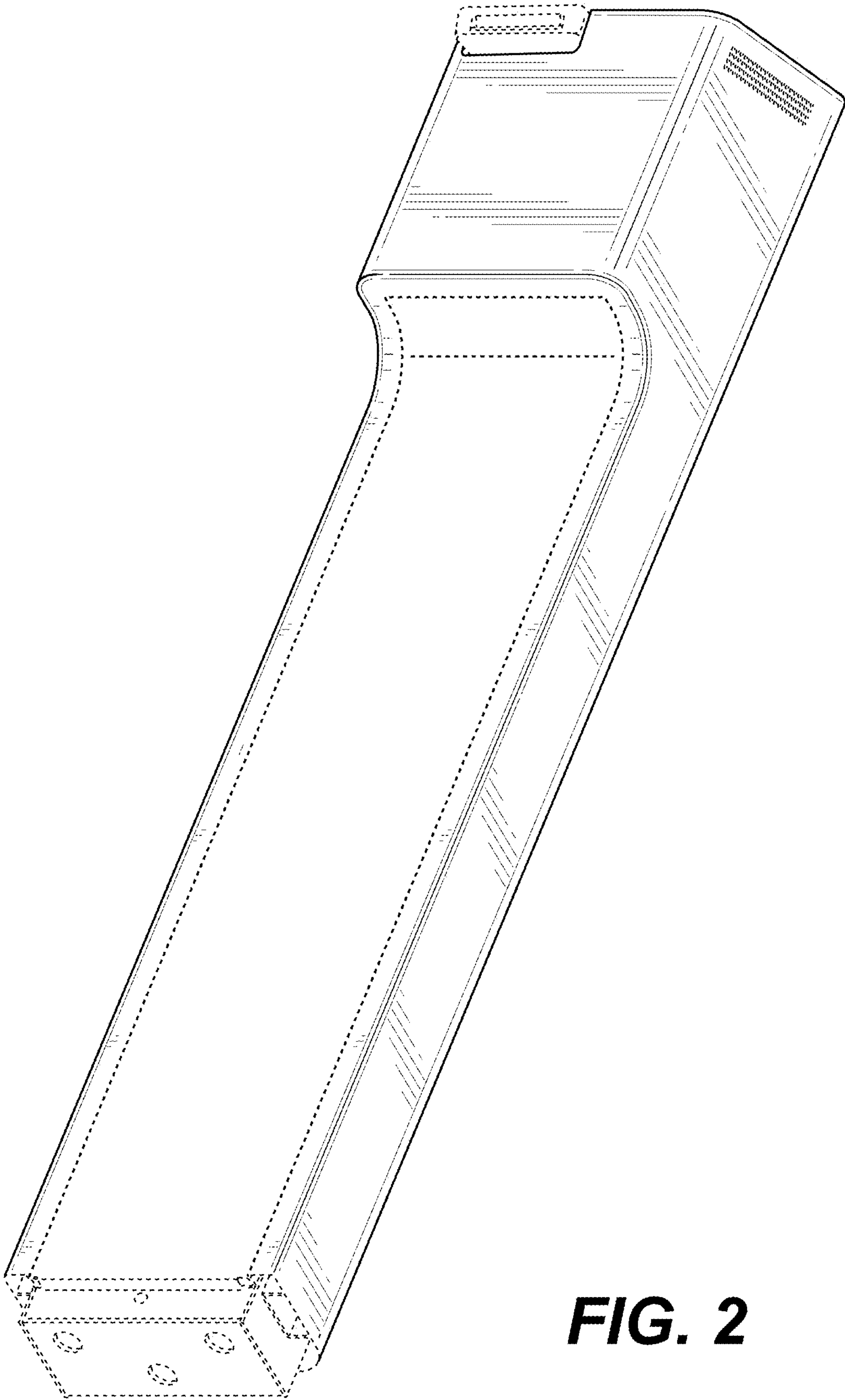


FIG. 2

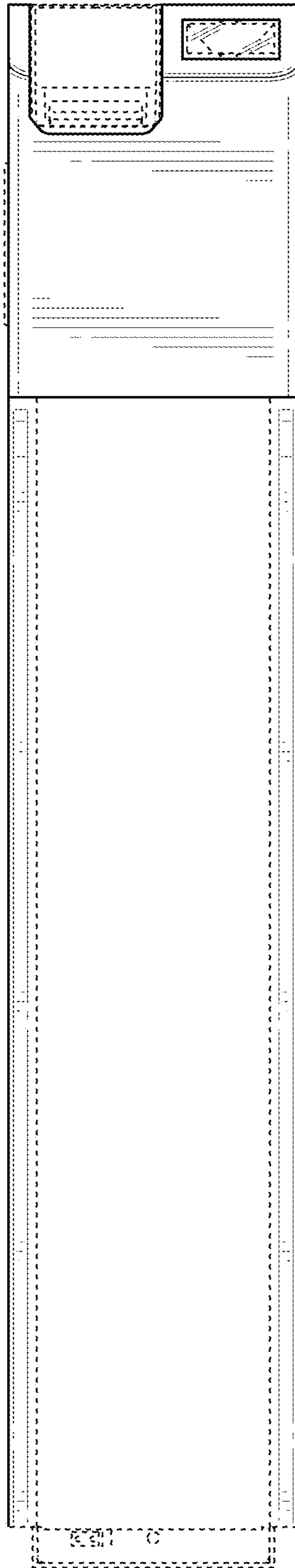


FIG. 3

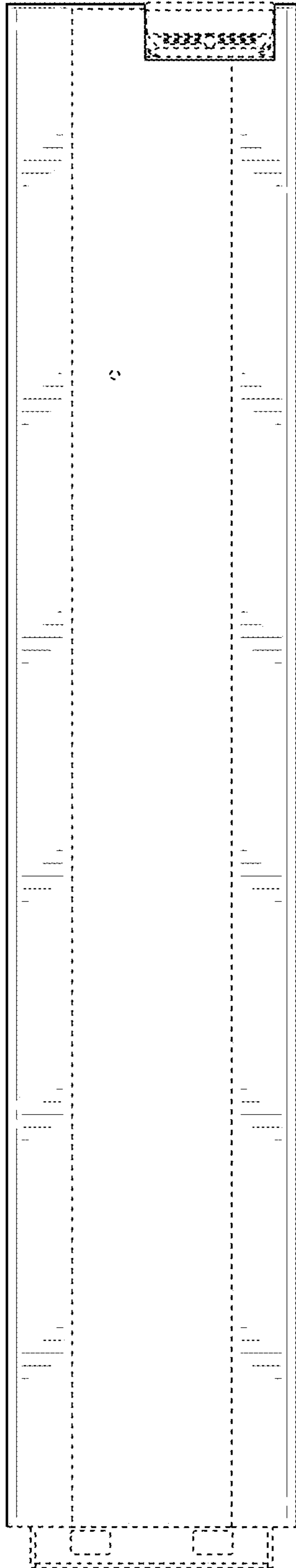


FIG. 4

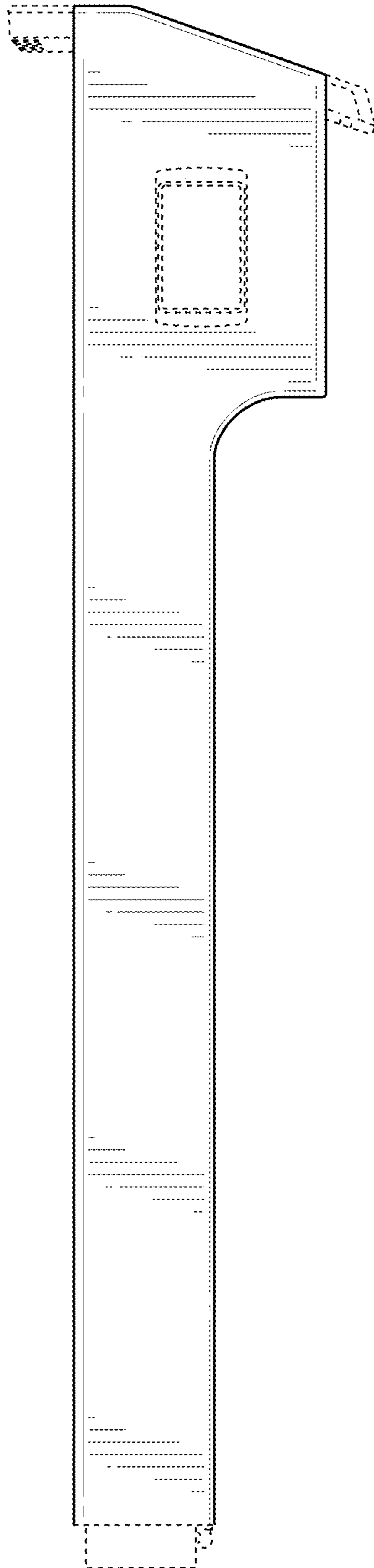


FIG. 5

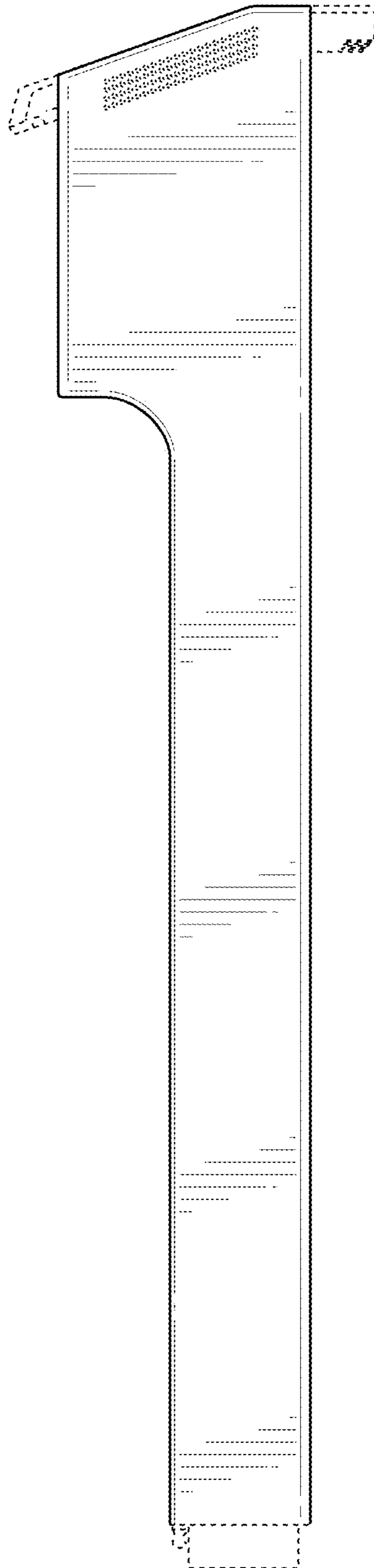


FIG. 6

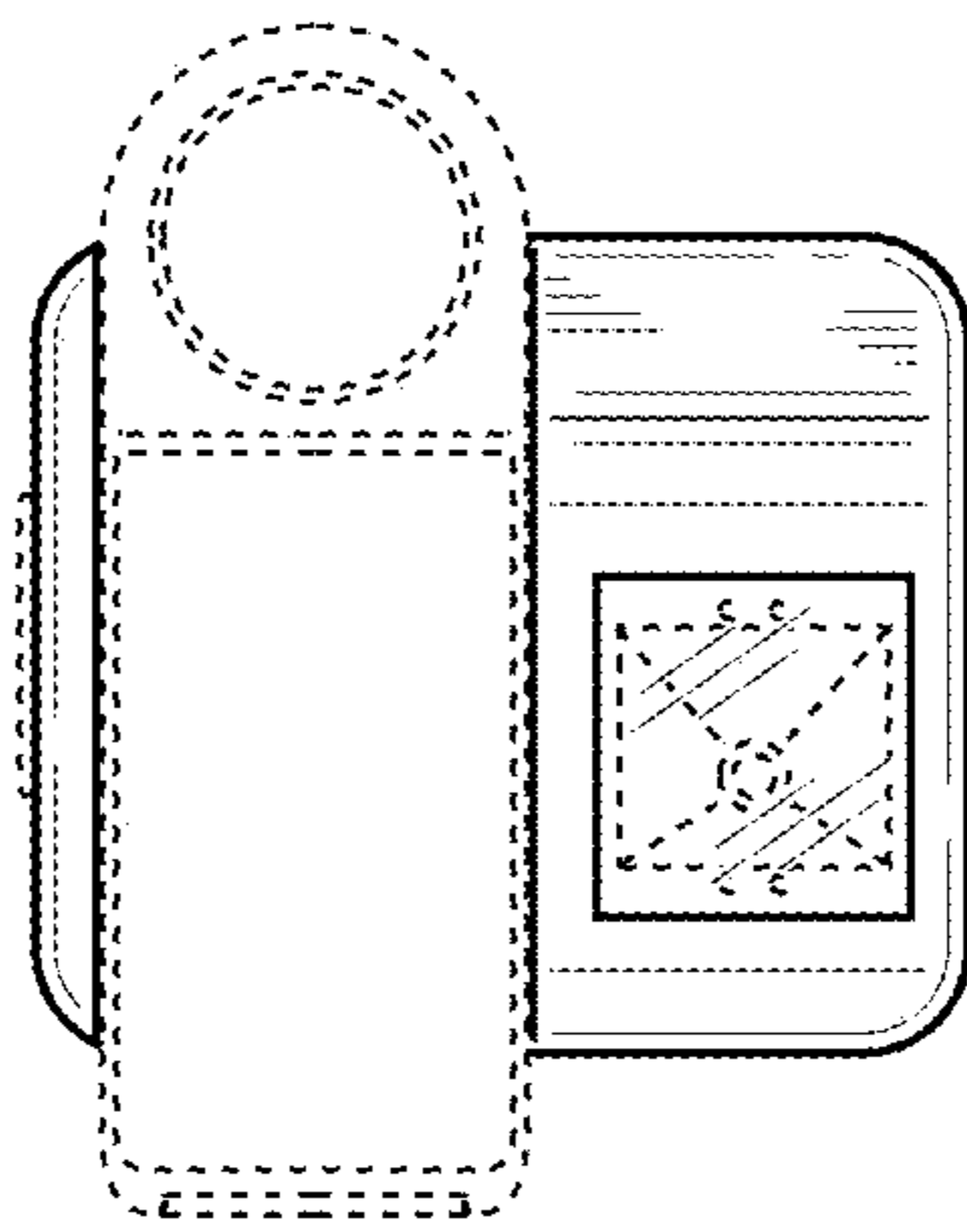


FIG. 7

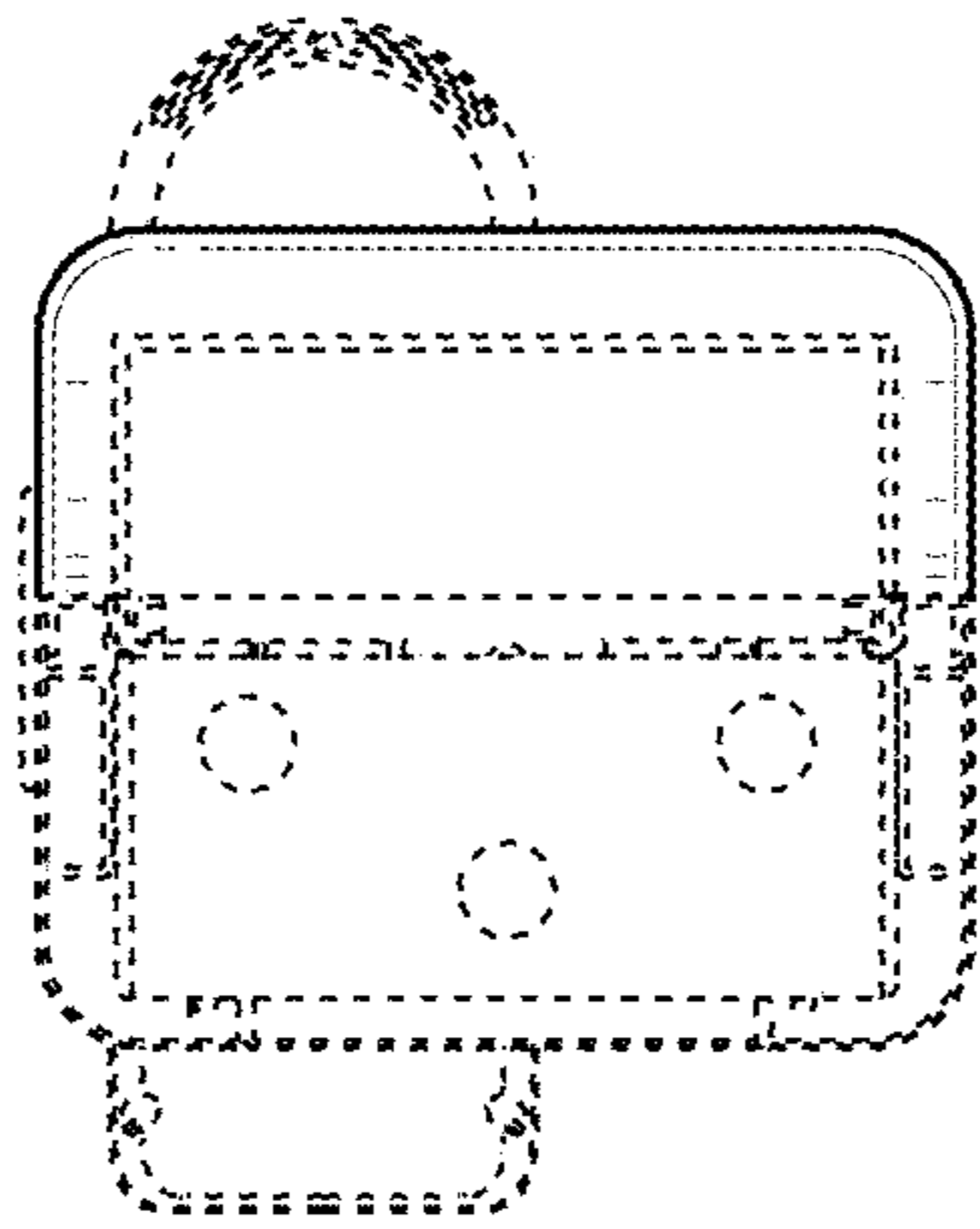


FIG. 8