



US0D1046832S

(12) **United States Design Patent** (10) **Patent No.:** **US D1,046,832 S**
Ma (45) **Date of Patent:** **** Oct. 15, 2024**

(54) **ANTENNA**
(71) Applicant: **Avery Dennison Retail Information Services LLC**, Mentor, OH (US)
(72) Inventor: **Shubin Ma**, Tampere (FI)
(73) Assignee: **Avery Dennison Retail Information Services LLC**, Mentor, OH (US)
(**) Term: **15 Years**

D801,319 S * 10/2017 Forster D14/230
D809,488 S * 2/2018 Forster D14/230
D821,366 S * 6/2018 Forster D14/230
D838,699 S * 1/2019 Chang D14/230
D874,448 S * 2/2020 Forster D14/230
D909,352 S * 2/2021 Howard D14/230
D909,353 S * 2/2021 Howard D14/230
D941,279 S * 1/2022 Rizwan D14/230
D958,120 S * 7/2022 Atojoko D14/230
D963,625 S * 9/2022 Thirappa D14/230
D964,327 S * 9/2022 Quiambao D14/230
D964,328 S * 9/2022 Thirappa D14/230
D992,536 S * 7/2023 Ma D14/230

(Continued)

(21) Appl. No.: **29/874,429**

(22) Filed: **Apr. 19, 2023**

(51) **LOC (14) Cl.** **14-03**

(52) **U.S. Cl.**
USPC **D14/230**

(58) **Field of Classification Search**
USPC D14/230, 231–240, 238.1, 299, 343, 489,
D14/492, 138, 135; D13/182;
D12/42–43
CPC H01Q 7/00; H01Q 13/10; H01Q 9/285;
H01Q 19/30; H01Q 1/36; H01Q 1/38;
H05K 11/00; G05D 1/0234; G06K
19/07749; G01R 29/10; G01S 2013/0245;
G01S 2013/0254; G01S 2013/0263; G01S
7/4026

See application file for complete search history.

(56) **References Cited**

U.S. PATENT DOCUMENTS

D617,320 S * 6/2010 Oliver D14/230
D710,835 S * 8/2014 Forster D14/230
D713,393 S * 9/2014 Forster D14/230
D713,394 S * 9/2014 Forster D14/230
D715,781 S * 10/2014 Forster D14/230
D716,275 S * 10/2014 Forster D14/230
D719,936 S * 12/2014 Forster D14/230
D795,227 S * 8/2017 Chang D14/230
D799,456 S * 10/2017 Forster D14/230

FOREIGN PATENT DOCUMENTS

CN 304699553 * 6/2018
CN 306570303 * 5/2021

(Continued)

OTHER PUBLICATIONS

Alien, "RFID White Wet Inlay . . .", available at atlasrfidstore.com, date published Nov. 3, 2017, site visited Jul. 16, 2024, available at URL: <https://www.atlasrfidstore.com/clearance-all-sales-final-alien-pearl-rfid-white-wet-inlay-aln-9816-higgs-ec/> (Year: 2017).*

(Continued)

Primary Examiner — Daniel J Domino

Assistant Examiner — Samina Vieth

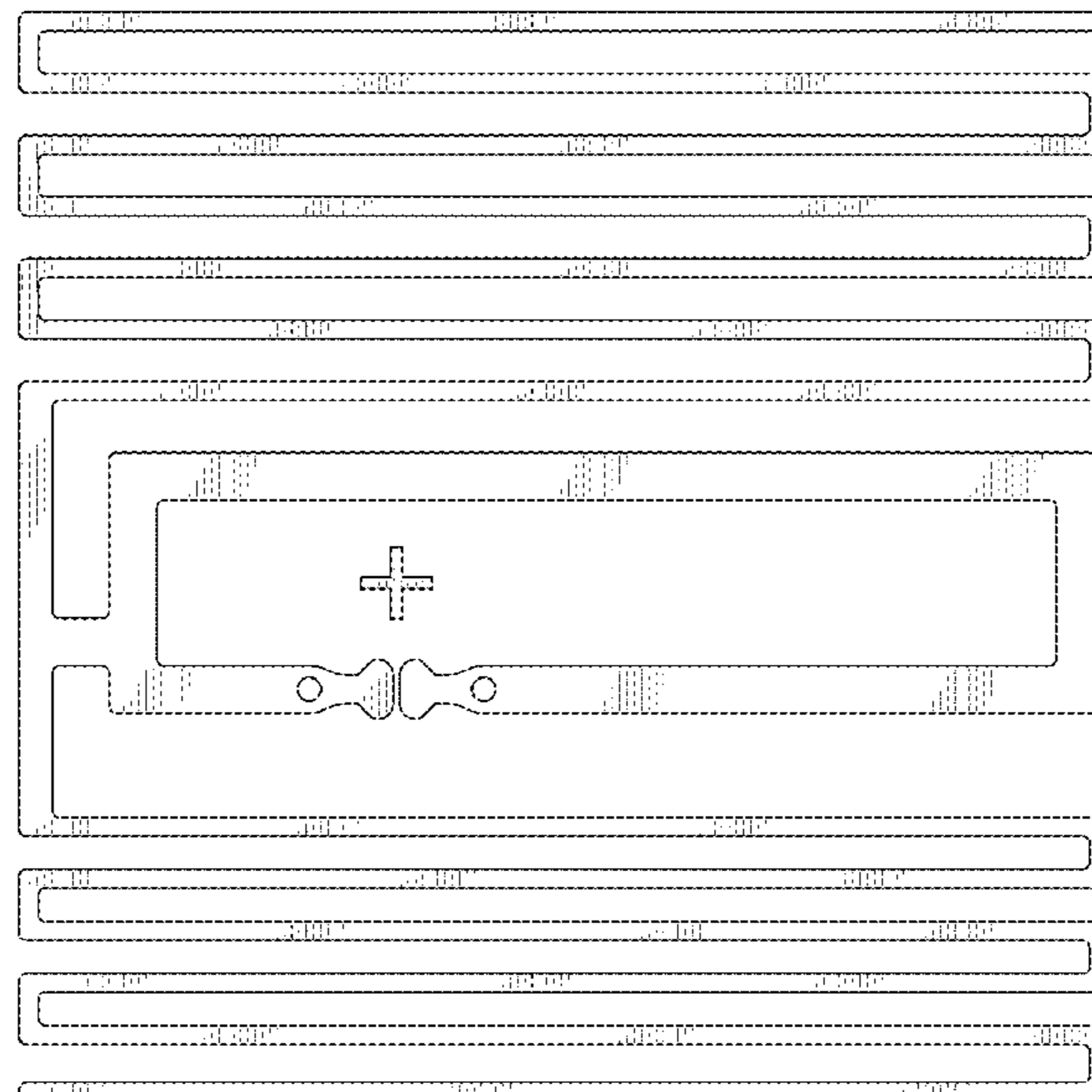
(57) **CLAIM**

The ornamental design for an antenna, as shown and described.

DESCRIPTION

FIG. 1 is an isometric view of an antenna showing the design; and, FIG. 2 is a top plan view thereof.

1 Claim, 2 Drawing Sheets



(56)

References Cited

U.S. PATENT DOCUMENTS

D1,001,785 S * 10/2023 Ma D14/230
D1,003,876 S * 11/2023 Ma D14/230

FOREIGN PATENT DOCUMENTS

CN 306972732 * 11/2021
CN 307838920 * 2/2023
CN 308059151 * 5/2023

OTHER PUBLICATIONS

Alien, "Pearl RFID White Wet Inlay . . .", available at atlasrfidstore.com, date published Feb. 8, 2017, site visited Jul. 16, 2024, available at URL: <https://www.atlasrfidstore.com/alien-pearl-rfid-white-wet-inlay-aln-9716-higgs-4/> (Year: 2017).*

Alien, "Glint RFID White Wet Inlay . . .", available at atlasrfidstore.com, date published Jul. 5, 2016, site visited Jul. 16, 2024, available at URL: <https://www.atlasrfidstore.com/alien-glint-rfid-white-wet-inlay-aln-9715-higgs-4/> (Year: 2016).*

Alien, "Square RFID White . . .", available at atlasrfidstore.com, date published 2014, site visited Jul. 16, 2024, available at URL: <https://www.atlasrfidstore.com/alien-square-rfid-white-wet-inlay-aln-9629-higgs-3/> (Year: 2014).*

* cited by examiner

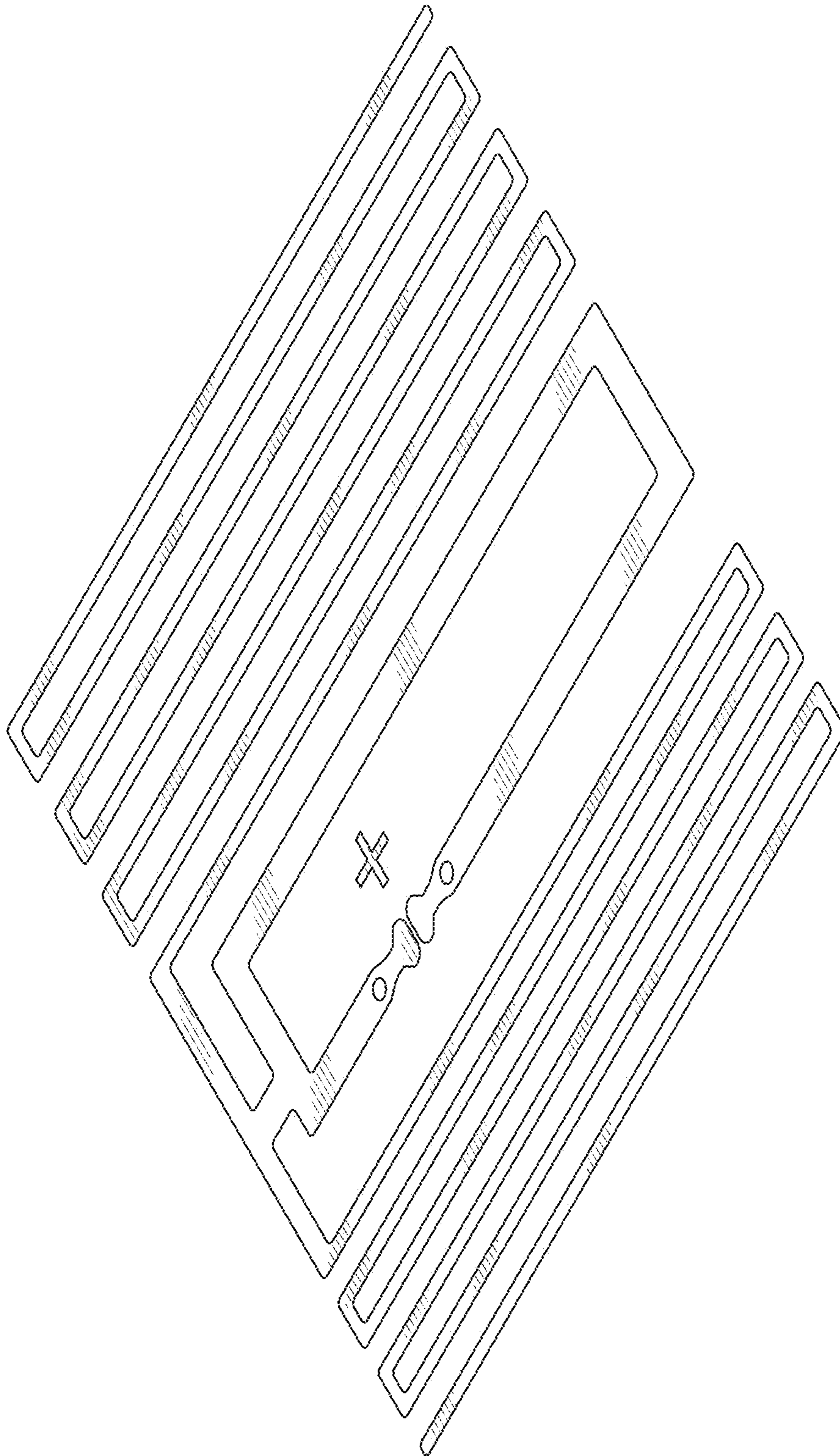


FIG. 1

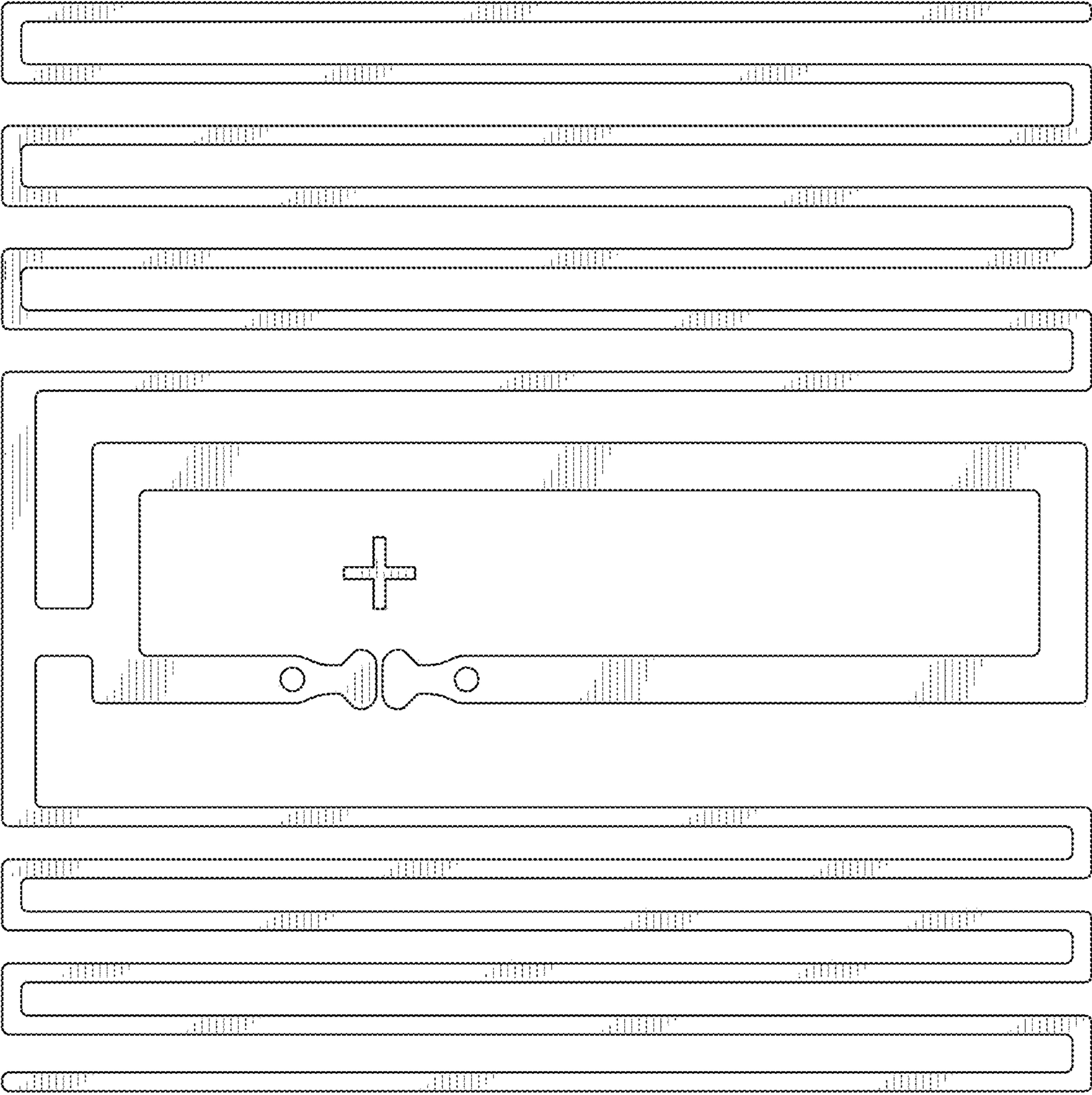


FIG. 2