



US0D1046820S

(12) **United States Design Patent** (10) **Patent No.:** **US D1,046,820 S**
Yu (45) **Date of Patent:** **** Oct. 15, 2024**

(54) **REMOTE CONTROL SHEATH**

(71) Applicant: **Bingchun Yu**, Shantou (CN)

(72) Inventor: **Bingchun Yu**, Shantou (CN)

(**) Term: **15 Years**

(21) Appl. No.: **29/932,318**

(22) Filed: **Mar. 13, 2024**

(30) **Foreign Application Priority Data**

Oct. 27, 2023 (CN) 202330699760.6

(51) **LOC (14) Cl.** **14-03**

(52) **U.S. Cl.**
USPC **D14/218**; D13/168

(58) **Field of Classification Search**
USPC D14/215, 217, 218, 232, 243, 248, 249,
D14/250-253, 432, 440; D3/201, 218,
D3/247, 249, 269, 327, 328; D13/168,
D13/184

CPC H01H 9/0235; H01H 9/0242
See application file for complete search history.

(56) **References Cited**

U.S. PATENT DOCUMENTS

D640,642 S *	6/2011	Ball	D13/184
D710,330 S *	8/2014	Miller	D14/218
D753,633 S *	4/2016	Fields	D14/217
D795,221 S *	8/2017	Campbell	D14/218
D818,714 S	5/2018	Miller		
D830,696 S *	10/2018	Miller	D3/300
D873,803 S	1/2020	Miller		
D908,801 S *	1/2021	Lee	D21/333
D939,475 S *	12/2021	Lee	D14/218
D947,155 S *	3/2022	Lee	D14/218
D965,561 S *	10/2022	Yang	D14/218

D970,474 S *	11/2022	Ehrlich	D14/218
D1,001,104 S *	10/2023	Kwon	D14/218
2012/0273375 A1 *	11/2012	Rice	H04B 1/3888 206/320

OTHER PUBLICATIONS

Amazon, Nueplay Baby TV Remote Control Toy with Silicone Teether Cover, Toddler Realistic Controller, Early Number Learning in 3 Languages (English, Spanish & French), Preschool Girls Toys 6, 12, 18 Months, <https://a.co/d/7bzcT59>, Feb. 20, 2024 (Year: 2024).*

* cited by examiner

Primary Examiner — Keli L Hill

Assistant Examiner — Harold E Blackwell, II

(74) *Attorney, Agent, or Firm* — Jeenam Park

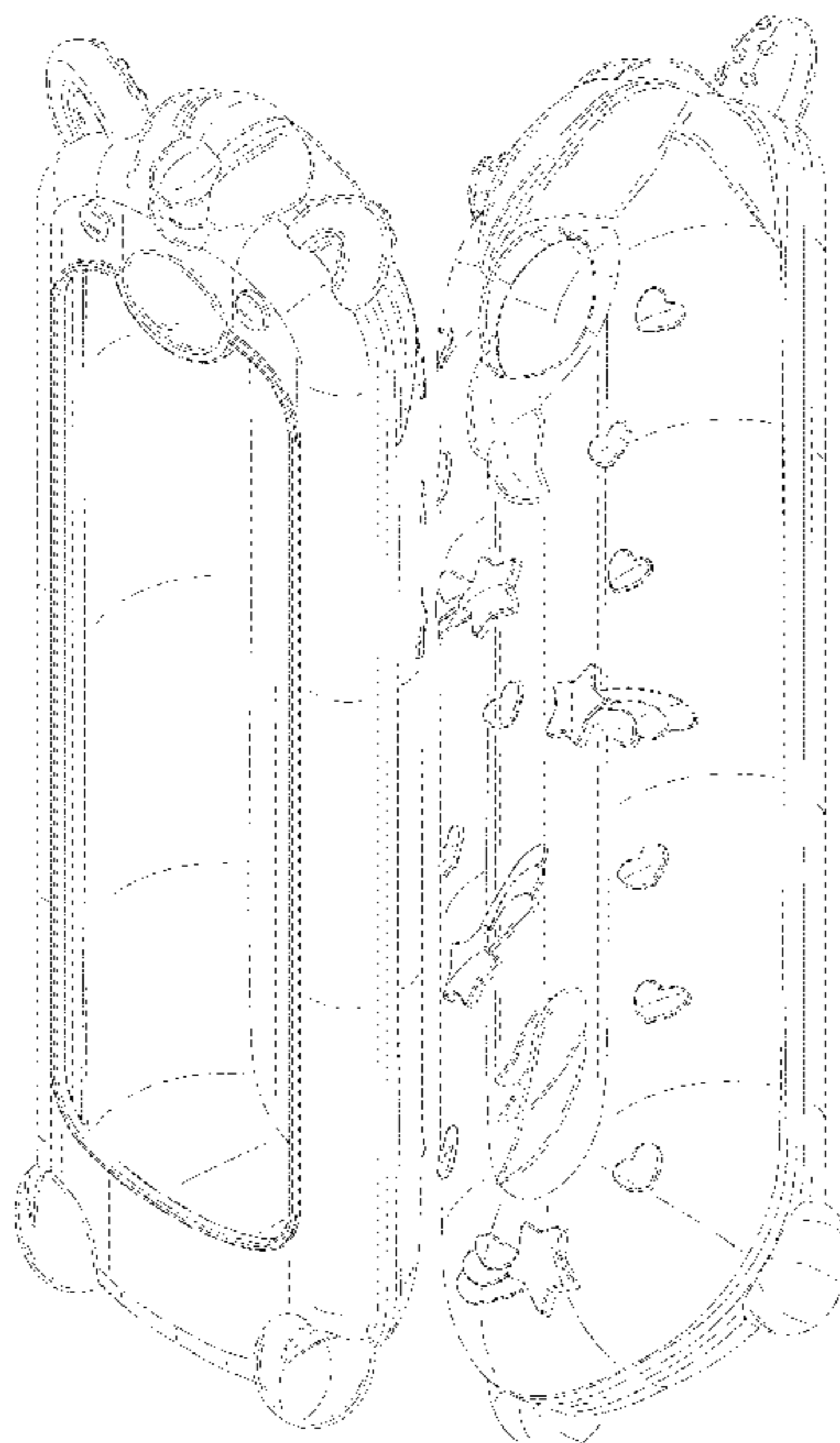
(57) **CLAIM**

The ornamental design for a remote control sheath, as shown and described.

DESCRIPTION

FIG. 1 is a front, right and top perspective view of a remote control sheath, showing my new design;
FIG. 2 is a rear, left and bottom perspective view thereof;
FIG. 3 is a front view thereof;
FIG. 4 is a rear view thereof;
FIG. 5 is a left side view thereof;
FIG. 6 is a right side view thereof;
FIG. 7 is a top plan view thereof;
FIG. 8 is a bottom plan view thereof; and,
FIG. 9 is a front view thereof, shown in a used condition.
The broken lines shown in the drawings illustrate portions of the remote control sheath that form no part of the claimed design.

1 Claim, 9 Drawing Sheets



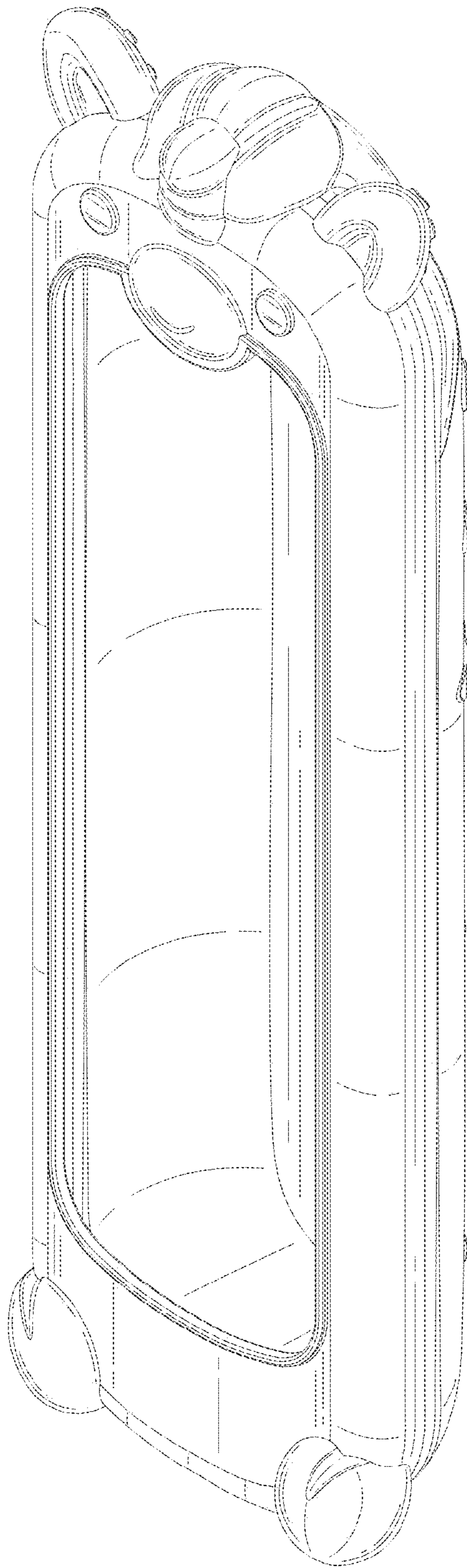


FIG. 1

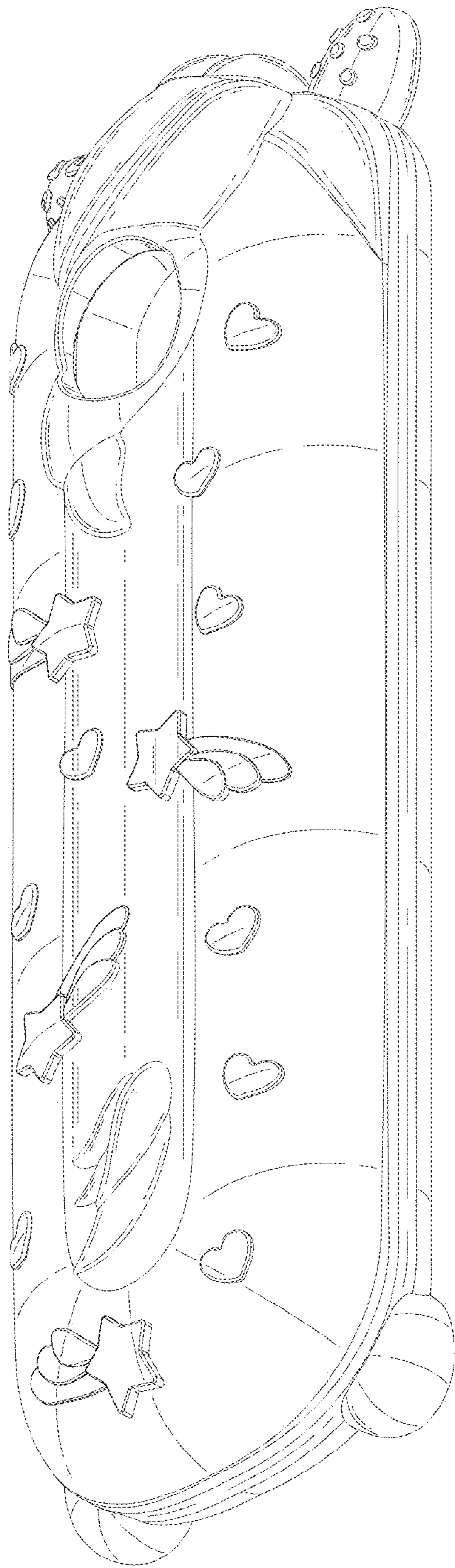


FIG. 2

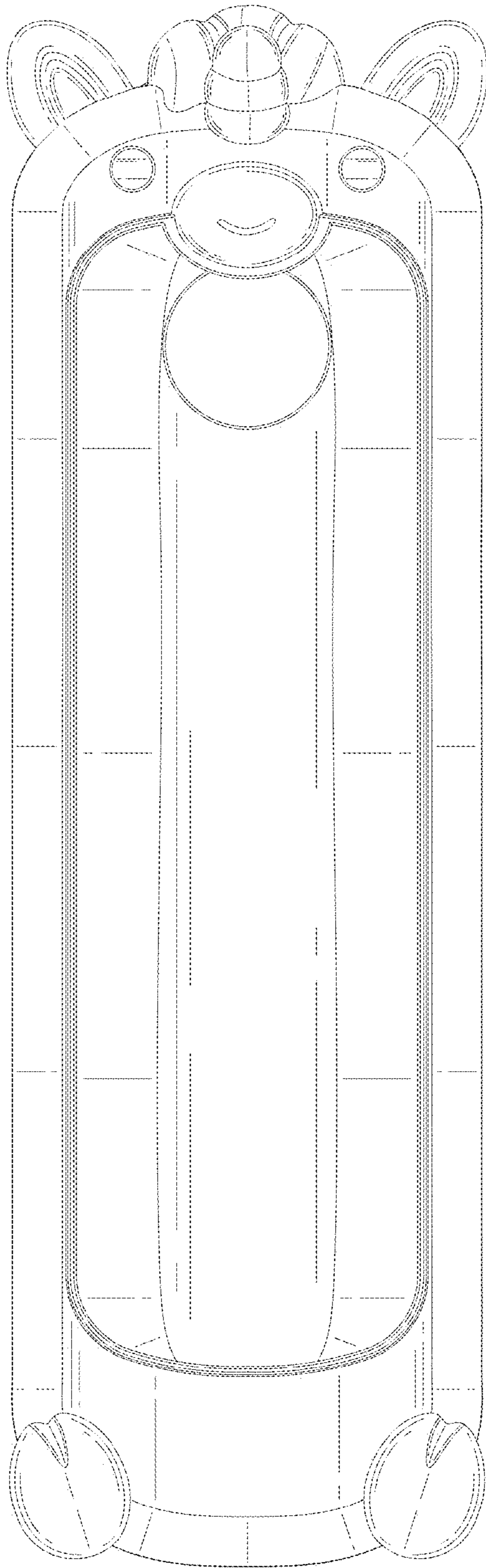


FIG. 3

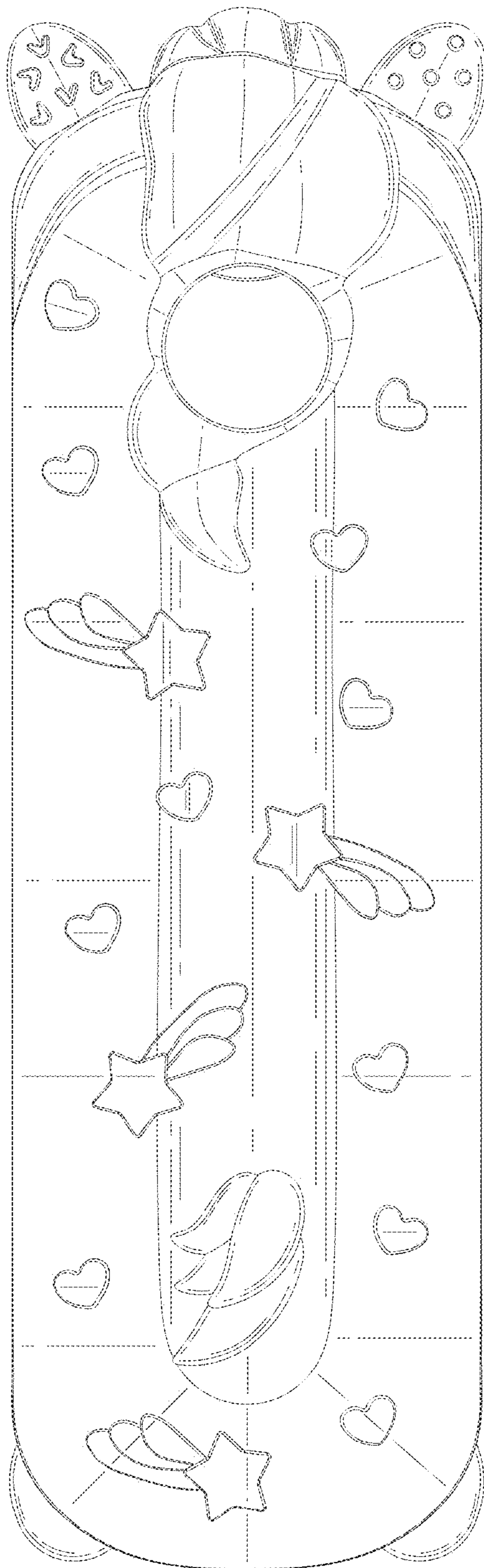


FIG. 4

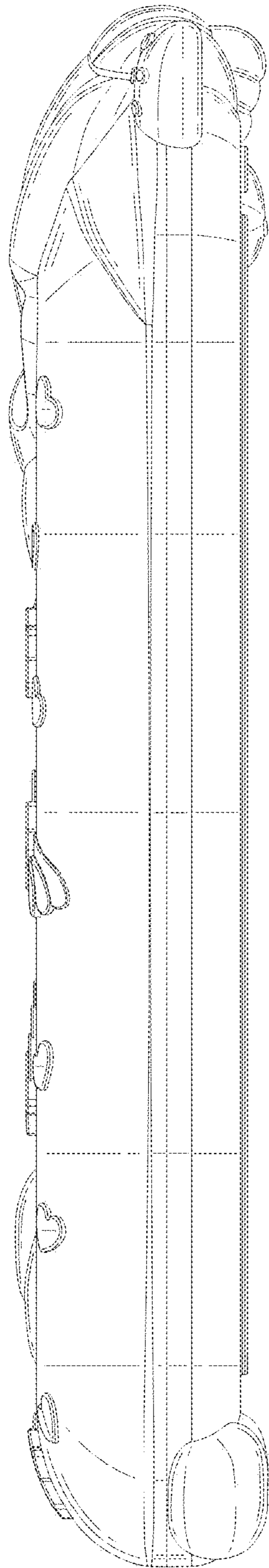


FIG. 5

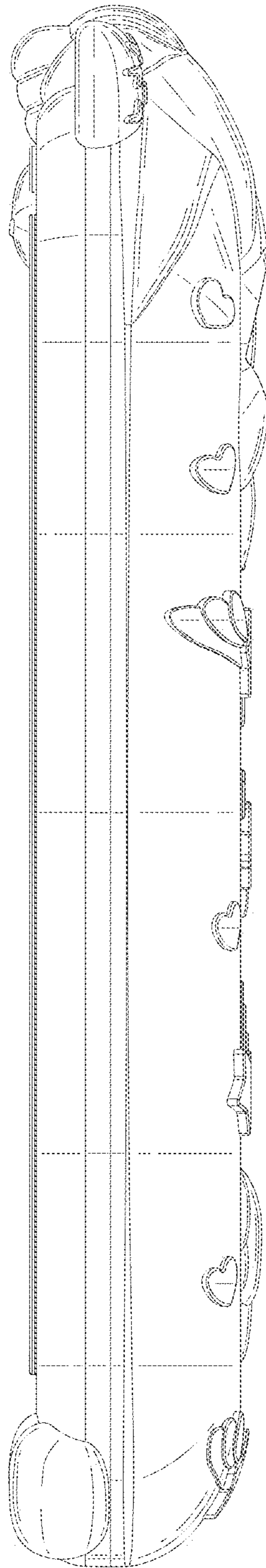


FIG. 6

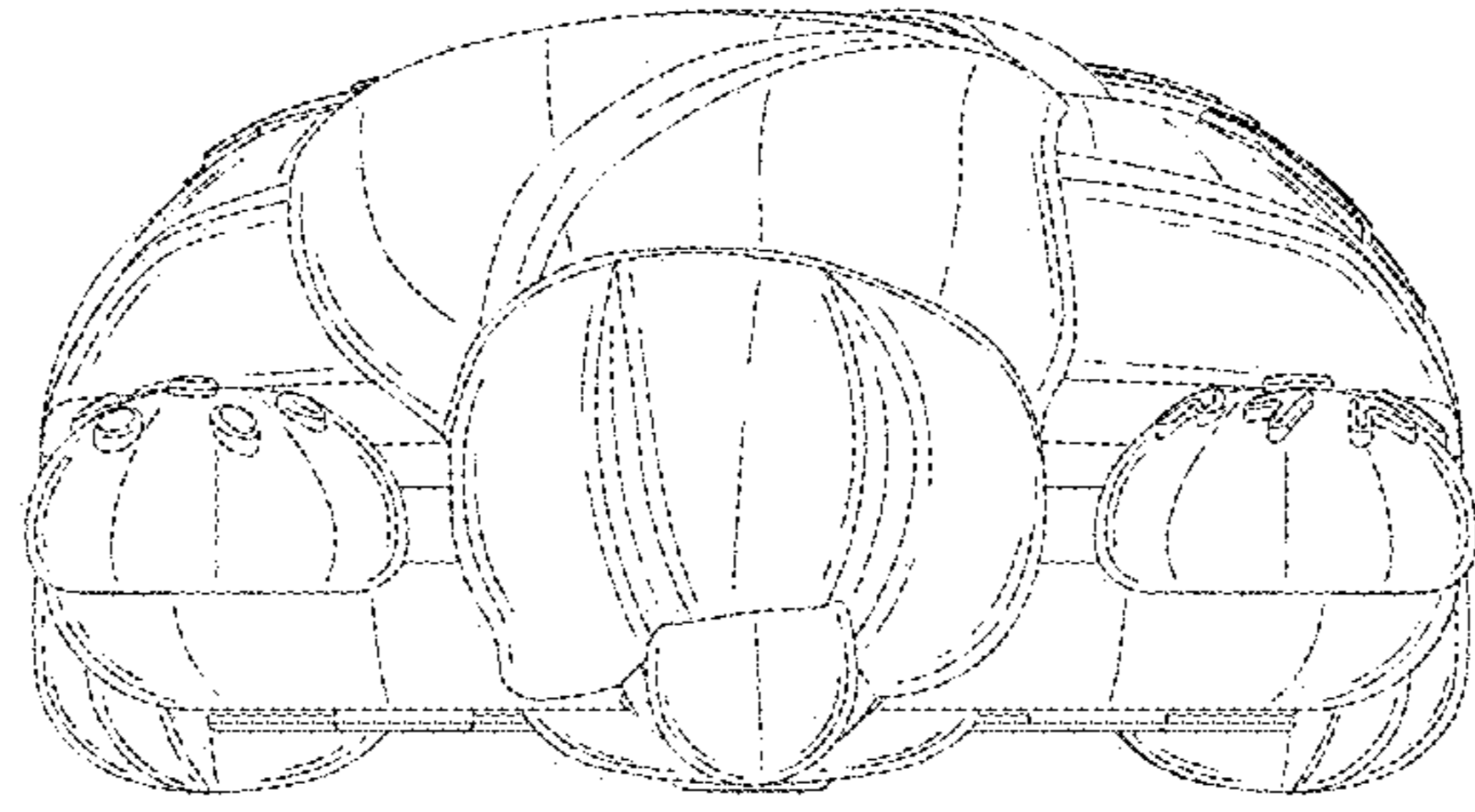


FIG. 7

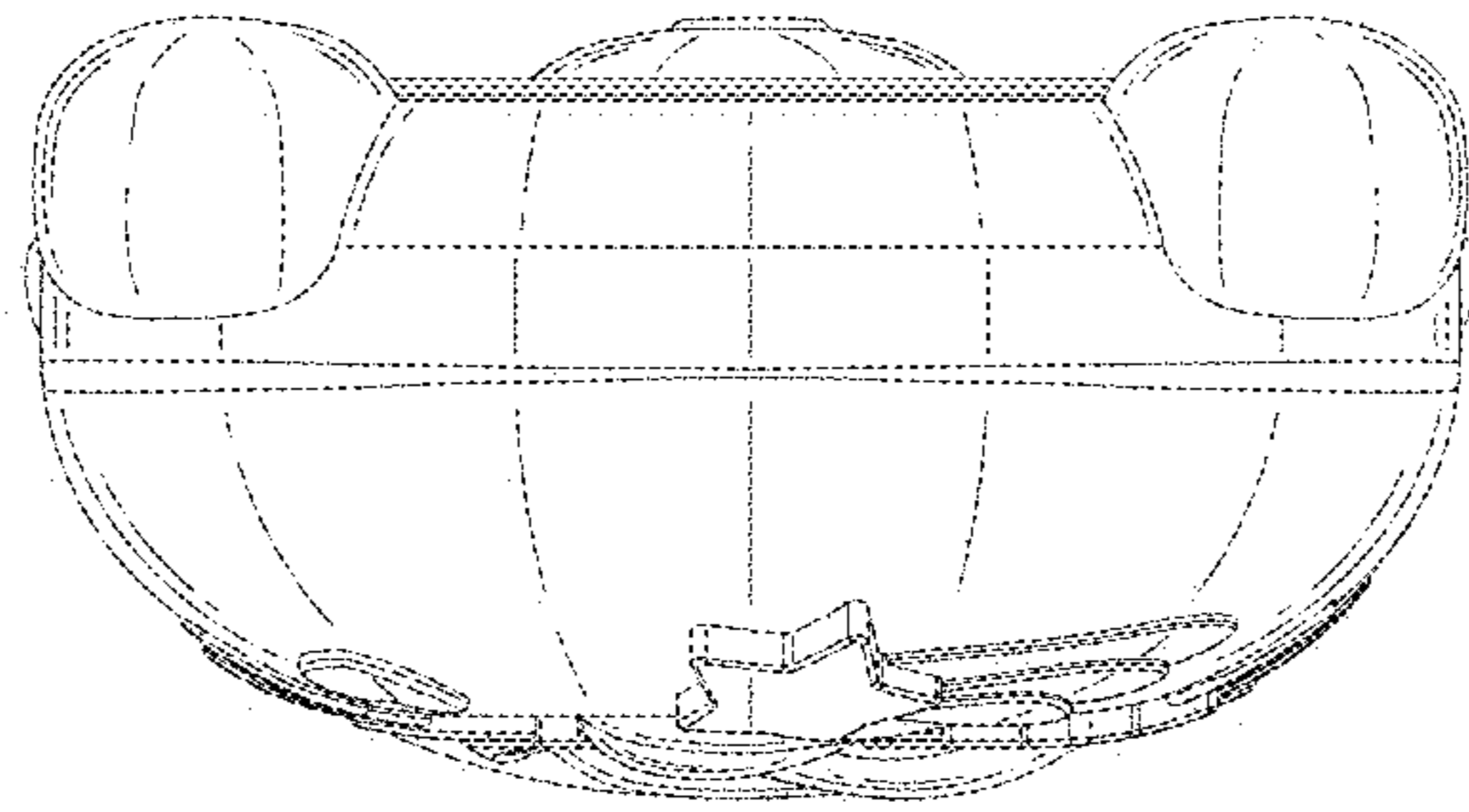


FIG. 8

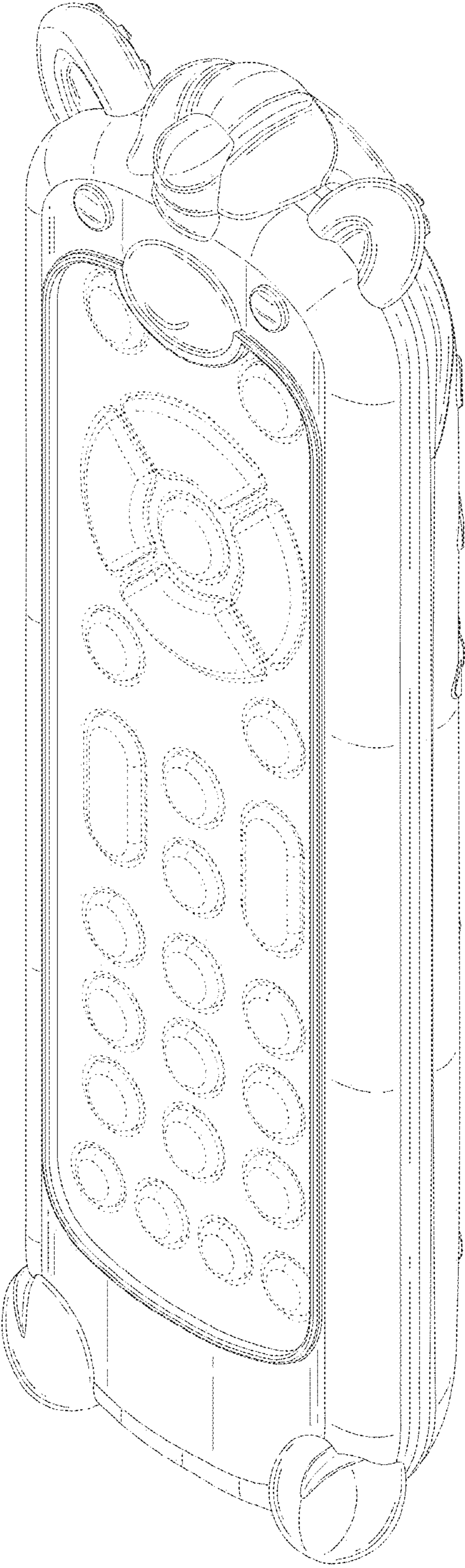


FIG. 9