



US0D1046811S

(12) **United States Design Patent**  
**Liao et al.**

(10) **Patent No.:** **US D1,046,811 S**

(45) **Date of Patent:** **\*\* Oct. 15, 2024**

(54) **HEADPHONES**

8,139,807 B2 \* 3/2012 Reiss ..... H04R 1/1058  
381/375

(71) Applicant: **MerchSource, LLC**, Irvine, CA (US)

D657,776 S \* 4/2012 Lee ..... D14/205  
D673,520 S \* 1/2013 Tan ..... D14/205

(72) Inventors: **Denny Szupao Liao**, Tustin, CA (US);  
**Adam Sbeglia**, Fullerton, CA (US)

(Continued)

(73) Assignee: **MerchSource, LLC**, Irvine, CA (US)

**FOREIGN PATENT DOCUMENTS**

(\*\*) Term: **15 Years**

CN 307756552 \* 12/2022  
CN 307873951 \* 2/2023

(21) Appl. No.: **29/857,294**

*Primary Examiner* — Paula Allen Greene

(22) Filed: **Oct. 20, 2022**

(74) *Attorney, Agent, or Firm* — Avyno Law P.C.

(51) **LOC (14) Cl.** ..... **14-01**

(57) **CLAIM**

(52) **U.S. Cl.**  
USPC ..... **D14/205**

The ornamental design for headphones, as shown and described.

(58) **Field of Classification Search**  
USPC ..... D14/205, 206, 226; 381/380–381;  
D29/112; 2/209

**DESCRIPTION**

CPC ..... H04R 25/00; H04R 25/02; H04R 1/1066;  
H04R 1/1016; H04R 5/033; H04R  
5/0335; H04R 1/1091

FIG. 1 is a top perspective view of the front side of the headphones, showing the new design;  
FIG. 2 is a bottom perspective view of the rear side of the headphones of FIG. 1.

See application file for complete search history.

FIG. 3 is a front elevation view of the headphones of FIG. 1.

(56) **References Cited**

**U.S. PATENT DOCUMENTS**

2,640,699	A *	6/1953	Garbo	.....	A63H 33/18 473/588
3,192,326	A *	6/1965	Chapman	.....	H04M 1/05 D14/206
3,272,926	A *	9/1966	Falkenberg	.....	H04R 1/1008 381/372
5,812,680	A *	9/1998	Glendon	.....	H04R 25/65 381/328
D547,008	S *	7/2007	Machold	.....	D29/112
D609,694	S *	2/2010	Komiyama	.....	D14/205
D620,474	S *	7/2010	Komiyama	.....	D14/205
D637,176	S *	5/2011	Brunner	.....	D14/205
D643,833	S *	8/2011	Lee	.....	D14/223
D646,280	S *	10/2011	Yano	.....	D14/218
D652,406	S *	1/2012	Lee	.....	D14/205

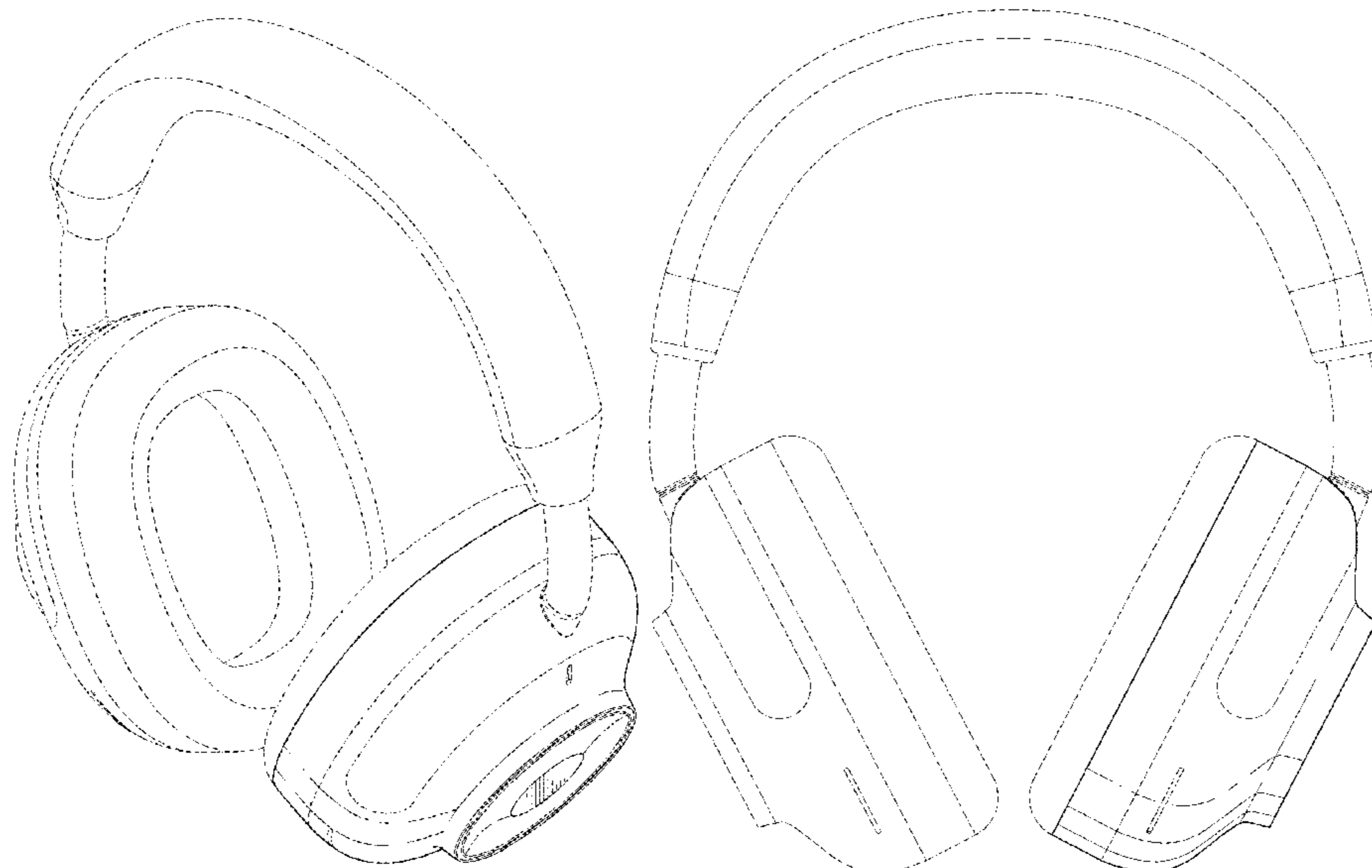
FIG. 4 is a rear elevation view of the headphones of FIG. 1.  
FIG. 5 is a side elevation view of the left side of the headphones of FIG. 1.

FIG. 6 is a side elevation view of the right side of the headphones of FIG. 1.

FIG. 7 is a top plan view of the headphones of FIG. 1; and,  
FIG. 8 is a bottom plan view of the headphones of FIG. 1.

The broken lines immediately adjacent the shaded areas represent contour lines that illustrate that the area adjacent to the raised shaded area is concave, which concaved surface shape forms part of the claimed design, while all other broken lines depict portions of the headphones that form no part of the claimed design.

**1 Claim, 6 Drawing Sheets**



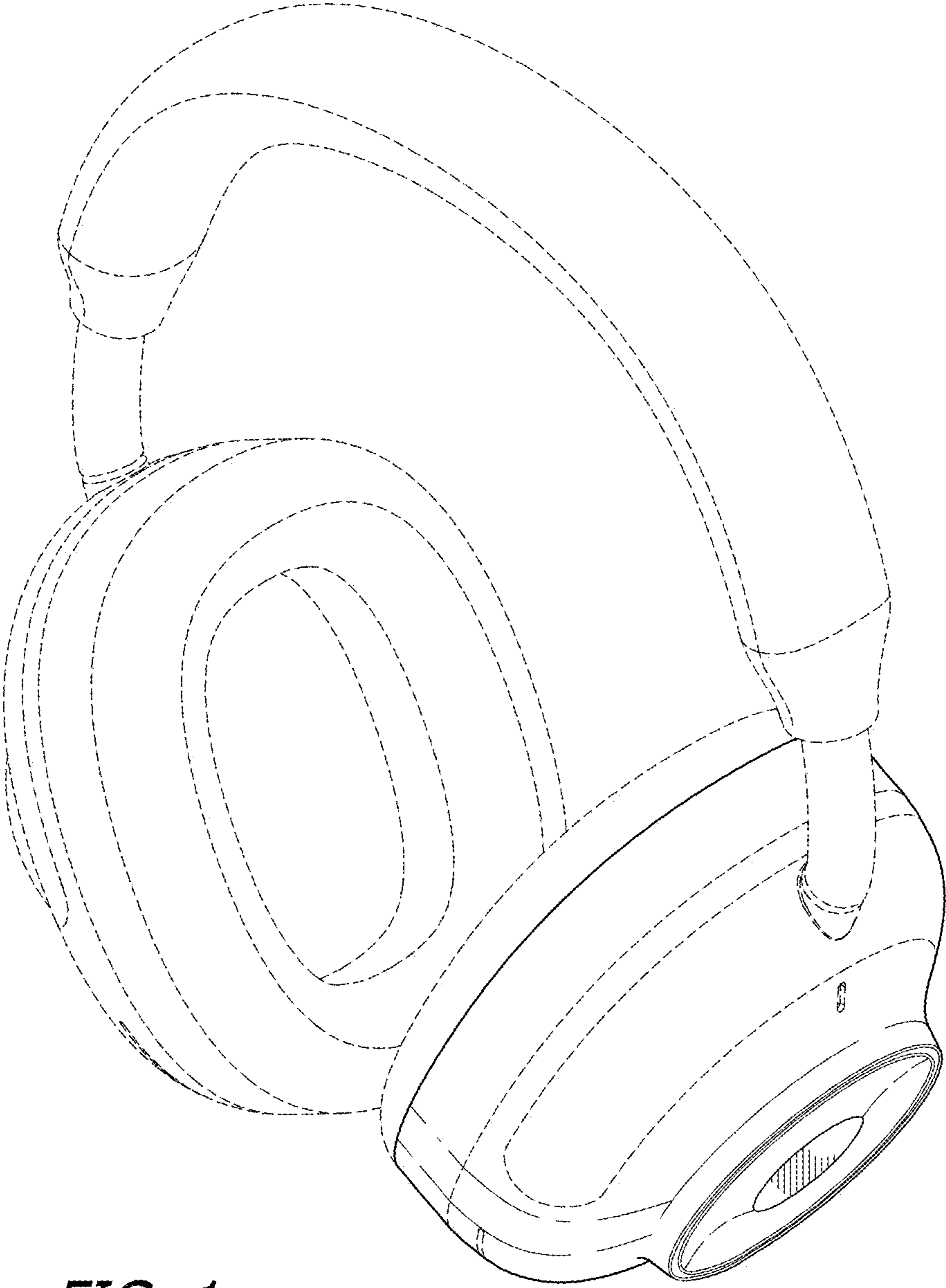
(56)

References Cited

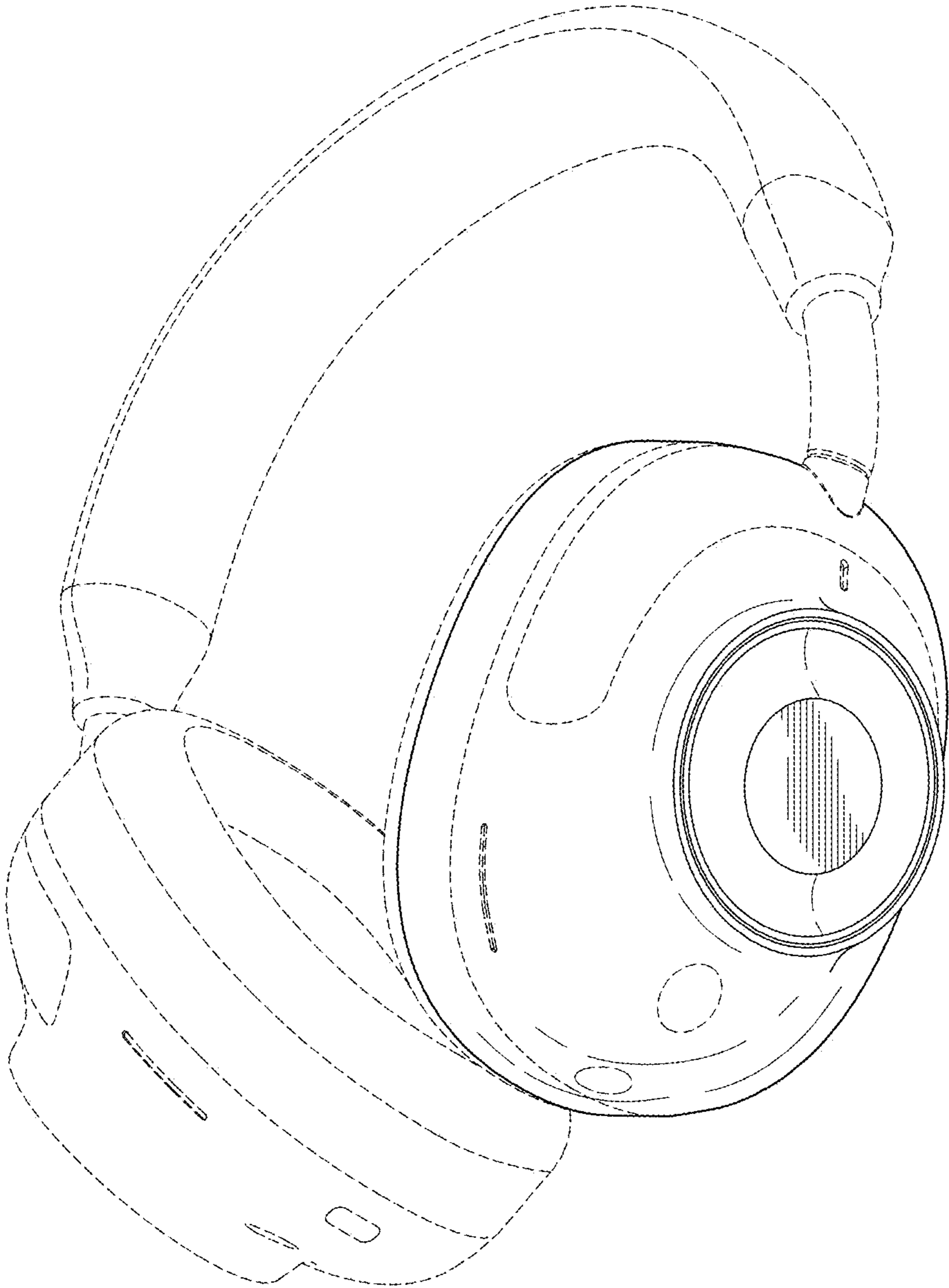
U.S. PATENT DOCUMENTS

D675,595 S *	2/2013	Cho	.....	D14/205	D867,327 S	11/2019	Brunner et al.	
D689,843 S *	9/2013	Lee	.....	D14/205	D868,729 S *	12/2019	Czaniecki	..... D14/223
D691,984 S *	10/2013	Wang	.....	D14/205	D874,430 S *	2/2020	Liu	..... D14/205
D722,998 S *	2/2015	Sancho	.....	D14/205	D876,389 S	2/2020	Brunner et al.	
D725,630 S *	3/2015	Nakagawa	.....	D14/205	D889,432 S	7/2020	Brunner et al.	
9,036,849 B2 *	5/2015	Thompson	.....	H04R 1/083	D893,449 S	8/2020	Tsubone et al.	
				381/370	D899,401 S	10/2020	Smiechowski et al.	
D739,842 S *	9/2015	Birger	.....	D14/205	D904,338 S	12/2020	Treski et al.	
D746,792 S *	1/2016	Kim	.....	D14/223	D921,609 S	6/2021	Brunner et al.	
D796,474 S	9/2017	Treski et al.			D922,978 S *	6/2021	Brunner	..... D14/205
D809,477 S	2/2018	Brunner et al.			D925,489 S	7/2021	Brunner et al.	
D813,837 S *	3/2018	Paterson	.....	D14/205	D927,453 S	8/2021	Smiechowski et al.	
D814,438 S *	4/2018	Brunner	.....	D14/205	D927,454 S	8/2021	Treski et al.	
D826,210 S *	8/2018	Chong	.....	D14/205	D928,734 S	8/2021	Brunner et al.	
D826,895 S *	8/2018	Sharp	.....	D14/205	2010/0040252 A1 *	2/2010	Thompson	..... H04R 1/083
D832,233 S	10/2018	Brunner et al.						381/375
D843,345 S	3/2019	Brunner et al.			2011/0228925 A1 *	9/2011	Birch	..... H04R 1/1041
D853,986 S	7/2019	Treski et al.						379/428.02
D860,969 S	9/2019	Brunner et al.			2016/0080853 A1 *	3/2016	Chen	..... H04R 1/1041
D863,256 S *	10/2019	Lindof	.....	D14/217				381/74
					2022/0014837 A1 *	1/2022	Kikuchi	..... H04R 1/1066
					2022/0386008 A1 *	12/2022	Okada	..... H04R 1/1008

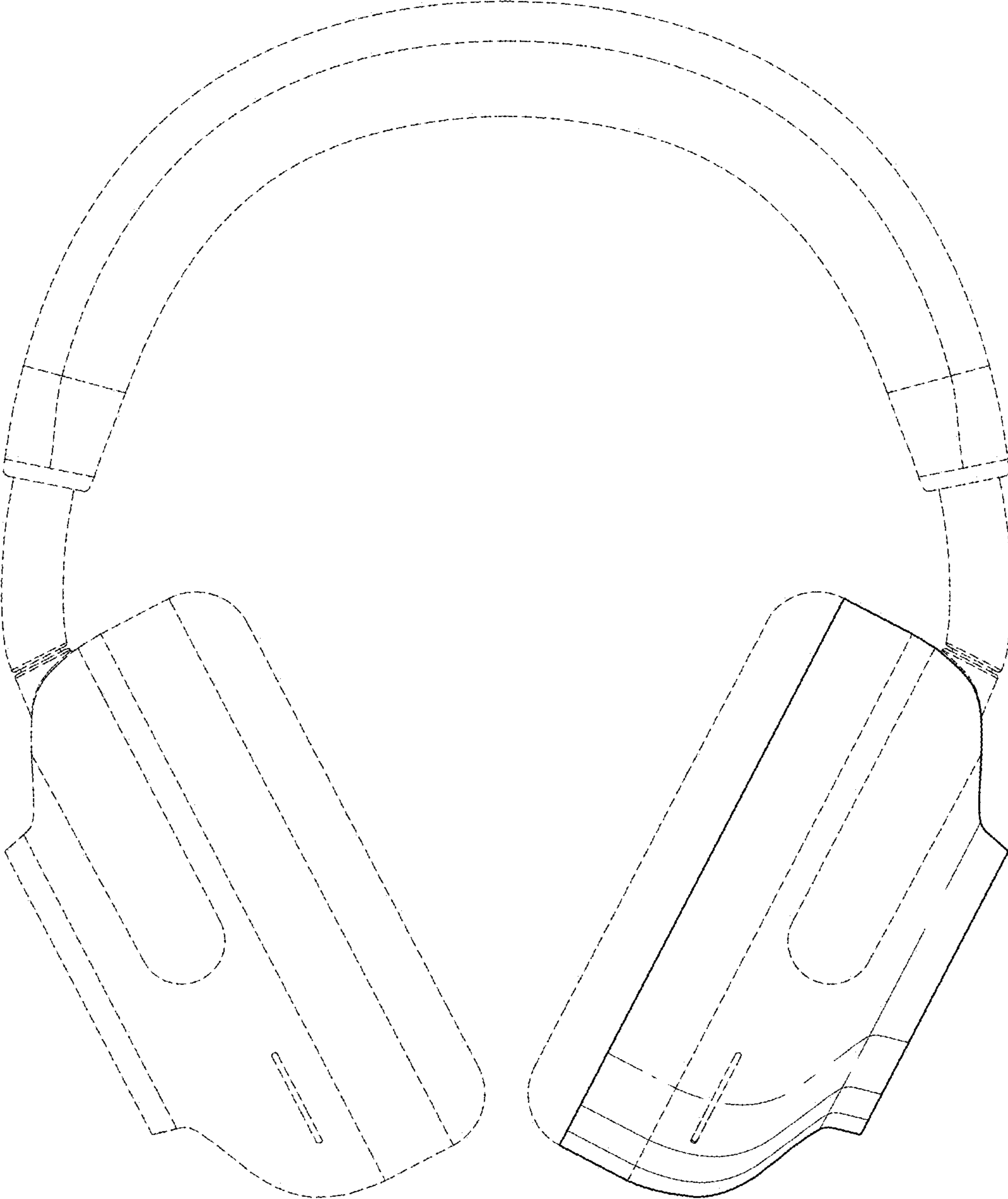
\* cited by examiner



**FIG. 1**



*FIG. 2*



*FIG. 3*

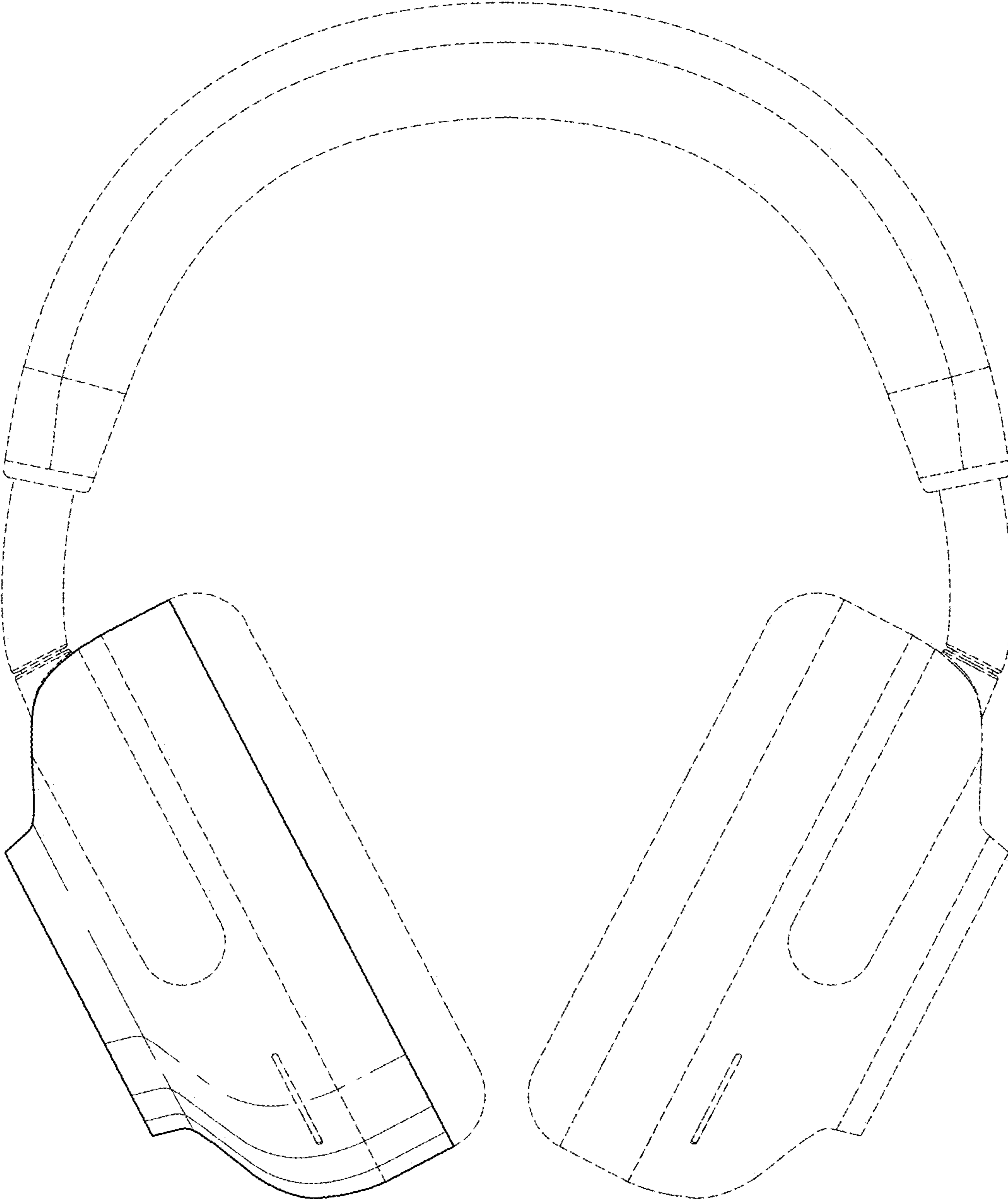
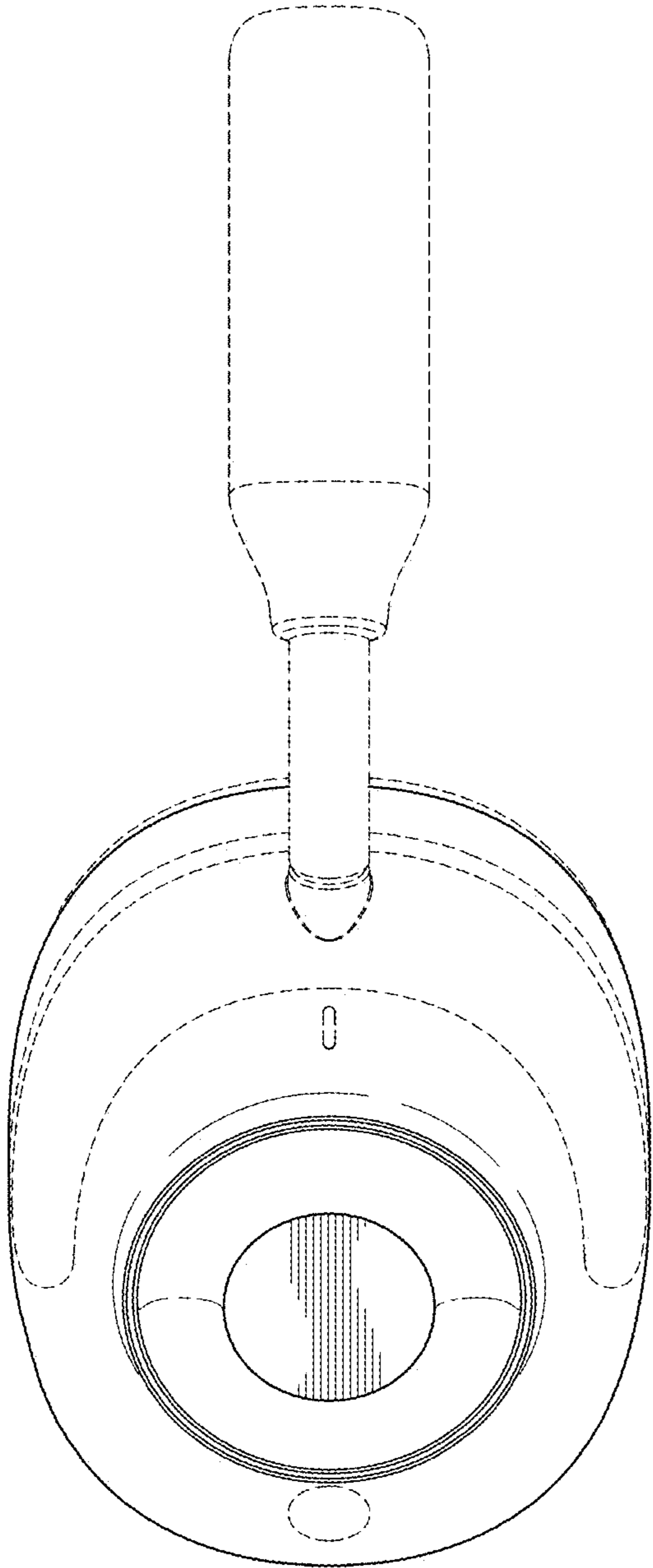
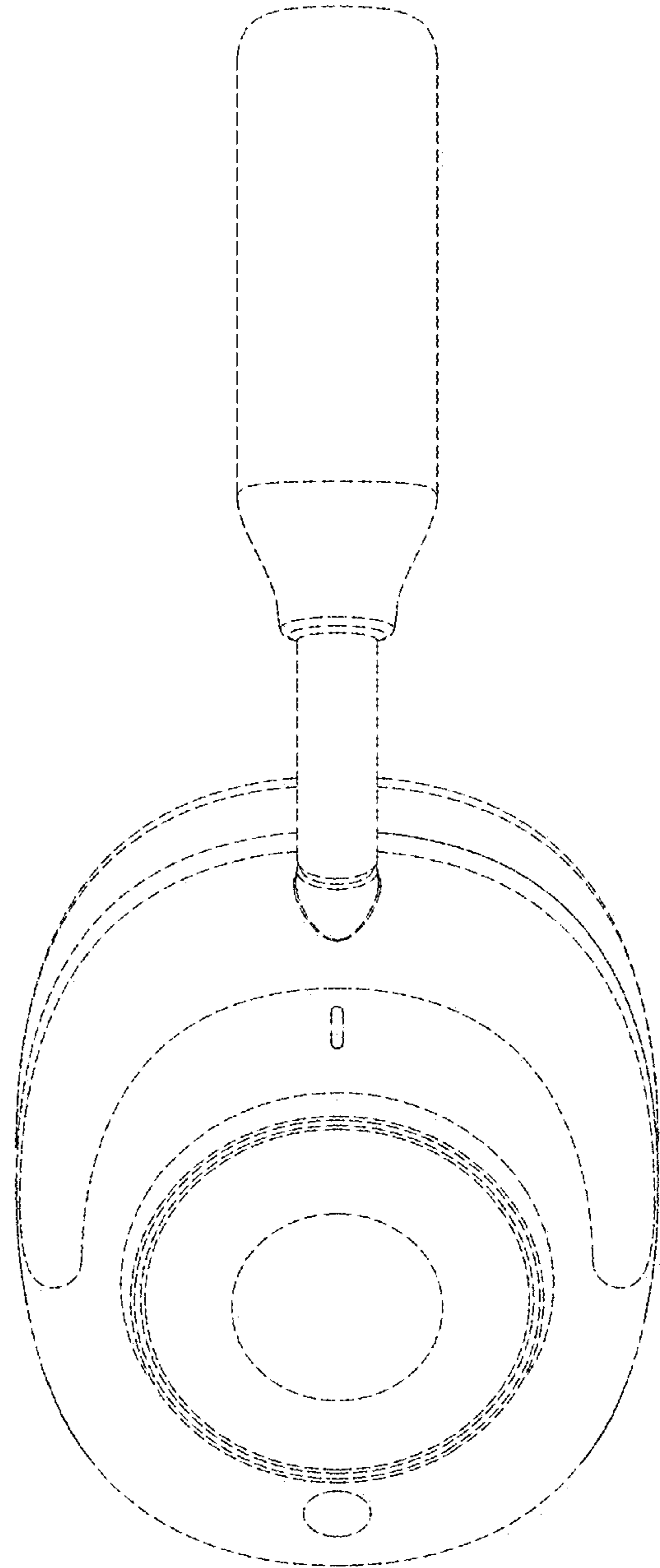


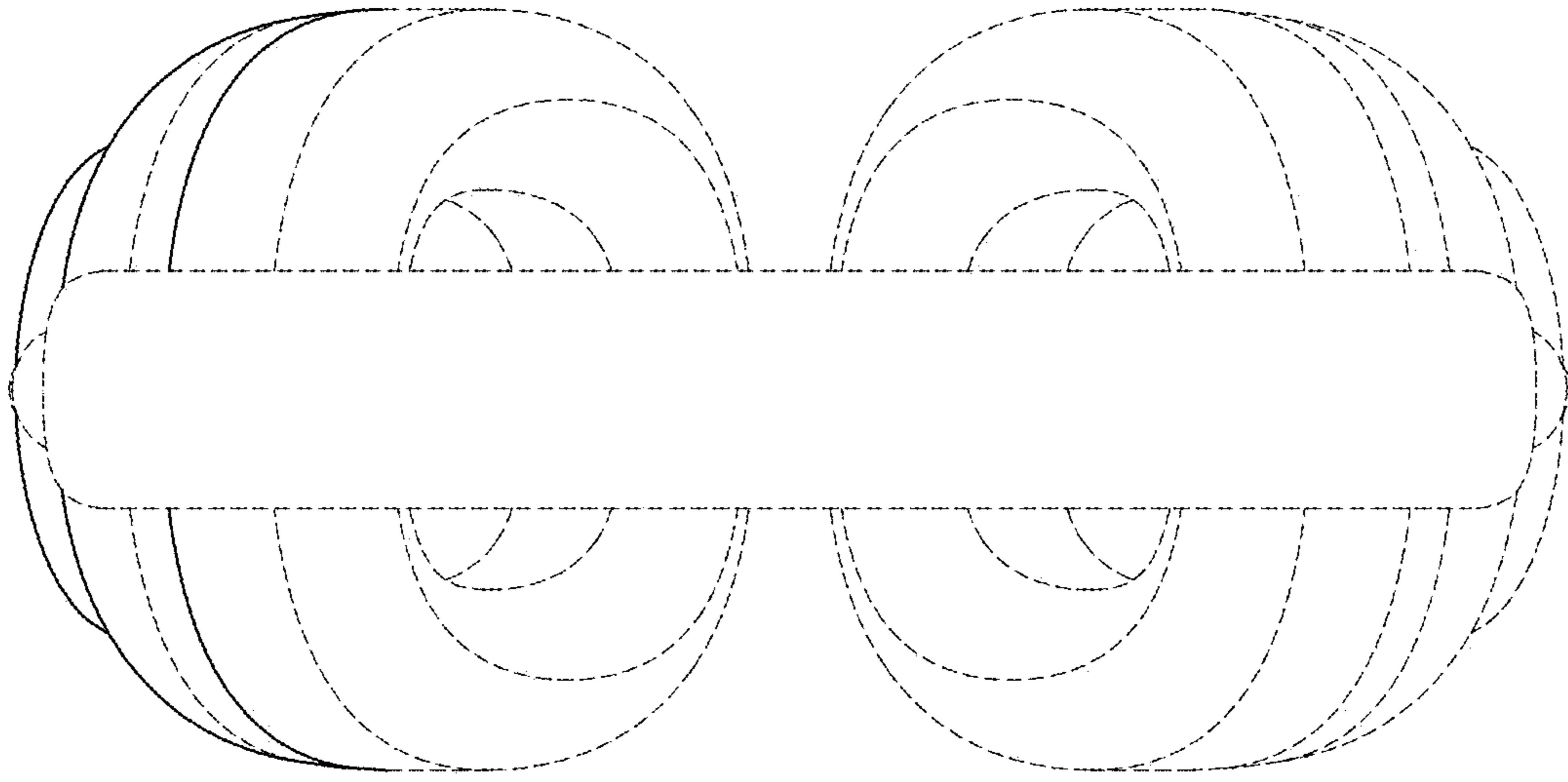
FIG. 4



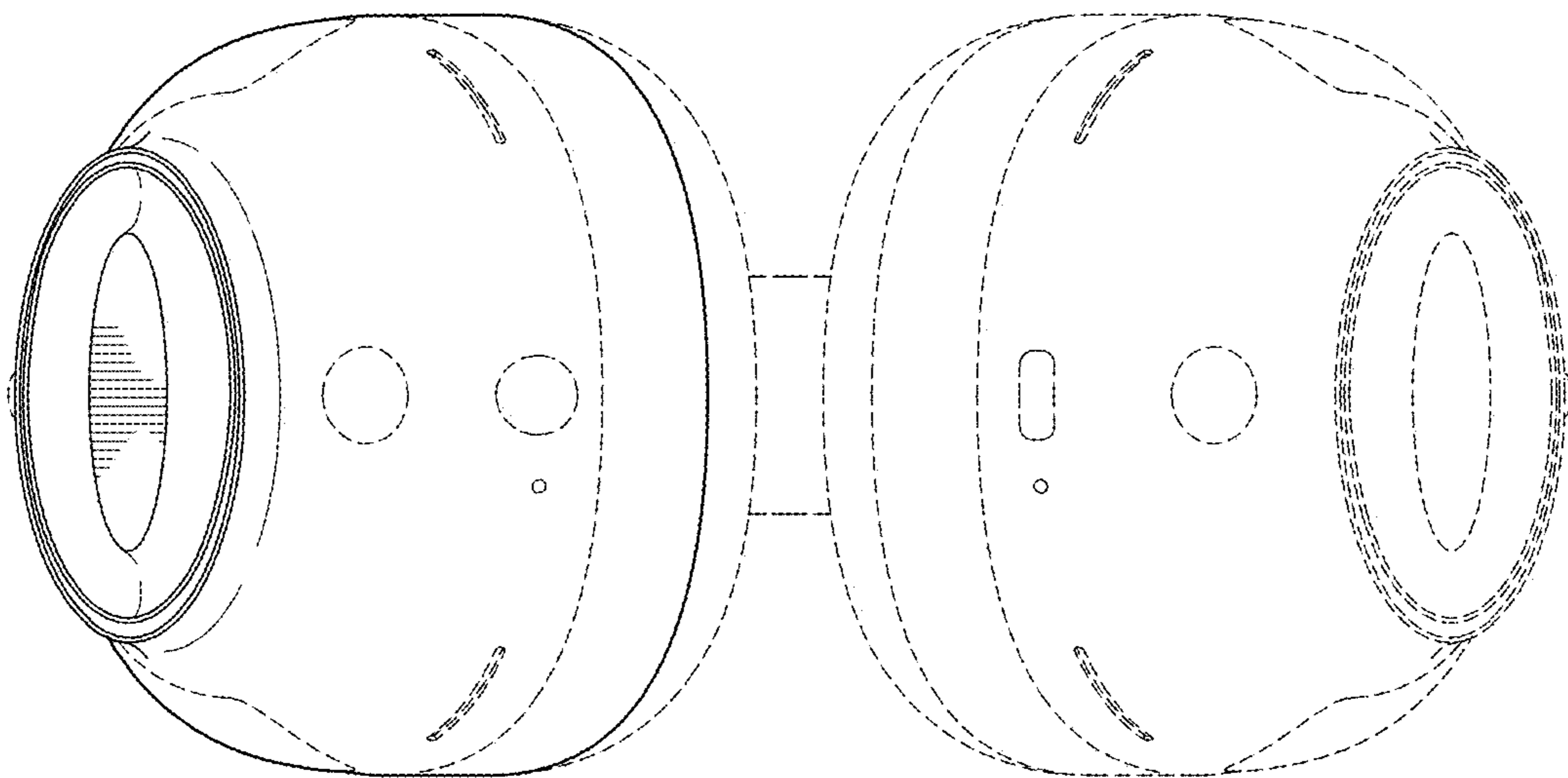
*FIG. 5*



*FIG. 6*



*FIG. 7*



*FIG. 8*