



US0D1046807S

(12) **United States Design Patent** (10) **Patent No.:** **US D1,046,807 S**
Liang (45) **Date of Patent:** **** Oct. 15, 2024**

(54) **RADIO RECEIVER**

(71) Applicant: **Zhongshan Youxin Electronic Technology Co., Ltd., Zhongshan (CN)**

(72) Inventor: **Yong Liang, Guizhou (CN)**

(**) Term: **15 Years**

(21) Appl. No.: **35/517,534**

(22) Filed: **May 30, 2023**

(80) **Hague Agreement Data**

Int. Filing Date: **May 30, 2023**

Int. Reg. No.: **DM/229436**

Int. Reg. Date: **May 30, 2023**

Int. Reg. Pub. Date: **Jun. 16, 2023**

(30) **Foreign Application Priority Data**

Dec. 14, 2022 (CN) 202230836758.4

(51) **LOC (14) Cl.** **14-03**

(52) **U.S. Cl.**
USPC **D14/194; D14/197; D14/172; D26/52; D26/38**

(58) **Field of Classification Search**

USPC D14/167, 168, 170-172, 188, 193-198, D14/203.1-203.8, 204, 209.1, 210-217, D14/219, 221, 222, 224, 239, 496; D26/38, 52

CPC B60R 11/0217; G06F 1/1688; G10K 9/22; G10K 11/004; H03F 1/327; H04M 1/03; H04M 1/035; H04N 5/642; H04N 21/4852; H04R 1/02; H04R 1/06; H04R 1/021; H04R 1/025; H04R 1/026; H04R 1/028; H04R 1/105; H04R 1/323; H04R 1/403; H04R 1/2803; H04R 1/2834; H04R 5/02; H04R 7/20; H04R 9/06; H04R 9/025; H04R 2201/021; H04R 2400/00; H04R 2400/07; H04R 2499/11; H04R 2499/13; H04R 2499/15; H04S 3/00; H04S 7/30

See application file for complete search history.

(56) **References Cited**

U.S. PATENT DOCUMENTS

D540,298 S *	4/2007	Amid-Hozour	D14/188
D950,513 S *	5/2022	Ou	D14/155
D986,847 S *	5/2023	Chen	D14/172
D999,753 S *	9/2023	Lin	D14/188
D1,014,451 S *	2/2024	Su	D14/188
D1,019,591 S *	3/2024	Huang	D14/188
D1,024,001 S *	4/2024	Su	D14/188
D1,025,943 S *	5/2024	Zhou	D14/188

(Continued)

OTHER PUBLICATIONS

Amazon-Nitego; “. . . Emergency Weather Radio . . .”; [online] ‘<https://www.amazon.com/dp/B0C57ZVV24>’; Dated May 15, 2023; Accessed Feb. 19, 2024; 6Pgs. (Year: 2023).*

(Continued)

Primary Examiner — Keli L Hill

(57) **CLAIM**

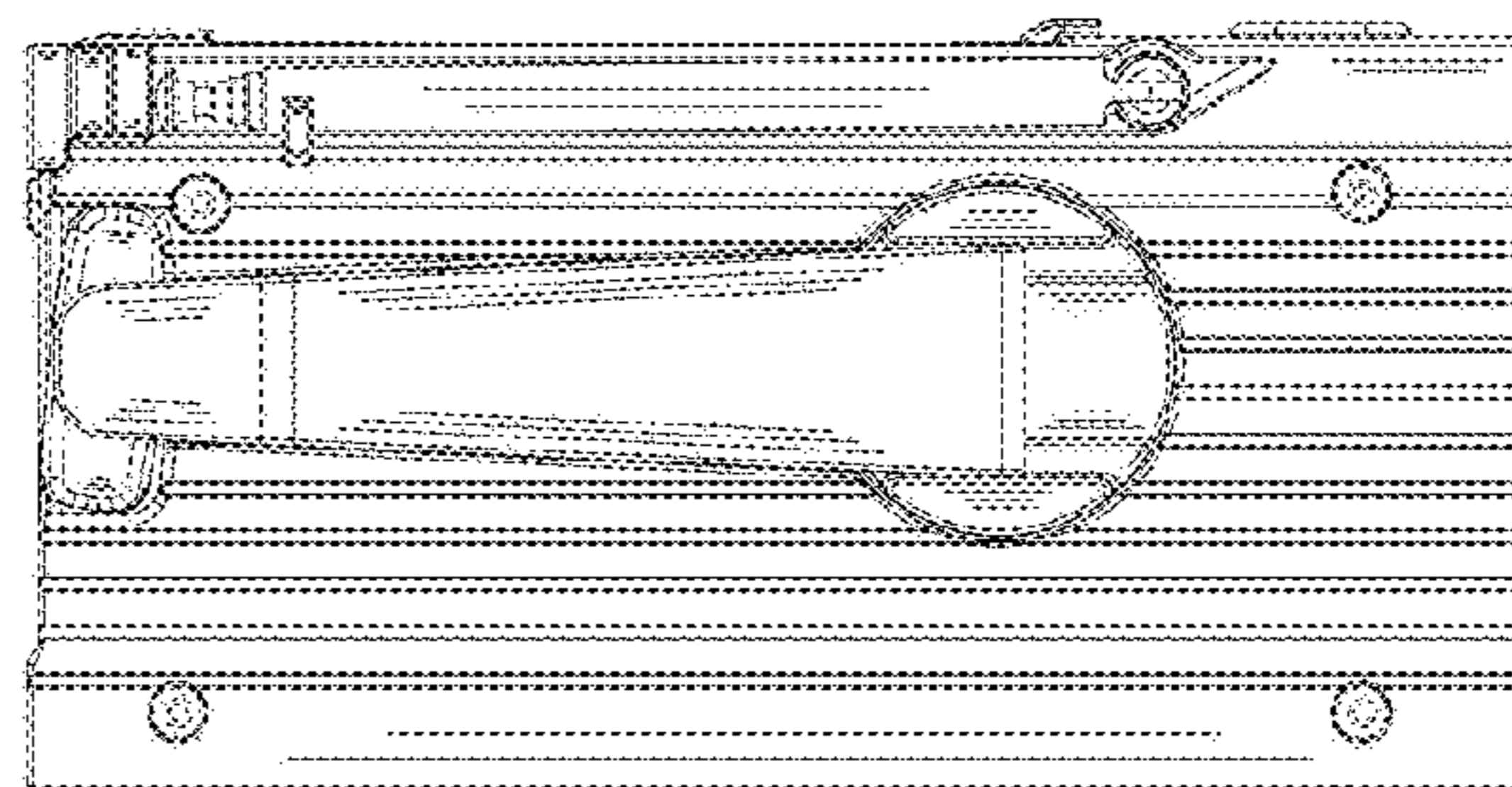
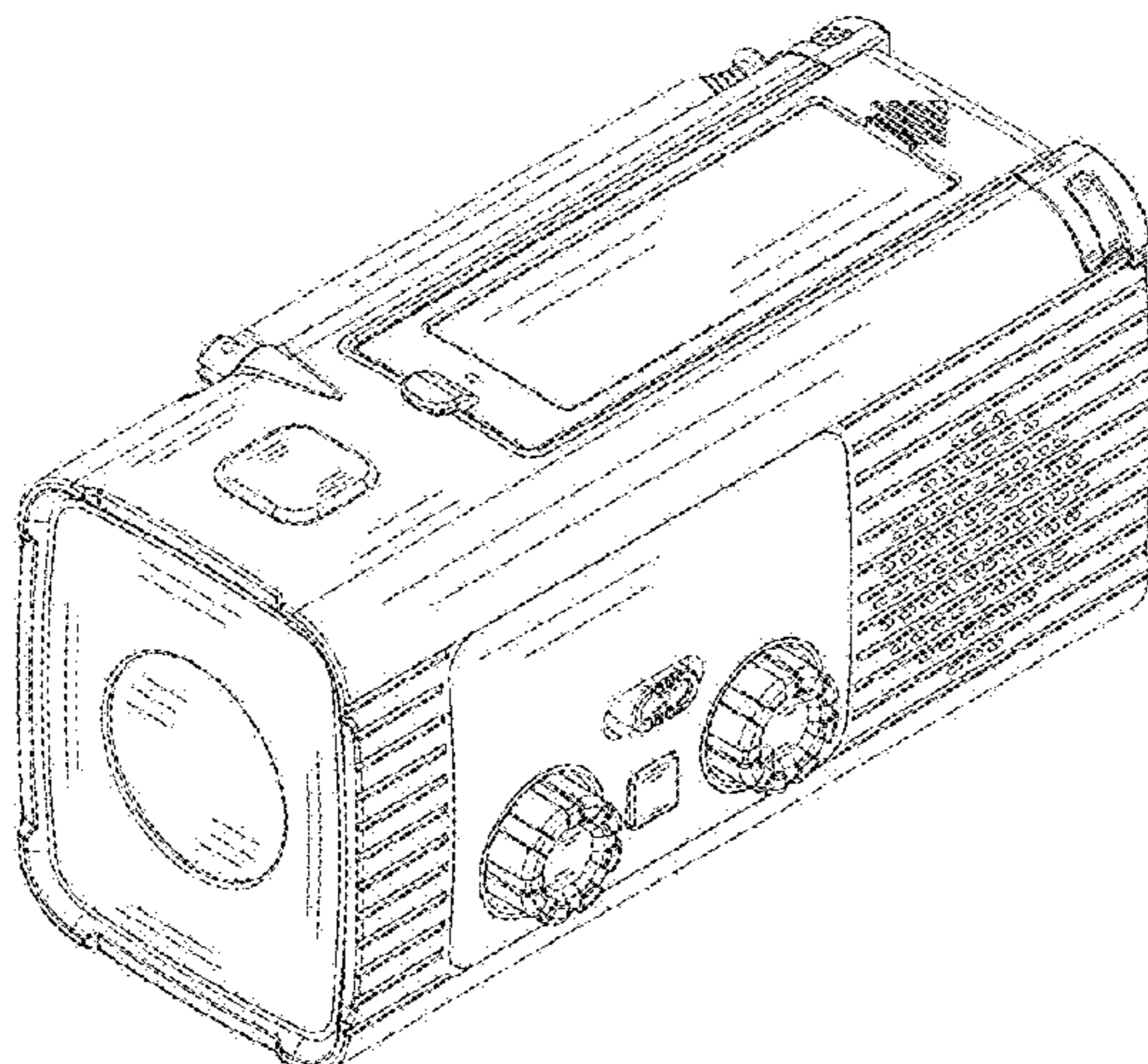
The ornamental design for a radio receiver as shown and described.

DESCRIPTION

- 1.1** : Perspective
- 1.2** : Front
- 1.3** : Back
- 1.4** : Top
- 1.5** : Bottom
- 1.6** : Left
- 1.7** : Right

The parts shown by means of broken lines in the reproductions are not part of the claimed design; Fig.1.1 is a perspective view of a radio receiver showing my new design; Fig. 1.2 is a front view thereof; Fig.1.3 is a back view thereof; Fig. 1.4 is a top view thereof; Fig.1.5 is a bottom view thereof; Fig.1.6 is a left thereof; and Fig.1.7 is a right side view thereof.

1 Claim, 7 Drawing Sheets



(56)

References Cited

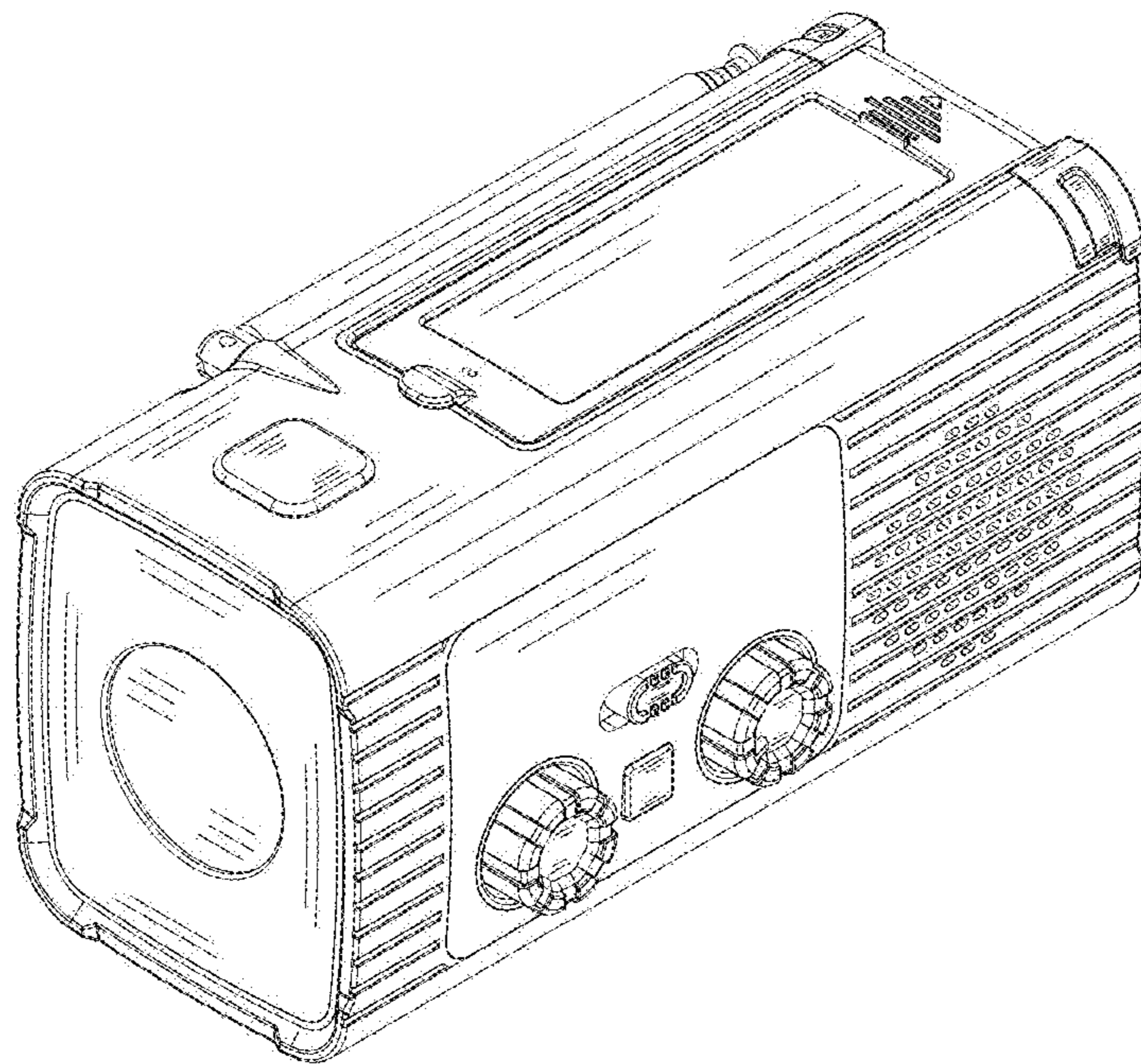
U.S. PATENT DOCUMENTS

D1,026,850	S	*	5/2024	Loh	D14/197
D1,027,891	S	*	5/2024	Chen	D14/188
D1,028,924	S	*	5/2024	Chen	D14/188
D1,028,933	S	*	5/2024	Liao	D14/194
D1,033,381	S	*	7/2024	Chen	D14/168
D1,034,507	S	*	7/2024	Chen	D14/188
D1,035,607	S	*	7/2024	Liang	D14/197
D1,038,061	S	*	8/2024	Ou	D14/188

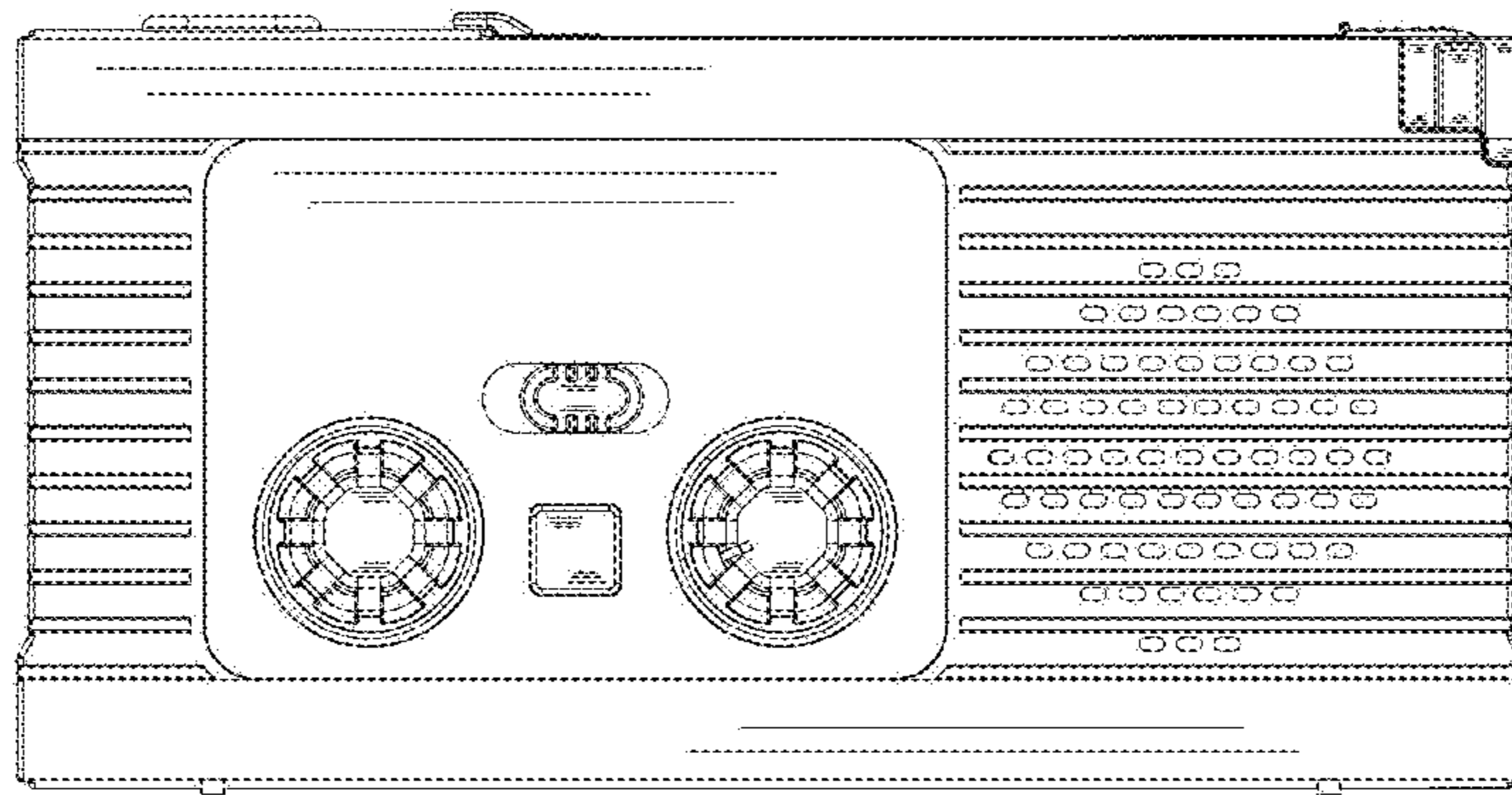
OTHER PUBLICATIONS

Amazon-Zjdydy; "Retro Radio Emergency FM/AM Radio . . . ";
[online] '<https://www.amazon.com/dp/B0BZVJKFQL>'; Dated Apr.
3, 2023; Accessed Mar. 8, 2024; 2Pgs. (Year: 2023).*

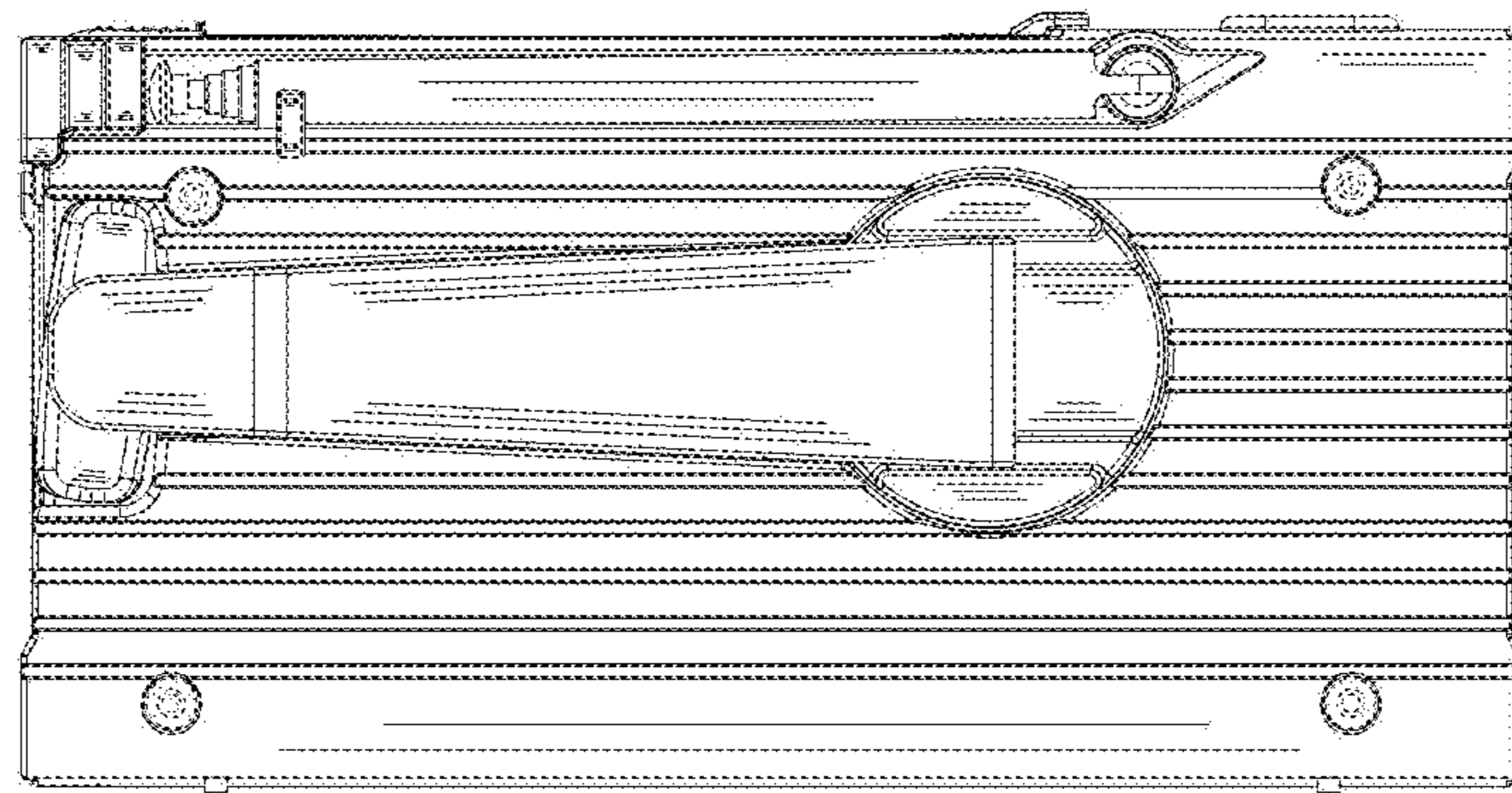
* cited by examiner



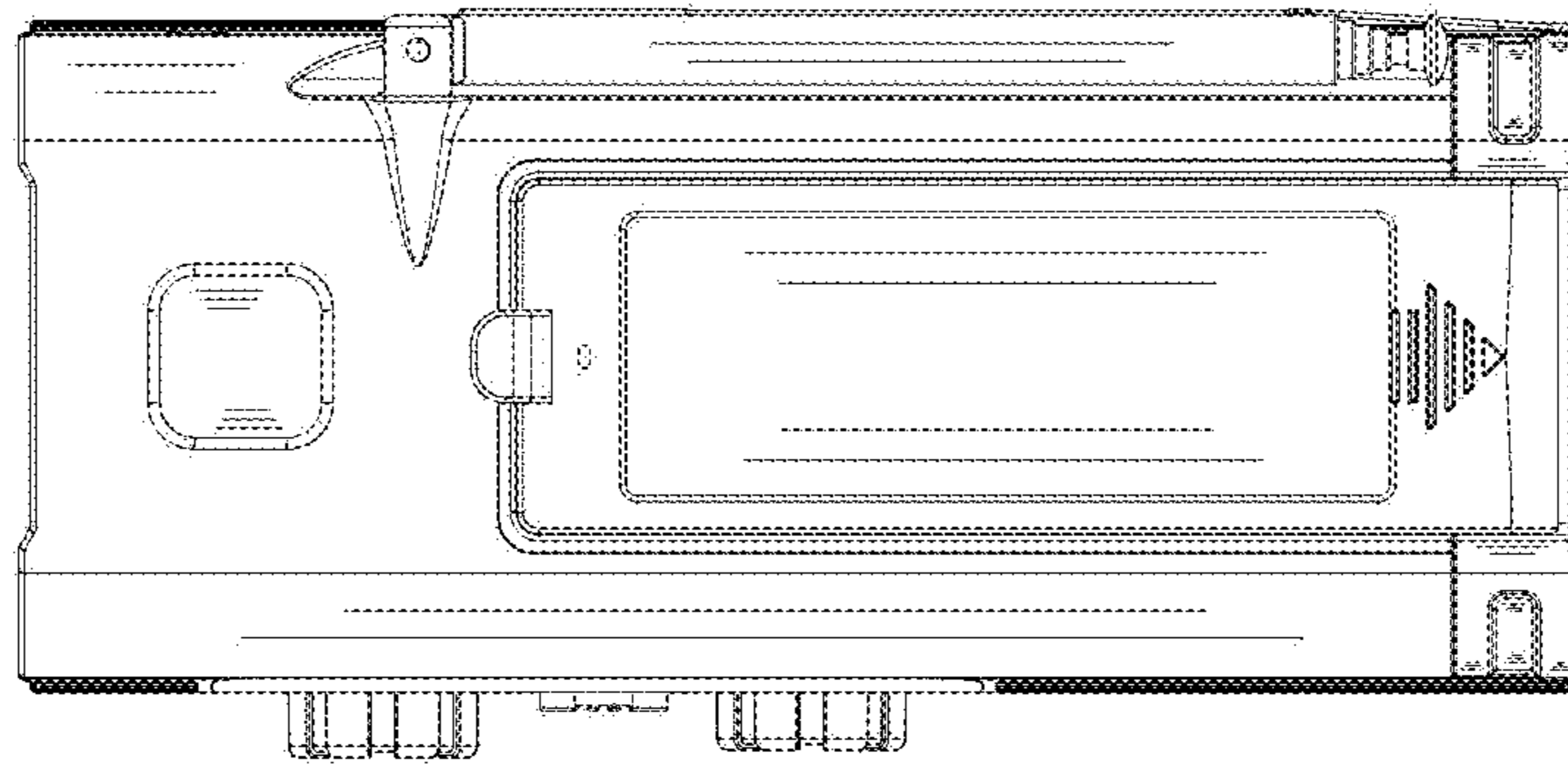
1.1



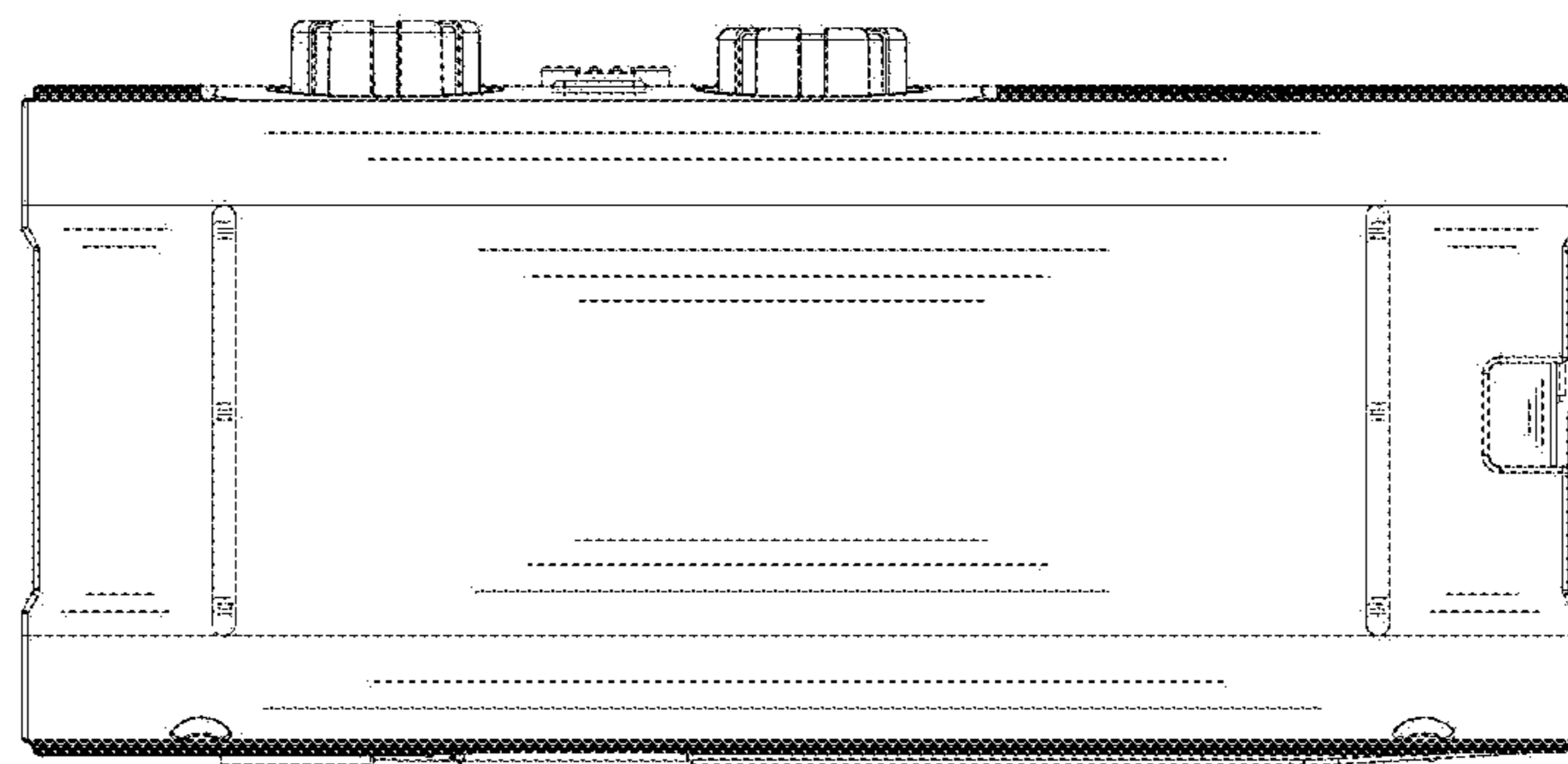
1.2



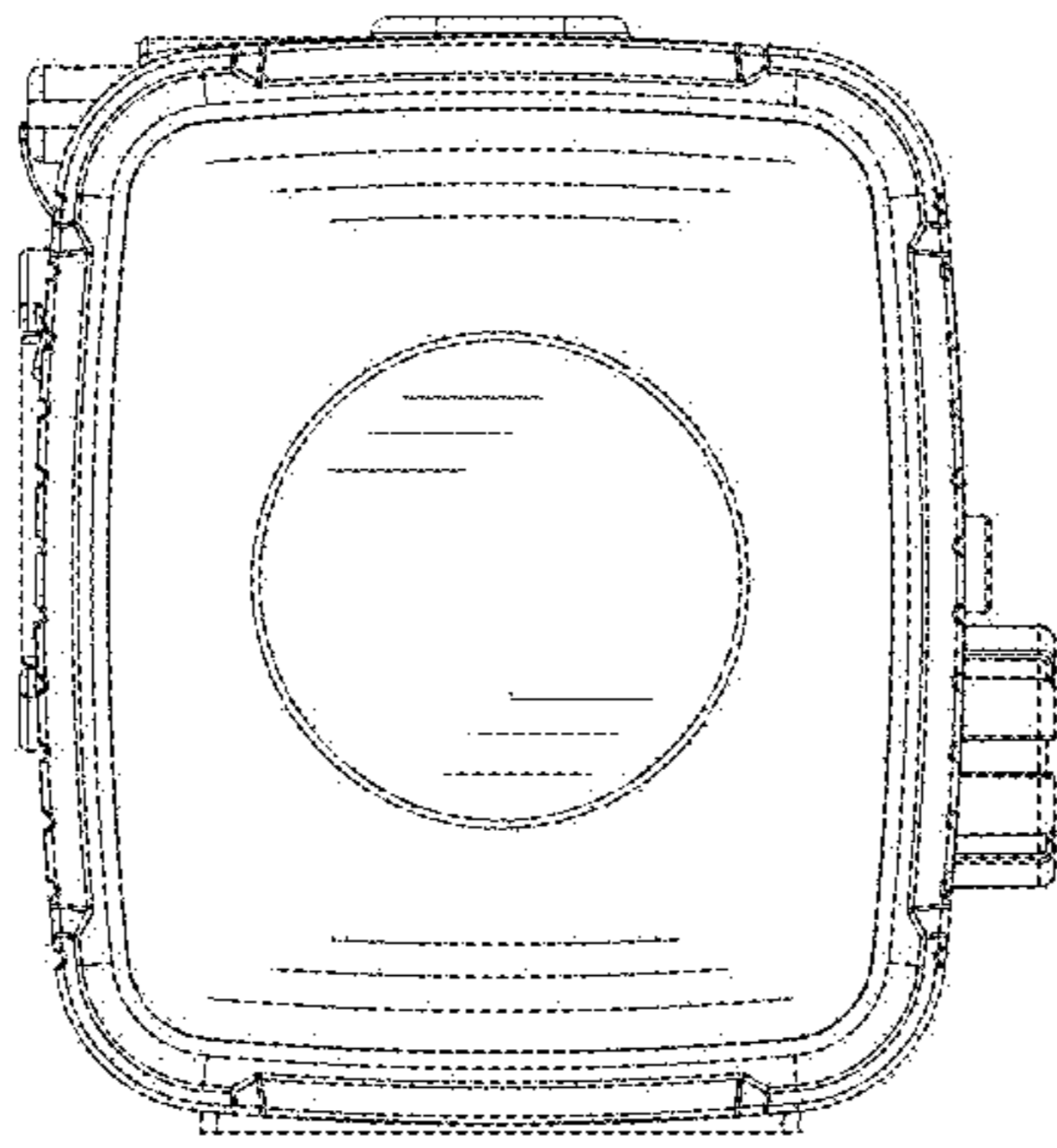
1.3



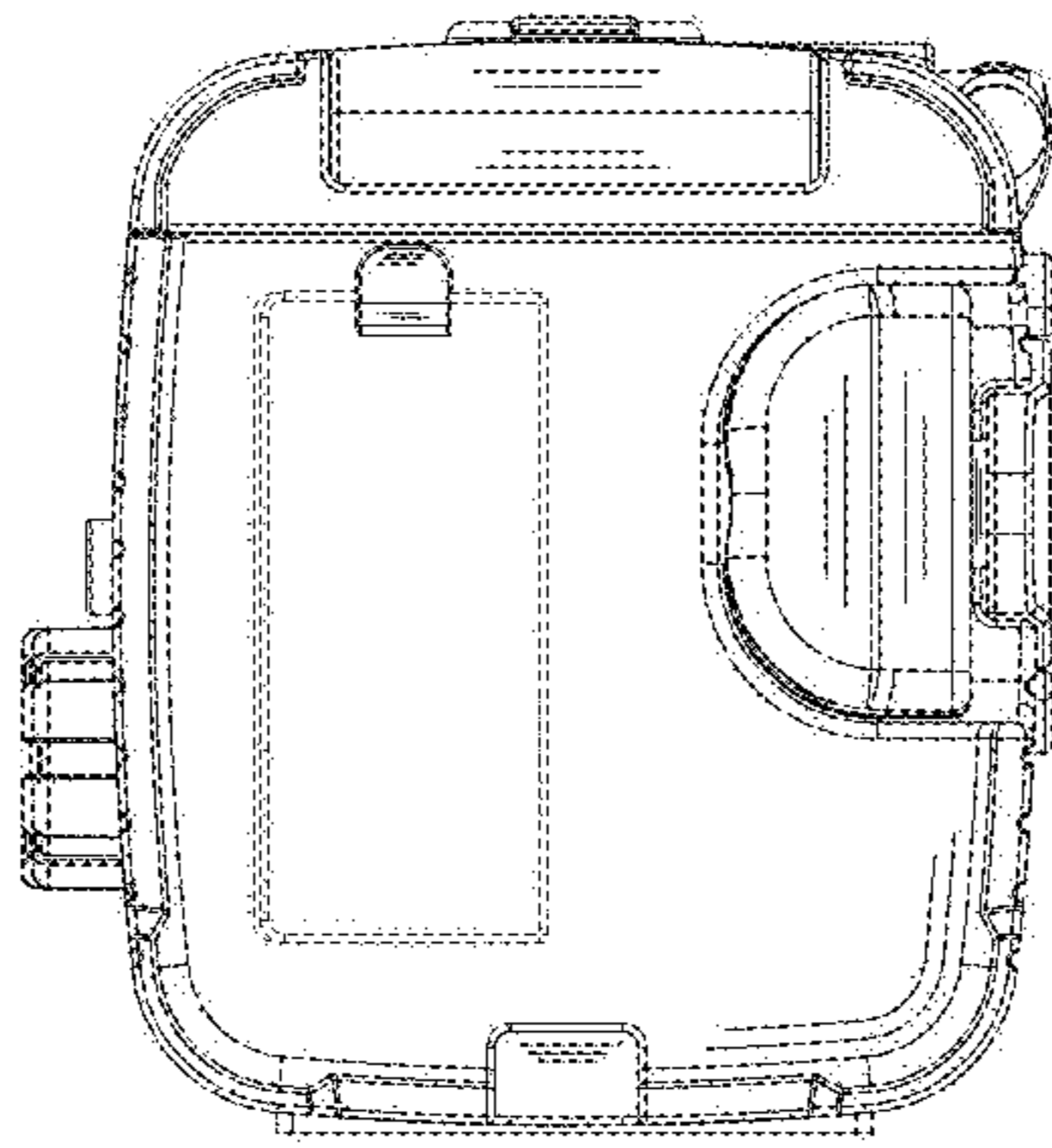
1.4



1.5



1.6



1.7