



US0D1046744S

(12) **United States Design Patent** (10) **Patent No.:** **US D1,046,744 S**  
**Coussens et al.** (45) **Date of Patent:** **\*\* Oct. 15, 2024**

(54) **WHEEL**

(71) Applicant: **REV Robotics LLC**, Carrollton, TX (US)

(72) Inventors: **Nicholas James Coussens**, Chicago, IL (US); **Orion Christopher DeYoe**, Irving, TX (US); **Gregory Elliott Needel**, Coppell, TX (US); **David Aaron Yanoshak**, Dallas, TX (US)

(73) Assignee: **REV Robotics LLC**, Carrollton, TX (US)

(\*\*) Term: **15 Years**

(21) Appl. No.: **29/834,695**

(22) Filed: **Apr. 13, 2022**

(51) **LOC (14) Cl.** ..... **12-16**

(52) **U.S. Cl.**  
USPC ..... **D12/204**

(58) **Field of Classification Search**  
USPC ..... D12/204-213, 501; D21/563, 779; D8/375; D3/318; D32/31; D15/199  
CPC .... B60B 7/00; B60B 7/01; B60B 7/02; B60B 7/04; B60B 7/06; B60B 3/02; B60B 3/04; B60B 3/06; B60B 3/10; B60B 1/00; B60B 1/08; B60B 1/10; B60B 1/12  
See application file for complete search history.

(56) **References Cited**

**U.S. PATENT DOCUMENTS**

888,114 A	5/1908	Numan
910,192 A	1/1909	Grouvelle et al.
2,472,742 A	6/1949	Theophilus
2,495,952 A	1/1950	James
2,569,590 A	10/1951	Schoyck
2,835,275 A	5/1958	Scholten
4,424,047 A	1/1984	Welschof et al.
4,472,156 A	9/1984	Orain
4,832,637 A	5/1989	Goluba

5,158,389 A	10/1992	Osterwald et al.
D404,000 S *	1/1999	Melbinger ..... 74/552
6,368,223 B1	4/2002	Ouchi et al.
6,450,585 B1	9/2002	Kochsiek
6,550,975 B2	4/2003	Inoue et al.
6,551,190 B2	4/2003	Hofmann et al.
6,692,157 B2	2/2004	Sahashi et al.
D499,061 S *	11/2004	Echazabal ..... D12/209

(Continued)

**FOREIGN PATENT DOCUMENTS**

JP 60042101 3/1985

**OTHER PUBLICATIONS**

Drive Shafts, Inc. "Agricultural Driveshafts", <https://www.driveshaftsoftulsa.com/pages/agricultural-drive-shafts>, accessed as least as early as Oct. 30, 2023, 7 pages.

(Continued)

*Primary Examiner* — Mark A Goodwin

*Assistant Examiner* — Adam C Mager

(74) *Attorney, Agent, or Firm* — David W. Carstens; Stephen Y. Liu; Carstens, Allen & Gourley, LLP

(57) **CLAIM**

The ornamental design for a wheel, as shown and described.

**DESCRIPTION**

FIG. 1 is a perspective view taken from the front, the top and the right of a wheel.

FIG. 2 is a perspective view taken from the rear, the bottom and the left of the wheel.

FIG. 3 is a front view of the wheel.

FIG. 4 is a rear view of the wheel.

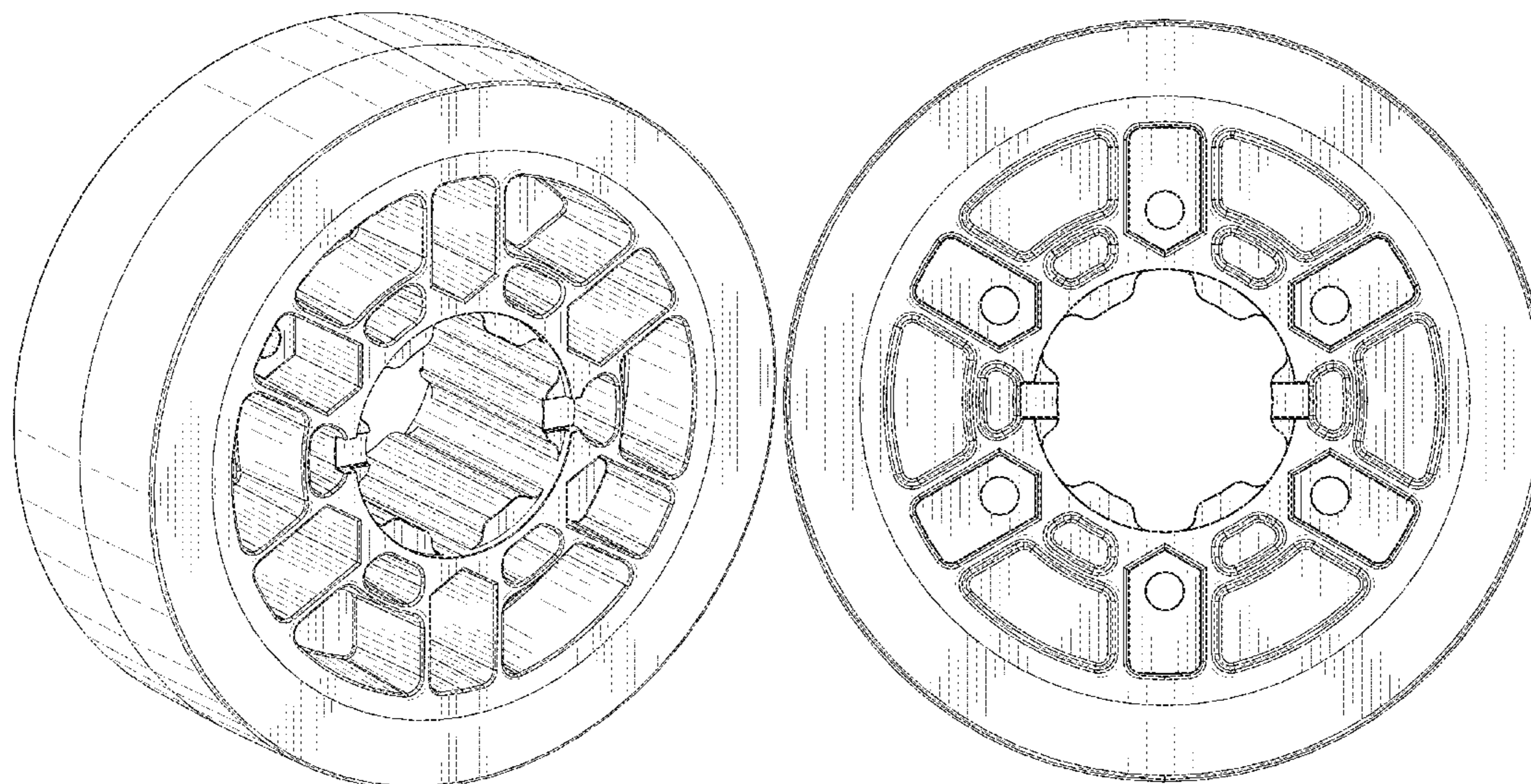
FIG. 5 is a left side view of the wheel.

FIG. 6 is a right side view of the wheel.

FIG. 7 is a top view of the wheel; and,

FIG. 8 is a bottom view of the wheel.

**1 Claim, 6 Drawing Sheets**



(56)

References Cited

U.S. PATENT DOCUMENTS

D535,239	S *	1/2007	Hovind	.....	D12/209
7,231,949	B2	6/2007	Tuggle		
7,249,528	B2	7/2007	Inoue		
D569,778	S *	5/2008	Kim	.....	D12/211
D782,383	S *	3/2017	Owens	.....	D12/209
9,623,702	B2	4/2017	Fudemoto et al.		
D789,861	S *	6/2017	Macey	.....	D12/209
D876,314	S *	2/2020	Han	.....	D12/211
10,563,693	B2	2/2020	Sguotti et al.		
D893,380	S *	8/2020	Vincent	.....	D12/209
D896,153	S *	9/2020	Hoste	.....	D12/209
D899,998	S *	10/2020	Carbis	.....	D12/209
D917,368	S *	4/2021	Kaneko	.....	D12/211
D941,731	S *	1/2022	Podlovits	.....	D12/209
D987,532	S *	5/2023	Kasper	.....	D12/211
2006/0145531	A1	7/2006	Galvanin		
2017/0058940	A1	3/2017	Wehner et al.		

OTHER PUBLICATIONS

MR Driveline, Star Tube, <https://www.ujdriveshaft.com/product/star-tube/>, accessed at least as early as Oct. 30, 2023 6 pages.  
 Pat's Driveline, "Agricultural PTO Shaft Tubing", <https://patsdriveline.com/products-services/agricultural-products/pto-shaft-tubing/>, accessed at least as early as Oct. 30, 2023, 6 pages.

PaulB Hardware, AW35, AW36, AW26 series star profile tube, clearanced for uncoated tube, <https://paulbhardware.com/pto-outer-w2400-2500-inner-w2600-6007961>, accessed at least as early as Oct. 30, 2023, 1 page.  
 Quality Farm Supply, PTO Repair Tubes and Shafts, <https://qualityfarmsupply.com/collections/pto-repair-tubing-and-shafting>, accessed at least as early as Oct. 30, 2023, 22 pages.  
 Sparex Agricultural Parts, PTO Tube—Star Profile, <https://export.sparex.com/pto-tube-star-profile-length-1m-s5-24821.html>, accessed at least as early as Oct. 30, 2023, 3 pages.  
 Tube MFG, Shaped Steel Tubes, <https://www.tubemfg.com/product/other-products/Shaped-Steel-Tubes.html>, accessed at least as early as Oct. 30, 2023, 3 pages.  
 Weasler Engineering, Inc., Star Profile Tube, <https://www.weasler.com/product/star-profile-tube-2/>, accessed at least as early as Oct. 30, 2023, 4 pages.  
 24 Best and Coolest Star Socket Sets for 2019; Posted in Power and Hand Tools by Admin on Dec. 5, 2019; <https://www.hotpowerhandtools.com/24-best-and-coolest-star-socket-sets-for-2019/>.  
 3D ContentCentra—Free 3D CAD Models, 2D Drawings, and Supplier Catalogs; <https://www.3dcontentcentral.com/parts/supplier/REV-Robotics/102733.aspx>.  
 Auto Quarterly; Best Socket Sets to Expand Your Toolbox; Last Updated Mar. 19, 2021, Posted in Reviews, Tools; <https://autoquarterly.com/best-socket-sets/>.

\* cited by examiner



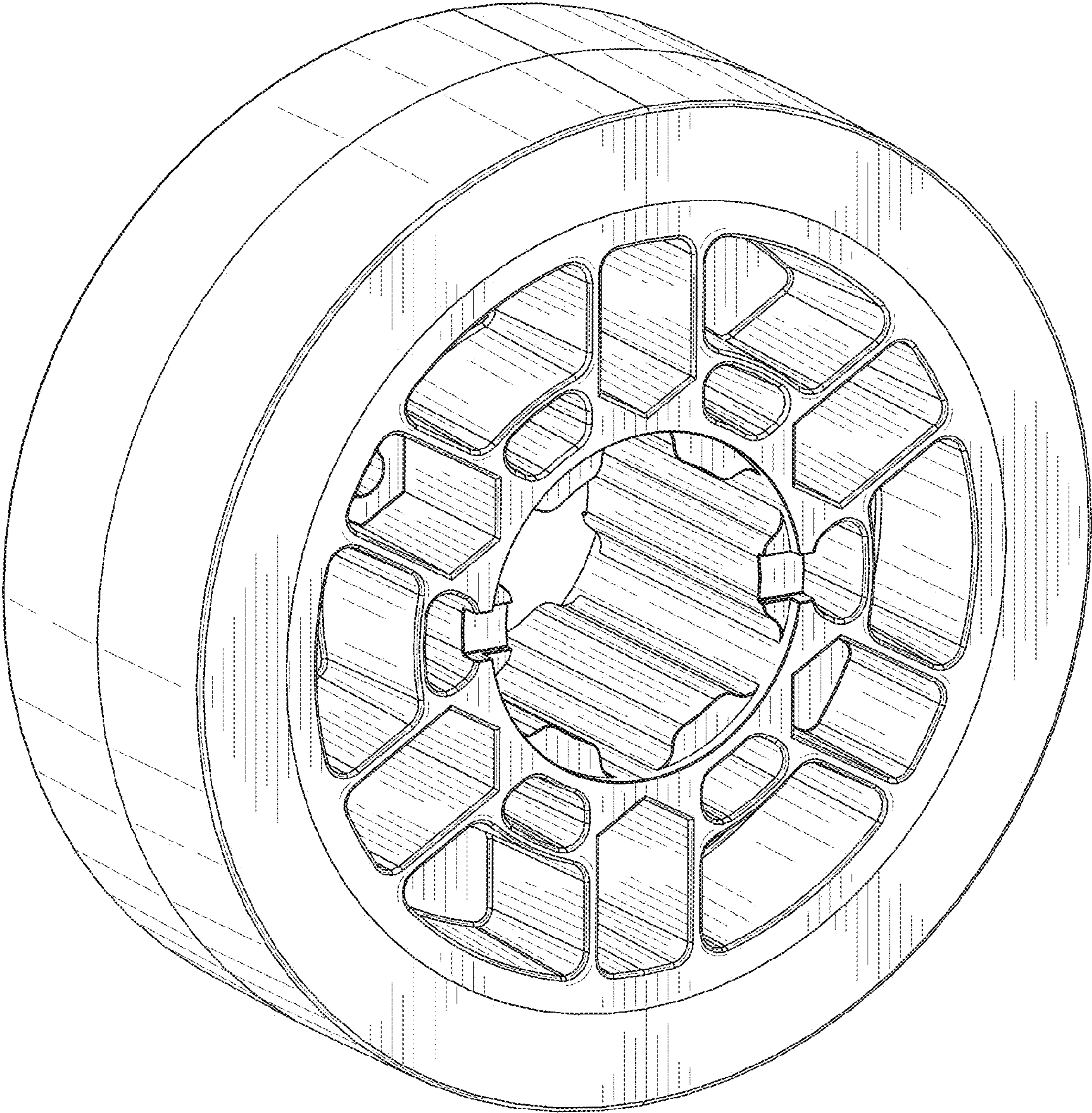


FIG. 1



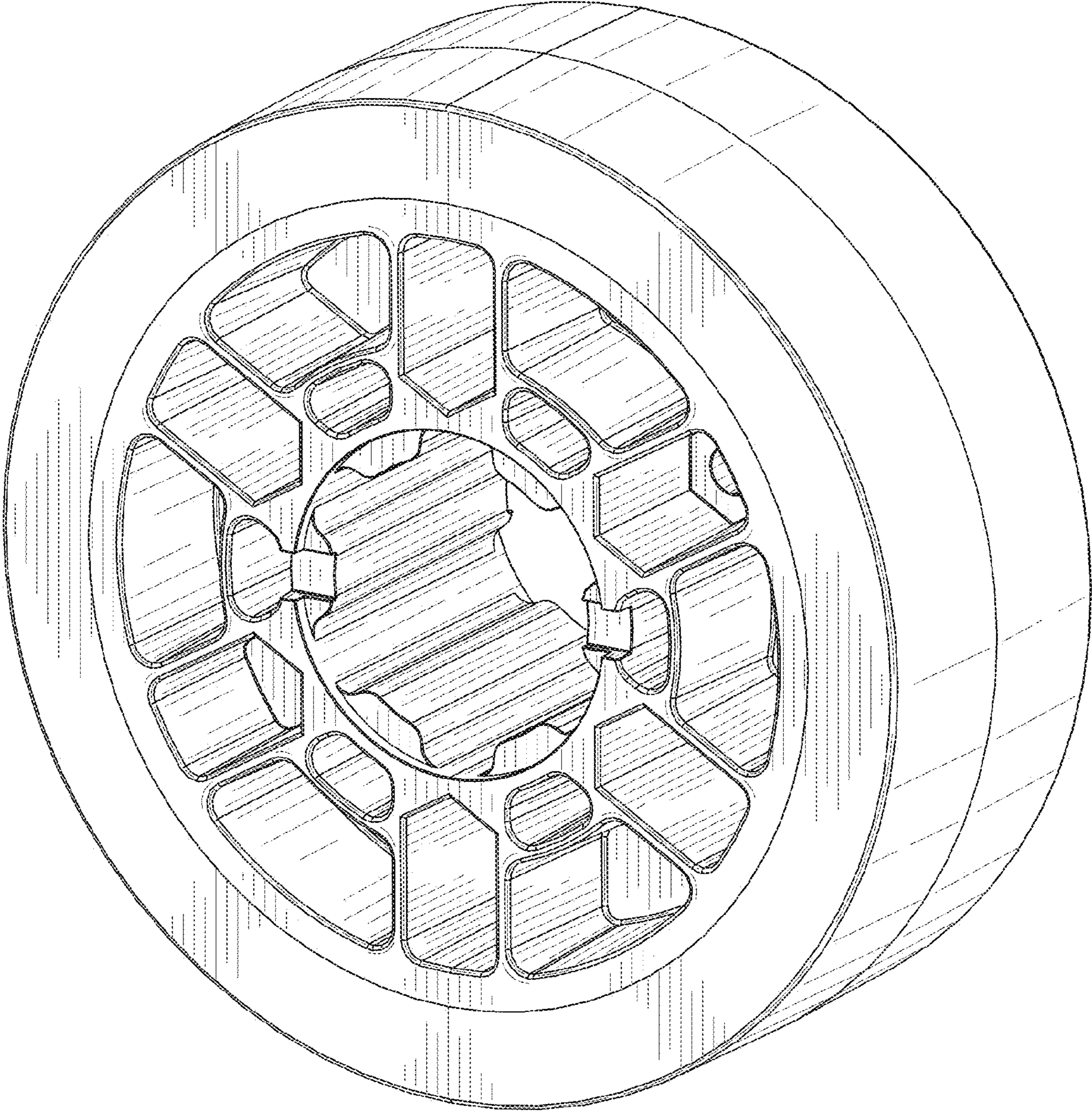
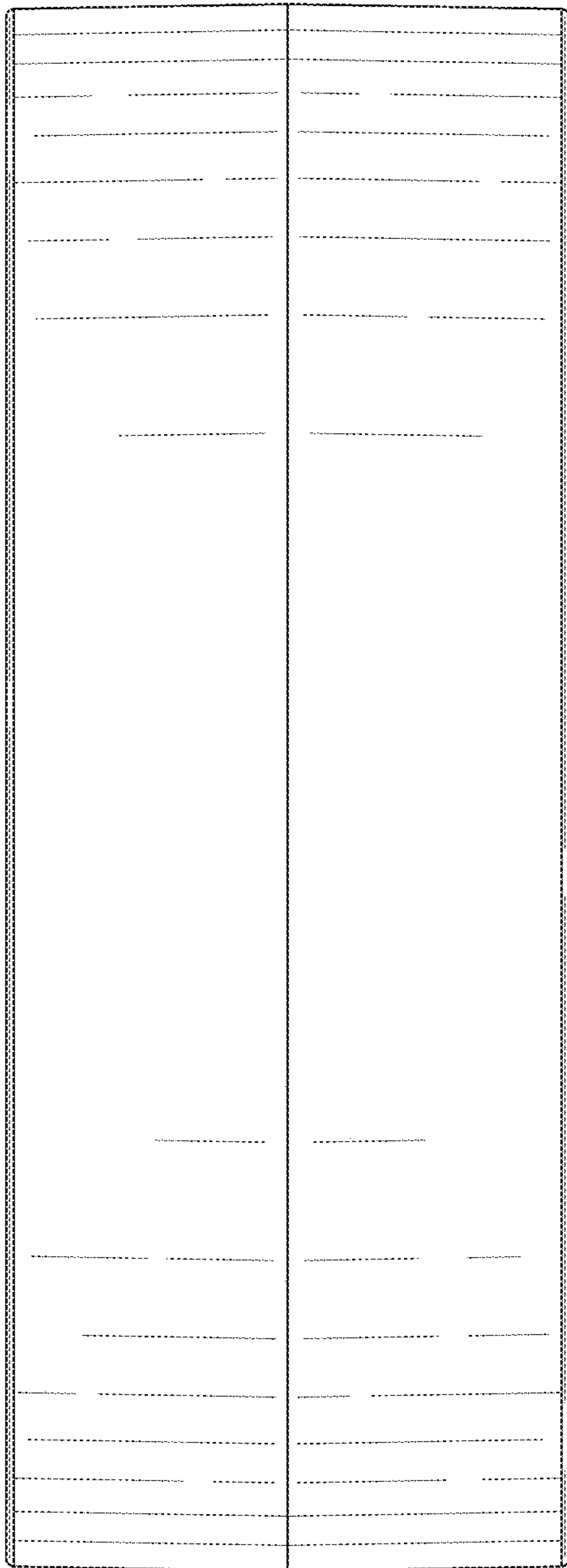
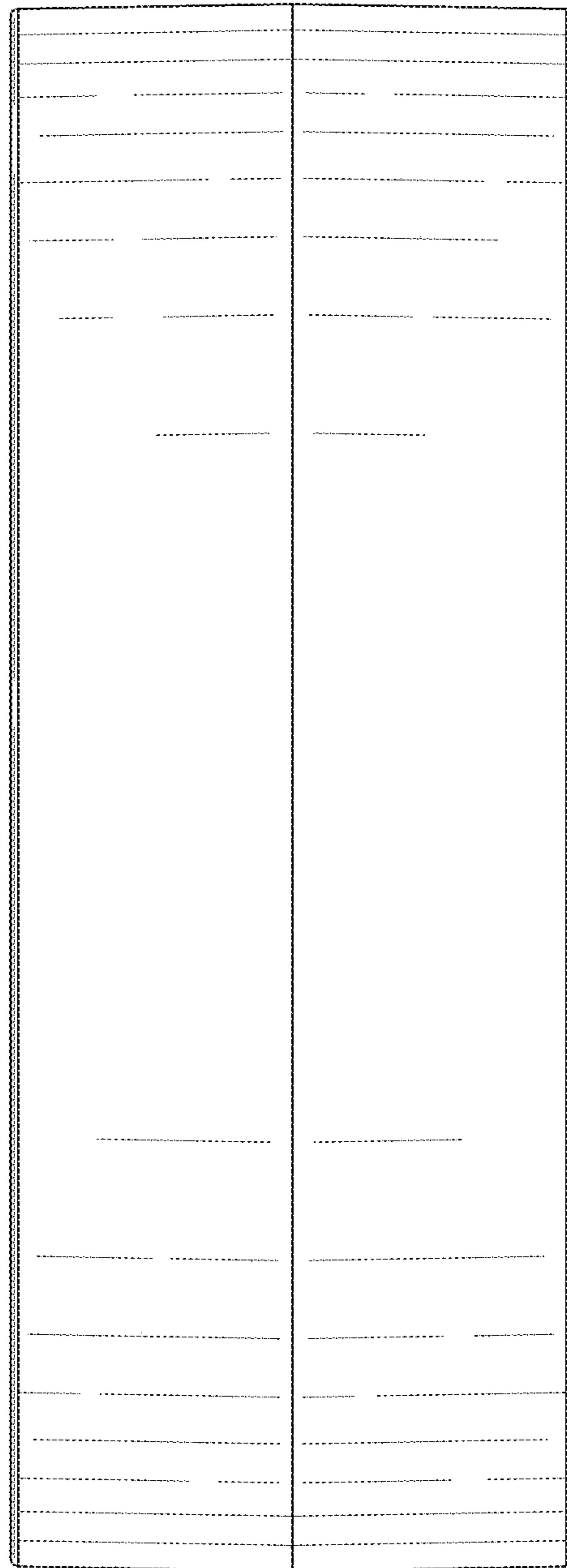


FIG. 2



**FIG. 3**



**FIG. 4**



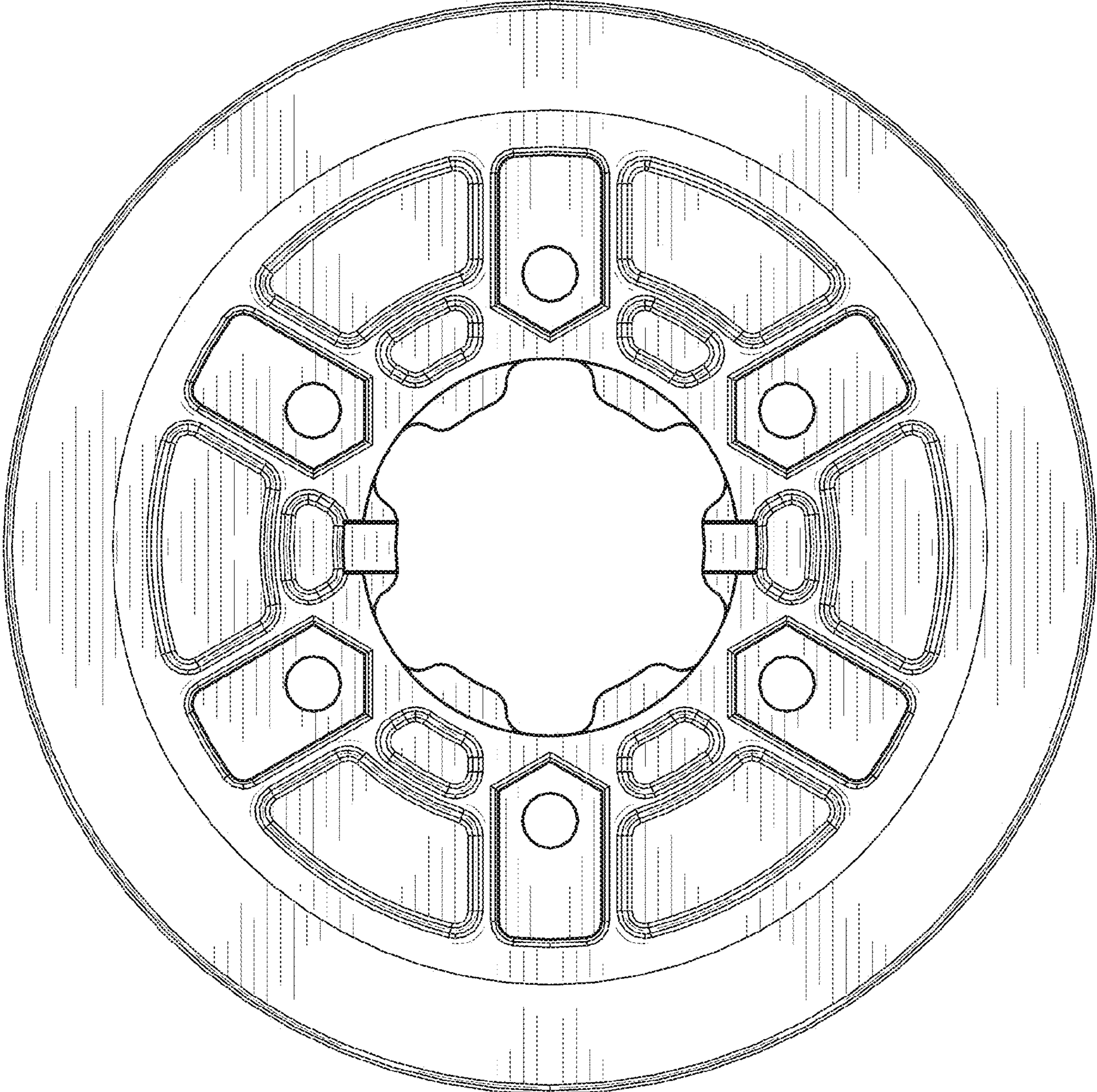
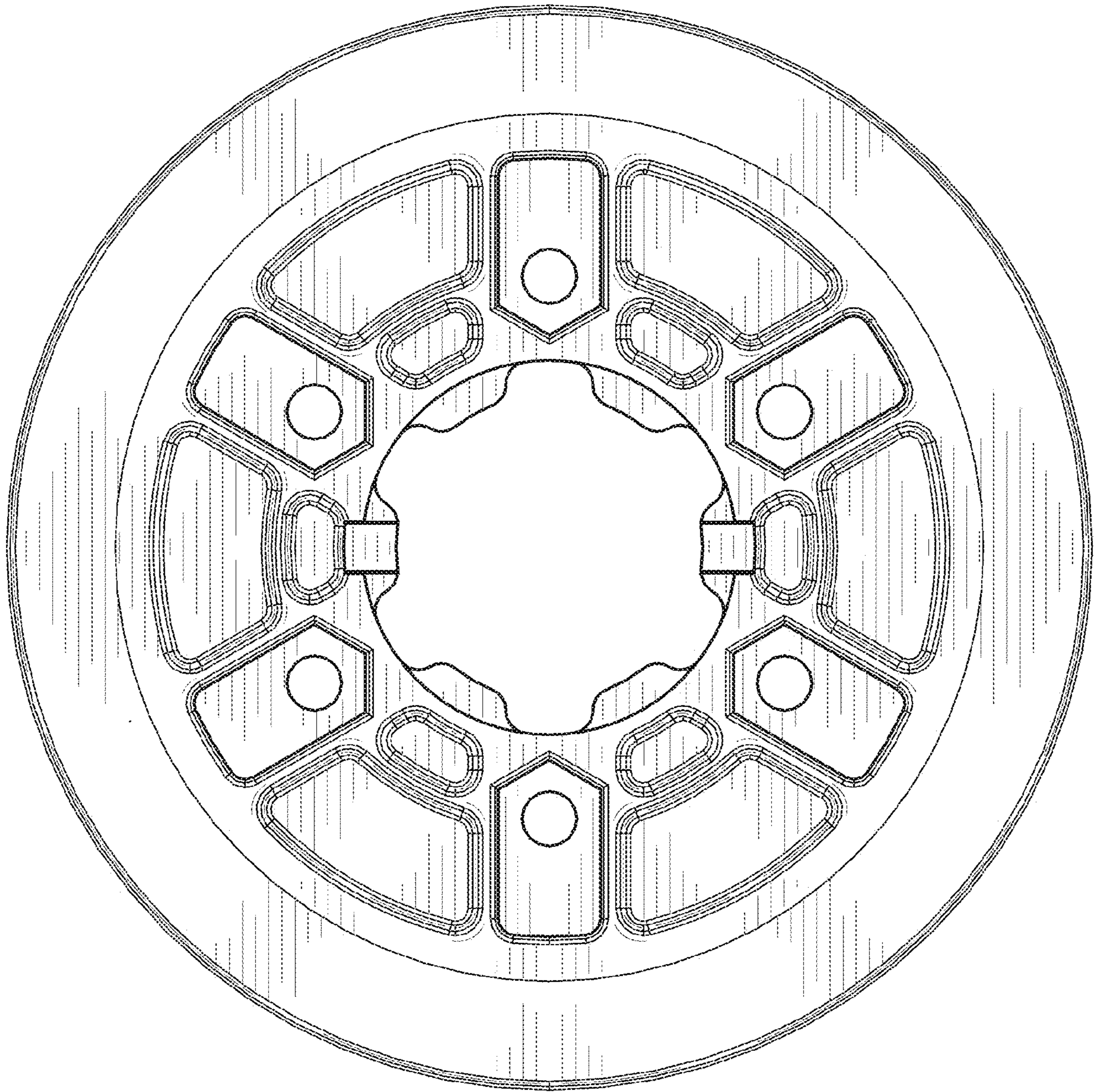
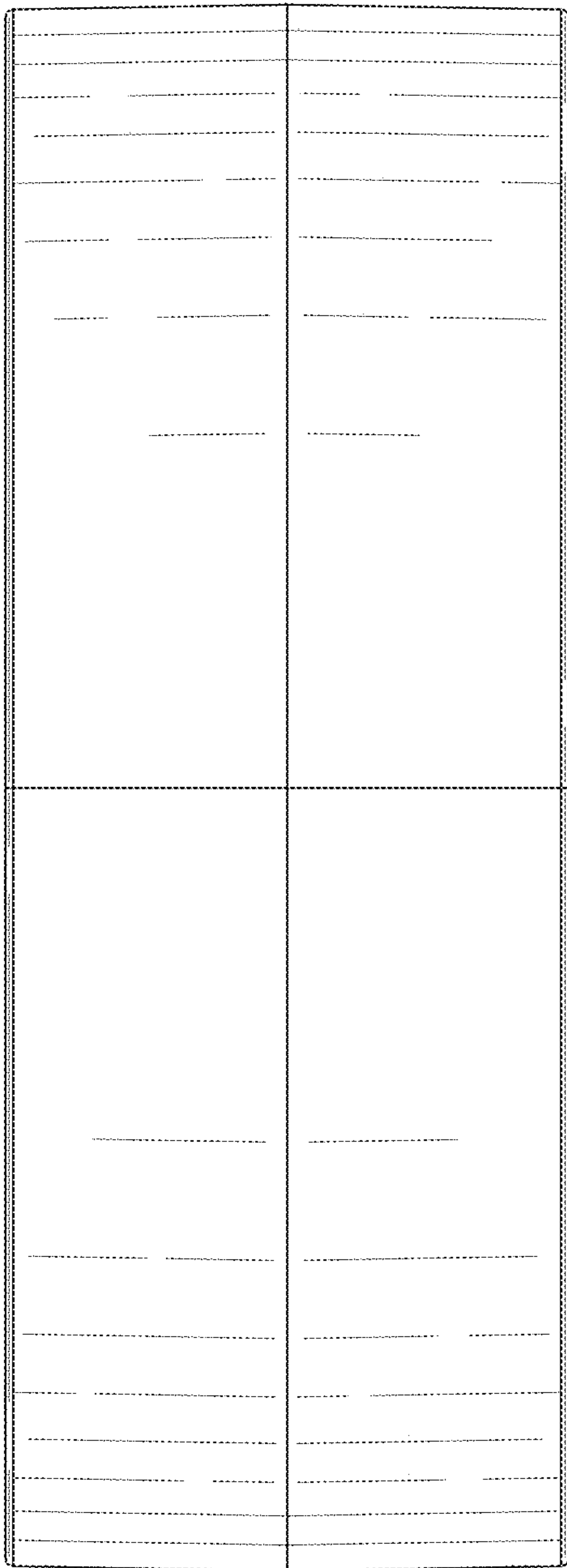


FIG. 5

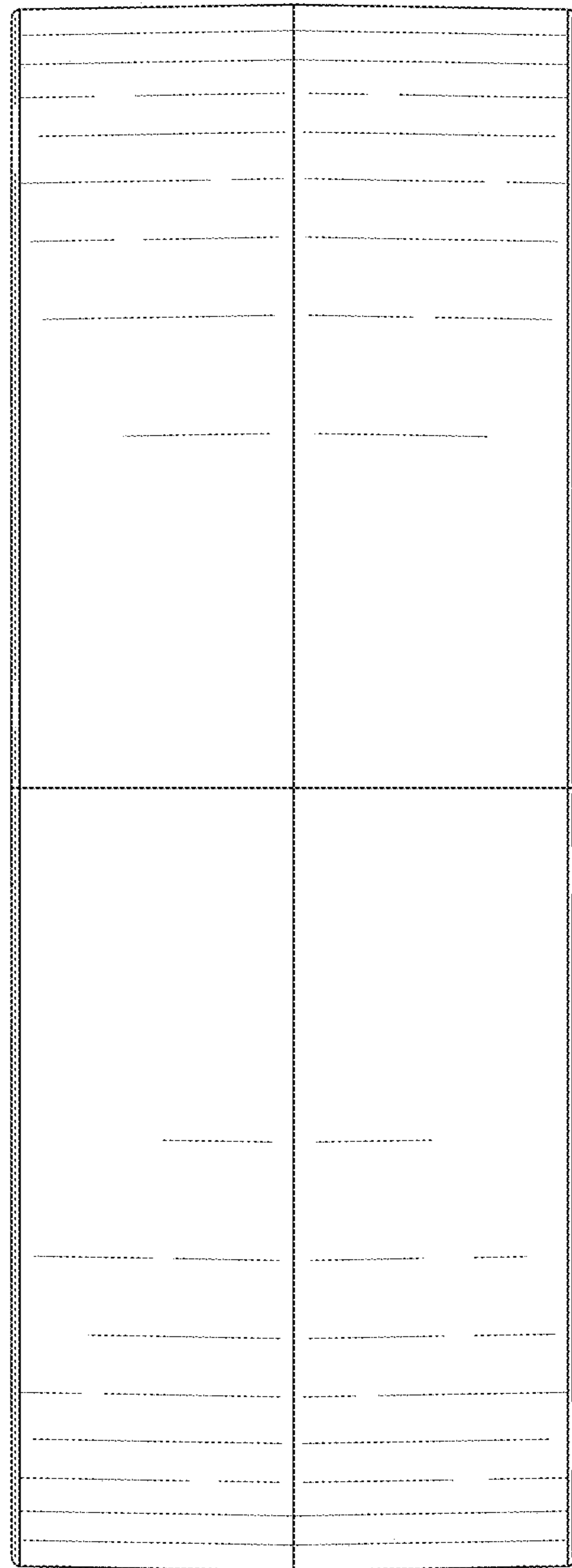


**FIG. 6**





**FIG. 7**



**FIG. 8**