

US0D1046702S

(12) **United States Design Patent** (10) **Patent No.:** **US D1,046,702 S**  
**Wood et al.** (45) **Date of Patent:** **\*\* Oct. 15, 2024**

(54) **MODEL VEHICLE WHEELIE BAR**

FOREIGN PATENT DOCUMENTS

(71) Applicant: **TRAXXAS, L.P.**, McKinney, TX (US)

GB 6228968 \* 10/2022  
TW D135320 S 6/2010  
TW D139245 S 3/2011

(72) Inventors: **Jonathan Scott Wood**, Campbell, CA (US); **Trent Collins**, McKinney, TX (US); **Otto Karl Allmendinger**, Rowlett, TX (US); **Adam Cole Ewing**, McKinney, TX (US)

OTHER PUBLICATIONS

Wheelie bar, black (assembled)\_ 3x20 CS (8) \_ Traxxas, posted date unknown [online], [retrieved Jul. 23, 2024]. Retrieved from internet, <https://traxxas.com/products/parts/9576> (Year: 2024).\*

(73) Assignee: **TRAXXAS, L.P.**, McKinney, TX (US)

(Continued)

(\*\*) Term: **15 Years**

*Primary Examiner* — Darlington Ly

(21) Appl. No.: **29/829,421**

*Assistant Examiner* — Jeremy Koenig

(22) Filed: **Mar. 4, 2022**

(74) *Attorney, Agent, or Firm* — Daryl R. Wright; Greg Carr

(51) **LOC (14) Cl.** ..... **21-01**

(52) **U.S. Cl.**  
USPC ..... **D21/561**; D12/159

(57) **CLAIM**

(58) **Field of Classification Search**  
USPC ..... D21/435, 495, 502, 550, 561, 562;  
D12/86–92, 160, 161, 163–172, 213, 400,  
D12/406, 414

The ornamental design for a model vehicle wheelie bar as shown and described.

CPC ..... B60R 19/18; B60R 19/24; B60R 19/44;  
A63H 33/042; A63H 7/04; B60G 1/00;  
B60G 11/10; B60G 11/113

**DESCRIPTION**

See application file for complete search history.

FIG. 1 is a lower, left, front perspective view of a model vehicle wheelie bar showing our new design; FIG. 2 is a rear elevation view thereof; FIG. 3 is a front elevation view thereof; FIG. 4 is a left side elevation view thereof; FIG. 5 is a right side elevation view thereof; FIG. 6 is an upper plan view thereof; FIG. 7 is a lower plan view thereof; FIG. 8 is an upper, right, rear perspective view thereof; and, FIG. 9 is an upper, left, front perspective view of the model vehicle wheelie bar.

(56) **References Cited**

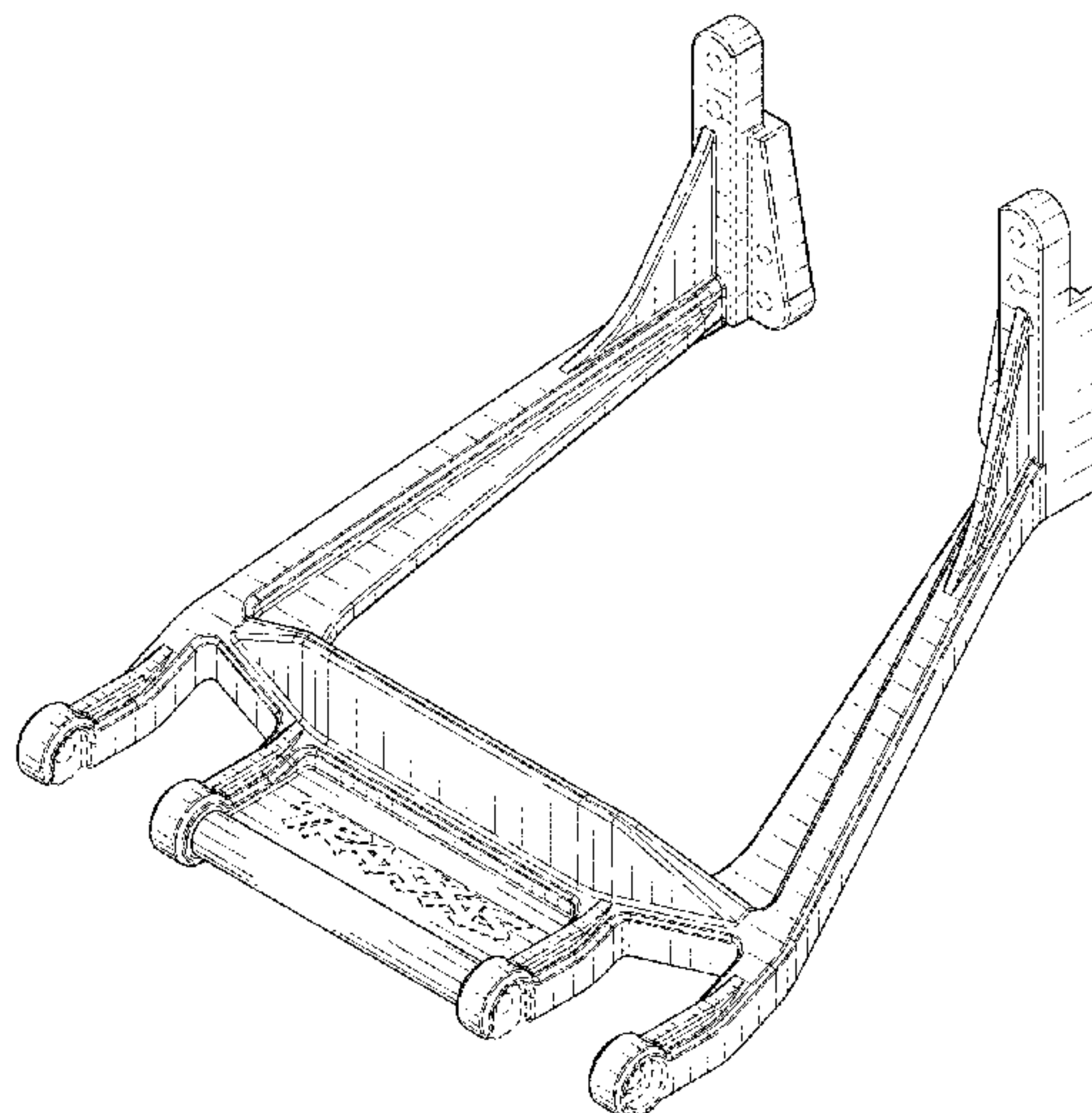
U.S. PATENT DOCUMENTS

D58,959 S	9/1921	Wendland
D213,927 S	4/1969	Schramm
3,997,185 A	12/1976	Parrilla
4,007,949 A	2/1977	Norcia et al.
4,012,054 A	3/1977	Moore
4,108,267 A	8/1978	Valerio
4,154,452 A	5/1979	Newman
D258,814 S	4/1981	Stewart
4,522,420 A	6/1985	Hannappel
4,772,037 A	9/1988	Jones
4,773,889 A	9/1988	Rosenwinkel et al.
D310,399 S	9/1990	Dideriksen

In the drawings, the broken lines illustrate portions of the model vehicle wheelie bar that form no part of the claimed design.

(Continued)

**1 Claim, 5 Drawing Sheets**





(56)

References Cited

U.S. PATENT DOCUMENTS

4,988,120 A 1/1991 Jones  
 5,186,269 A 2/1993 Avakian et al.  
 5,242,183 A 9/1993 Oberg et al.  
 5,330,221 A 7/1994 Sutton  
 5,354,092 A 10/1994 Calvert  
 5,368,323 A 11/1994 Young  
 5,431,444 A 7/1995 Kenealy  
 D366,636 S 1/1996 Smith  
 D394,003 S 5/1998 Tate  
 D394,033 S \* 5/1998 Pingel ..... D12/114  
 5,809,755 A 9/1998 Velke et al.  
 5,908,345 A 6/1999 Choi  
 5,938,238 A 8/1999 Lamb  
 6,059,055 A 5/2000 Velke et al.  
 6,094,897 A 8/2000 Velke et al.  
 6,189,304 B1 2/2001 Velke et al.  
 D451,881 S \* 12/2001 Adams ..... D12/406  
 6,327,839 B1 12/2001 Velke et al.  
 6,416,067 B1 7/2002 Kugler  
 6,516,596 B2 2/2003 Velke et al.  
 6,517,092 B2 2/2003 Humphrey  
 6,540,583 B1 4/2003 Hoeting et al.  
 6,688,090 B2 2/2004 Velke et al.  
 6,912,831 B2 7/2005 Velke et al.  
 6,976,693 B2 12/2005 Alder  
 6,994,368 B2 2/2006 Brown  
 7,048,285 B1 5/2006 Yates  
 D546,751 S 7/2007 Laatz  
 D567,886 S 4/2008 Lampert et al.  
 7,578,721 B1 8/2009 Allmendinger  
 7,607,693 B2 10/2009 Chavis  
 7,819,414 B2 10/2010 Turner  
 8,075,011 B1 12/2011 Duzzny  
 D687,745 S 8/2013 Peline  
 8,590,909 B2 11/2013 Calvert  
 D716,193 S 10/2014 Hsu et al.  
 D751,002 S 3/2016 Ford et al.  
 9,308,792 B2 4/2016 Burns  
 D771,537 S 11/2016 Hare  
 D777,619 S 1/2017 Barajas et al.  
 D785,504 S 5/2017 Higgs  
 D828,460 S 9/2018 Wood  
 D828,796 S \* 9/2018 Allmendinger ..... D12/171  
 D833,346 S 11/2018 Wicks et al.  
 D856,432 S \* 8/2019 Ewing ..... D21/495  
 D867,475 S \* 11/2019 Ewing ..... A63H 17/262  
 D12/159  
 D876,288 S 2/2020 Grube et al.  
 D879,209 S 3/2020 Ewing  
 D880,375 S 4/2020 McGaughy  
 D902,089 S 11/2020 Ewing et al.  
 D902,090 S 11/2020 Ewing et al.  
 D905,798 S \* 12/2020 Ewing ..... D12/159  
 D905,799 S 12/2020 Ewing et al.  
 D923,115 S 6/2021 Ewing et al.  
 D951,148 S \* 5/2022 Ewing ..... D12/159  
 D951,149 S \* 5/2022 Ewing ..... D12/159  
 D951,150 S \* 5/2022 Ewing ..... D12/159  
 D951,151 S \* 5/2022 Ewing ..... D12/159  
 D960,255 S \* 8/2022 Ewing ..... D21/562  
 D968,281 S \* 11/2022 Hagler ..... D12/171  
 D998,720 S \* 9/2023 Sprowl ..... D21/548  
 D1,000,332 S \* 10/2023 Sprowl ..... D12/171  
 D1,012,789 S \* 1/2024 Watson ..... D12/159  
 D1,013,061 S \* 1/2024 Hagler ..... D21/561  
 D1,014,655 S \* 2/2024 Christensen ..... D12/159  
 D1,014,656 S \* 2/2024 Christensen ..... D12/159  
 D1,031,863 S \* 6/2024 Soward ..... D21/483  
 2001/0014569 A1 8/2001 Baker  
 2002/0096849 A1 7/2002 Bang  
 2003/0024752 A1 2/2003 Mayer et al.

2003/0077979 A1 4/2003 Hoeting et al.  
 2004/0004335 A1 1/2004 Rudder et al.  
 2015/0273965 A1 10/2015 Burns

OTHER PUBLICATIONS

Traxxas 9576 Black Wheelie Bar for Sledge™ \_ Toys & Games, posted May 18, 2023 [online], [retrieved Jul. 23, 2024]. Retrieved from internet, [https://www.amazon.com/Traxxas-9576-Black-Wheelie-SledgeTM/dp/B0C9FNLKF8/ref=sr\\_1\\_1](https://www.amazon.com/Traxxas-9576-Black-Wheelie-SledgeTM/dp/B0C9FNLKF8/ref=sr_1_1) (Year: 2023).\*

Taiwan IPO Search Report; completed Oct. 16, 2017; in Taiwanese Design Patent Application No. 106302003.

Traxxas; Wheelie Bar, Overview; Aug. 2011; [www.traxxas.com/products/parts/5472](http://www.traxxas.com/products/parts/5472).

HPI Racing; Wheelie Bar Set for Savage #85245; Jun. 2016; [www.hpiracing.com/en/part/85245](http://www.hpiracing.com/en/part/85245).

HPI, "Savage Wheelie Bar" Oct. 19, 2005, web page: [www.hpiracing.com/products/en/85245/HPI-Racing, Foothill Ranch, CA, USA](http://www.hpiracing.com/products/en/85245/HPI-Racing-Foothill-Ranch,CA,USA).

Traxxas 3678 Wheelie Bar Assembly for Traxxas, Apr. 11, 2007, [amazon.com](https://www.amazon.com/Traxxas-Wheelie-Assembly-Electric-Vehicles/dp/B000NSW0AW), Dec. 15, 2021, URL: <https://www.amazon.com/Traxxas-Wheelie-Assembly-Electric-Vehicles/dp/B000NSW0AW> (Year: 2007).

Traxxas 3678X Blue Wheelie Bar, Assembled, Sep. 13, 2012, [amazon.com](https://www.amazon.com/Traxxas-3678X-Wheelie-Assembled-Stampede/dp/B009PBU6L8/), Dec. 15, 2021, URL: <https://www.amazon.com/Traxxas-3678X-Wheelie-Assembled-Stampede/dp/B009PBU6L8/> (Year: 2012).

Traxxas TRA6776 Wheelie Bar, Mar. 28, 2020, [amazon.com](https://www.amazon.com/Traxxas-TRA6776-Wheelie-Bar/dp/B07JB95TNK/), Dec. 15, 2021, URL: <https://www.amazon.com/Traxxas-TRA6776-Wheelie-Bar/dp/B07JB95TNK/> (Year: 2020).

Traxxas 9462G Side Plates, [amazon.co.uk](http://amazon.co.uk), first available May 28, 2021 [online], [site visited Mar. 7, 2023], Available from internet, URL: <https://www.amazon.co.uk/Traxxas-9462G-Plates-Wheelie-Aluminum/dp/B0989YP4ZJ> (Year: 2021).

Traxxas Side plates, wheelie bar, orange, [traxxas.com](http://traxxas.com), first crawled on internet archive Oct. 23, 2021 [online], [site visited Mar. 7, 2023], Available from internet, URL: <https://web.archive.org/web/20211023023700/https://traxxas.com/products/parts/9462a> (Year: 2021).

Traxxas Aluminum Wheelie Bar Side Plates (Charcoal Grey), first available Feb. 4, 2022 [online], [site visited Mar. 7, 2023], Available from internet, URL: <https://www.hobbytown.com/traxxas-aluminum-wheelie-bar-side-plates-charcoal-grey-2-tra9462/p1330100> (Year: 2022).

9460 Wheelie bar Black Assembled, [amazon.com](https://www.amazon.com/9460-Wheelie-Black-Assembled-Mount/dp/B09HTB8BF5), first available Jul. 7, 2021 [online], [site visited Mar. 7, 2023], Available from internet, URL: <https://www.amazon.com/9460-Wheelie-Black-Assembled-Mount/dp/B09HTB8BF5> (Year: 2021).

Traxxas 9460—Wheelie bar, [rchobbyshop.com](http://rchobbyshop.com), [online], [site visited Mar. 7, 2023], Available from internet, URL: <https://www.rchobbyshop.com/wheelie-bar-black-assembled-wheelie-bar-mount.html> (Year: 2023).

Drag Slash—Wheelie Bar Assembly, [jennysrc.com](http://jennysrc.com), [online], [site visited Mar. 7, 2023], Available from internet, URL: <https://jennysrc.com/products/drag-slash-wheelie-bar-assemblyw-mount-and-wheels-9460-9461-traxxas-94076-4> (Year: 2023).

Traxxas Wheelie Bar Black Chrome 9460X, [amazon.com](https://www.amazon.com/Traxxas-Wheelie-Black-Chrome-9460X/dp/B09N74PF6Y), customer review oldest date May 2, 2022 [online], [site visited Mar. 7, 2023], Available from internet, URL: <https://www.amazon.com/Traxxas-Wheelie-Black-Chrome-9460X/dp/B09N74PF6Y> (Year: 2022).

OGRC Aluminum Wheelie Bar Kit, [amazon.com](https://www.amazon.com/GLOBACT-Traxxas-Aluminum-Adjustable-Assembly/dp/B09VD6NCVC), customer review oldest date Aug. 19, 2021 [online], [site visited Mar. 7, 2023], Available from internet, URL: <https://www.amazon.com/GLOBACT-Traxxas-Aluminum-Adjustable-Assembly/dp/B09VD6NCVC> (Year: 2021).

SafeRacks Tire Rack, [bjs.com](https://www.bjs.com), [online], [site visited Mar. 7, 2023], Available from internet, URL: <https://www.bjs.com/product/saferacks-tire-rack-adjustable-length-up-to-45-ft/3000000000003167357> (Year: 2023).

\* cited by examiner

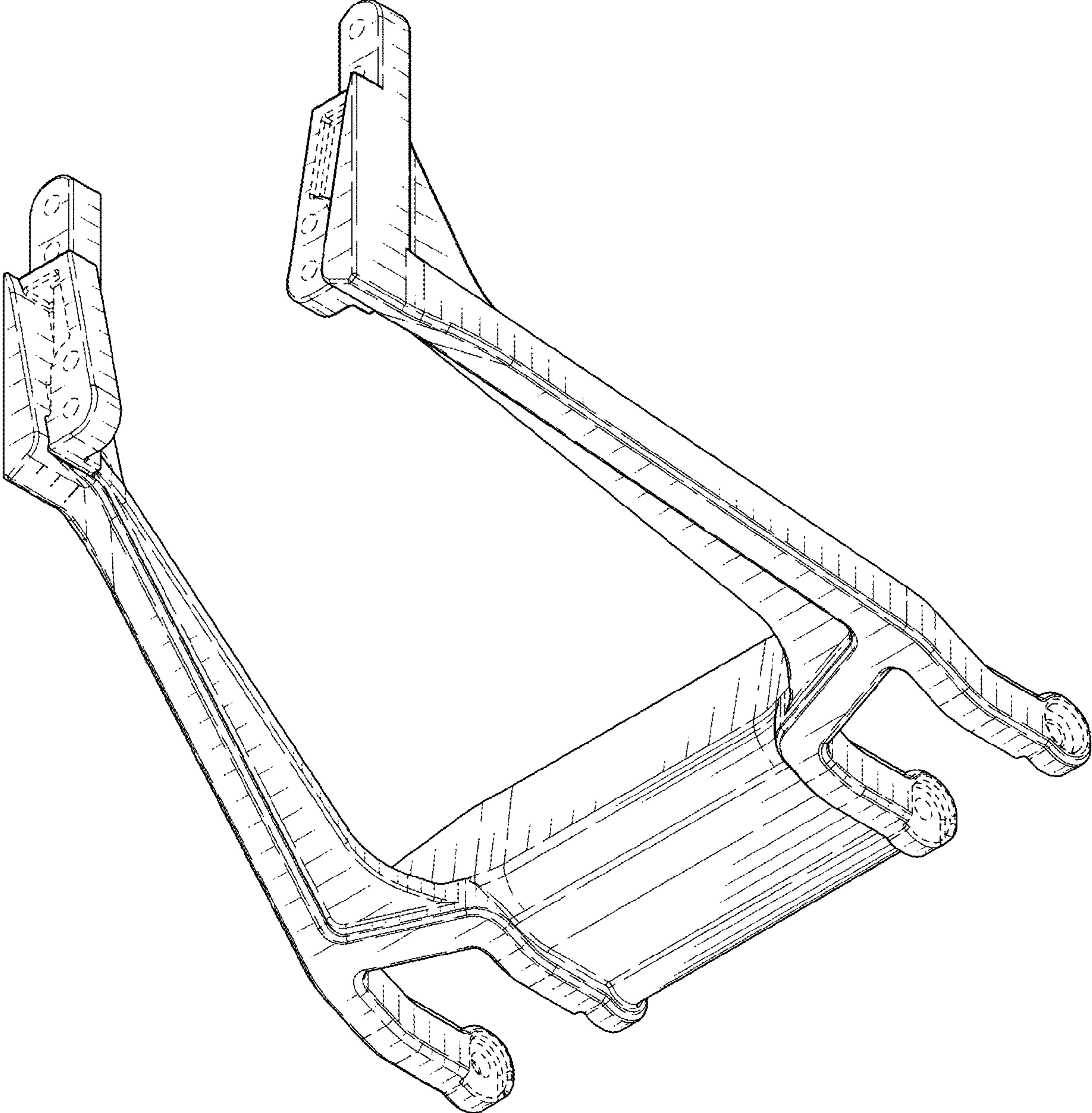


FIG. 1



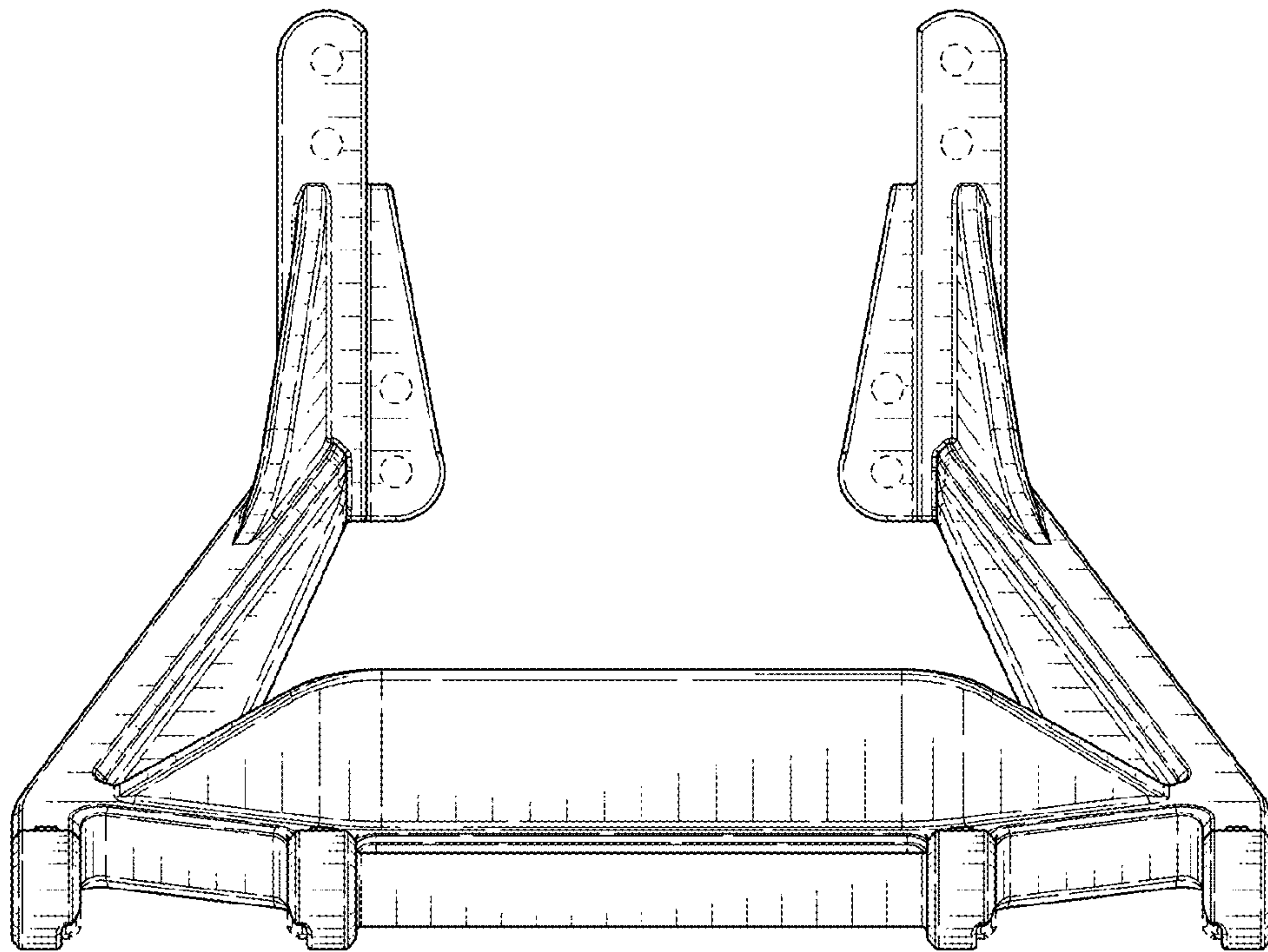


FIG. 2

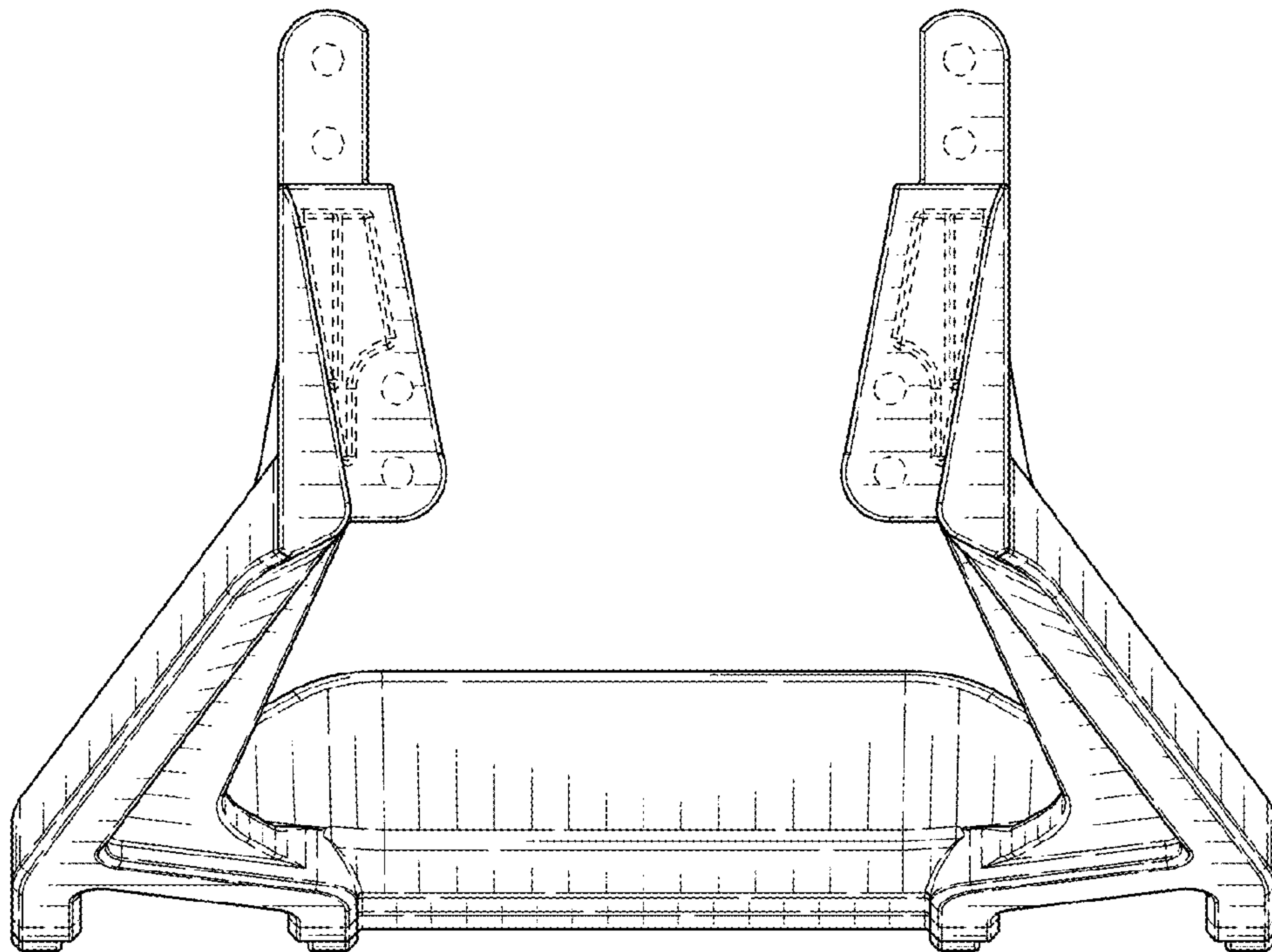


FIG. 3

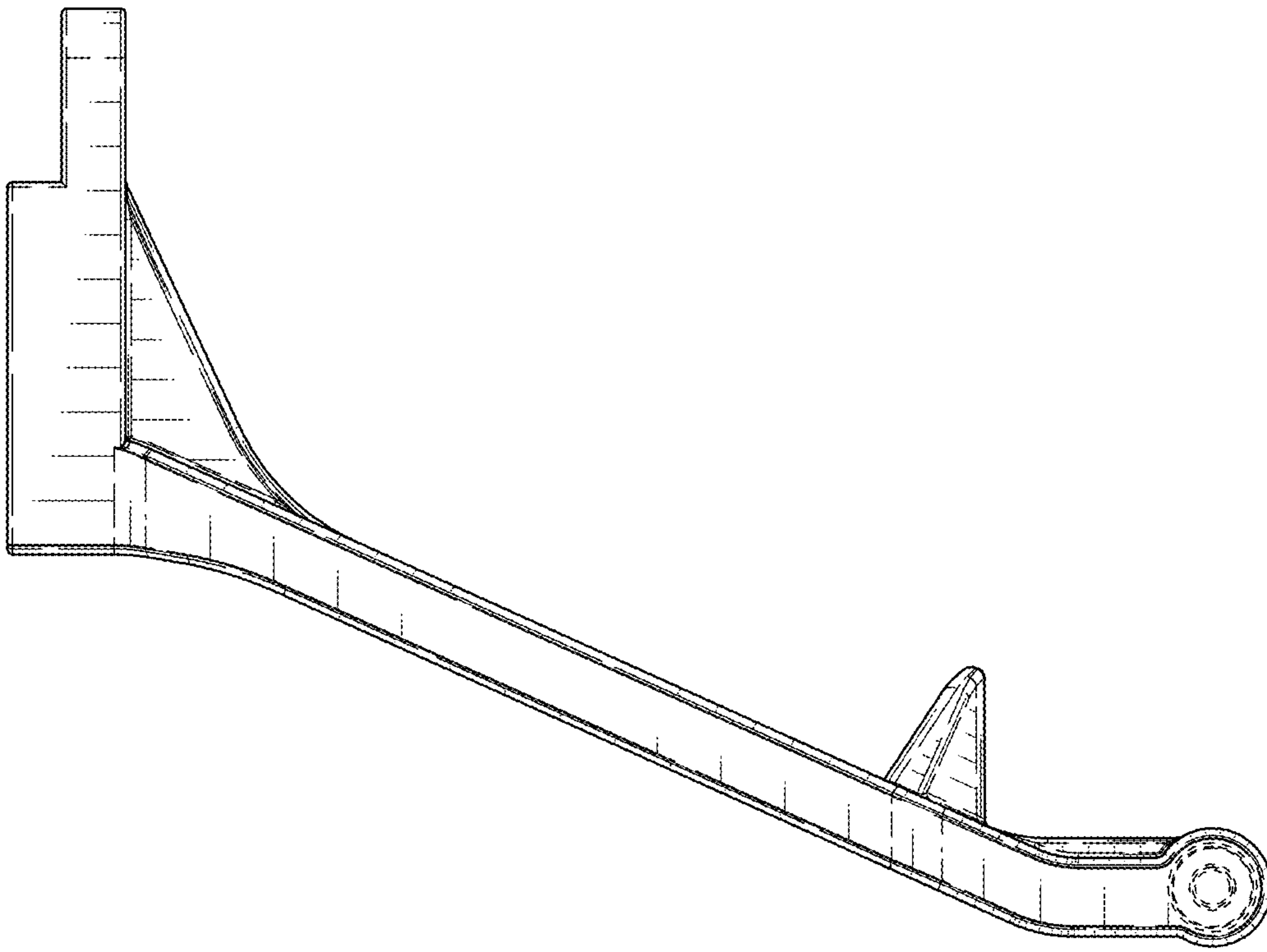


FIG. 4

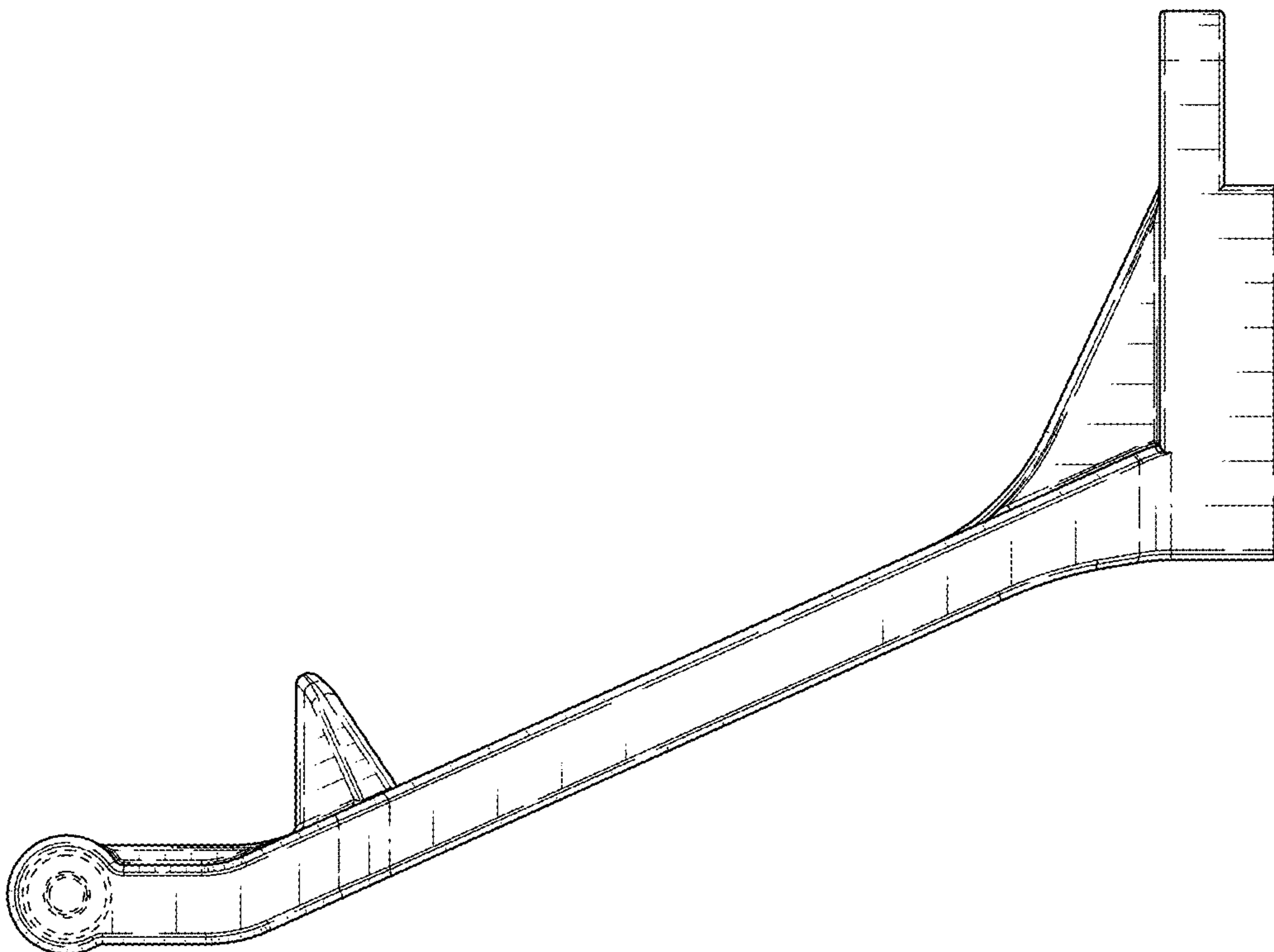


FIG. 5

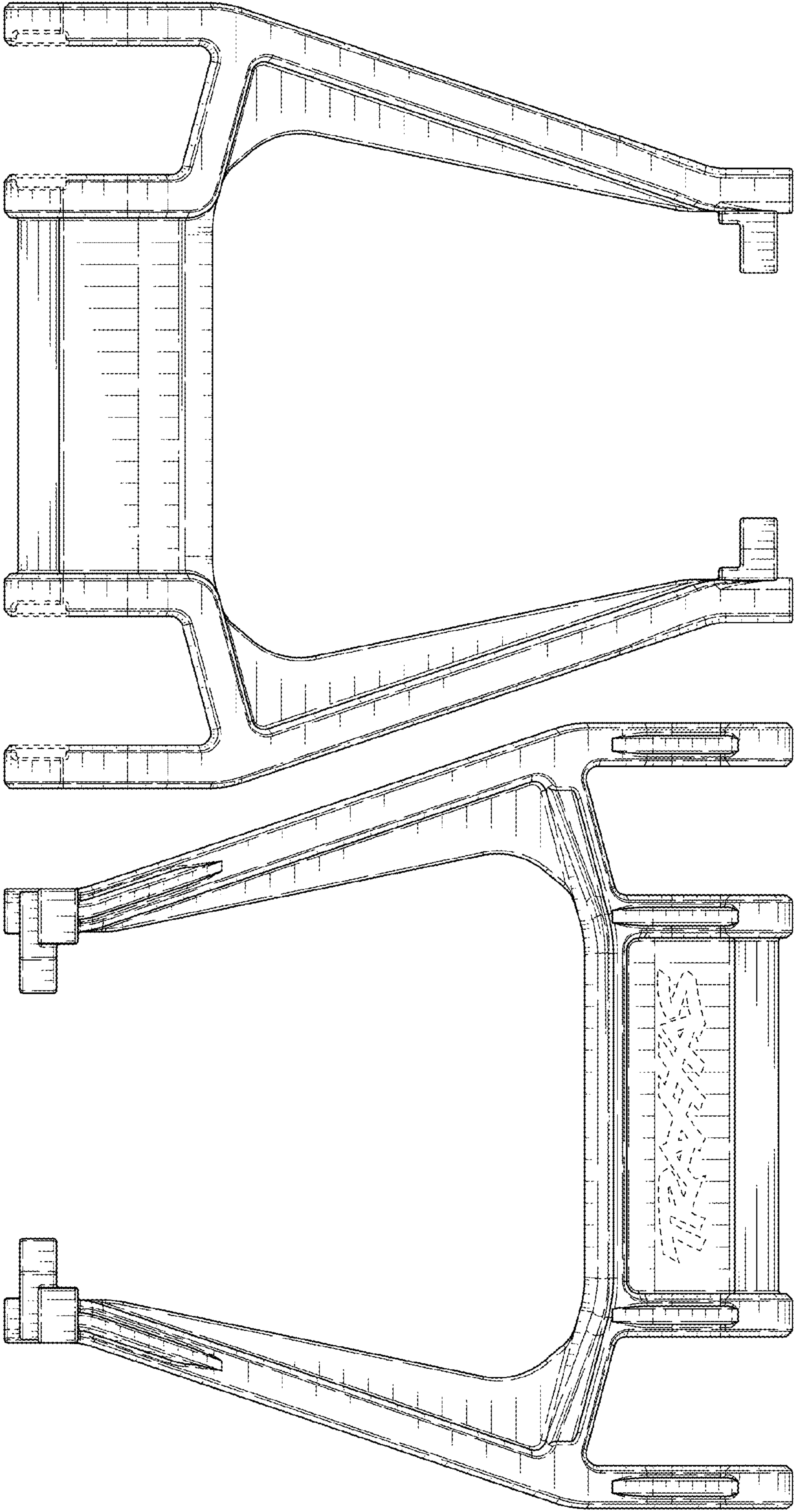


FIG. 7

FIG. 6



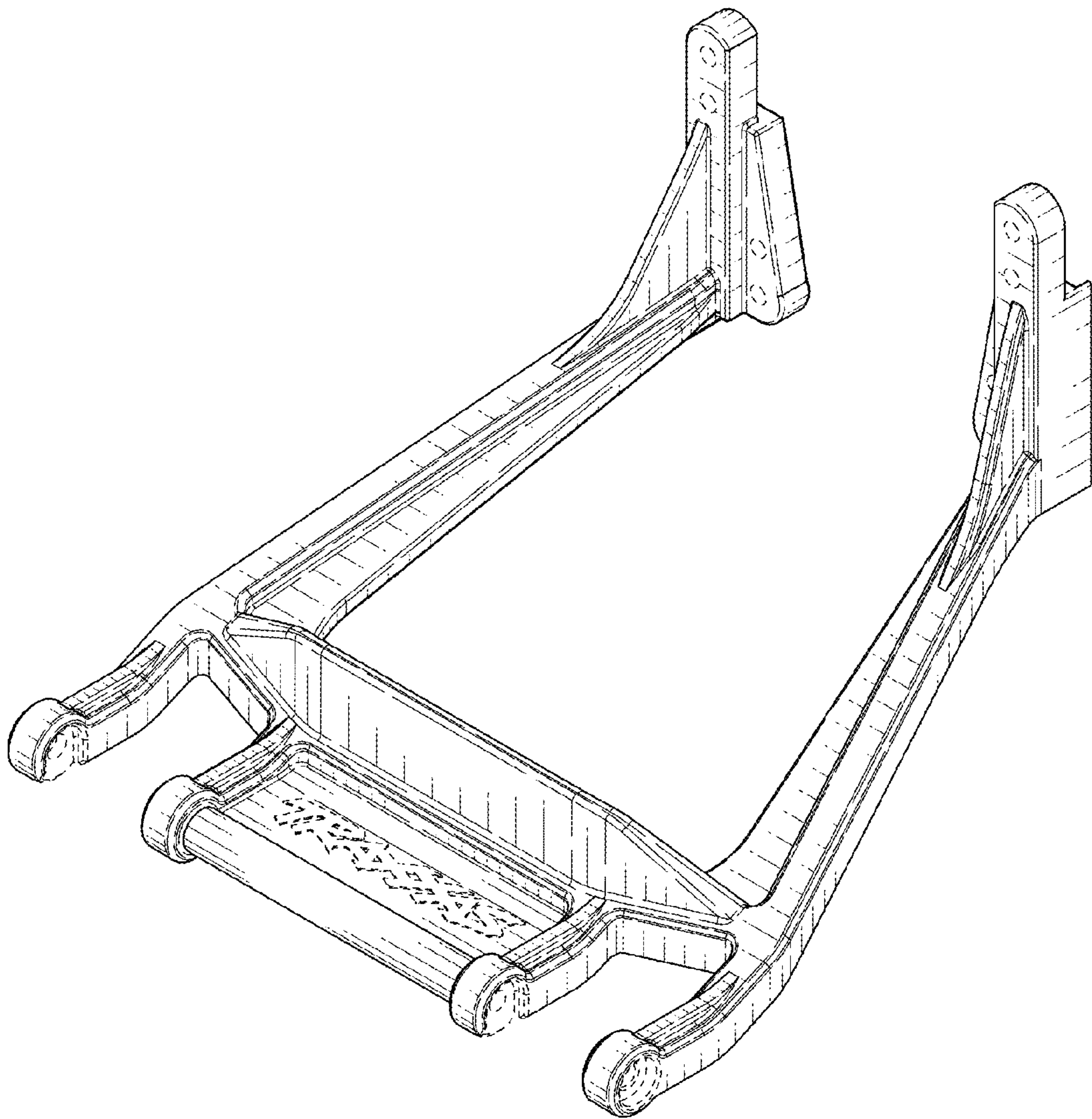


FIG. 8

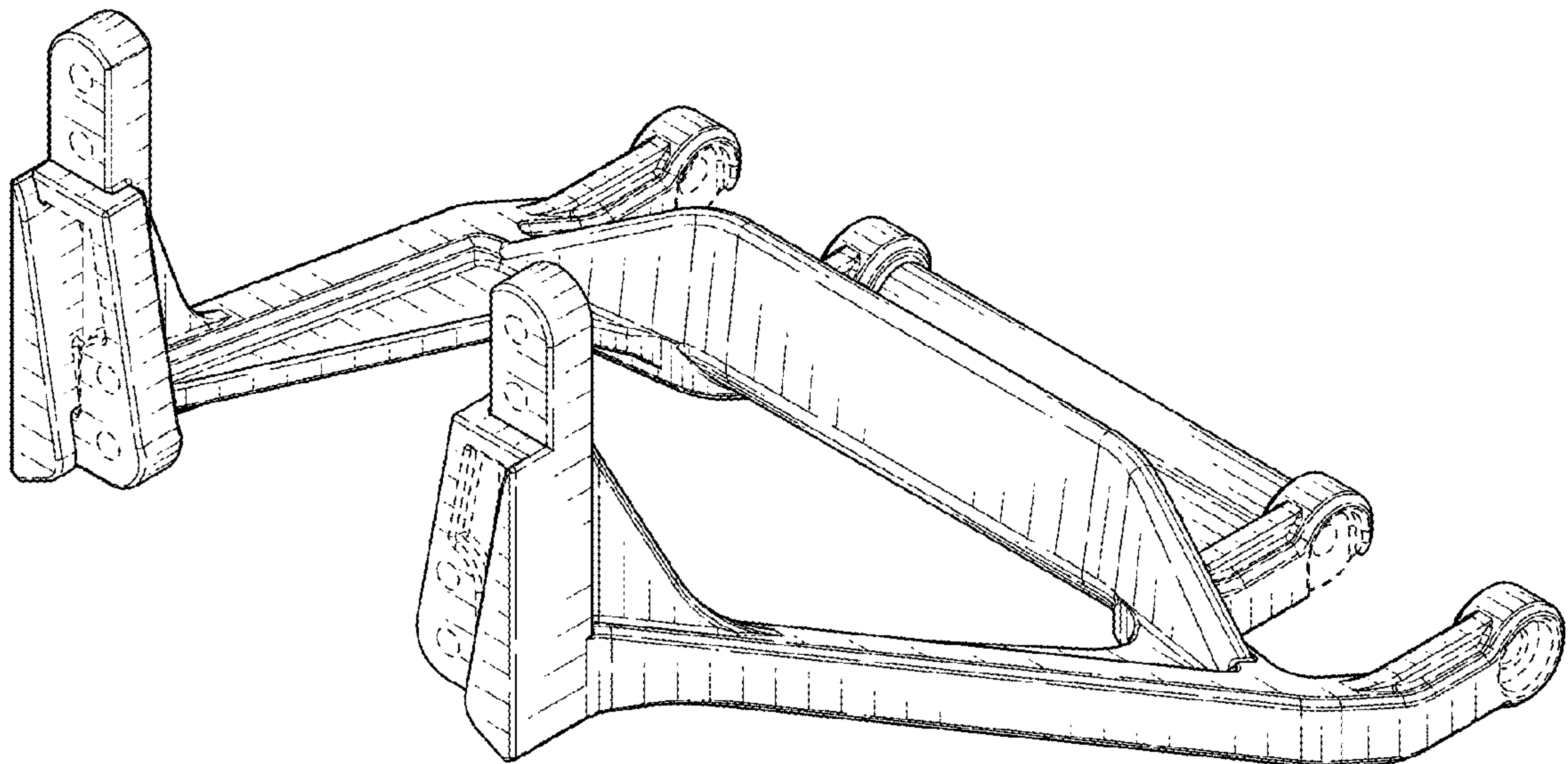


FIG. 9