



US0D1046649S

(12) **United States Design Patent** (10) **Patent No.:** **US D1,046,649 S**
Lai (45) **Date of Patent:** **** Oct. 15, 2024**

(54) **PET LOCATOR**
(71) Applicant: **Shenzhen Omni Intelligent Technology Co., Ltd., Shenzhen (CN)**
(72) Inventor: **Chunyan Lai, Shenzhen (CN)**
(73) Assignee: **Shenzhen Omni Intelligent Technology Co., Ltd., Shenzhen (CN)**
(**) Term: **15 Years**
(21) Appl. No.: **29/860,887**

(22) Filed: **Nov. 23, 2022**
(51) **LOC (14) Cl.** **30-04**
(52) **U.S. Cl.**
USPC **D30/152; D30/199; D10/70; D10/104.1**
(58) **Field of Classification Search**
USPC D10/100, 70, 106.1, 106.6–106.9, D10/106.91–106.95, 104.1, 80, 119.2, D10/120, 121, 74; D11/81, 60; D13/168; D14/440, 240, 242, 300, D14/383–385; D30/199, 152; D24/186
CPC .. Y10T 70/8757; Y10T 70/8676; A45F 5/021; A45F 2200/0558; A44B 15/00; A44B 15/002; A44B 15/005; A44B 15/007; A44B 17/0011; A44B 17/0029; A01K 29/005; A01K 27/001; A01K 15/02; A01K 27/009; A01K 11/008; A01K 27/005; A01K 23/005; A01K 27/008; A01K 27/003; G06F 1/3231; E01H 2001/1273; E01H 2001/1286; E01H 2001/128; E01H 2001/1266
See application file for complete search history.

(56) **References Cited**
U.S. PATENT DOCUMENTS

D706,500 S * 6/2014 Hu D30/152
D798,003 S * 9/2017 Dong D30/199
9,861,080 B1 * 1/2018 Hathway A01K 27/001

D870,399 S * 12/2019 Van Curen D30/152
D953,667 S * 5/2022 Li D30/152
D976,730 S * 1/2023 Wernimont D10/104.1
D982,846 S * 4/2023 Luo D30/152
D983,468 S * 4/2023 Zhu D10/104.1
D990,072 S * 6/2023 Li D10/104.1
D1,002,972 S * 10/2023 Yu D10/104.1
D1,004,223 S * 11/2023 Xie D10/104.1

(Continued)

FOREIGN PATENT DOCUMENTS

CN 304959944 * 7/2018
CN 305309245 * 1/2019

(Continued)

OTHER PUBLICATIONS

Petbiz, G1 GPS Pet Tracker, Date first available Mar. 15, 2019, [online]retrieved Mar. 14, 2024,available from <https://www.amazon.com/DP/B07PPYJ3G6> (Year: 2019).*

(Continued)

Primary Examiner — Keli L Hill
Assistant Examiner — Sara S Sahneh
(74) *Attorney, Agent, or Firm* — Birchwood IP

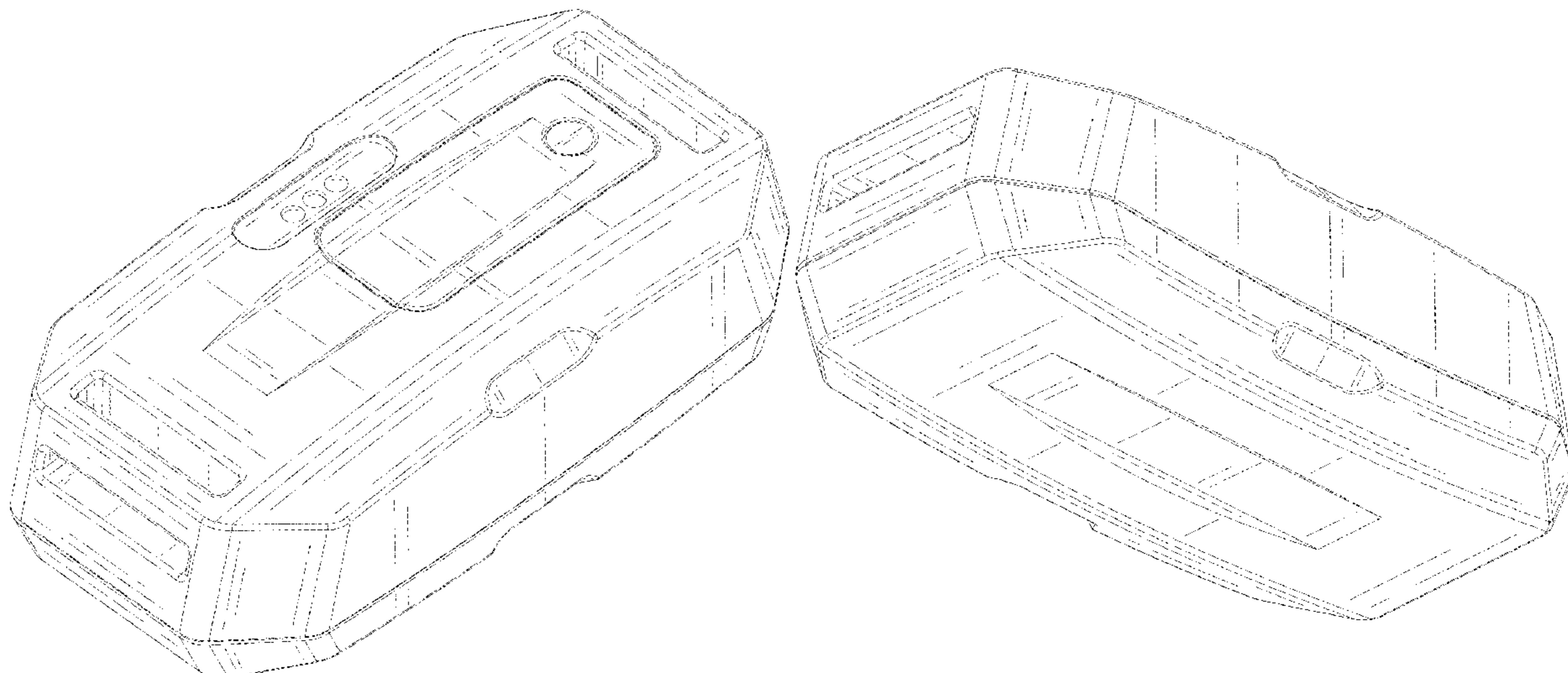
(57) **CLAIM**

The ornamental design for a pet locator, as shown and described.

DESCRIPTION

FIG. 1 is a front, right and bottom perspective view of a pet locator, showing my new design;
FIG. 2 is a rear, left and top perspective view thereof;
FIG. 3 is a front view thereof;
FIG. 4 is a rear view thereof;
FIG. 5 is a left side view thereof;
FIG. 6 is a right side view thereof;
FIG. 7 is a top plan view thereof; and,
FIG. 8 is a bottom plan view thereof.

1 Claim, 8 Drawing Sheets



(56)

References Cited

U.S. PATENT DOCUMENTS

D1,015,179 S * 2/2024 Chen D10/70
2023/0345907 A1 * 11/2023 Smith A01K 27/009

FOREIGN PATENT DOCUMENTS

CN 305801807 * 7/2019
CN 306149710 * 6/2020
CN 306596579 * 12/2020
CN 307959827 * 11/2022

OTHER PUBLICATIONS

Tractive GPS Store, Tracker & Health Monitoring for Cats, Date first available Jan. 11, 2022, [online]retrieved Mar. 16, 2024, available from <https://www.amazon.com/DP/B09NN435JD> (Year: 2022).*

* cited by examiner

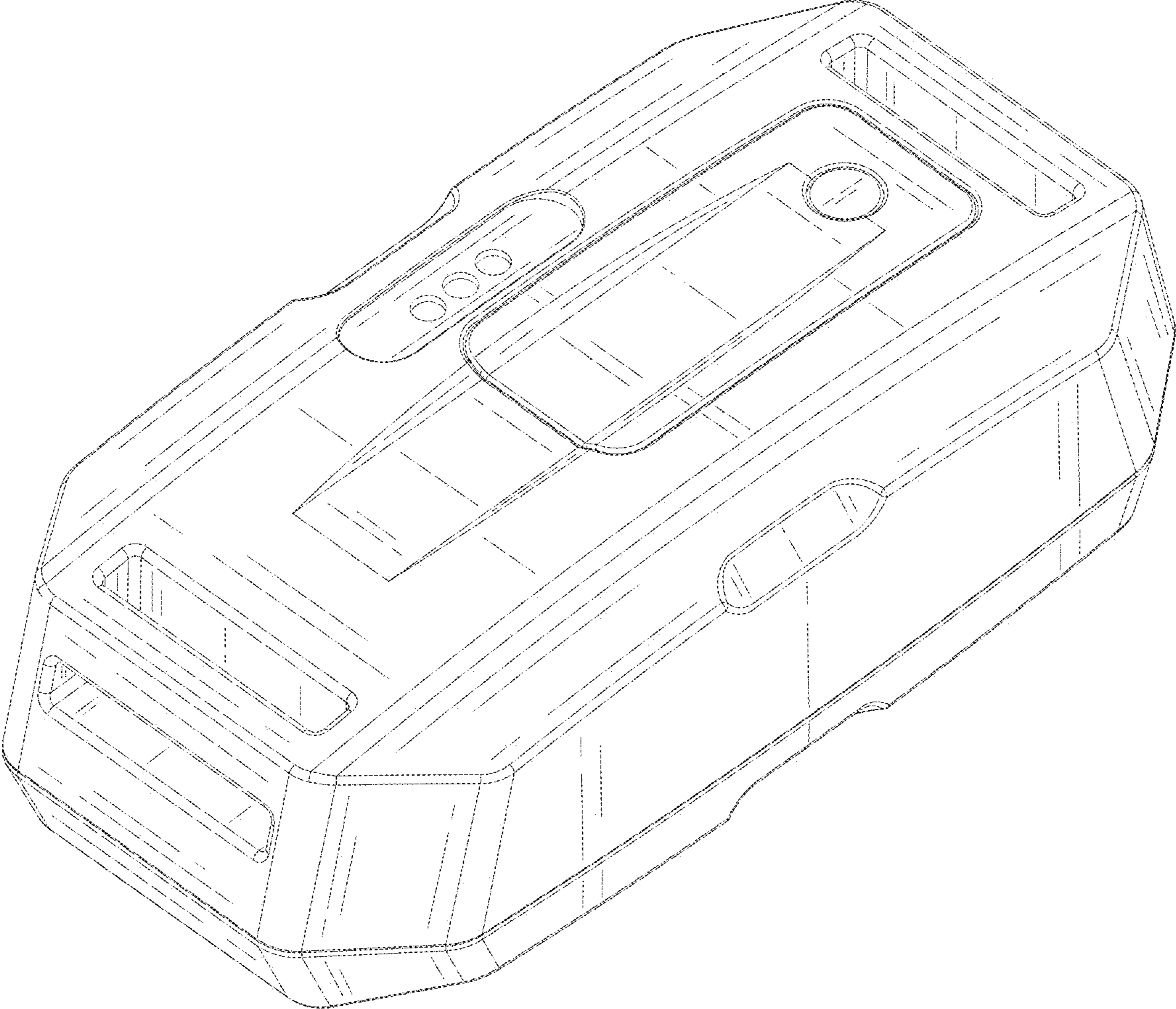


FIG. 1

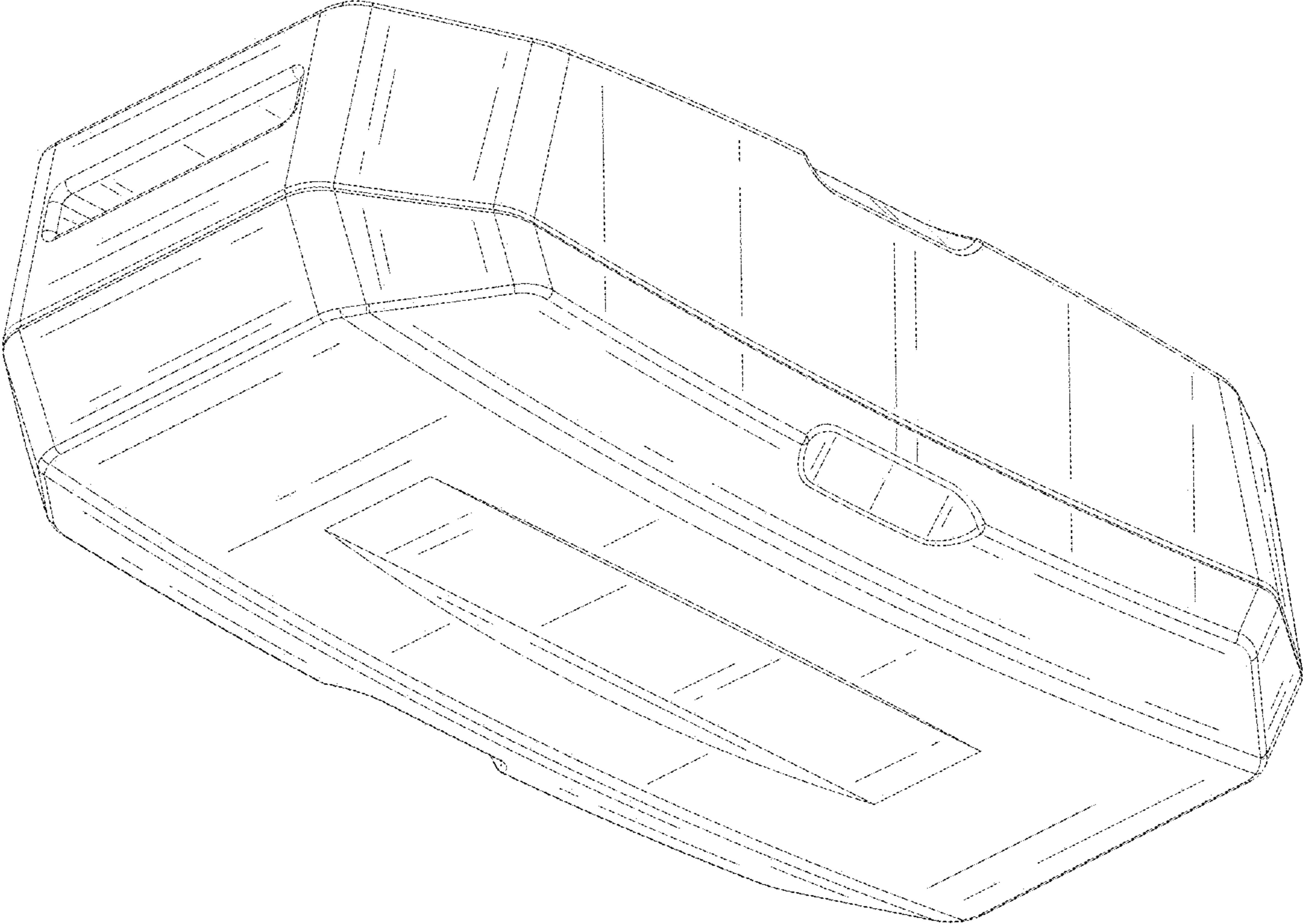


FIG. 2

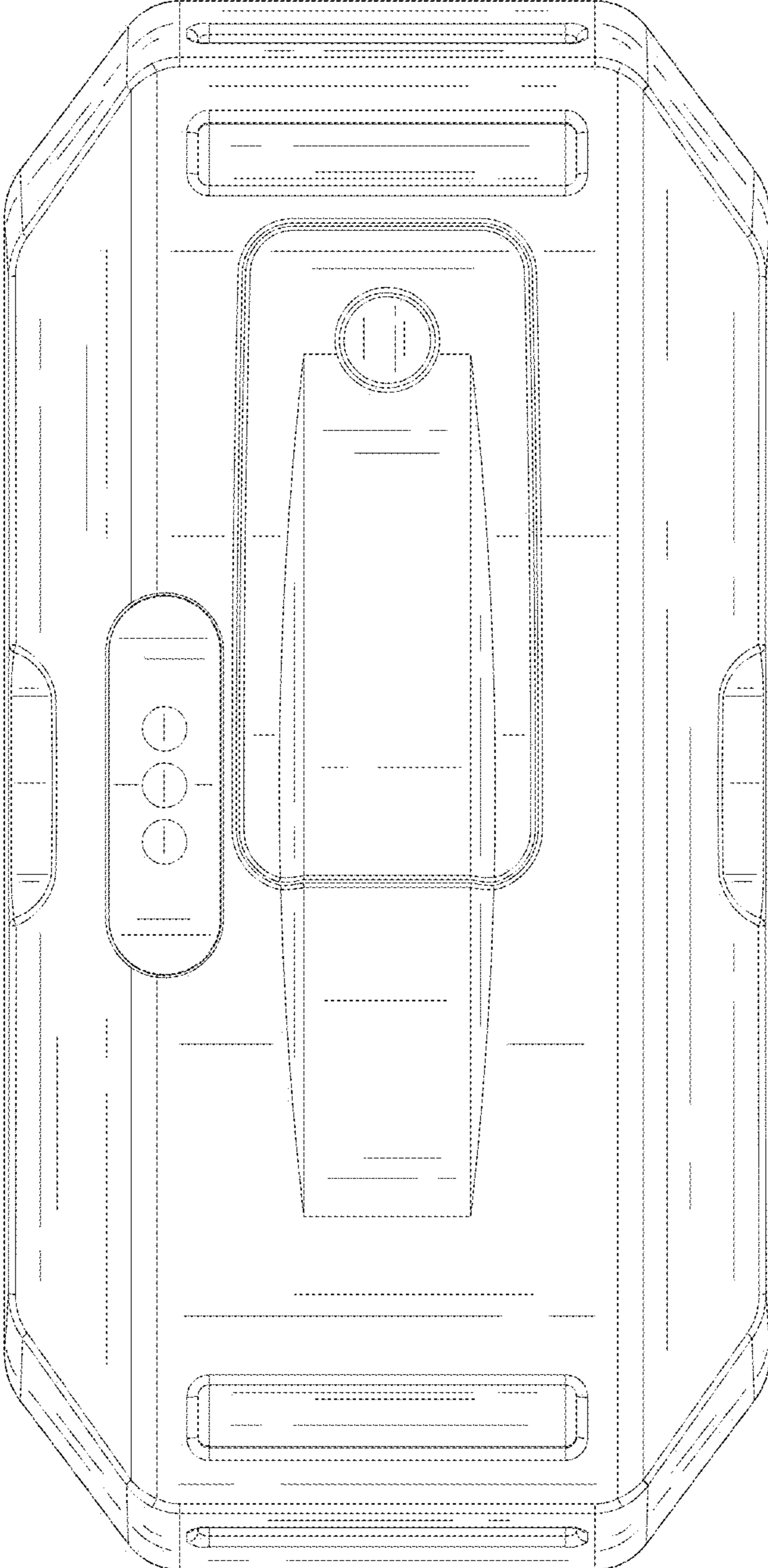


FIG. 3

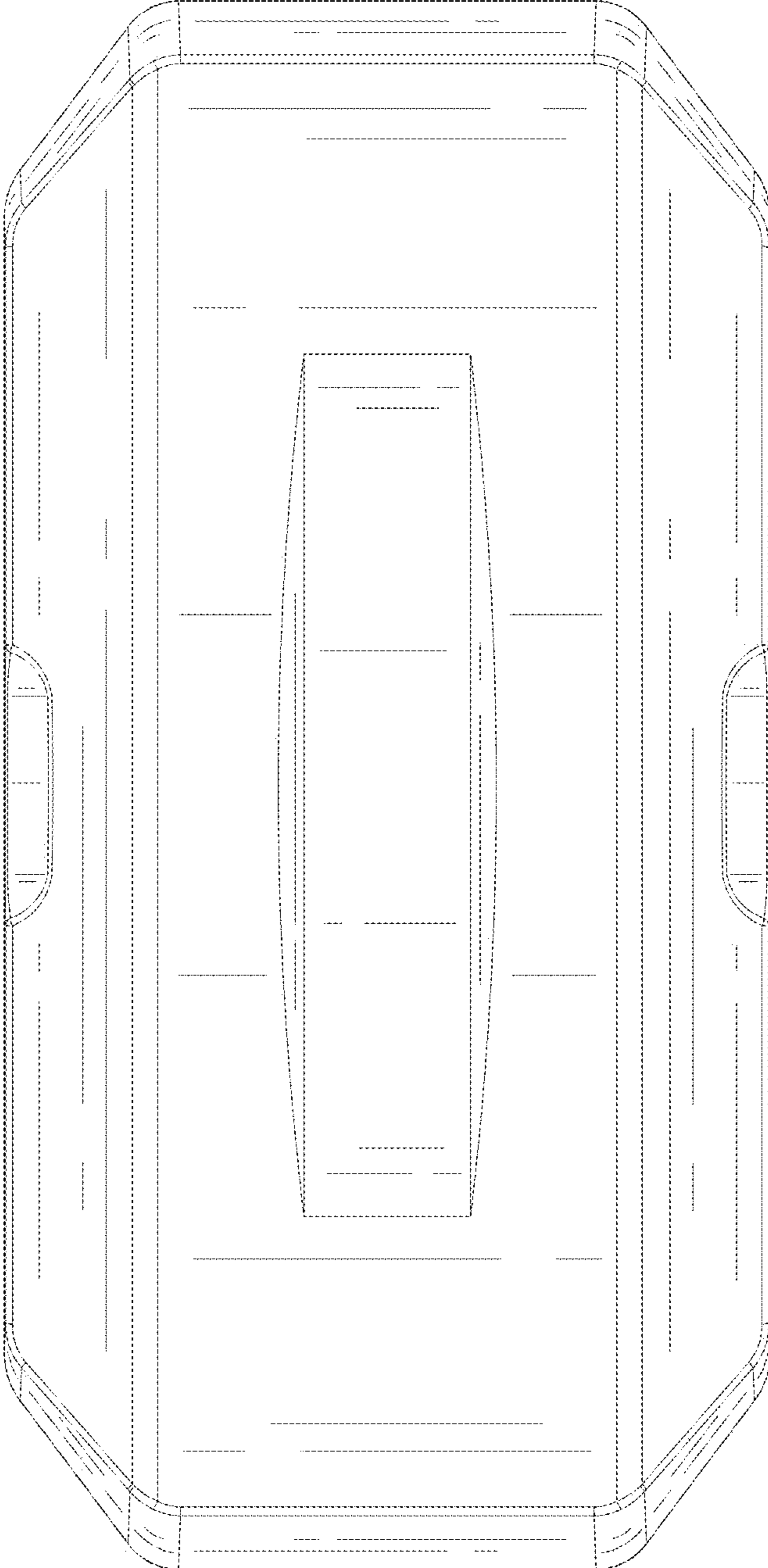


FIG. 4

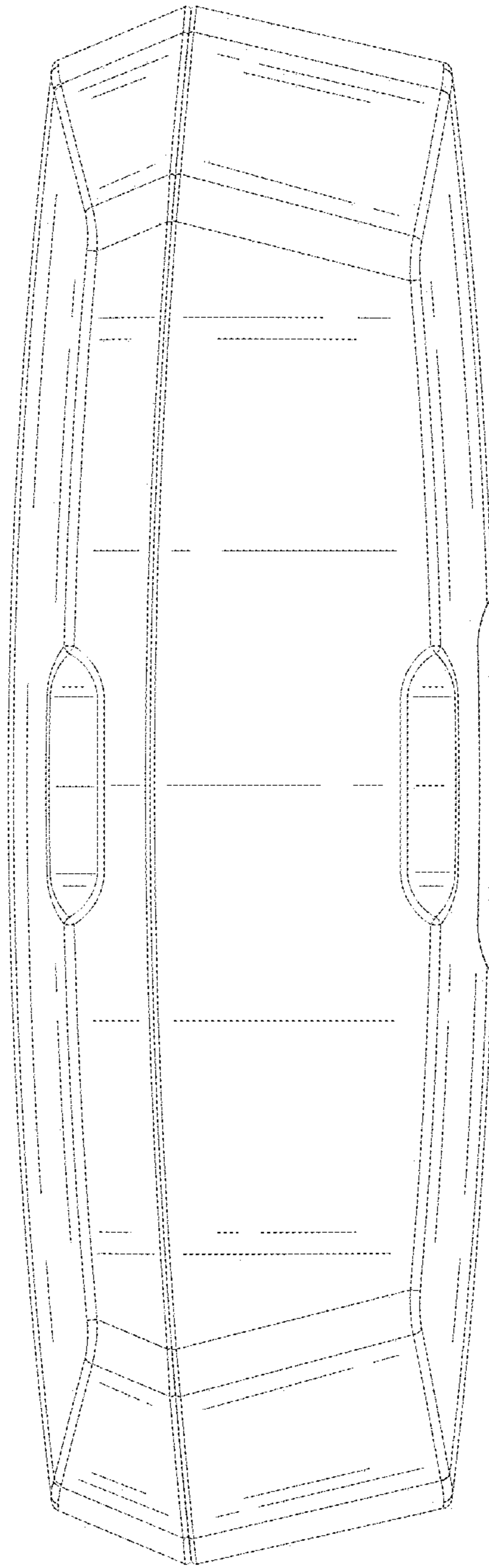


FIG. 5

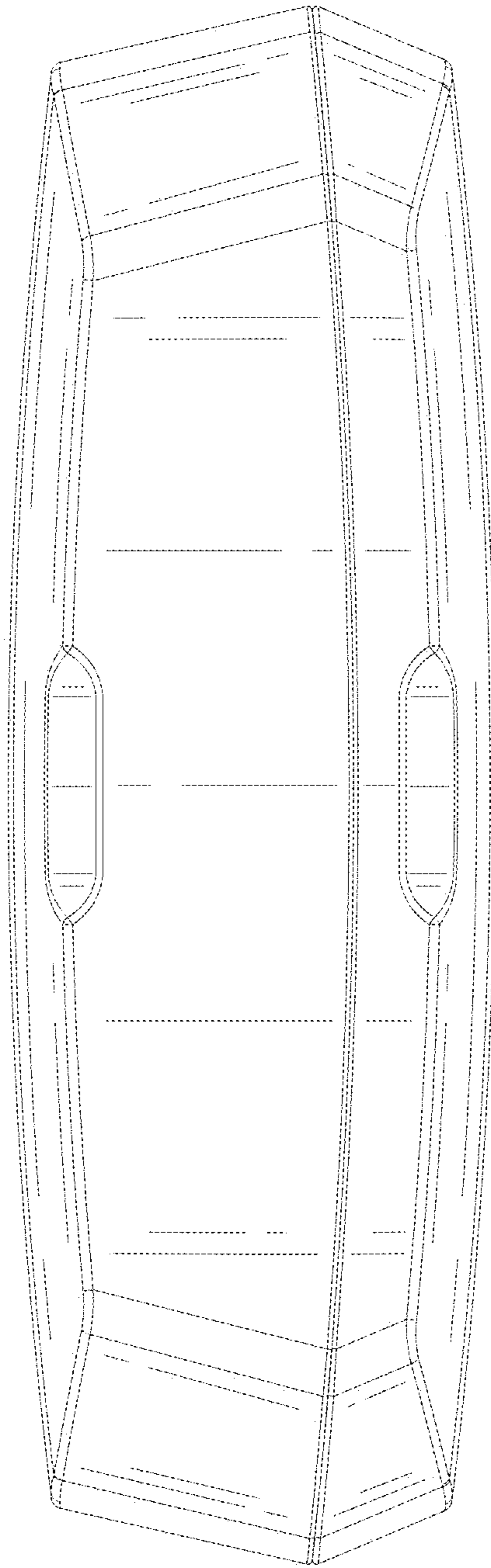


FIG. 6

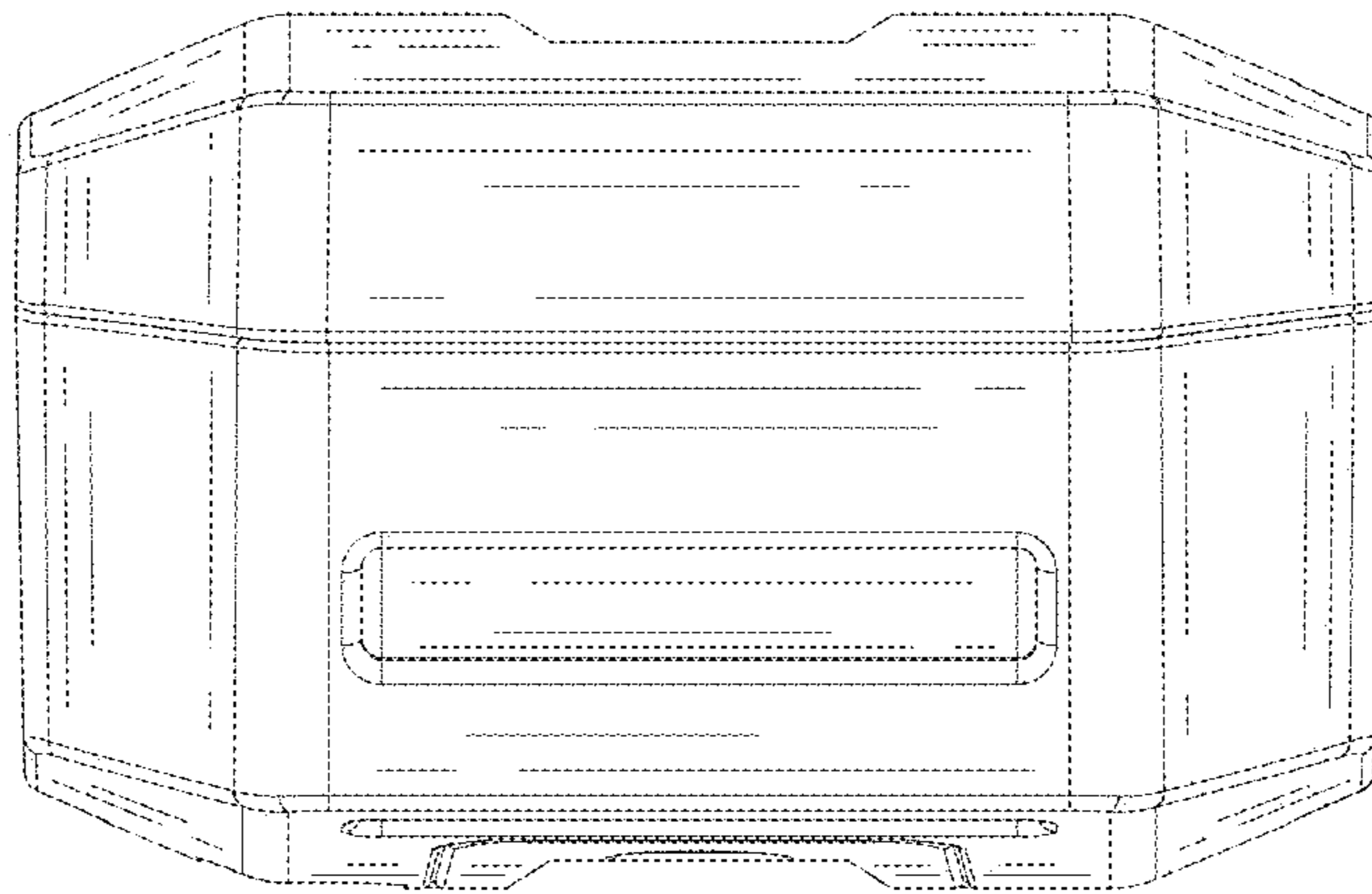


FIG. 7

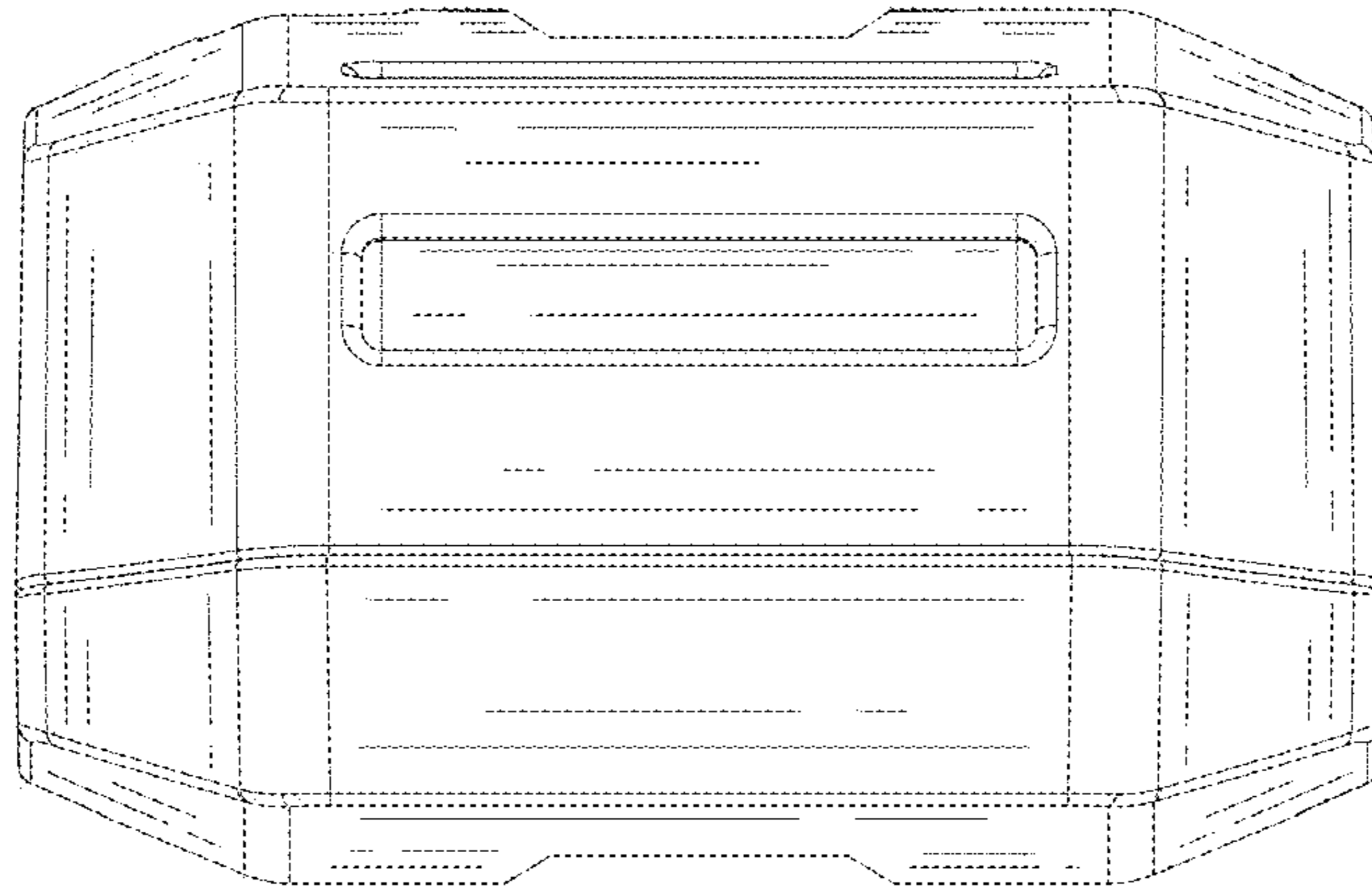


FIG. 8