



US0D1046484S

(12) **United States Design Patent** (10) **Patent No.:** **US D1,046,484 S**
Noon et al. (45) **Date of Patent:** **** Oct. 15, 2024**

- (54) **TOWEL BAR**
- (71) Applicant: **TAYMOR INDUSTRIES LTD.**, Delta (CA)
- (72) Inventors: **Jane Louise Noon**, Vancouver (CA); **Alan Wisniewski**, Clarksburg (CA)
- (73) Assignee: **Taymor Industries Ltd.**, Delta (CA)
- (**) Term: **15 Years**
- (21) Appl. No.: **29/753,368**
- (22) Filed: **Sep. 30, 2020**
- (51) **LOC (14) Cl.** **23-08**
- (52) **U.S. Cl.**
USPC **D6/549**
- (58) **Field of Classification Search**
USPC D6/512, 513, 515, 518, 521, 522, 523, D6/524, 546, 547, 548, 549, 550, 553, D6/675.2, 323
CPC A47K 10/025; A47K 10/00; A47K 10/03; A47K 10/04; A47K 10/10; A47K 10/08; A47K 10/06; A47K 10/16; A47K 10/18; A47K 10/24
See application file for complete search history.

(56) **References Cited**

U.S. PATENT DOCUMENTS

D131,506 S *	3/1942	Dreyfuss	D6/549
D249,854 S *	10/1978	Baldini	D6/546
D316,000 S *	4/1991	Logan	D6/572
D466,734 S *	12/2002	Moore	D6/523
D466,741 S *	12/2002	Moore	D6/549
D472,060 S *	3/2003	Hoernig	D6/323
D540,598 S *	4/2007	Massaud	D6/549
D547,956 S *	8/2007	Williams	D6/323
D573,825 S *	7/2008	Rubin	D6/546
D573,826 S *	7/2008	Rubin	D6/546
D717,550 S *	11/2014	Harden	D6/323

D861,372 S *	10/2019	Schaubach	D6/520
D911,741 S *	3/2021	Lazarini	D6/549
D935,204 S *	11/2021	Cowlin	D6/323

(Continued)

FOREIGN PATENT DOCUMENTS

CA	212356	*	7/2022
CA	198530	*	10/2022

OTHER PUBLICATIONS

Introducing Arc Deco by Taymor. Taymor (online) 12 pgs. Available Feb. 2021. [Retrieved Jun. 14, 2023] https://view.publitas.com/taymor-catalog/taymor_arc-deco-launch-brochure_canada/page/1 (Year: 2021).*

(Continued)

Primary Examiner — Marie D. Fast Horse
Assistant Examiner — Jennifer Sierra Yosinski
(74) *Attorney, Agent, or Firm* — BORDEN LADNER GERVAIS LLP; Curtis Behmann

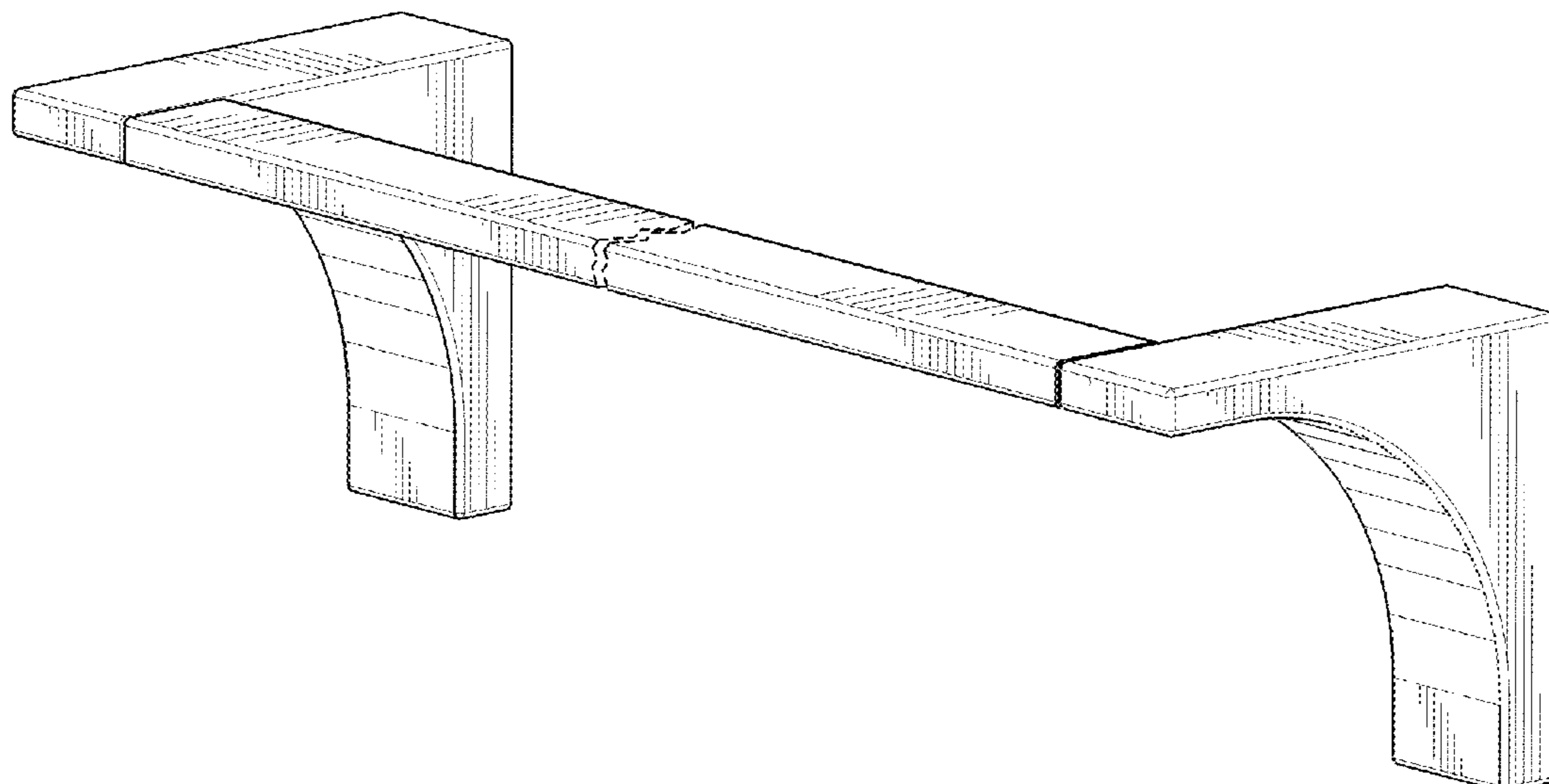
(57) **CLAIM**

The ornamental design for a towel bar as shown and described.

DESCRIPTION

FIG. 1 is a front perspective view of a towel bar showing the design;
FIG. 2 is a front view thereof;
FIG. 3 is a rear view thereof;
FIG. 4 is a top view thereof;
FIG. 5 is a bottom view thereof;
FIG. 6 is a right side view thereof; and,
FIG. 7 is a left side view thereof.
Shading is used in the drawings to better illustrate the design. The towel bar is shown with a symbolic break in its length. The appearance of any portion of the article between the break lines forms no part of the claimed design. The dashed broken lines in the drawings depict portions of the towel bar that form no part of the claim.

1 Claim, 4 Drawing Sheets



(56)

References Cited

U.S. PATENT DOCUMENTS

D954,526 S * 6/2022 Michalak D8/301
D1,002,232 S * 10/2023 Minale D6/549

OTHER PUBLICATIONS

Canadian Patent Application No. 198530, Office Action dated Jan.
27, 2022.

* cited by examiner

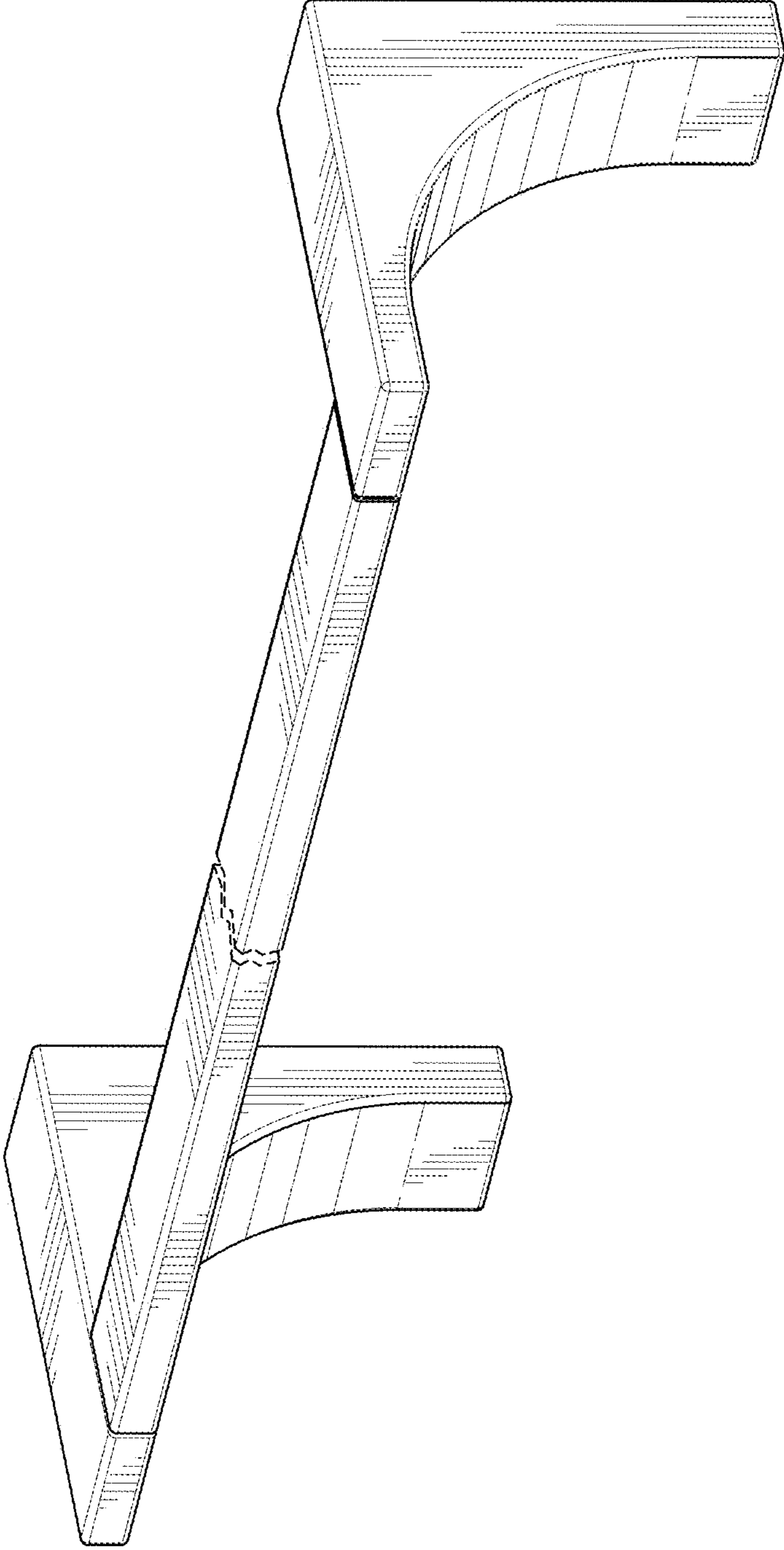


FIG.1

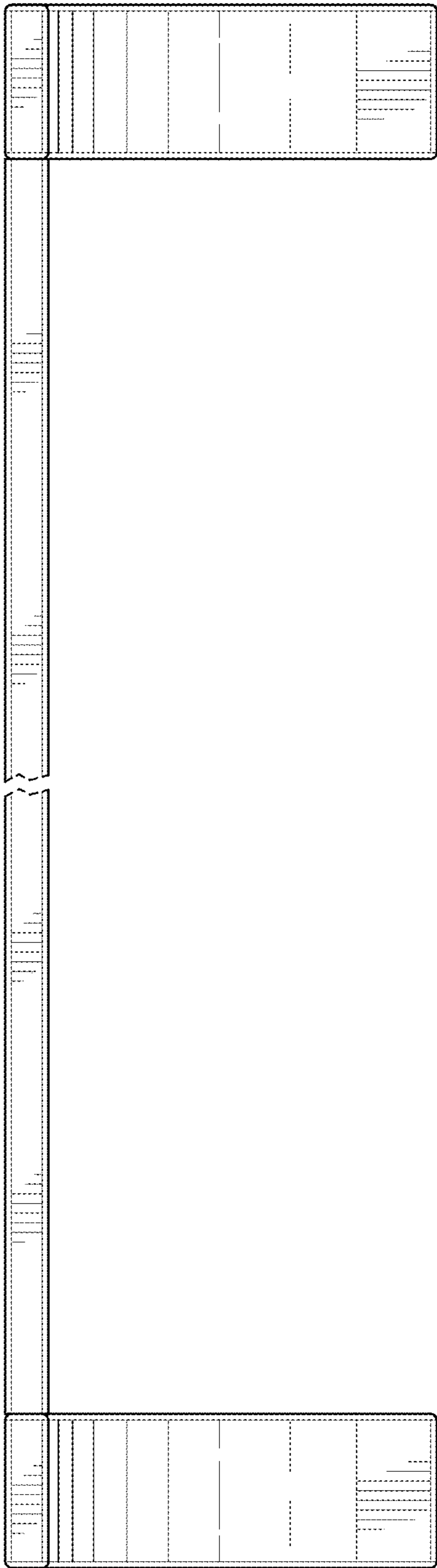


FIG. 2

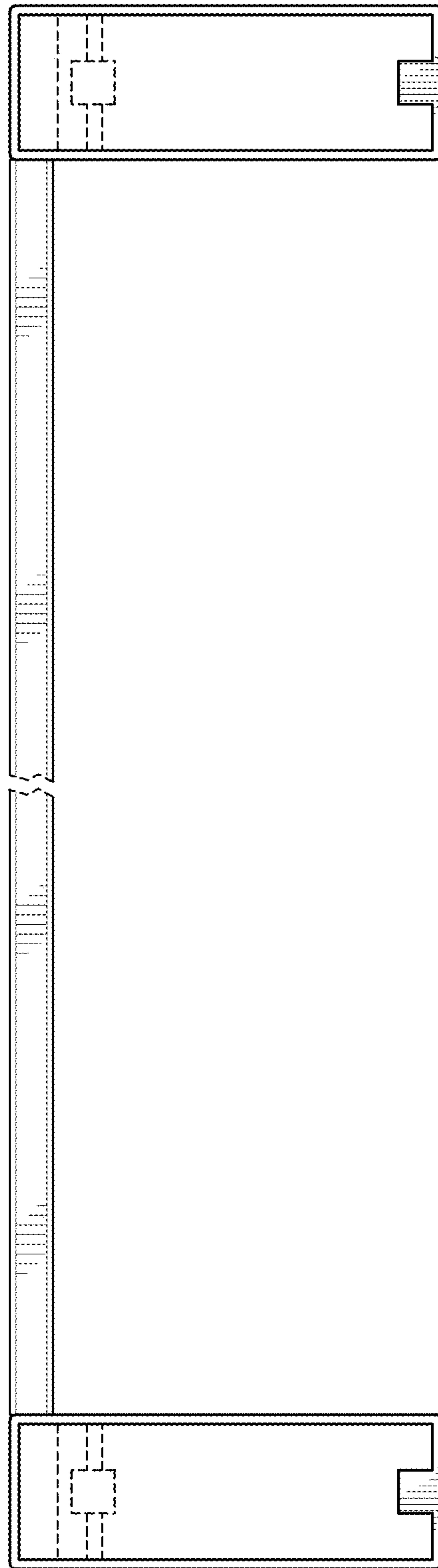


FIG. 3

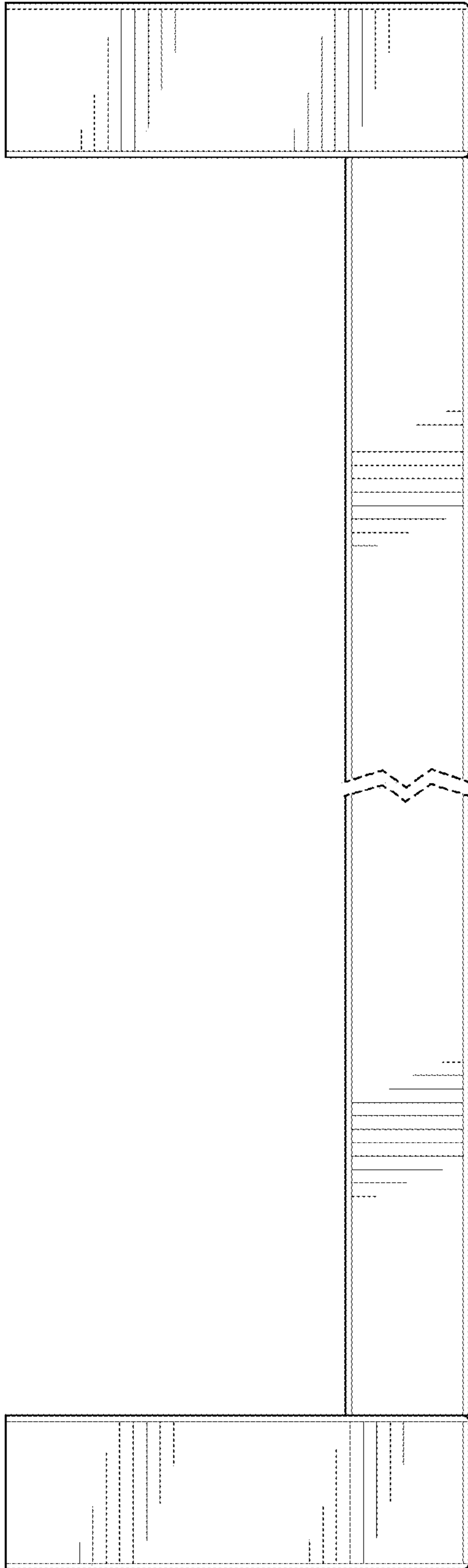


FIG. 4

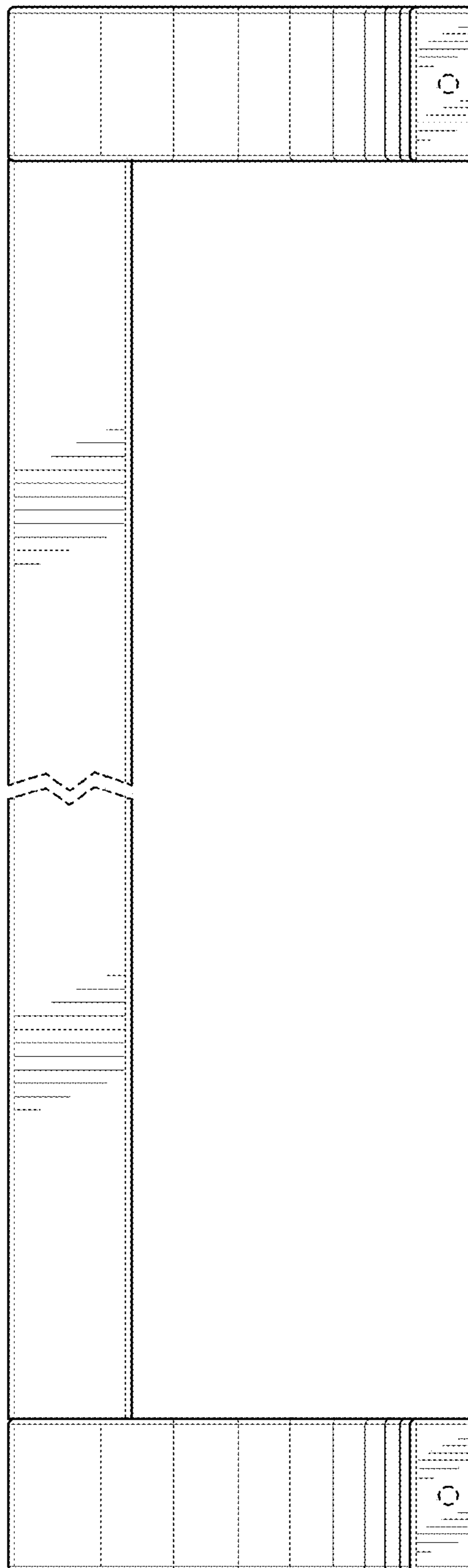


FIG. 5

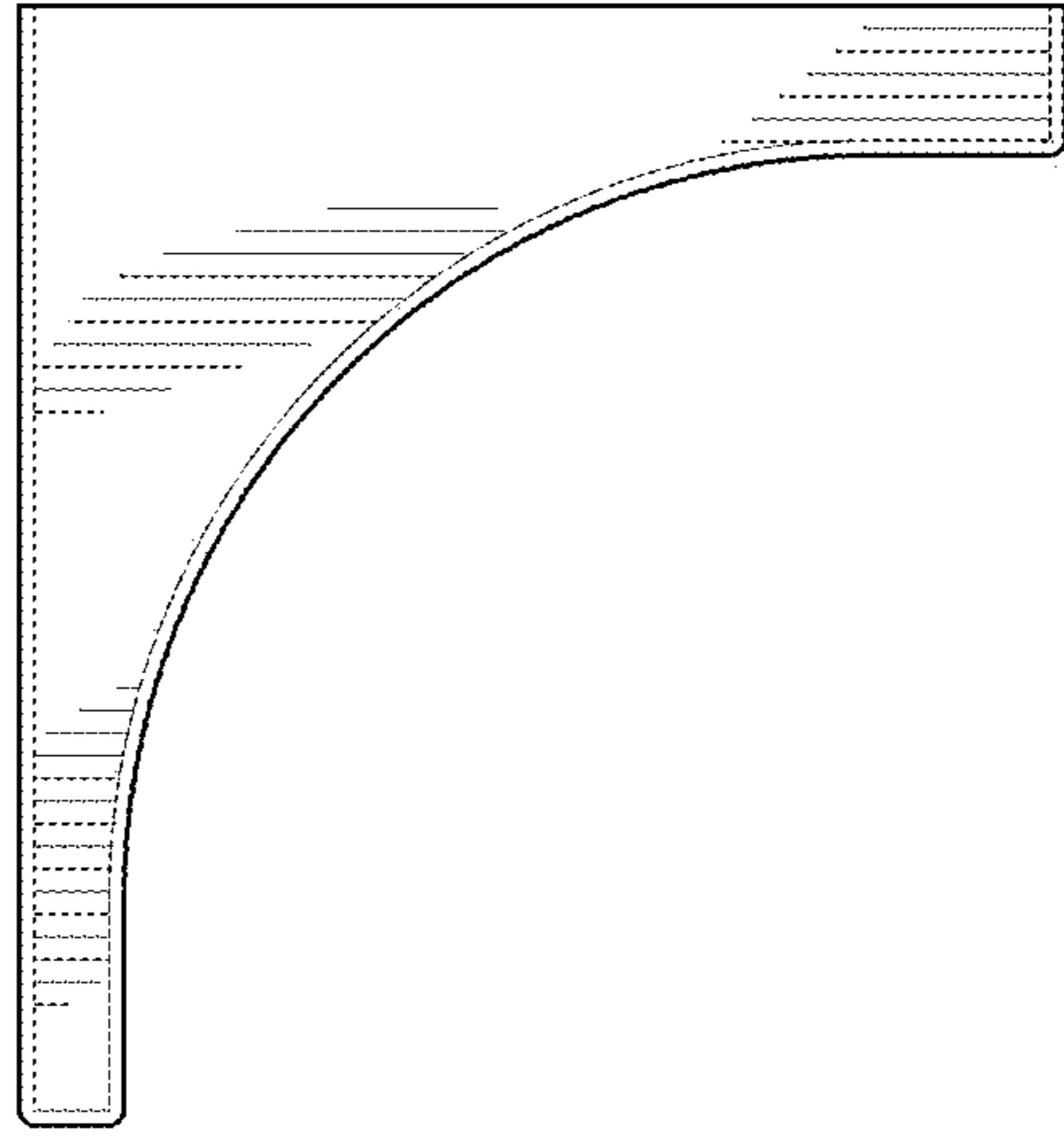


FIG. 6

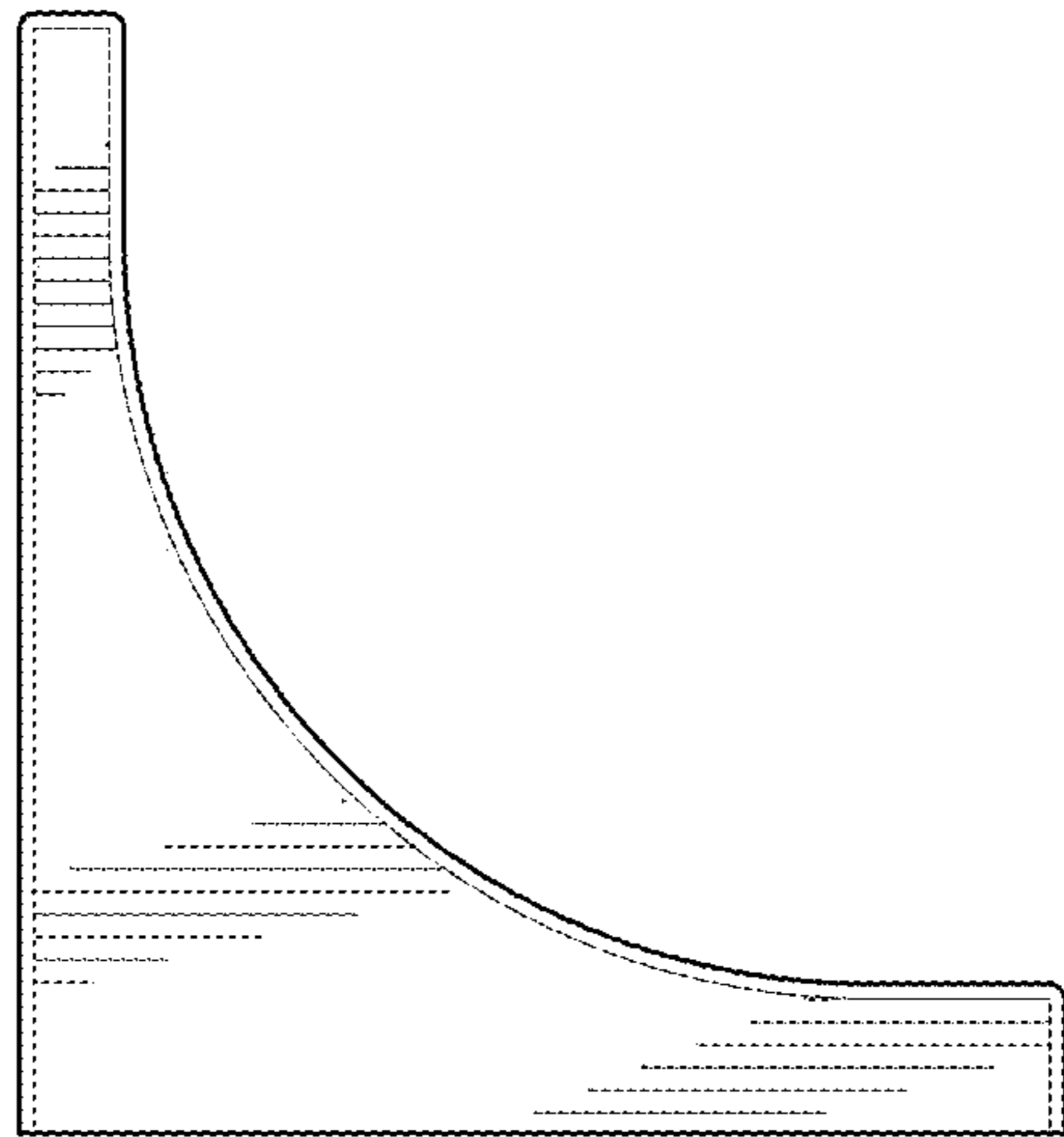


FIG. 7