



US0D1046416S

(12) **United States Design Patent** (10) **Patent No.:** **US D1,046,416 S**
Savio et al. (45) **Date of Patent:** **** Oct. 15, 2024**

(54) **MID-SOLE CLEAT**

5/02; A43B 5/002; A43B 5/18; A43B 5/185; A43B 5/06; A43B 5/14

See application file for complete search history.

(71) Applicant: **Geroline Inc.**, St. Catharines (CA)

(72) Inventors: **John Savio**, St. Catharines (CA); **Greg McCandless**, St. Catharines (CA)

(56) **References Cited**

U.S. PATENT DOCUMENTS

36,866 A 11/1862 Starr
156,094 A 10/1874 Lemmon
(Continued)

(73) Assignee: **Geroline Inc.**, St. Catharines (CA)

(**) Term: **15 Years**

OTHER PUBLICATIONS

(21) Appl. No.: **29/768,276**

K1 Series Original Mid-Sole Ice Cleat Low-Profile Black Strap, <https://www.premiersafety.com/k1-series-original-mid-sole-ice-cleat-low-profile-black-strap/>, copyright 2024. (Year: 2024).*

(22) Filed: **Jan. 28, 2021**

(Continued)

Related U.S. Application Data

(60) Division of application No. 29/667,469, filed on Oct. 22, 2018, now Pat. No. Des. 964,718, which is a
(Continued)

Primary Examiner — Elizabeth J Oswecki
(74) *Attorney, Agent, or Firm* — Andrus Intellectual Property Law, LLP

(30) **Foreign Application Priority Data**

Jul. 6, 2016 (CA) CA 169322
Jul. 6, 2016 (CA) CA 169323

(57) **CLAIM**

The ornamental design for a mid-sole cleat as shown and described.

(51) **LOC (14) Cl.** **02-04**

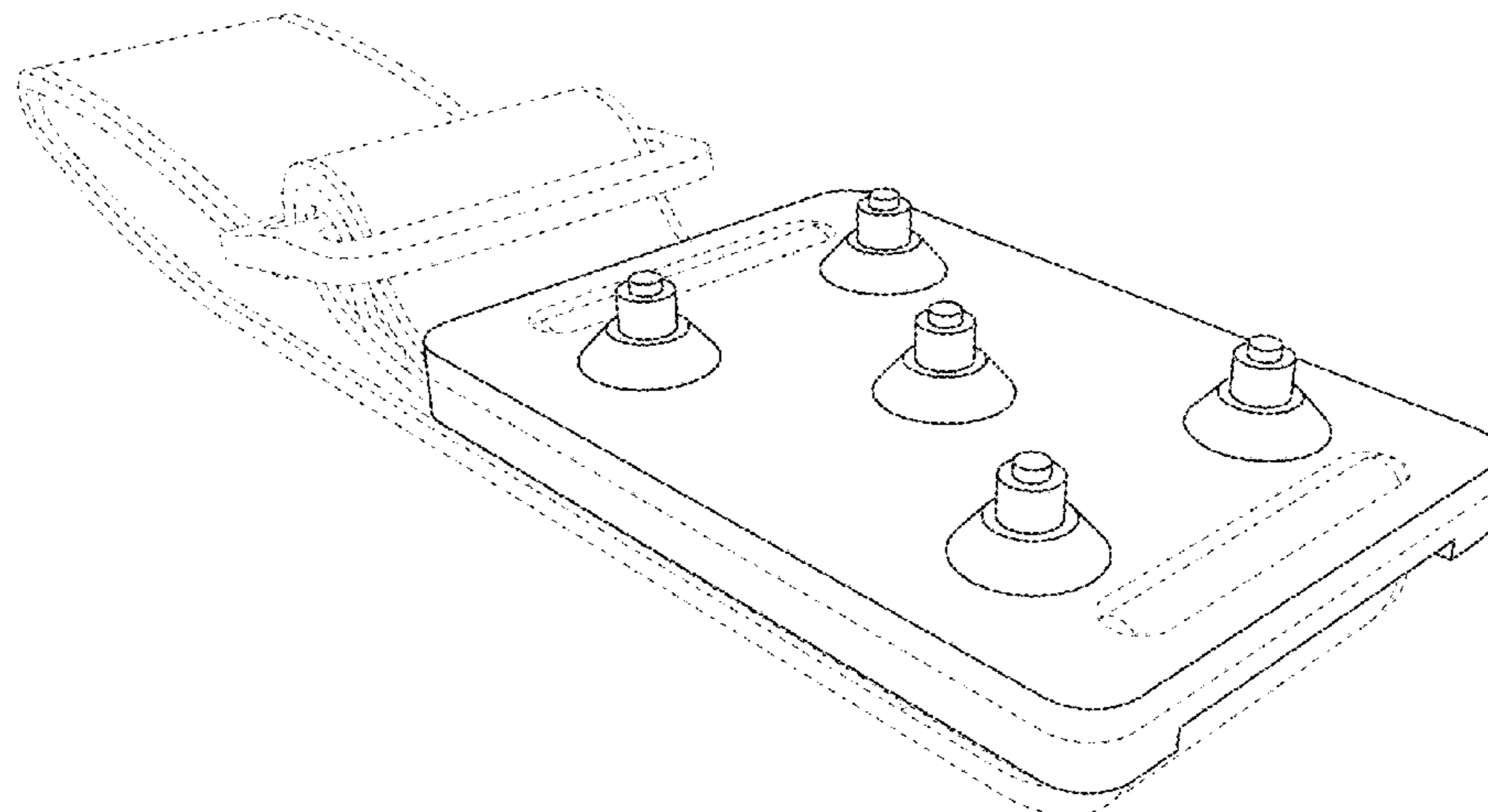
(52) **U.S. Cl.**
USPC **D2/962**; D2/946

DESCRIPTION

(58) **Field of Classification Search**
USPC D2/947, 962, 946, 906, 954, 960, 959, D2/624, 627, 62; D21/768, 771; 36/122, 36/124, 134, 59 R, 67 A
CPC A43C 15/063; A43C 15/065; A43C 15/02; A43C 15/061; A43C 15/066; A43C 15/06; A43C 15/068; A43C 15/08; A43C 15/161; A43C 15/00; A43C 15/04; A43C 15/16; A43B 5/00; A43B 5/001; A43B

FIG. 1 is a perspective view of a first embodiment of a mid-sole cleat showing our new design;
FIG. 2 is a top view thereof;
FIG. 3 is a side view thereof;
FIG. 4 is a bottom view thereof;
FIG. 5 is a front view thereof;
FIG. 6 is a back view thereof;
FIG. 7 is a perspective view of a second embodiment of a mid-sole cleat showing our new design;
FIG. 8 is a top view thereof;
FIG. 9 is a side view thereof;
FIG. 10 is a bottom view thereof;
FIG. 11 is a front view thereof; and,
FIG. 12 is a back view thereof.

(Continued)



The dashed lines show various portions and other elements in the figures for the purpose of illustrating unclaimed portions and form no part of the claimed design.

1 Claim, 6 Drawing Sheets

Related U.S. Application Data

continuation of application No. 29/627,578, filed on Nov. 28, 2017, now Pat. No. Des. 831,320, which is a division of application No. 29/576,119, filed on Aug. 31, 2016, now Pat. No. Des. 807,005.

(56)

References Cited

U.S. PATENT DOCUMENTS

905,510	A	12/1908	Frautschi, Jr.
1,032,600	A	7/1912	Grout
1,275,917	A	8/1918	Herman
2,006,802	A	7/1935	Goodman
2,045,066	A	6/1936	Bower
2,179,178	A	11/1939	Helmer
2,208,200	A	7/1940	Sloan
2,296,660	A	9/1942	Bowman
2,313,316	A	3/1943	Block
2,366,649	A	1/1945	Priess
2,401,891	A	6/1946	Smith
2,431,748	A	12/1947	Tony
2,438,193	A	3/1948	Wayne
2,636,175	A	4/1953	Hoffman
2,658,289	A	11/1953	Schrieber
3,691,659	A	9/1972	Nakajima

3,838,528	A	10/1974	Johnson
4,005,533	A	2/1977	Anderson et al.
D262,157	S	12/1981	Kinchen et al.
D336,559	S	6/1993	Carmichael
5,485,687	A	1/1996	Rohde
6,434,859	B1	8/2002	Kim
8,371,045	B2	2/2013	Tambay
D790,172	S	6/2017	Hatfield
D807,005	S	1/2018	Savio
D831,320	S	10/2018	Savio et al.
D879,443	S	3/2020	Fridgen
D952,309	S *	5/2022	Lv A43C 15/061 D2/962
D953,719	S *	6/2022	Hernandez Garcilazo D2/962
D964,718	S *	9/2022	Savio D2/962
D1,000,081	S *	10/2023	Savio D2/962
2011/0083344	A1	4/2011	Tambay
2017/0251765	A1	9/2017	Romeril
2021/0401125	A1 *	12/2021	DeCaire A43C 15/02
2022/0031025	A1 *	2/2022	Dente A43C 15/02

OTHER PUBLICATIONS

K1 Series Mid-Sole Ice Cleat, <https://www.alaskasafety.com/product/k1-series-mid-sole-ice-cleat/>, copyright 2019. (Year: 2019).*

1 Pair 2017 New Durable Anti Slip Snow Ice Climbing Spikes, Jun. 19, 2017, [online], [site visited Aug. 26, 2017]. Retrieved from url: <https://www.aliexpress.com/item/Winter-5-studs-Snow-Anti-Slip-ice-crampons-Mens-Ice-Snow-Crampons-Shoes-snow-walker-for/32802916137.html?spm=2114.search0302.4.40.1clbun>.

K1 Midsole—Industrial Commercial model of innovative, new ice Cleat, Jul. 27, 2016, [online], [site visited Sep. 7, 2017]. Retrieved from url: <https://www.youtube.com/watch?v=mmnrwnQYIaw>.

* cited by examiner

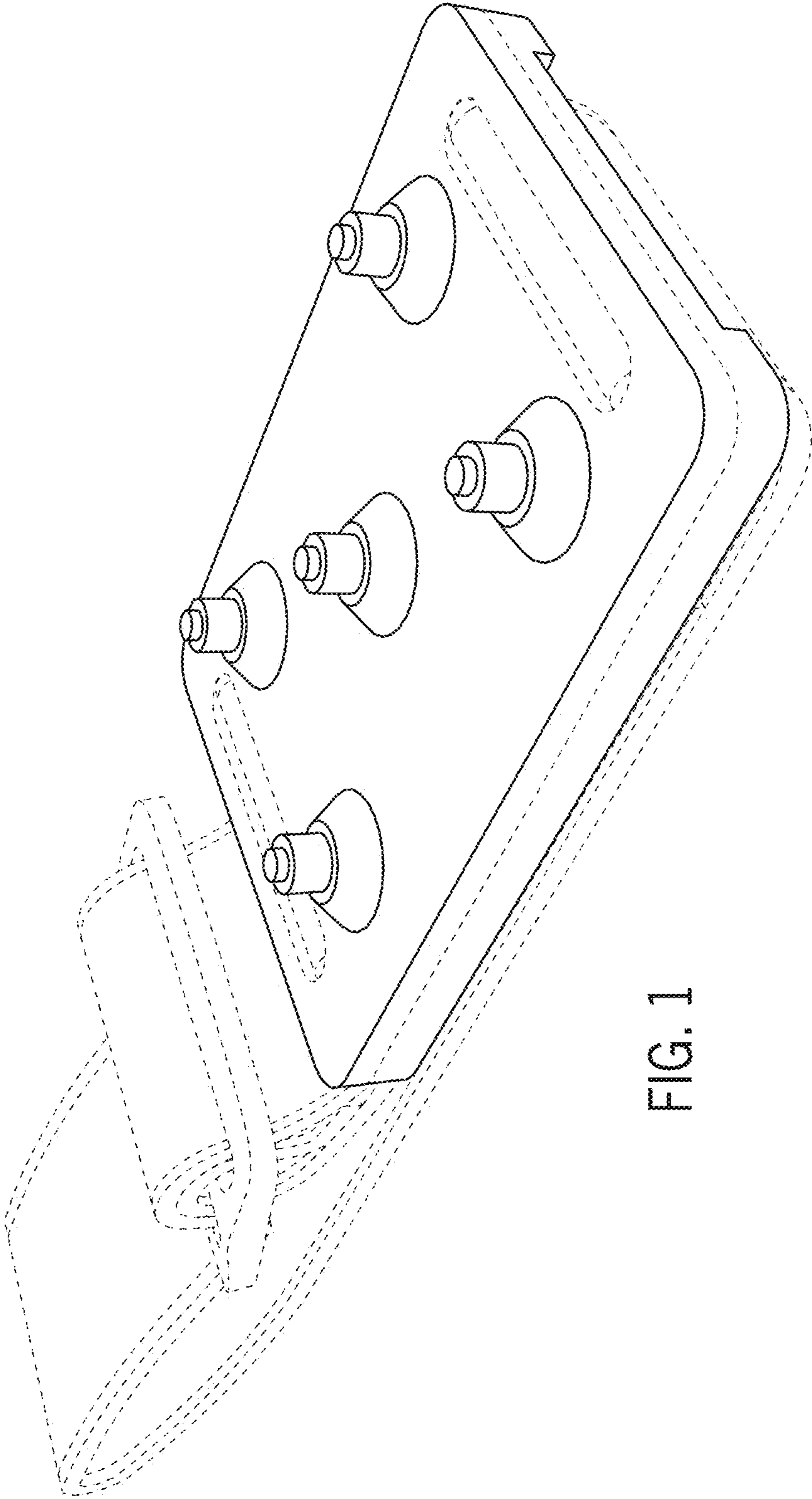


FIG. 1

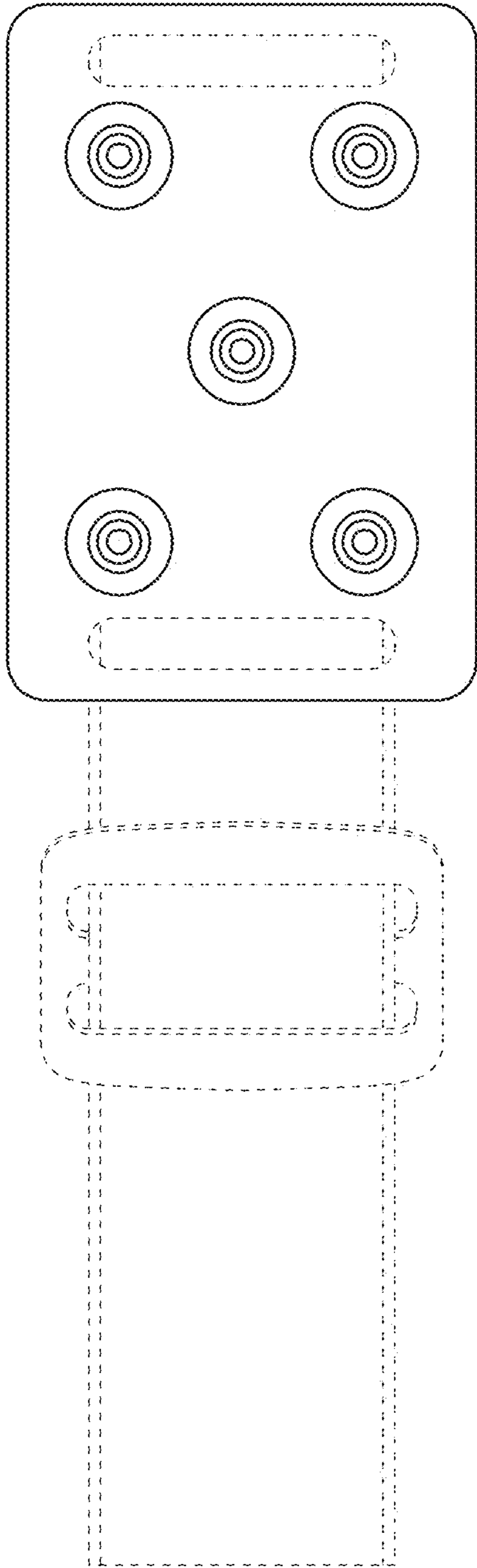


FIG. 2

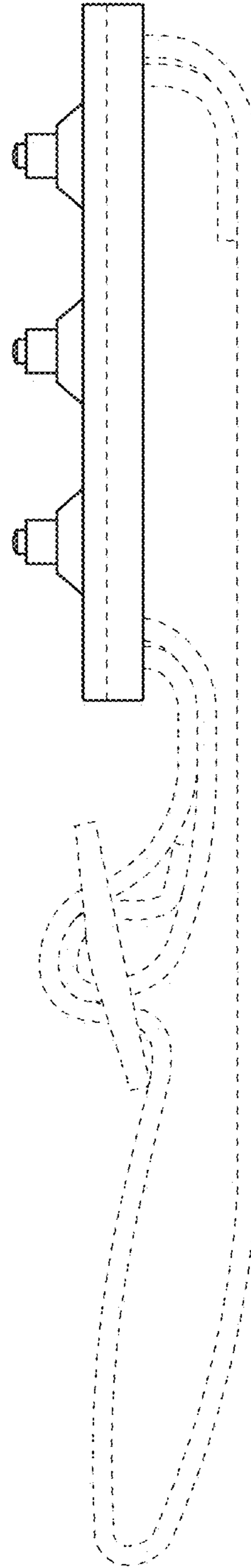


FIG. 3

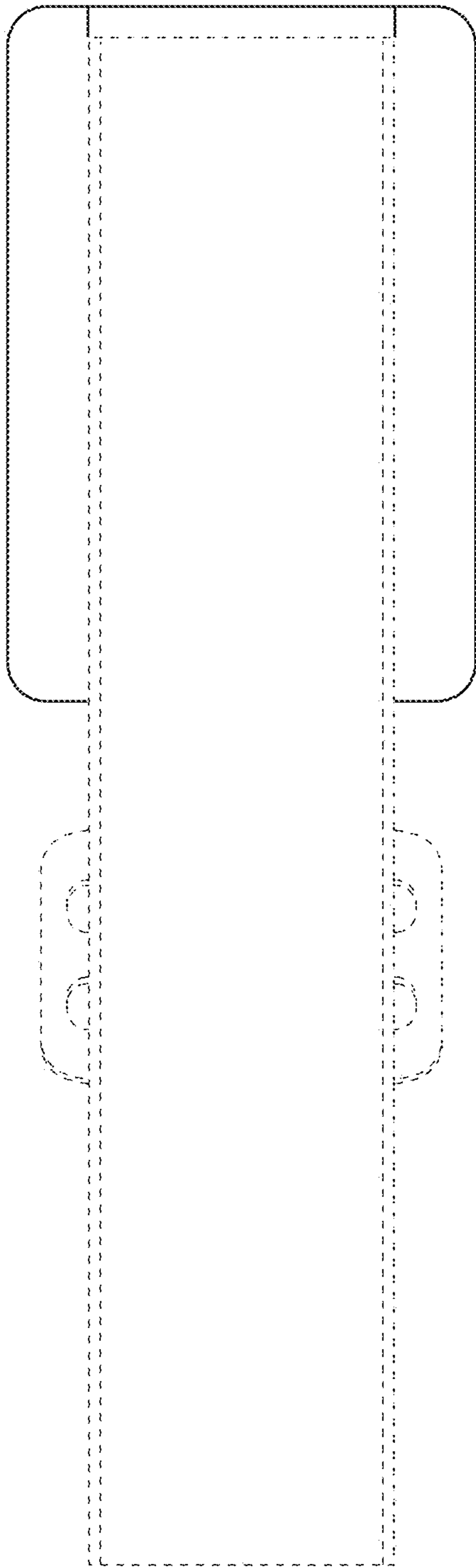


FIG. 4

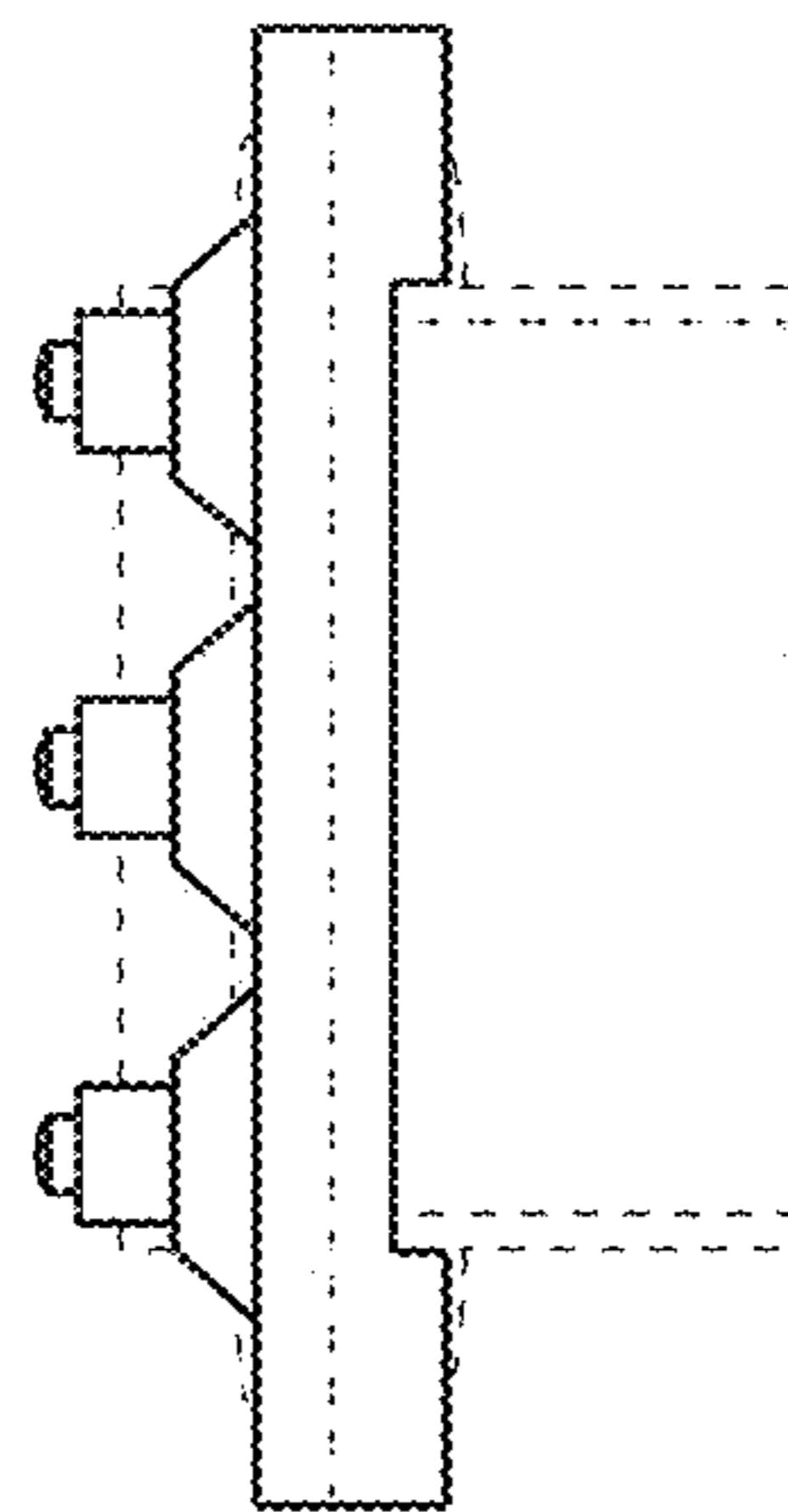


FIG. 5

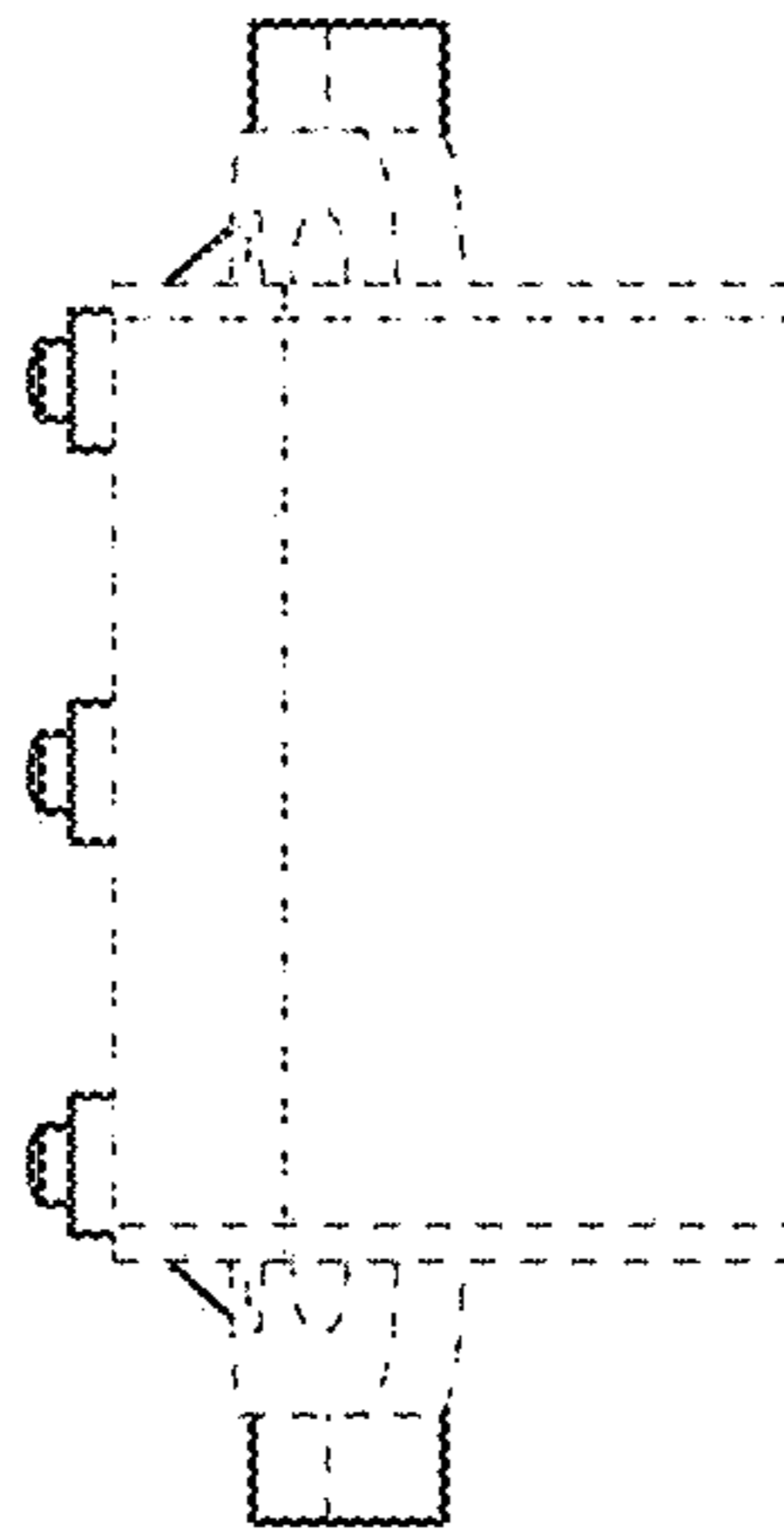


FIG. 6

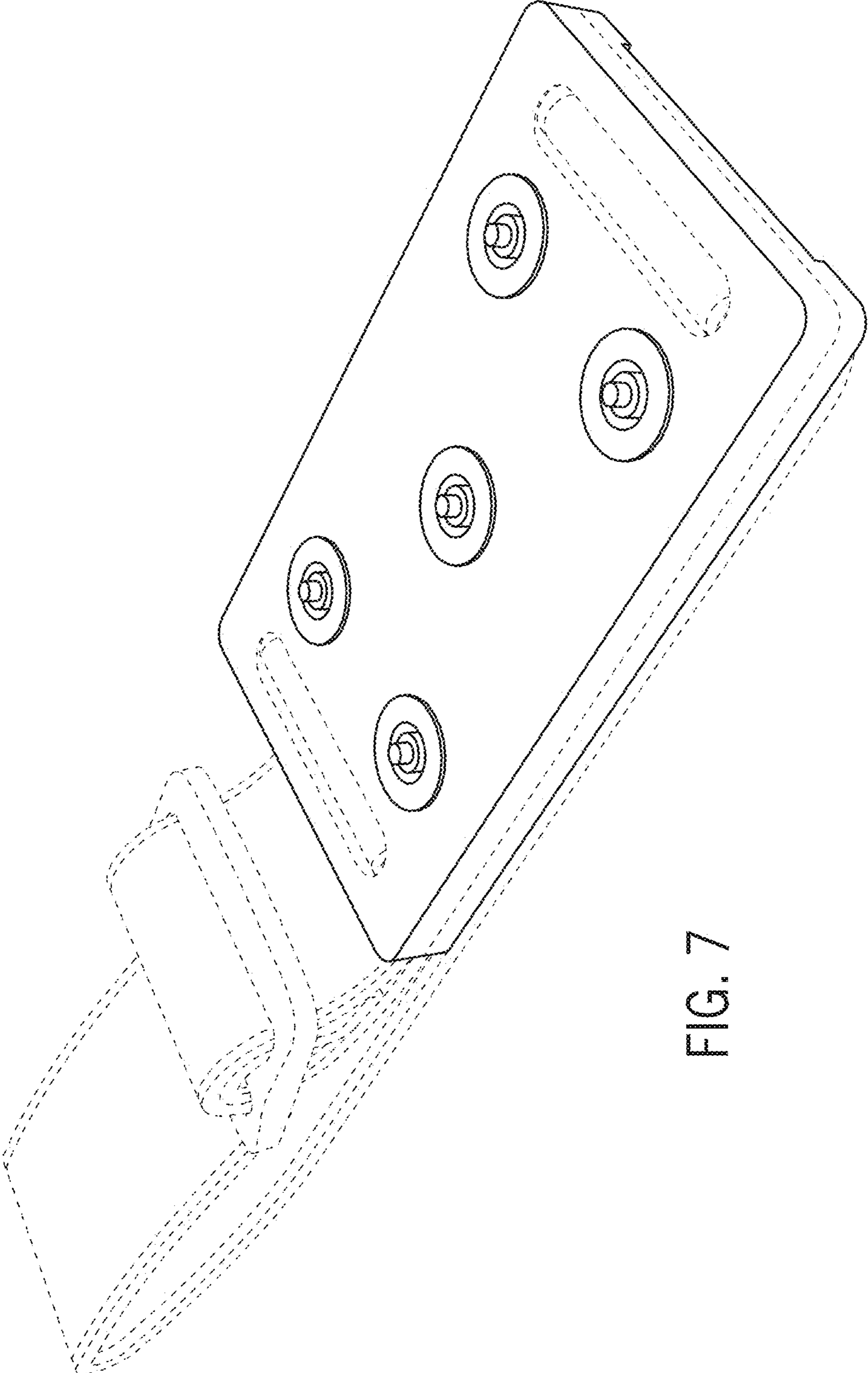


FIG. 7

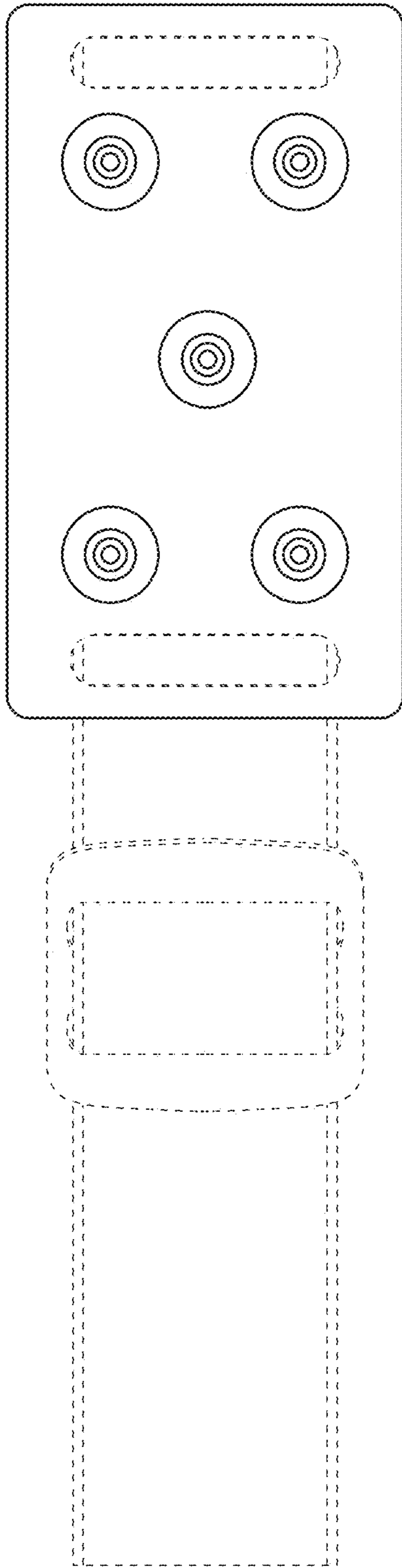


FIG. 8

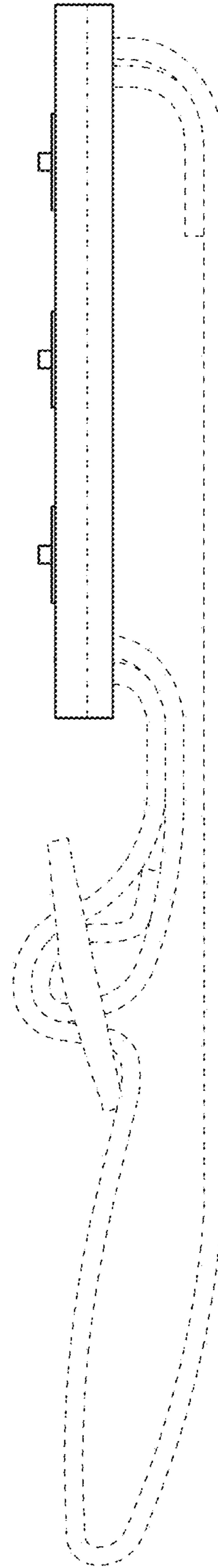


FIG. 9

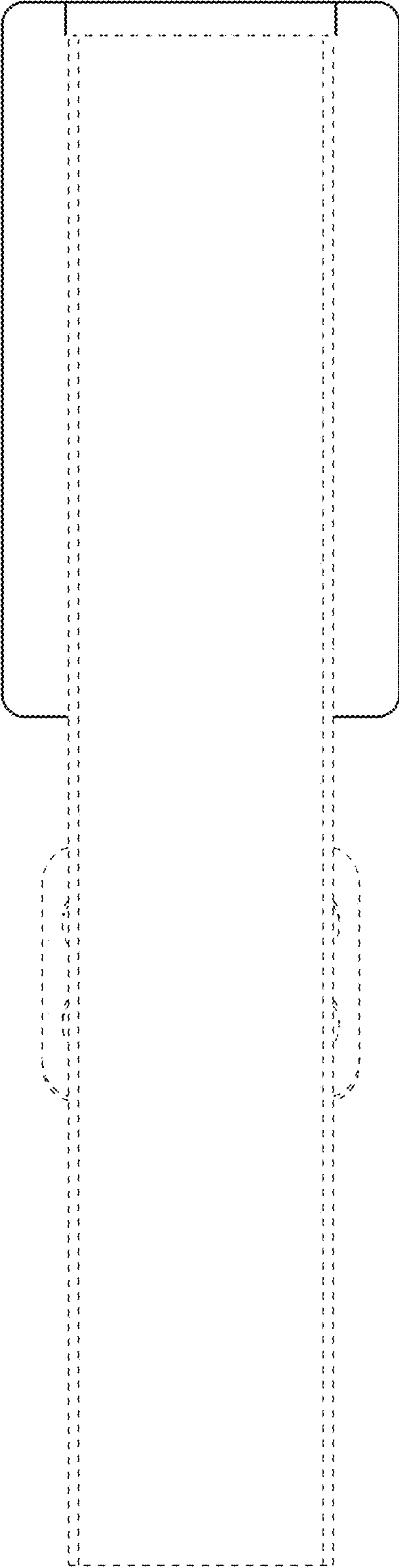


FIG. 10

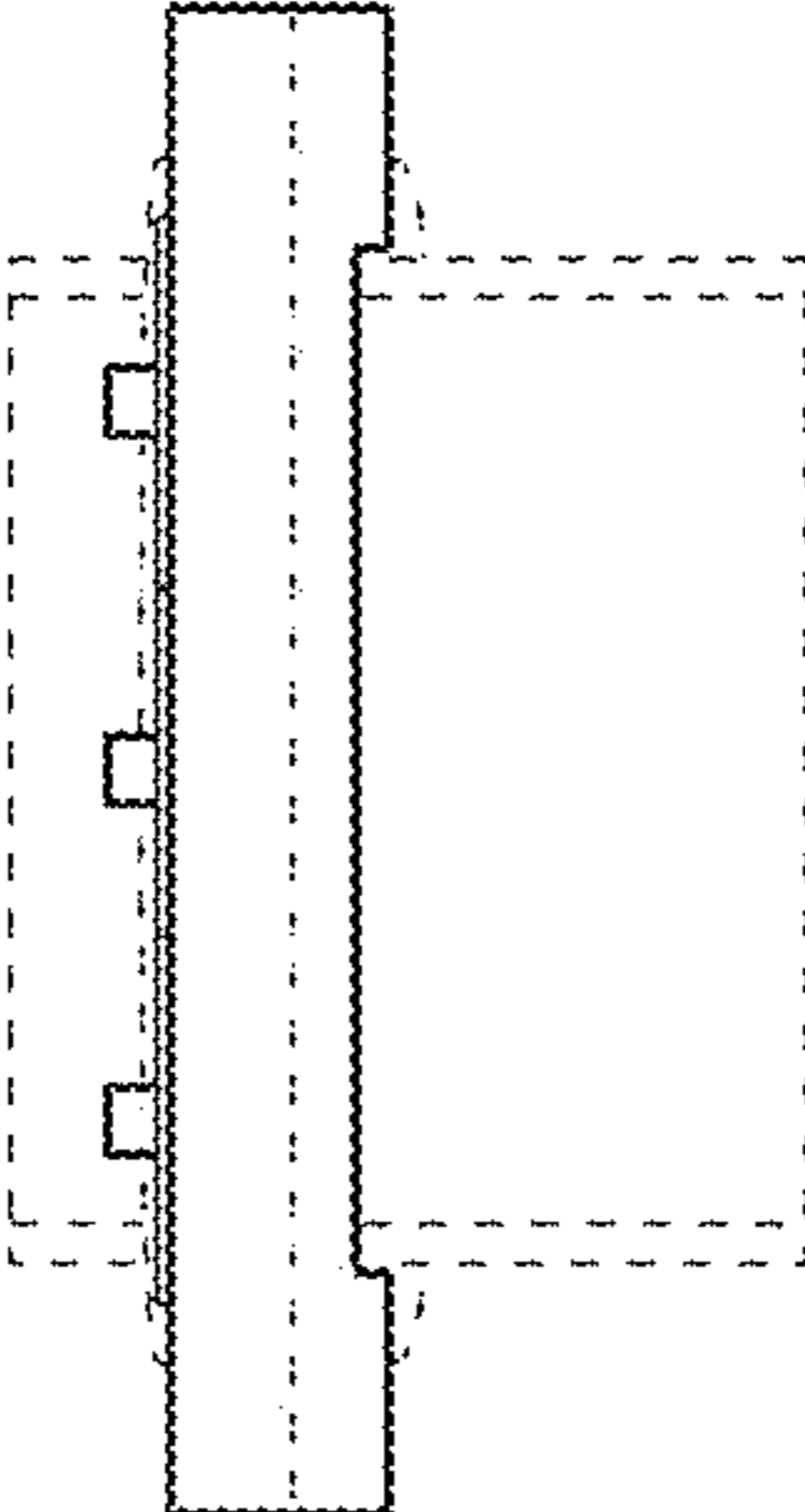


FIG. 12

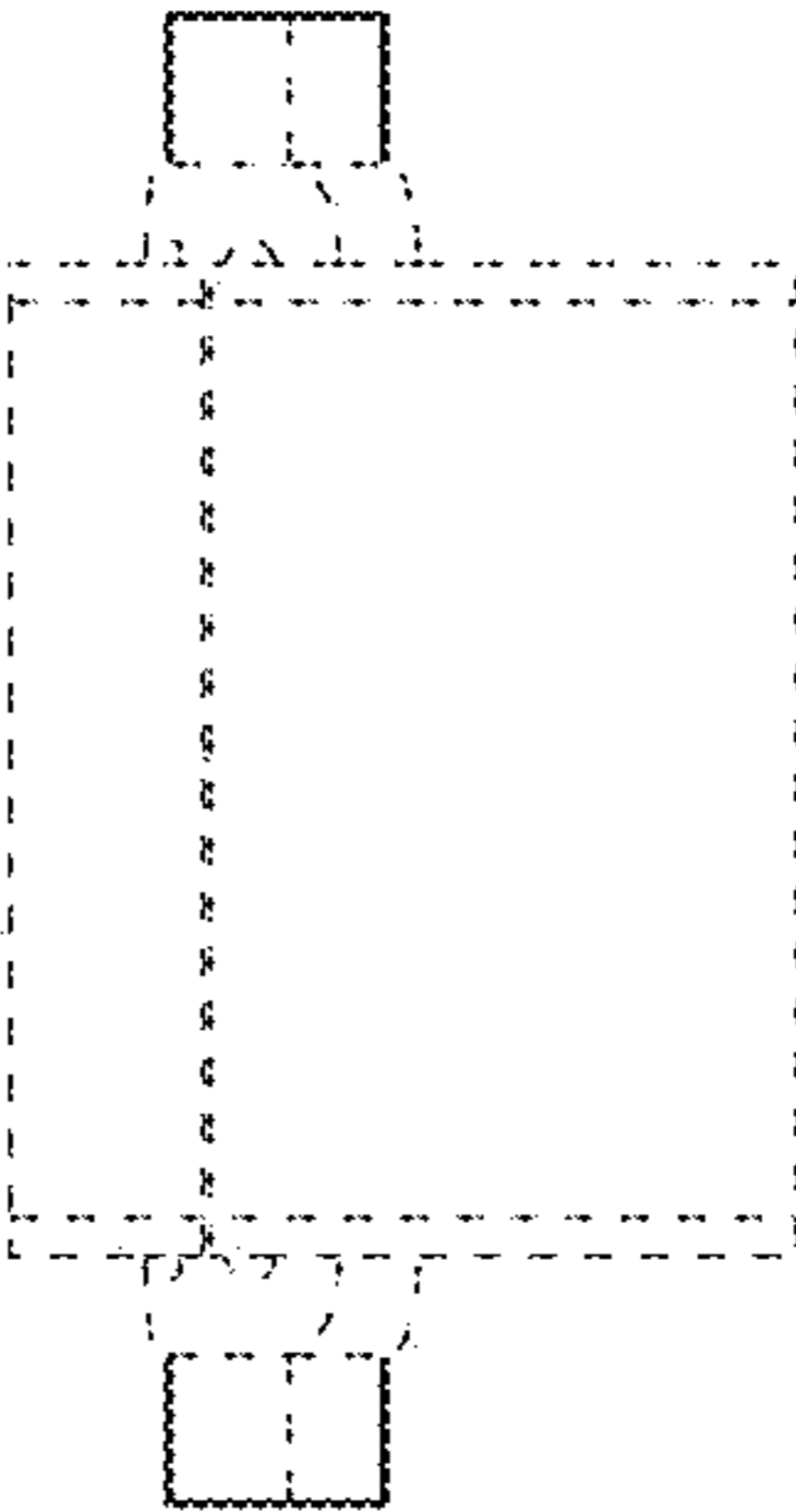


FIG. 11