



US0D1046311S

(12) **United States Design Patent** (10) **Patent No.:** **US D1,046,311 S**
Dickson (45) **Date of Patent:** **** Oct. 8, 2024**

(54) **SLEEVE FOR A DESCENT CONTROLLER**

FOREIGN PATENT DOCUMENTS

(71) Applicant: **Tech Safety Lines, Inc.**, Carrollton, TX (US)

CA 771509 A 11/1967
CN 102548349 A 7/2012

(Continued)

(72) Inventor: **Johnny Dickson**, Van Alstyne, TX (US)

OTHER PUBLICATIONS

(73) Assignee: **Tech Safety Lines, Inc.**, Carrollton, TX (US)

Youtube, "Tech Safety Lines' Aerial Platform (MEWP) Rescue Solutions", first available Apr. 18, 2019. (https://www.youtube.com/watch?v=PFYbeU3DBXw&feature=emb_title) (Year: 2019).*

(**) Term: **15 Years**

(Continued)

(21) Appl. No.: **29/840,037**

(22) Filed: **May 25, 2022**

Primary Examiner — Leanne Was-Englehart

Assistant Examiner — Justin A Johnson

(74) *Attorney, Agent, or Firm* — Vincent J. Allen; Jorge Miguel Hernandez; Carstens, Allen & Gourley, LLP

Related U.S. Application Data

(57) **CLAIM**

(63) Continuation-in-part of application No. 29/709,731, filed on Oct. 16, 2019, now Pat. No. Des. 957,743.

The ornamental design for a sleeve for a descent controller, as shown and described herein.

(51) **LOC (14) Cl.** **02-99**

DESCRIPTION

(52) **U.S. Cl.**
USPC **D29/122**

(58) **Field of Classification Search**
USPC D29/117.1, 117.2, 122
CPC A62B 1/00; A62B 1/06; A62B 1/08; A62B 1/10; A62B 1/12; A62B 1/14; A62B 1/16; A62B 1/18; A62B 1/20; A62B 17/00; A62C 2/00; A62C 3/00; A62C 3/07; A62C 8/00;

(Continued)

FIG. 1 is a front perspective view of the sleeve for a descent controller;
FIG. 2 is a bottom perspective view of the sleeve for a descent controller;
FIG. 3 is a front view of the sleeve for a descent controller;
FIG. 4 is a rear view of the sleeve for a descent controller;
FIG. 5 is a left elevation view of the sleeve for a descent controller;
FIG. 6 is a right elevation view of the sleeve for a descent controller;
FIG. 7 is a top elevation view of the sleeve for a descent controller; and,
FIG. 8 is a bottom elevation view of the sleeve for a descent controller.

(56) **References Cited**

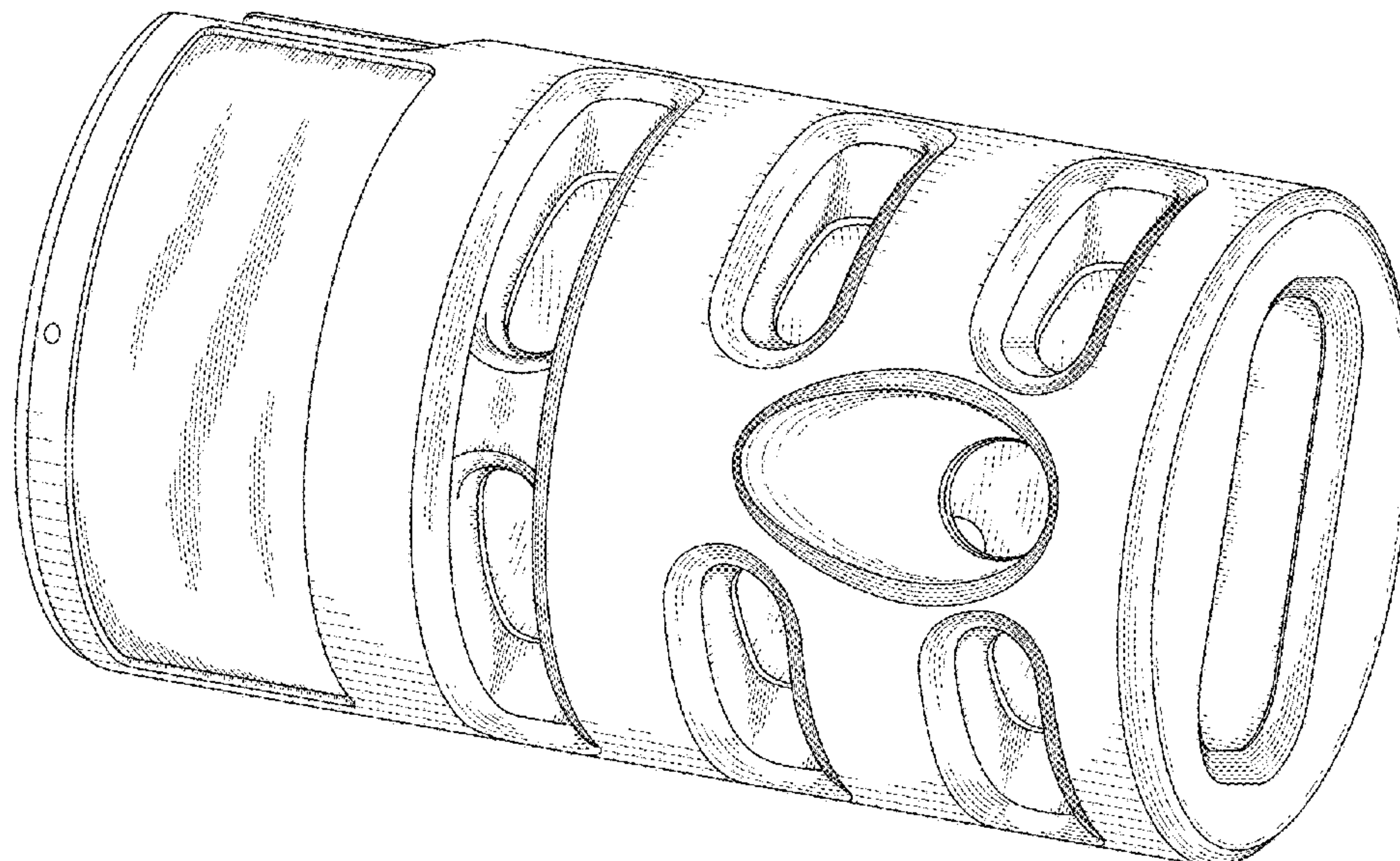
U.S. PATENT DOCUMENTS

263,775 A 9/1882 Emmert
300,857 A * 6/1884 Evans A62B 1/14
182/192

(Continued)

The broken lines illustrate portions of the environment illustrate portions of the sleeve for a descent controller. None of the broken lines form part of the claimed design.

1 Claim, 7 Drawing Sheets



(58) **Field of Classification Search**

CPC A62C 11/00; A62C 11/005; A62C 13/00;
 A62C 13/003; A62C 13/006; A62C
 13/02; A62C 13/04; A62C 13/06; A62C
 13/08; A62C 13/14; A62C 13/18; A62C
 13/20; A62C 13/22; A62C 13/62; A62C
 13/64; A62C 13/66; A62C 13/68; A62C
 13/70; A62C 13/72; A62C 13/74; A62C
 13/76; A62C 13/78; A62C 35/20; A62C
 99/00; A62C 99/0009; A62C 99/0018;
 A62C 99/0027; A62C 99/0036; A62C
 99/0045; A62C 99/0054; A62C 99/0063;
 A62C 99/0072; A62C 99/0081; A62C
 99/009

See application file for complete search history.

(56) **References Cited**

U.S. PATENT DOCUMENTS

D28,992	S	7/1898	Eldon	
3,335,469	A	8/1967	Shand et al.	
3,949,832	A	4/1976	Hunter	
4,040,627	A	8/1977	Useldinger	
4,474,262	A	10/1984	Himmelrich	
4,508,193	A	4/1985	Forrest	
4,576,248	A	3/1986	Marom	
4,651,351	A *	3/1987	Endo	A62B 1/14 2/167
4,883,146	A	11/1989	Varner et al.	
5,038,888	A	8/1991	Varner et al.	
5,090,503	A	2/1992	Bell	
5,131,491	A *	7/1992	Varner	A62B 1/06 182/7
D385,936	S	11/1997	Nakazaki	
5,738,046	A	4/1998	Williams et al.	
5,848,667	A	12/1998	Davidson	
D422,200	S	4/2000	Maruyama	
6,800,007	B2	10/2004	Calkin	
6,814,185	B1	11/2004	Ostrobrod	
7,036,628	B2	5/2006	Wilcox et al.	
7,131,515	B2	11/2006	Gartsbeyn et al.	
D533,813	S *	12/2006	Fujiwara	B62J 33/00 D12/114
D599,961	S	9/2009	Arshadi	

7,650,717	B2	1/2010	Drayer	
D616,950	S	6/2010	Hersee et al.	
7,942,241	B2	5/2011	Botti	
8,353,386	B2	1/2013	Helms	
9,320,925	B2	4/2016	Wise	
9,643,034	B2	5/2017	Wise	
D854,395	S	7/2019	Meyer et al.	
10,918,892	B2	2/2021	Dickson	
D933,308	S *	10/2021	Dickson	D29/122
D957,742	S *	7/2022	Dickson	D29/122
D957,743	S *	7/2022	Dickson	D29/122
2003/0057018	A1	3/2003	Dodson et al.	
2003/0057023	A1	3/2003	Gartsbeyn et al.	
2004/0231923	A1	11/2004	Gartsbeyn et al.	
2005/0230184	A1	10/2005	Ansaldo	
2006/0113147	A1	6/2006	Harris, Jr. et al.	
2007/0007266	A1	1/2007	Sasaki et al.	
2007/0272484	A1	11/2007	Helms	
2010/0051381	A1	3/2010	Wydner et al.	
2020/0330799	A1 *	10/2020	Dickson	A62B 1/14
2021/0196991	A1	7/2021	Dickson	

FOREIGN PATENT DOCUMENTS

CN	102721020	A	10/2012
CN	102247663	B	6/2013
CN	203631161	U	6/2014
EP	3159047	A1	4/2017
JP	D1688913	*	7/2021

OTHER PUBLICATIONS

Open Tip, "Sky Genie DS-L Descender Sky Genie", First accessed Feb. 23, 2021. (https://www.opentip.com/Sky-Genie-DS-L-Descender-Sky-Genie-p-4180457.html?ad=rc_related) (Year: 2021).*

Instagram, "Highnovate", first available Jan. 1, 2021. (https://www.instagram.com/p/CJgf5BJhKi_I/) (Year: 2021).*

Tech Safety Lines, "SRK-15", first accessed Feb. 23, 2021. (https://www.techsafetylines.com/app/uploads/2019/12/TSL_SRK-15_Global-Kit.pdf) (Year: 2021).*

Instagram, "Highnovate", first available Jan. 1, 2021. (https://www.instagram.com/p/CJgf5BJhKi_I/) (Year: 2021).

Tech Safety Lines, "SRK-15", first accessed Feb. 23, 2021. (https://www.techsafetylines.com/app/uploads/2019/12/TSL_SRK-15_Global-Kit.pdf) (Year: 2021).

* cited by examiner

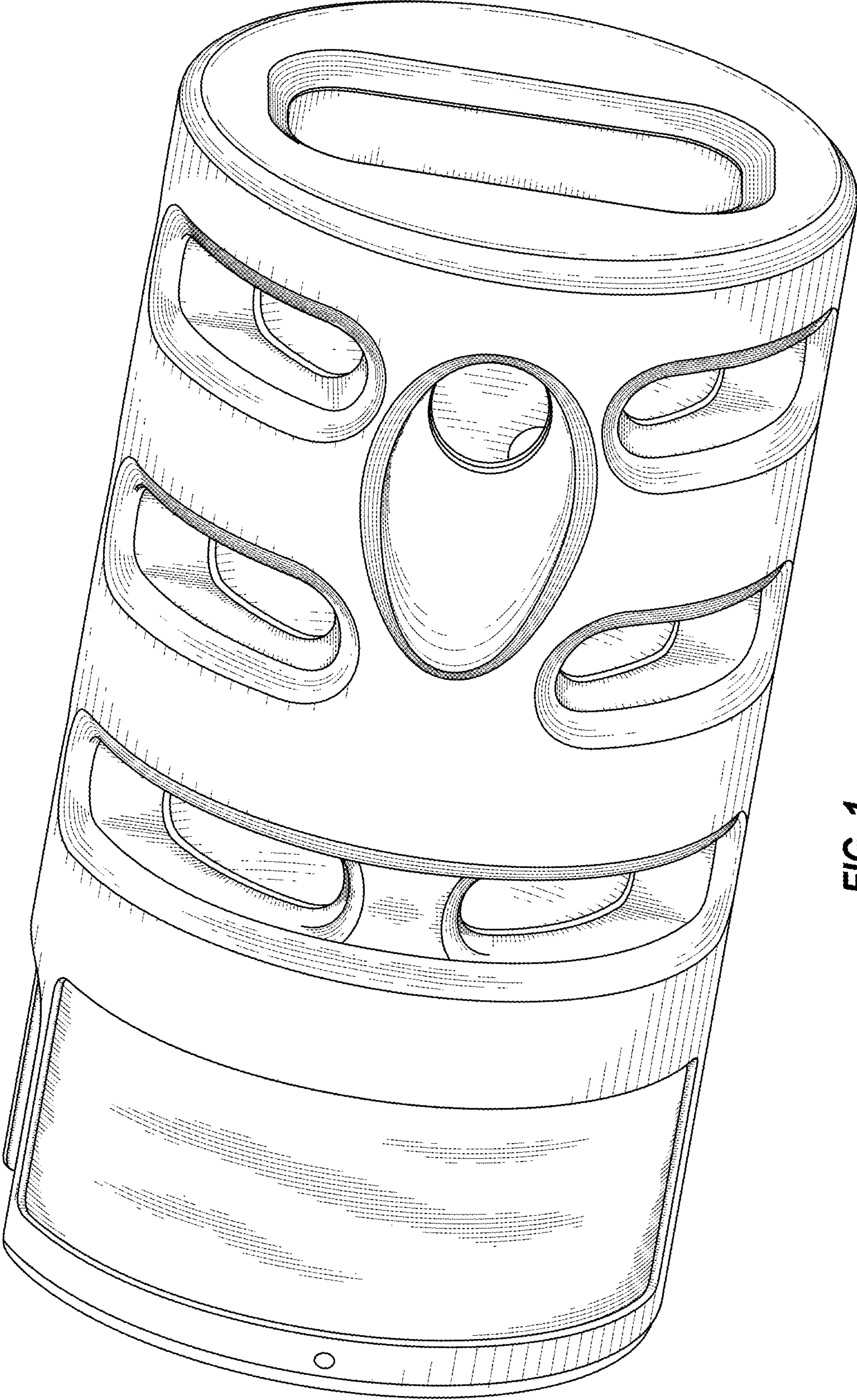


FIG. 1

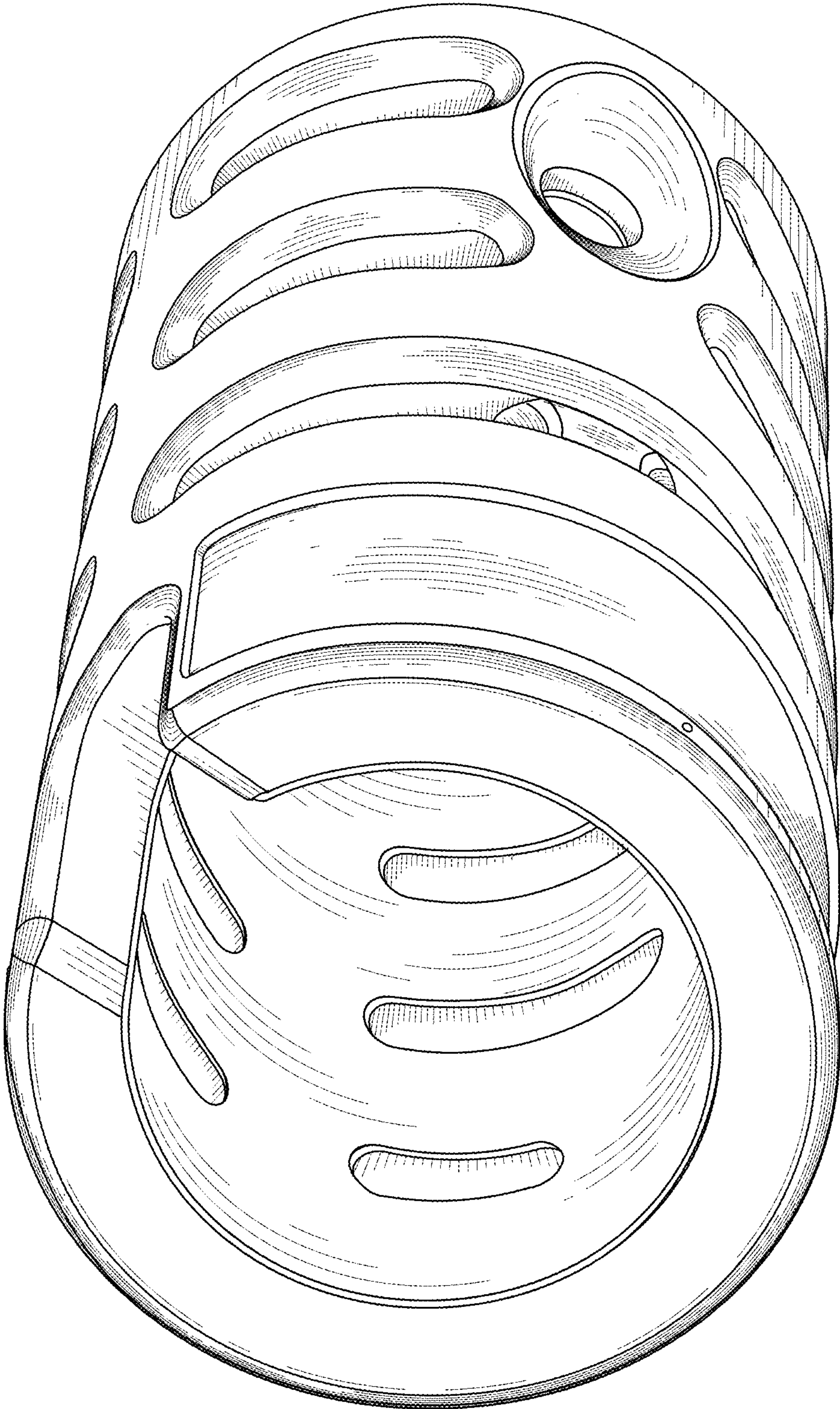


FIG. 2

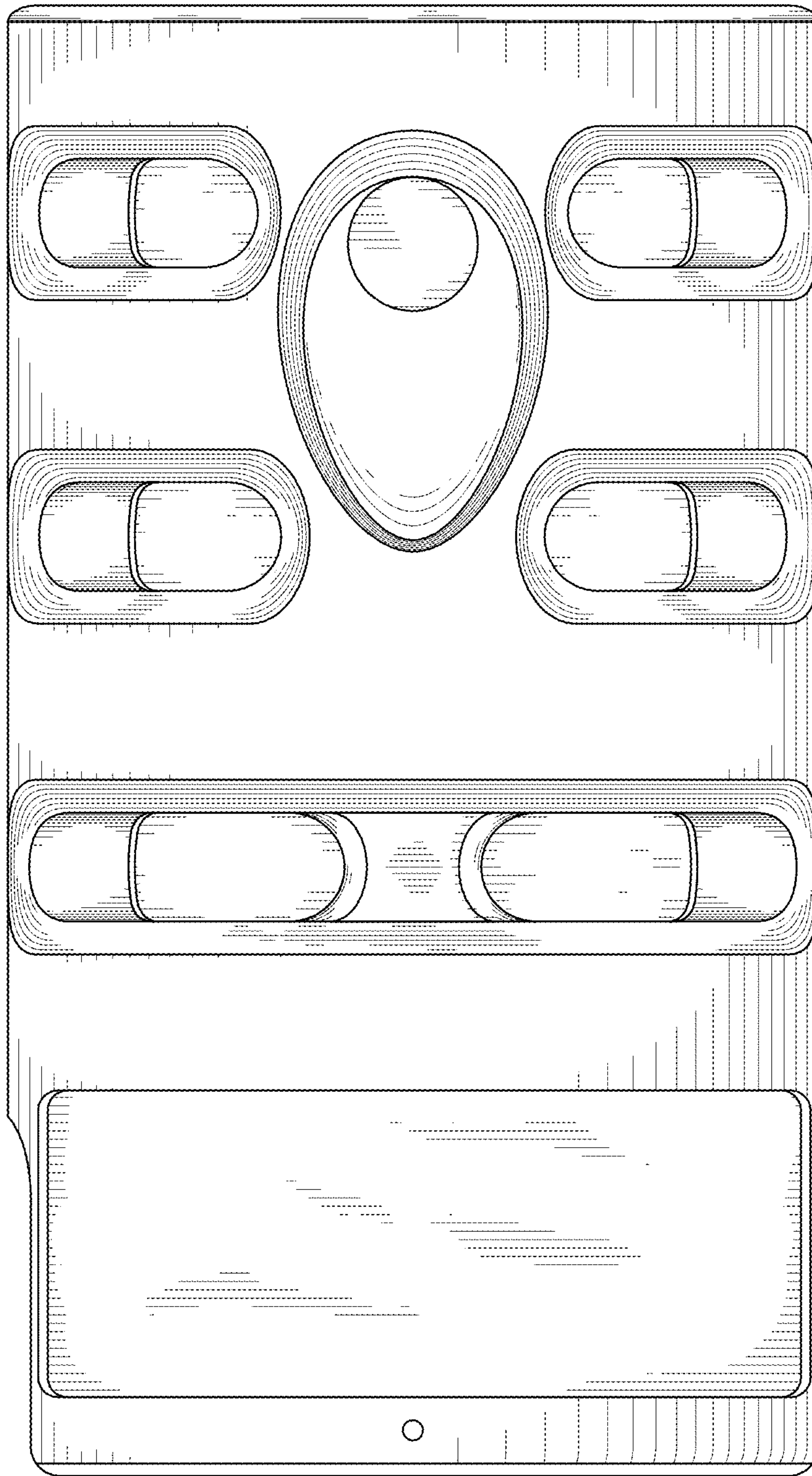


FIG. 3

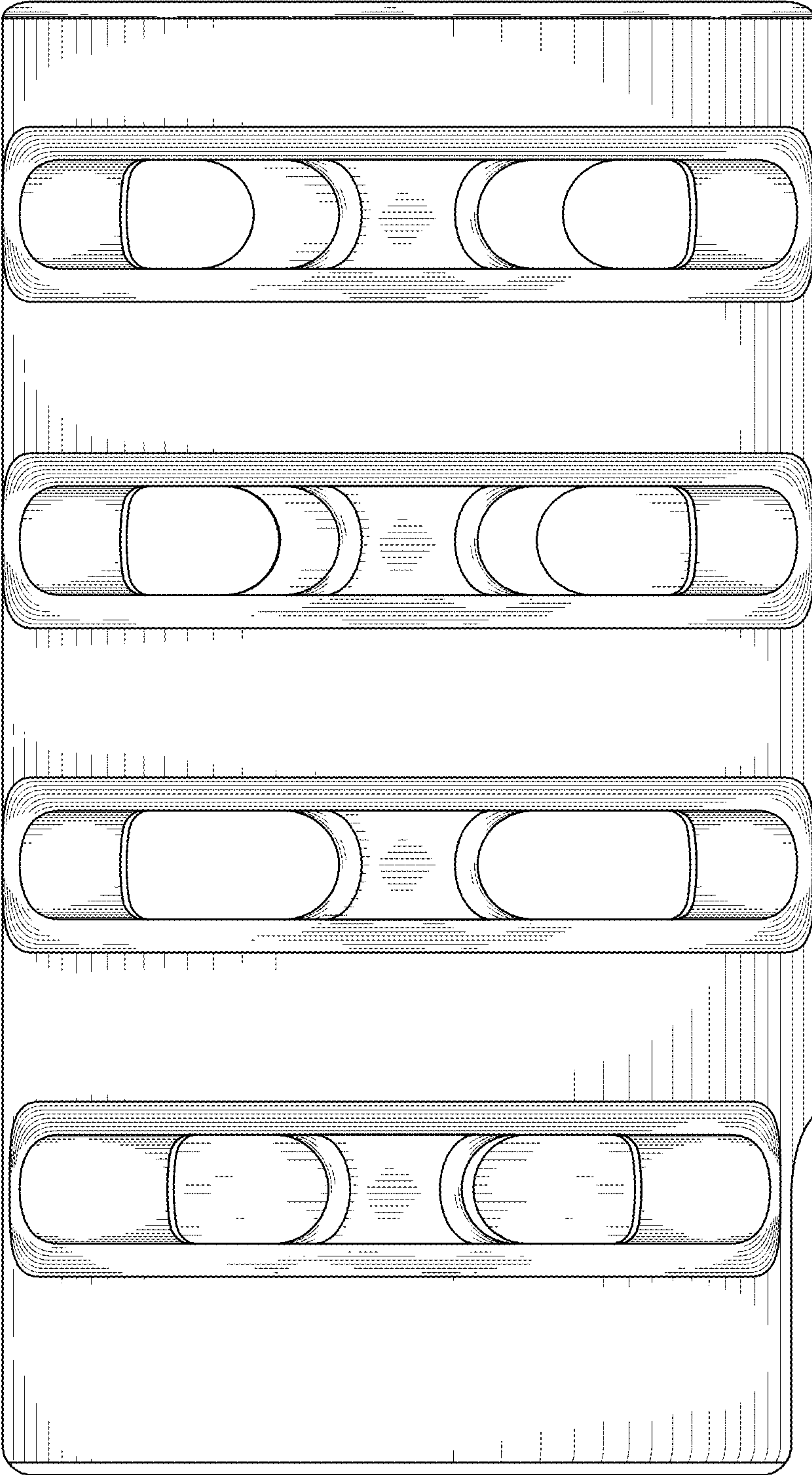


FIG. 4

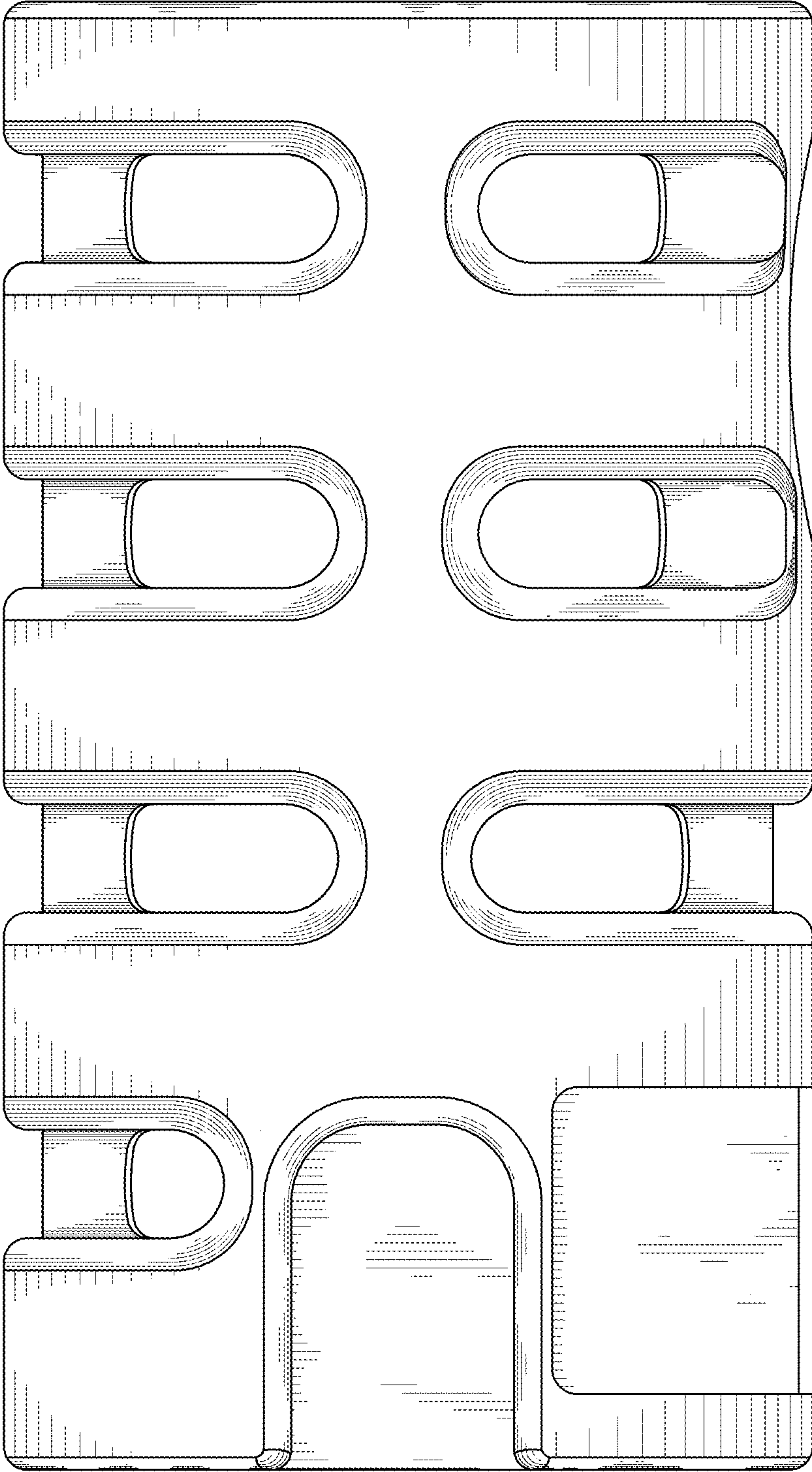


FIG. 5

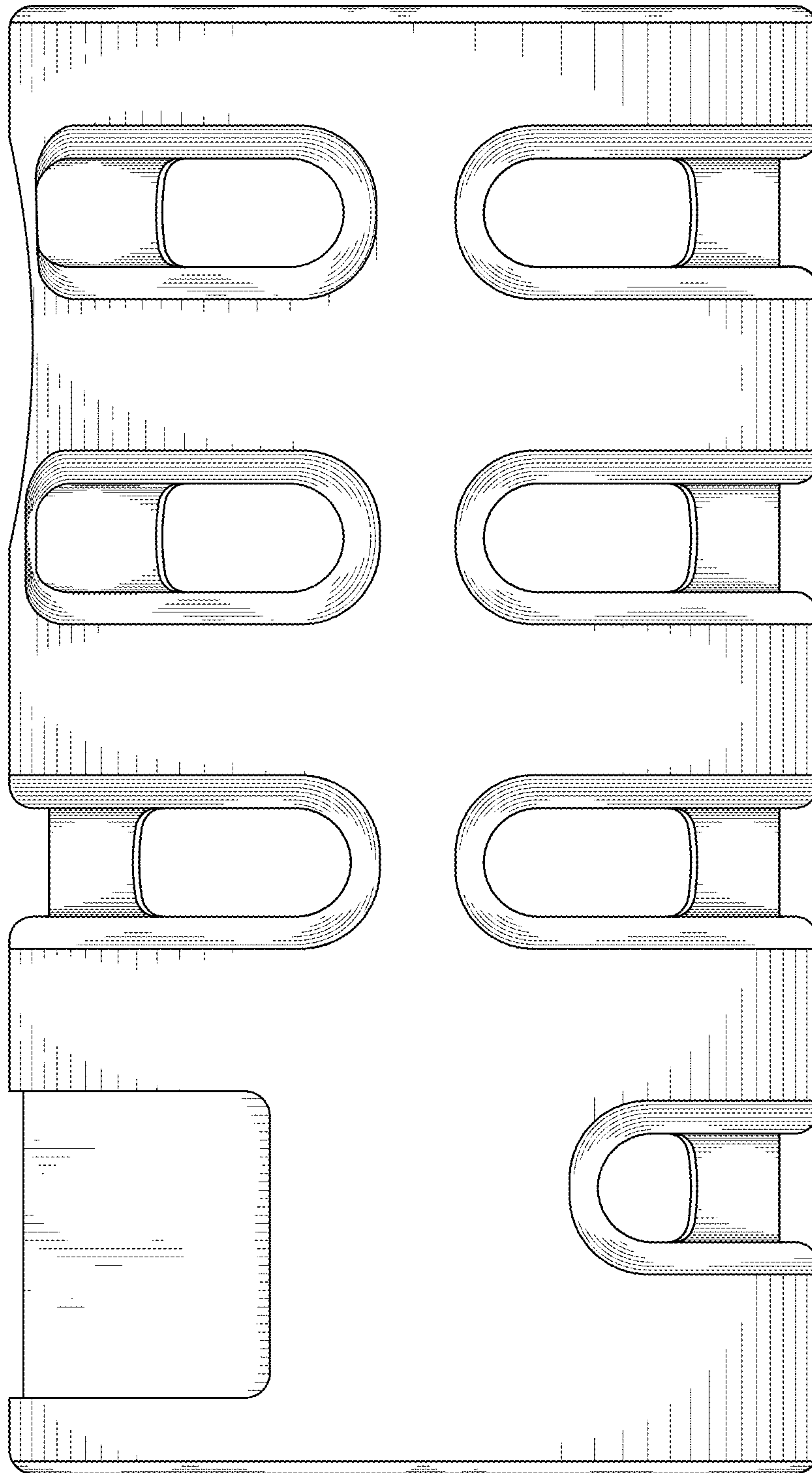


FIG. 6

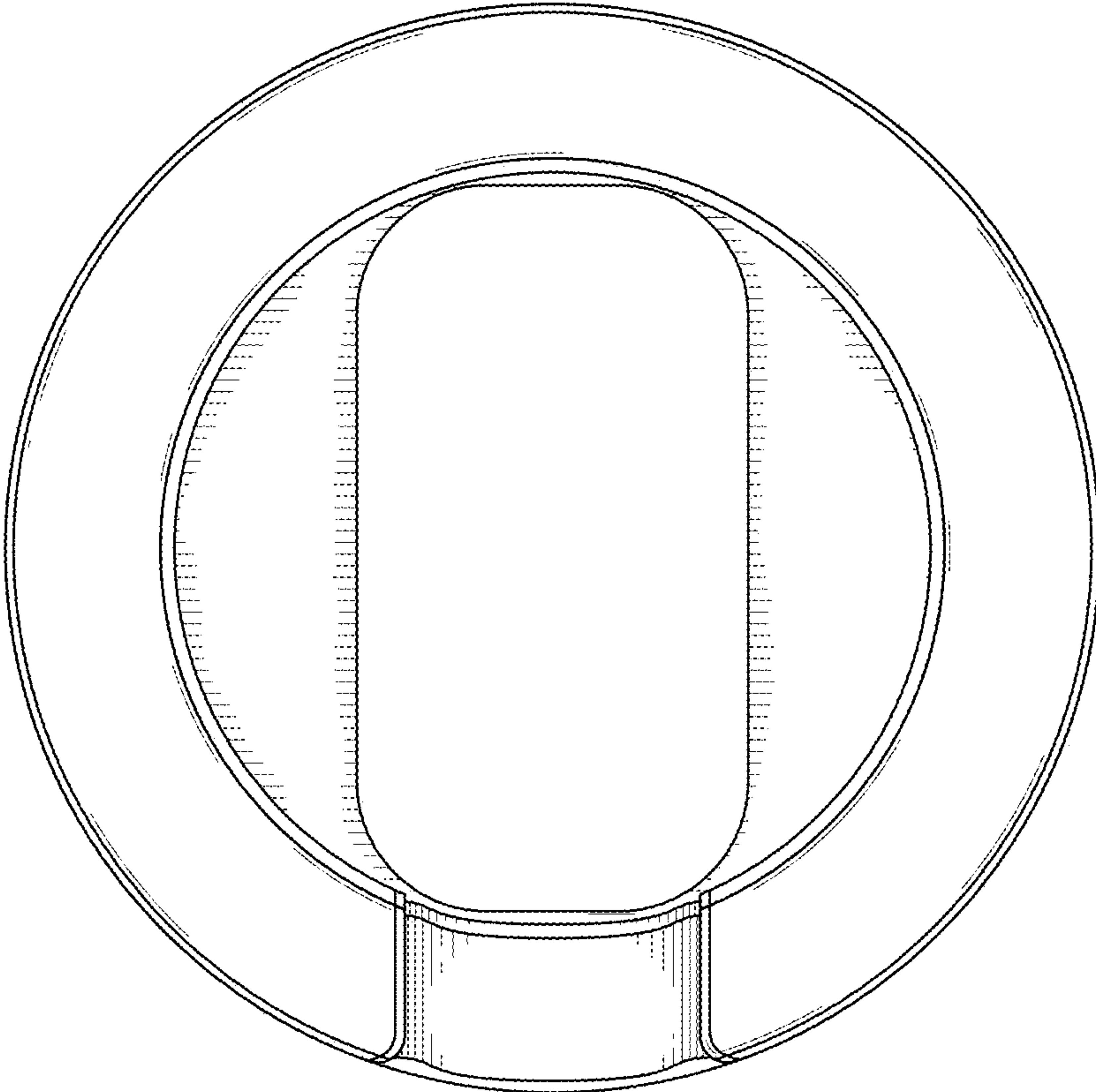


FIG. 8

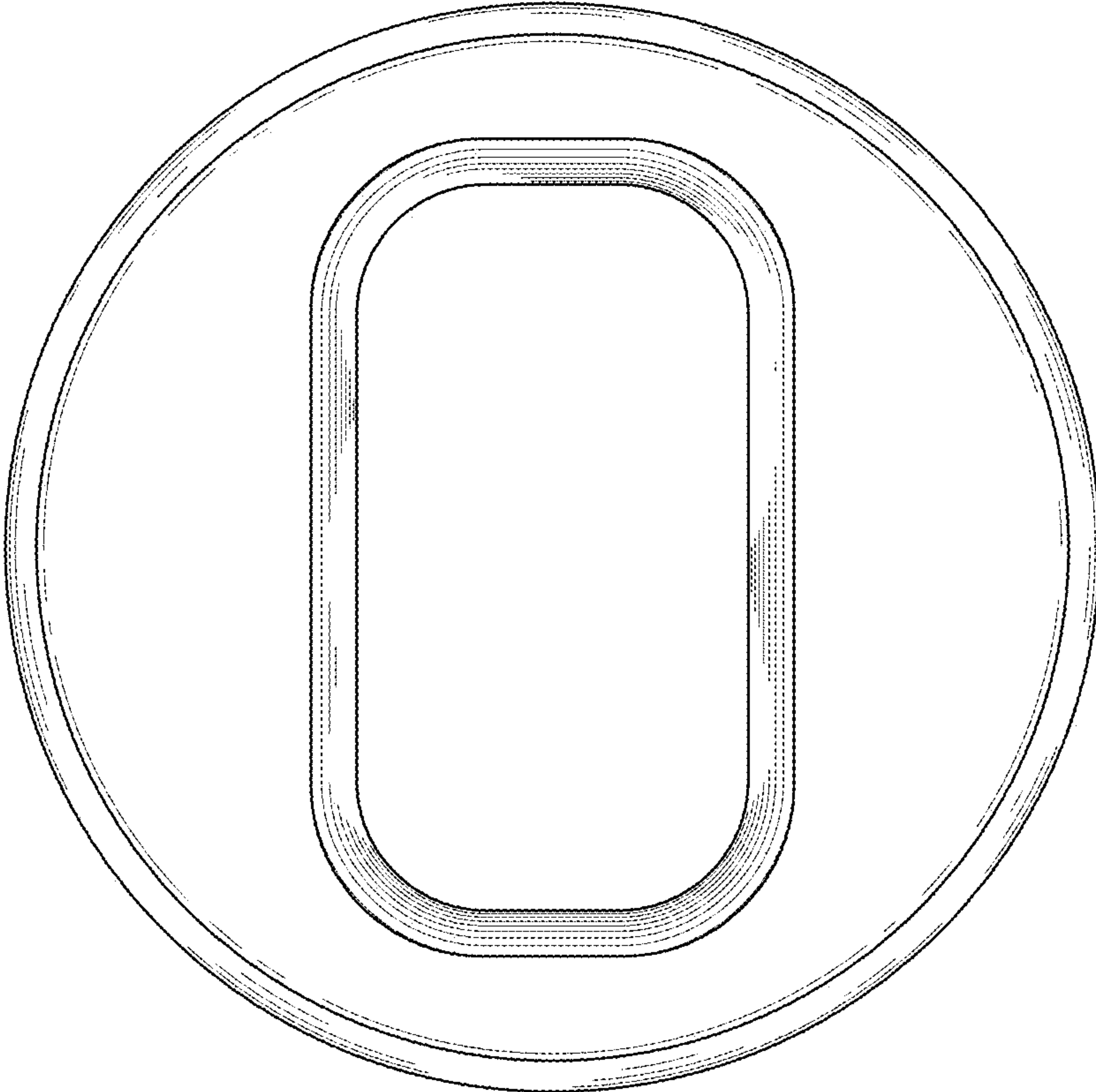


FIG. 7