



US0D1046229S

(12) **United States Design Patent** (10) **Patent No.:** **US D1,046,229 S**  
**Lalli et al.** (45) **Date of Patent:** **\*\* Oct. 8, 2024**

(54) **MEDICAL DEVICE LIGHTING MODULE**  
(71) Applicant: **CEEK Women’s Health, Inc.**,  
Portland, OR (US)  
(72) Inventors: **Maria Lalli**, Portland, OR (US);  
**Wesley Hare**, Portland, OR (US); **Katie Lee**,  
Portland, OR (US); **Christian Freissler**,  
Portland, OR (US); **Chase Thompson**,  
Portland, OR (US); **Jia Lu Ni**, Portland,  
OR (US)  
(73) Assignee: **CEEK WOMEN’S HEALTH, INC.**,  
Portland, OR (US)

(\*\*) Term: **15 Years**  
(21) Appl. No.: **29/852,686**  
(22) Filed: **Sep. 8, 2022**

**Related U.S. Application Data**

(63) Continuation of application No. 29/690,667, filed on  
May 9, 2019, now Pat. No. Des. 963,908, which is a  
continuation-in-part of application No. 15/468,934,  
filed on Mar. 24, 2017, now Pat. No. 10,687,699.

(51) **LOC (14) Cl.** ..... **26-02**  
(52) **U.S. Cl.**  
USPC ..... **D26/37; D24/133**

(58) **Field of Classification Search**  
USPC ..... D26/24, 37–51, 60–66, 113, 118–120,  
D26/138; D24/111, 127, 133, 135, 137,  
D24/141, 152, 156, 176  
CPC ..... A61B 1/32; A61B 1/0669; A61B 1/00105;  
A61B 1/0676; A61B 1/07; A61B 1/31;  
A61B 17/14; A61B 1/00142; A61B 1/06;  
A61B 1/227; A61B 1/303; Y10S 362/804;  
F21W 2131/20

See application file for complete search history.

(56) **References Cited**

**U.S. PATENT DOCUMENTS**

D309,663 S \* 7/1990 Robinson ..... D24/111  
D329,899 S \* 9/1992 Rihani ..... D24/139

D345,796 S \* 4/1994 Pernicka ..... D24/133  
5,465,709 A \* 11/1995 Dickie ..... A61B 1/32  
600/223  
D634,014 S \* 3/2011 Noui ..... D24/176  
D712,035 S \* 8/2014 Ting ..... D24/152  
D812,746 S \* 3/2018 Umemura ..... D24/133  
D838,022 S \* 1/2019 Leegate ..... D26/39  
D864,450 S \* 10/2019 Chen ..... D26/42

(Continued)

**OTHER PUBLICATIONS**

Nella VuSleeve and VuLight. By Notable Commercial Equipment  
Award. Dated Jun. 12, 2019. Found online [Dec. 23, 2021]. [https://  
designawards.core77.com/Commercial-Equipment/85825/Nella-  
VuSleeve-and-VuLight](https://designawards.core77.com/Commercial-Equipment/85825/Nella-VuSleeve-and-VuLight) (Year: 2019).\*

*Primary Examiner* — Marissa J. Cash  
*Assistant Examiner* — William B Melliar

(74) *Attorney, Agent, or Firm* — Mintz Levin Cohn Ferris  
Glovsky and Popeo, P.C.

(57) **CLAIM**

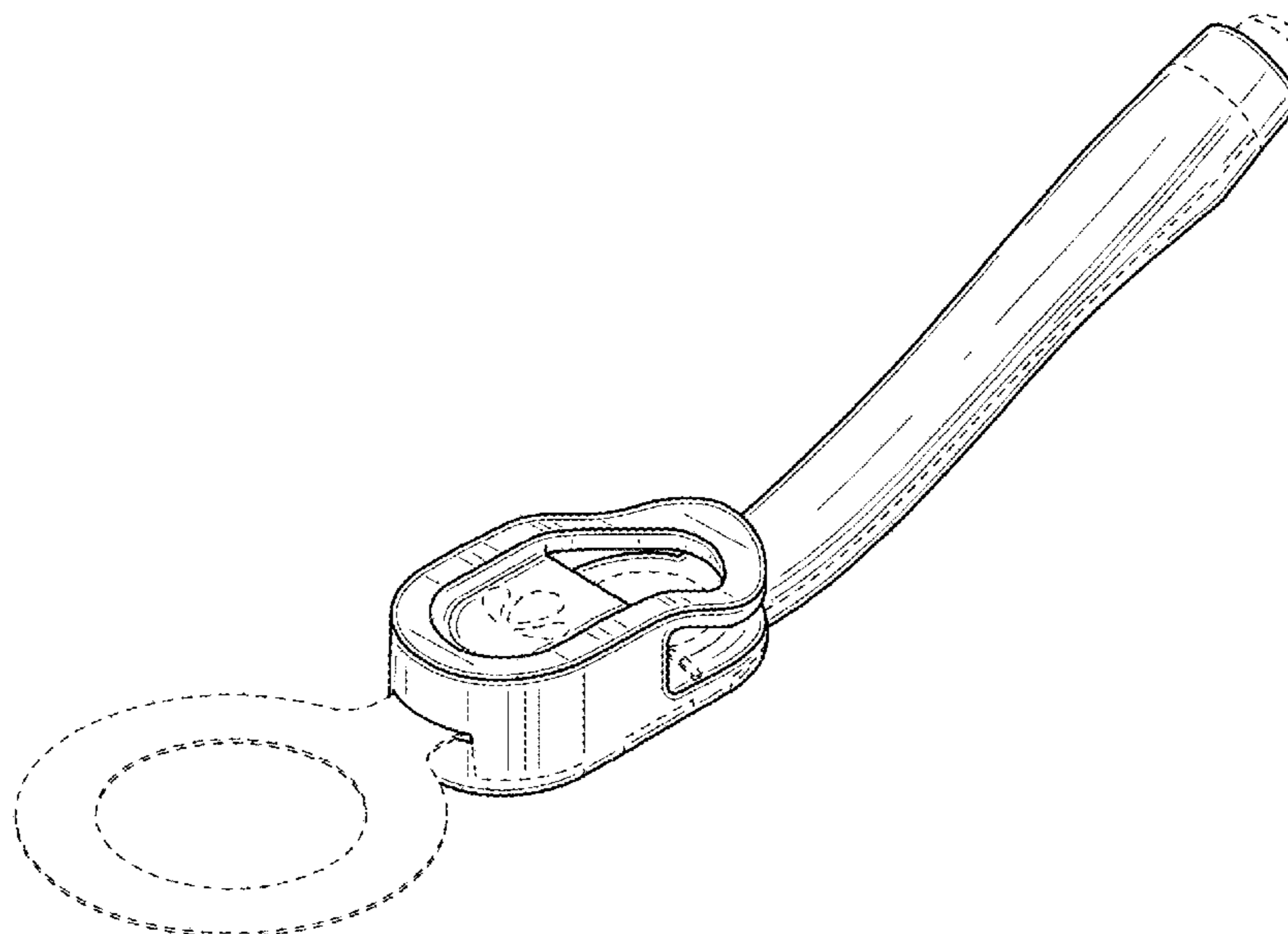
The ornamental design for a medical device lighting mod-  
ule, as shown and described.

**DESCRIPTION**

FIG. 1 is a front, right side, and top perspective view of a  
medical device lighting module of our design;  
FIG. 2 is a top view thereof;  
FIG. 3 is a bottom view thereof;  
FIG. 4 is a right side view thereof;  
FIG. 5 is a left side view thereof;  
FIG. 6 is a front view thereof; and,  
FIG. 7 is a rear view thereof.

The broken lines shown in the drawings depict portions of  
the medical device lighting module that form no part of the  
claimed design.

**1 Claim, 4 Drawing Sheets**



(56)

**References Cited**

U.S. PATENT DOCUMENTS

D879,291	S	*	3/2020	Elazar	.....	D24/139
D933,208	S	*	10/2021	Wirth	.....	D24/133
D952,876	S	*	5/2022	Emerson	.....	D24/209
D963,908	S	*	9/2022	Lalli	.....	D26/37
2016/0038012	A1	*	2/2016	McMahon	.....	A61B 1/0669
						600/210
2018/0263480	A1	*	9/2018	Lalli	.....	A61B 1/303

\* cited by examiner

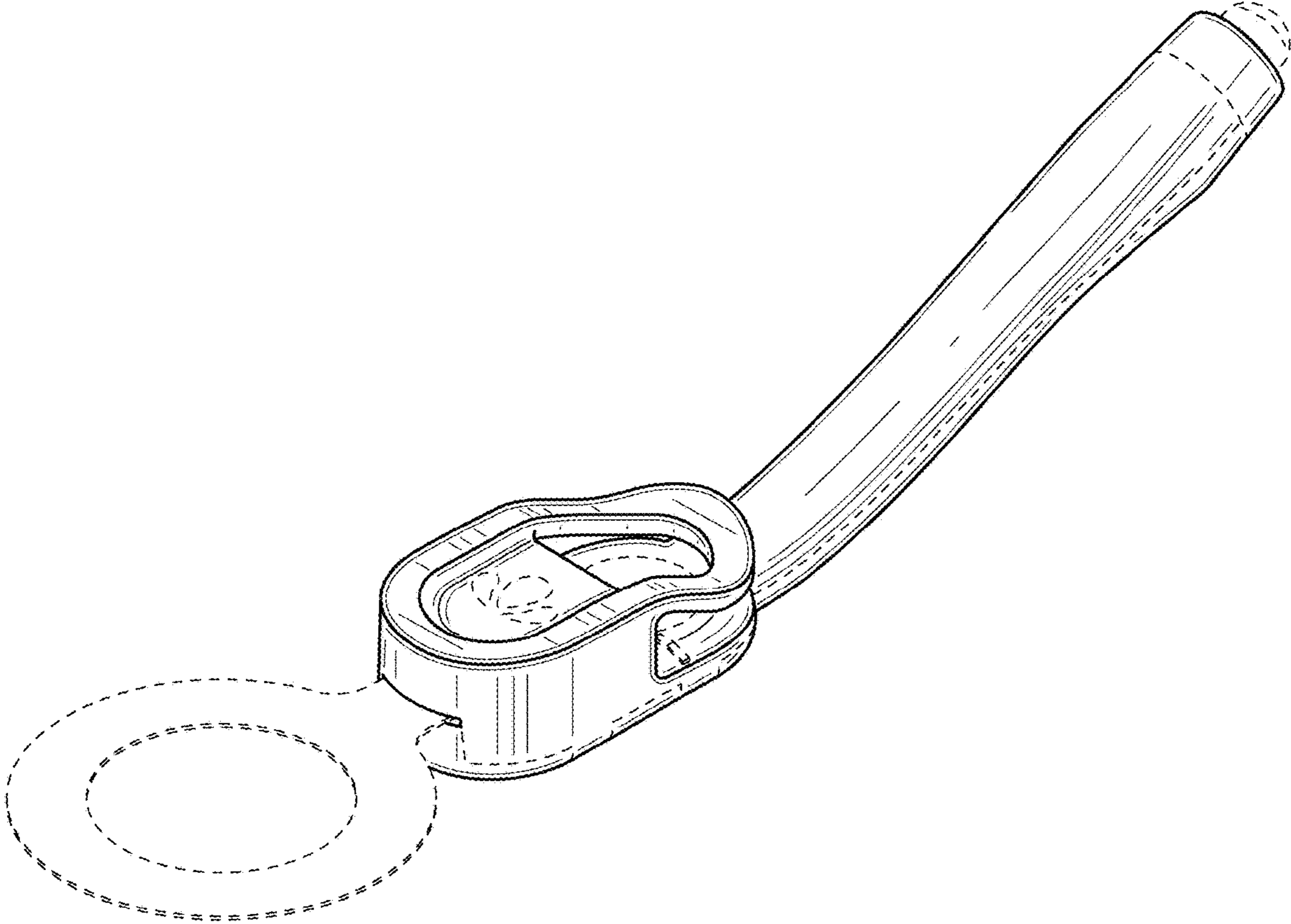


FIG. 1

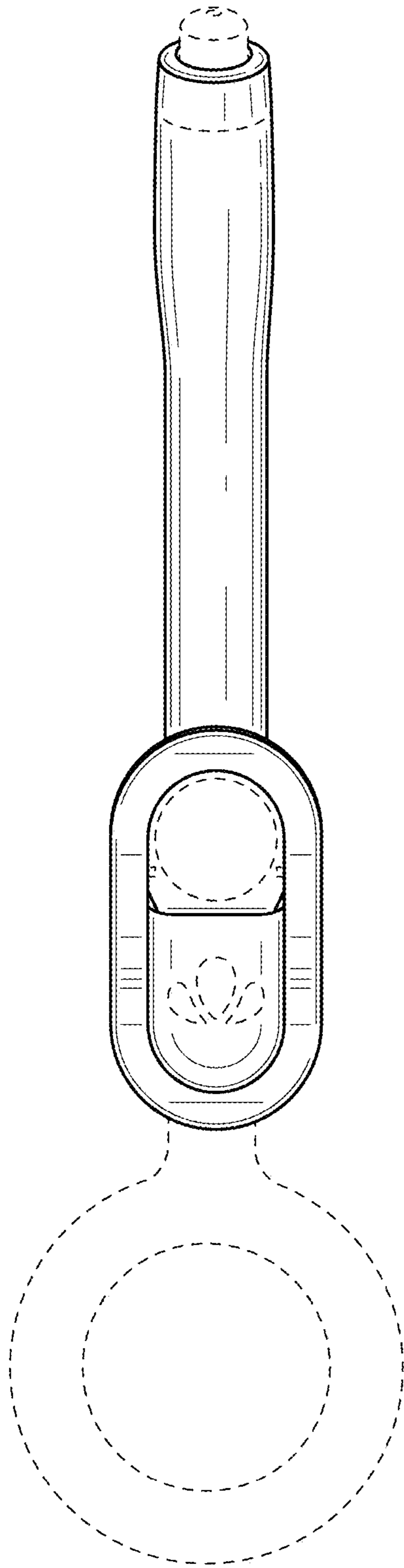


FIG. 2

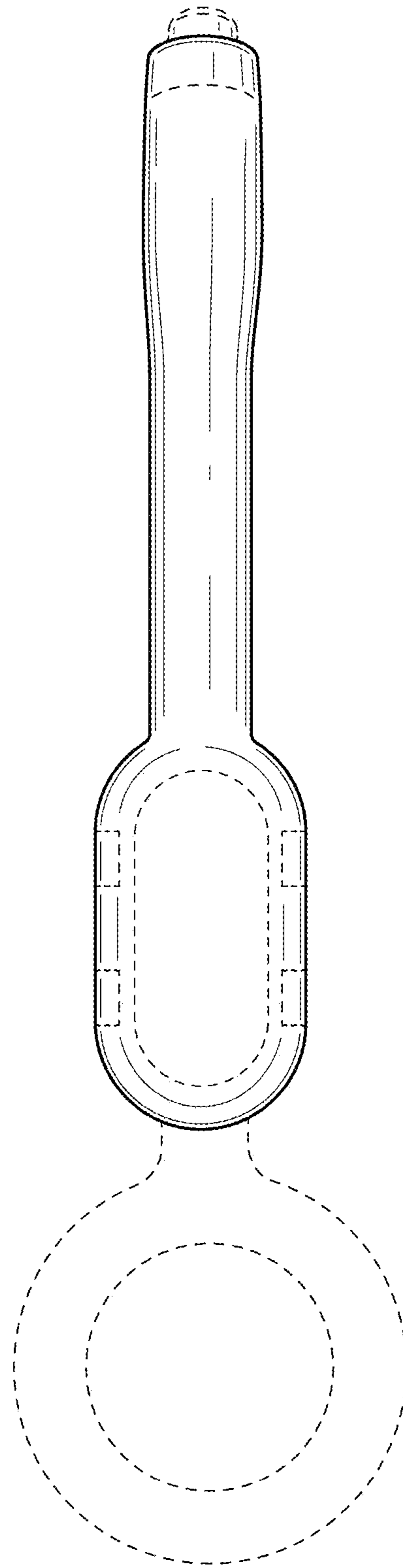


FIG. 3

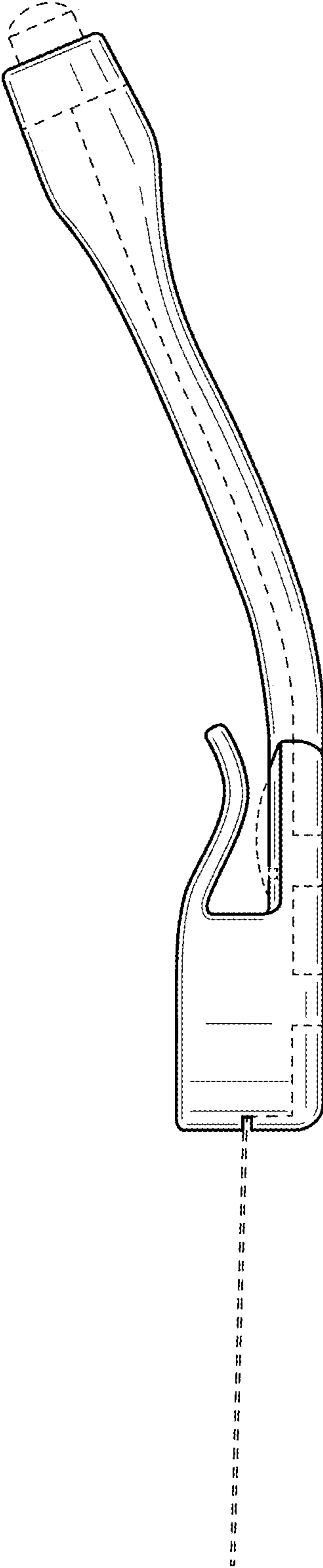


FIG. 4

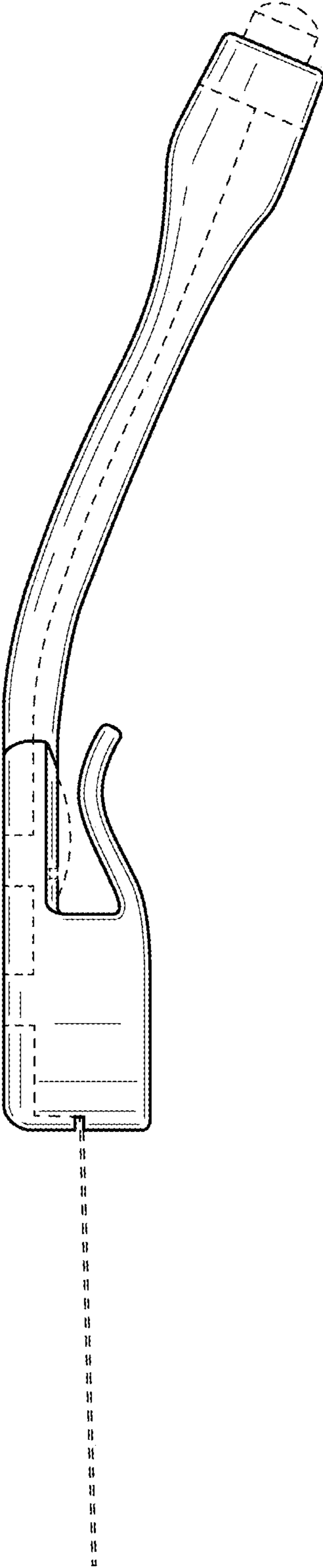


FIG. 5

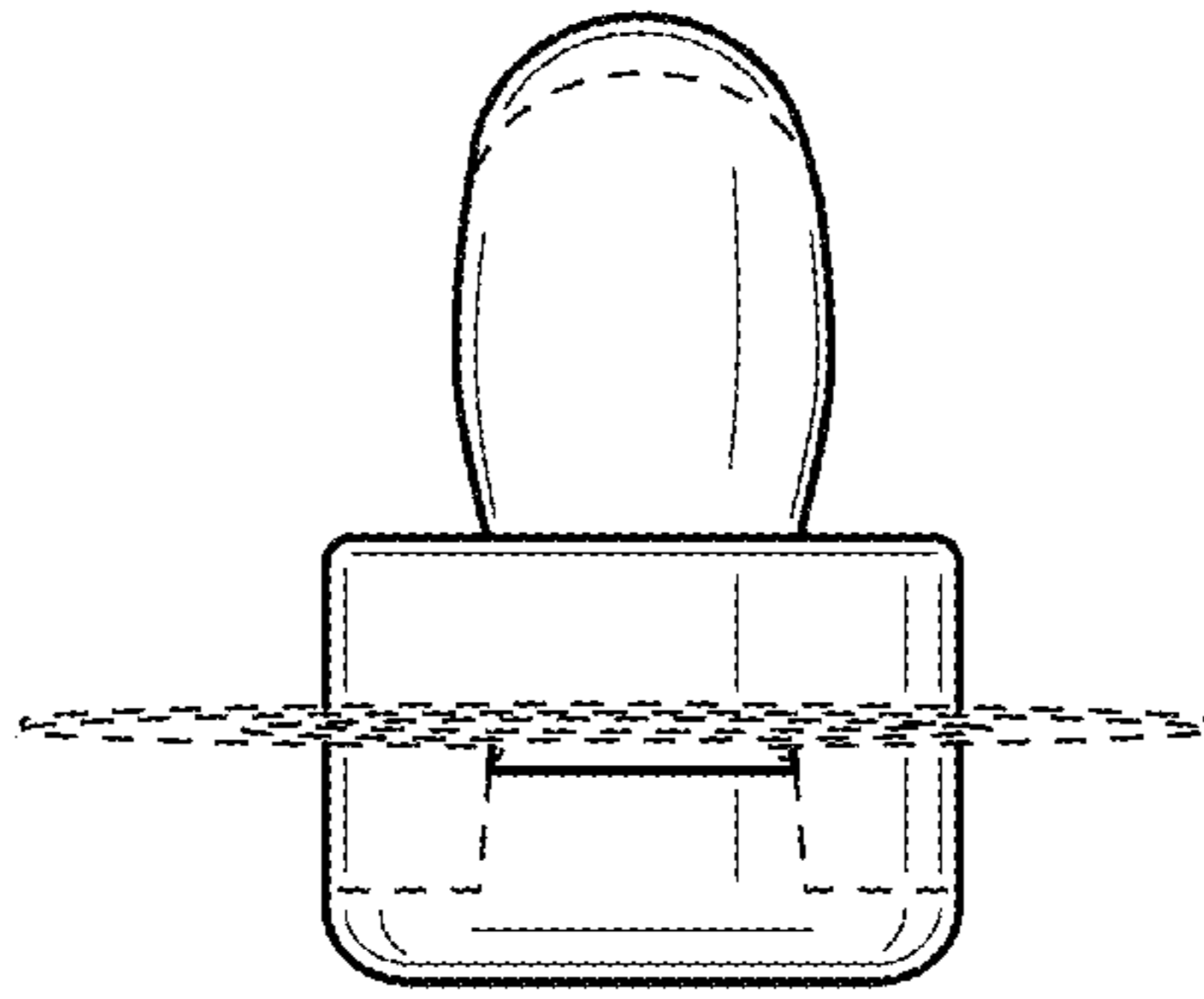


FIG. 6

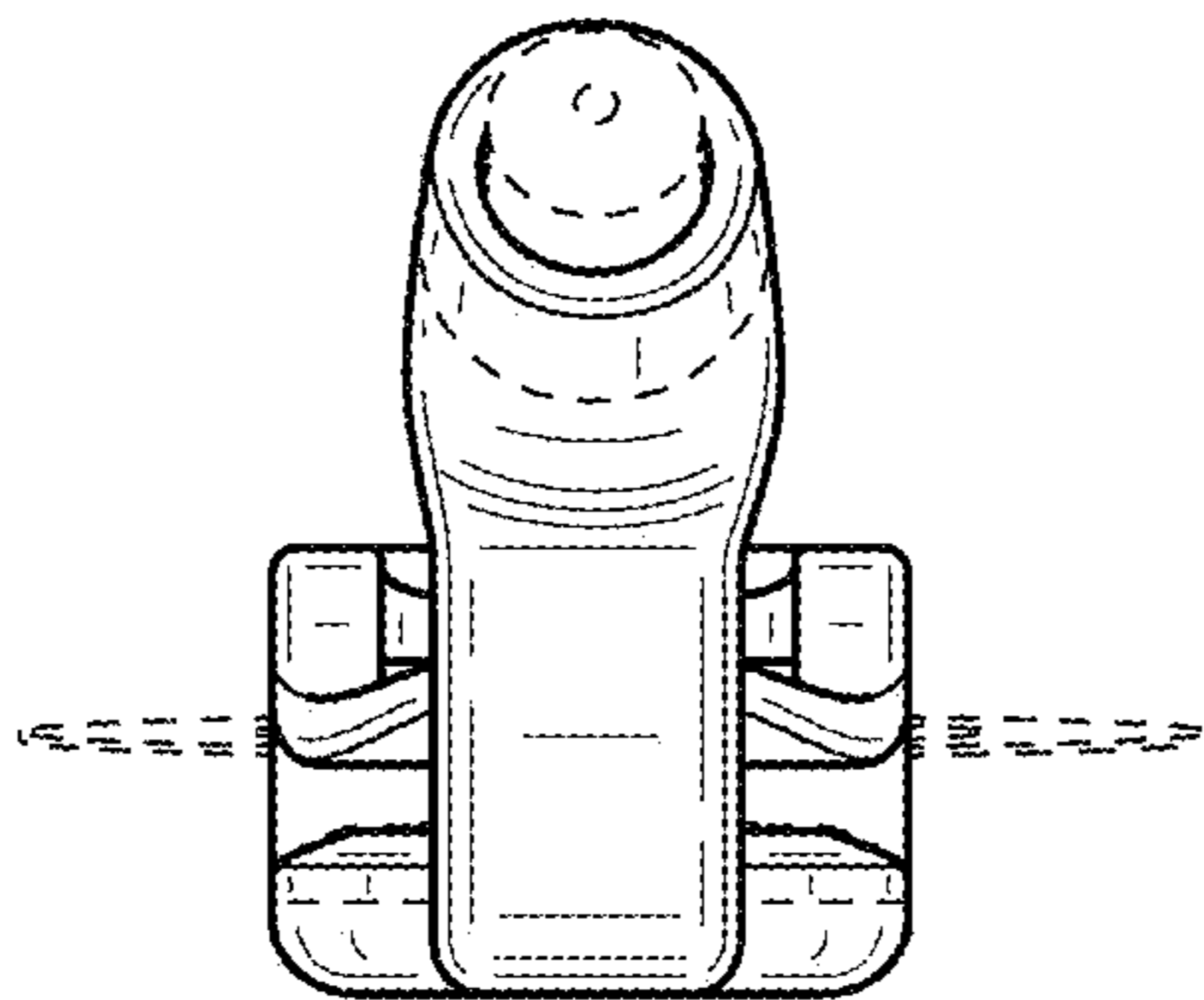


FIG. 7