



US0D1046222S

(12) **United States Design Patent** (10) **Patent No.:** **US D1,046,222 S**  
**Russell-Smith** (45) **Date of Patent:** **\*\* Oct. 8, 2024**

(54) **VEHICLE LAMP**  
(71) Applicant: **Lazer Lamps Ltd**, Harlow (GB)  
(72) Inventor: **Benjamin Charles Russell-Smith**,  
Bishop's Stortford (GB)  
(73) Assignee: **Lazer Lamps Ltd.**, Harlow (GB)  
(\*\*) Term: **15 Years**  
(21) Appl. No.: **29/866,978**  
(22) Filed: **Oct. 4, 2022**  
(51) **LOC (14) Cl.** ..... **26-06**  
(52) **U.S. Cl.**  
USPC ..... **D26/28**  
(58) **Field of Classification Search**  
USPC ..... D26/28, 29, 30, 31, 32, 33, 34, 35, 36,  
D26/139; D10/114.4  
CPC ..... F21W 2103/35; F21W 2103/40; F21W  
2102/17; F21W 2102/30; F21W 2103/00;  
F21W 2103/55; F21W 2104/00; F21W  
2107/17; F21W 2107/13; F21S 41/00;  
F21S 41/141; F21S 41/162; F21S 41/18;  
F21S 41/20; F21S 41/33; F21S 41/36;  
F21S 41/60; F21S 43/00  
See application file for complete search history.

(56) **References Cited**  
U.S. PATENT DOCUMENTS  
D799,081 S \* 10/2017 Lin ..... D26/28  
D807,542 S \* 1/2018 Packard ..... D26/28  
D858,816 S \* 9/2019 Ko ..... D26/28  
D881,428 S \* 4/2020 Ko ..... D26/28

D888,299 S \* 6/2020 Grabowski ..... D26/31  
D893,068 S \* 8/2020 Ko ..... D26/31  
D897,015 S \* 9/2020 Gong ..... D26/31  
D953,587 S \* 5/2022 Leang ..... D26/35  
D962,502 S \* 8/2022 Yang ..... D26/28  
D989,997 S \* 6/2023 Ko ..... D26/28  
D1,006,273 S \* 11/2023 Finocchiaro ..... D26/35  
D1,007,719 S \* 12/2023 Seppänen ..... D26/28  
D1,013,914 S \* 2/2024 Ko ..... D26/28

**OTHER PUBLICATIONS**

Triple-R, Carbon-6 (GEN3), retrieved from internet, retrieved on Oct. 1, 2022, <URL: <https://www.triple-r-lights.com/carbon-6-gen3.html>>.

\* cited by examiner

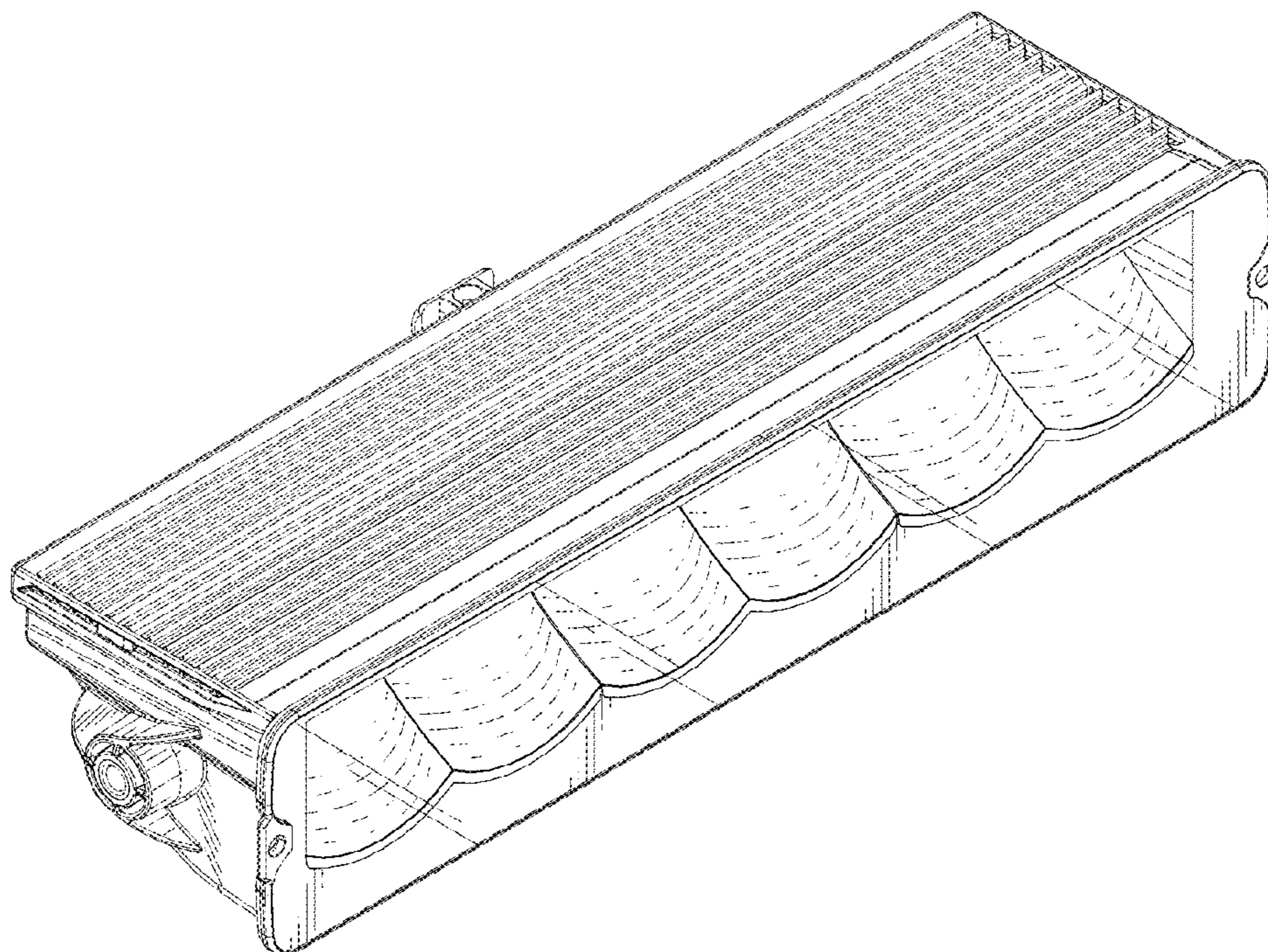
*Primary Examiner* — Angela J Lee

(57) **CLAIM**  
The ornamental design for a vehicle lamp, as shown and described.

**DESCRIPTION**

FIG. 1 is a top front perspective view of a vehicle lamp showing my new design;  
FIG. 2 is a bottom rear perspective view thereof;  
FIG. 3 is a front elevational view thereof;  
FIG. 4 is a rear elevational view thereof;  
FIG. 5 is a top plan view thereof;  
FIG. 6 is a bottom plan view thereof;  
FIG. 7 is an enlarged right elevational view thereof;  
FIG. 8 is an enlarged left elevational view thereof;  
FIG. 9 is a bottom front perspective view thereof; and,  
FIG. 10 is a top rear perspective view thereof.

**1 Claim, 10 Drawing Sheets**



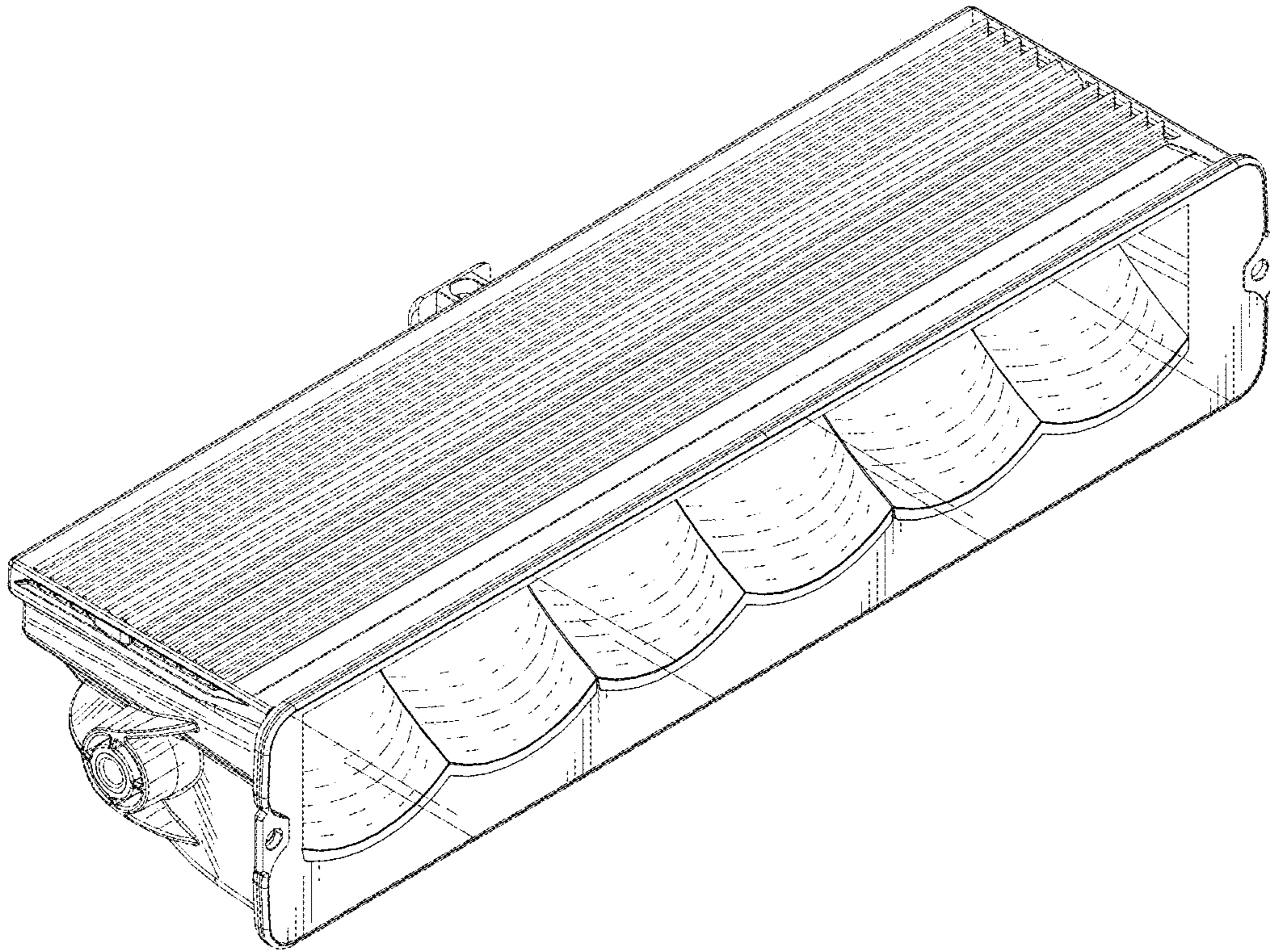


FIG. 1

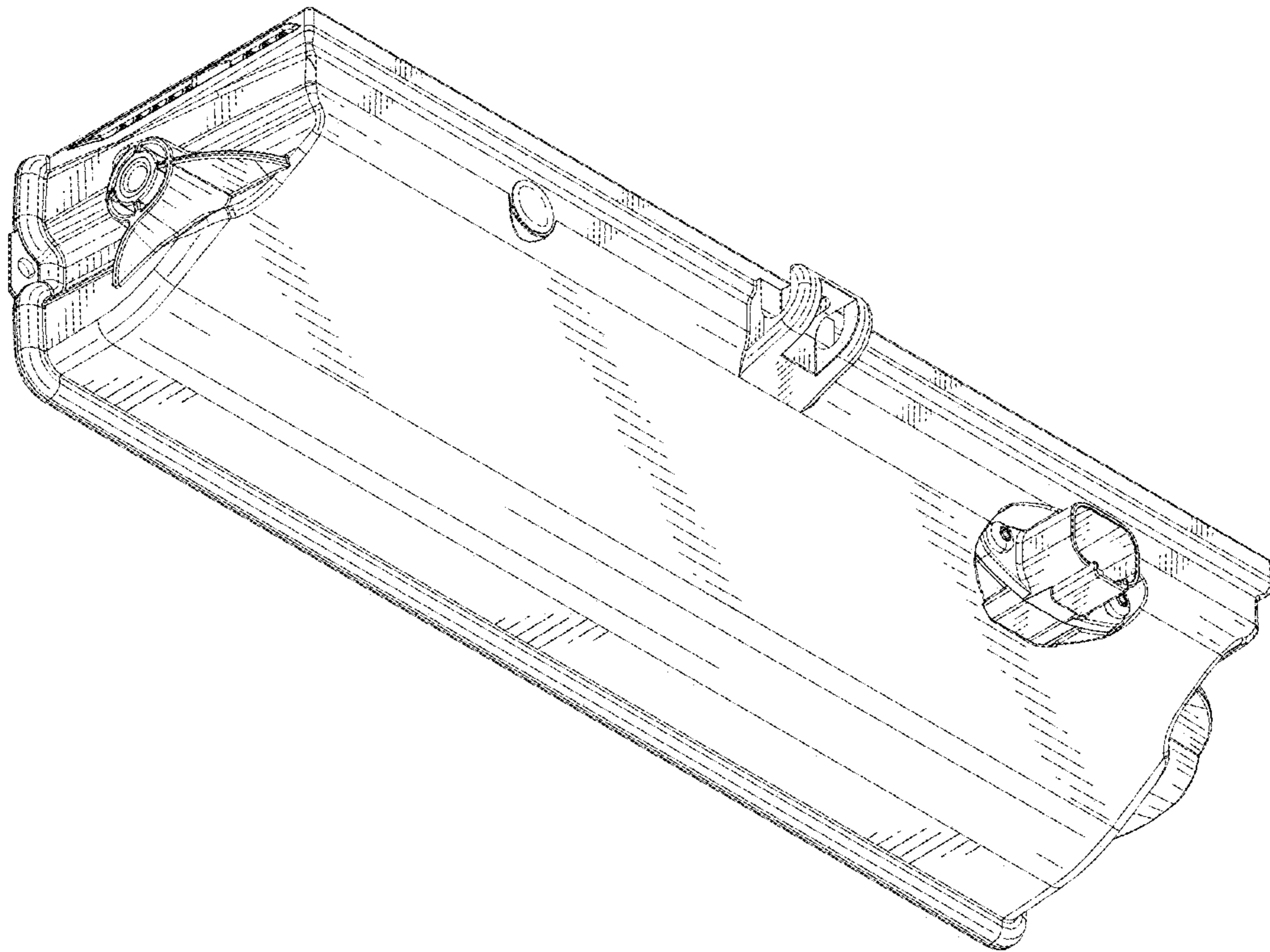


FIG. 2

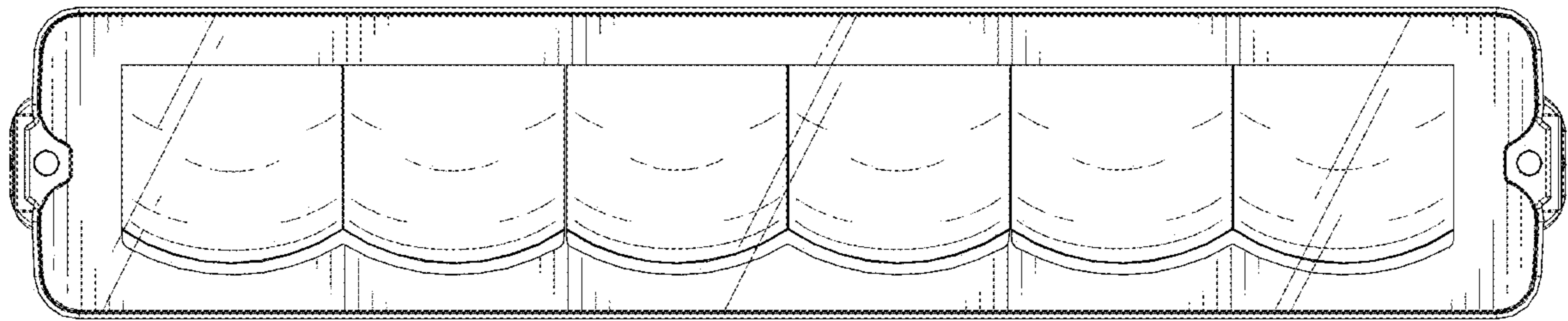


FIG. 3

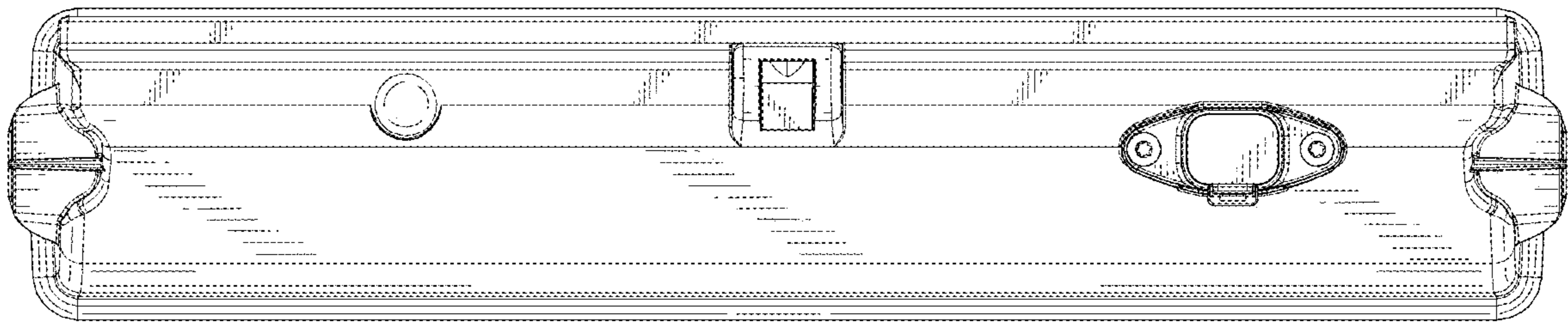


FIG. 4

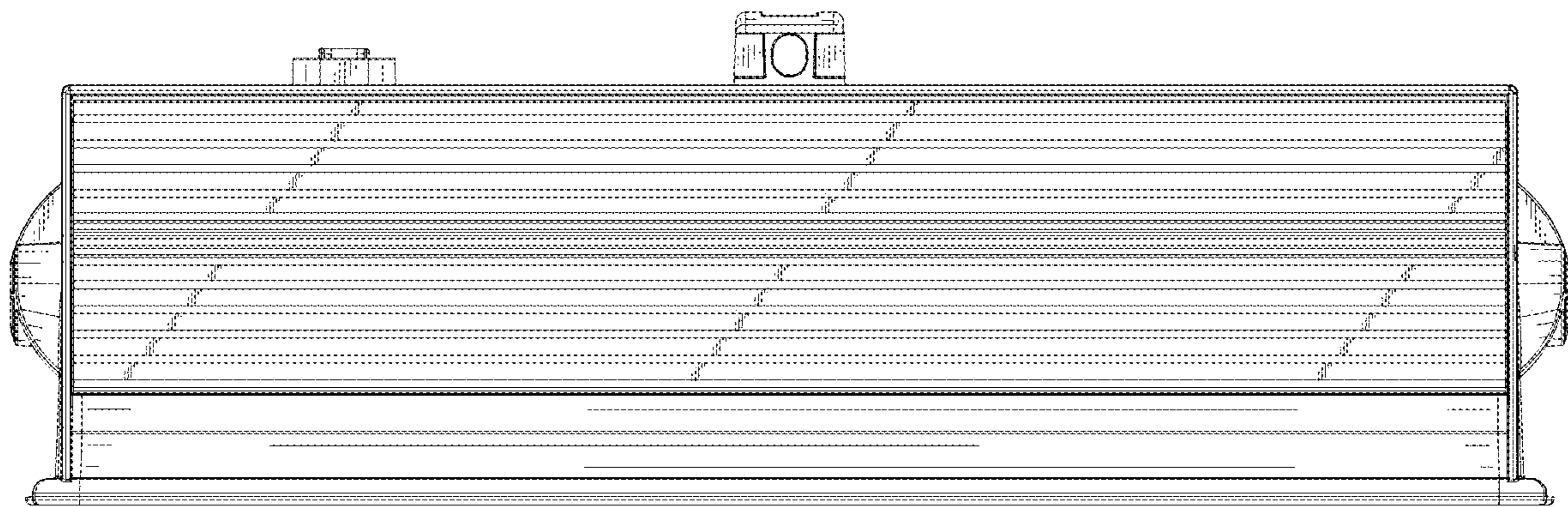


FIG. 5

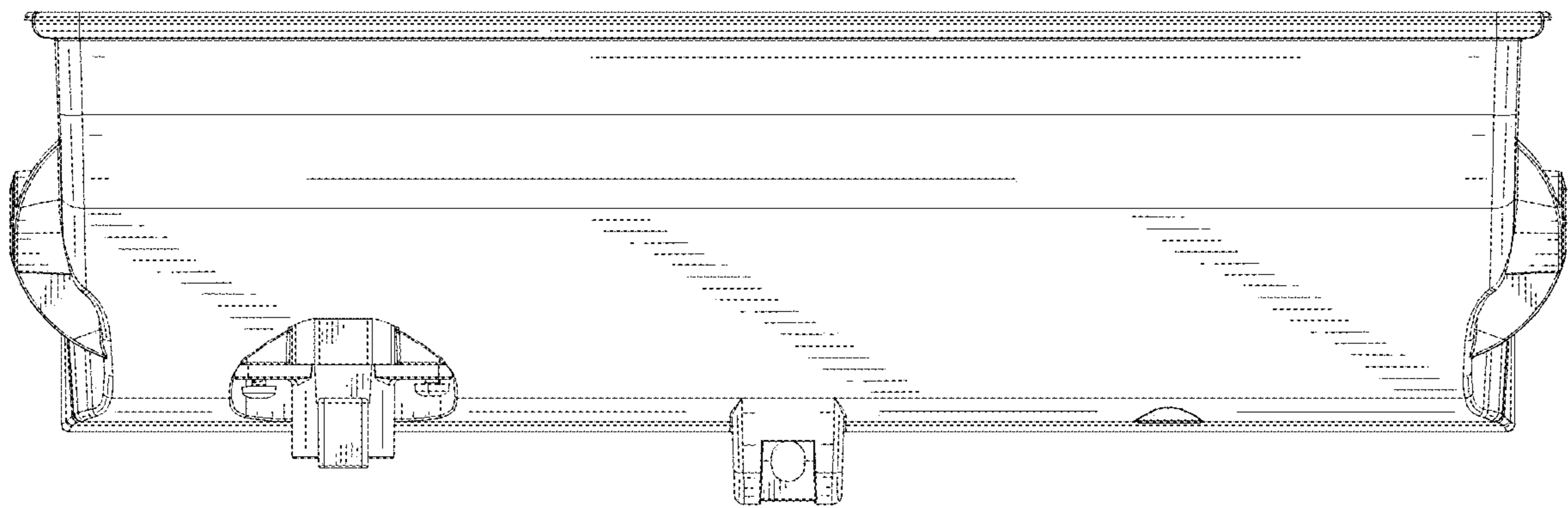


FIG. 6

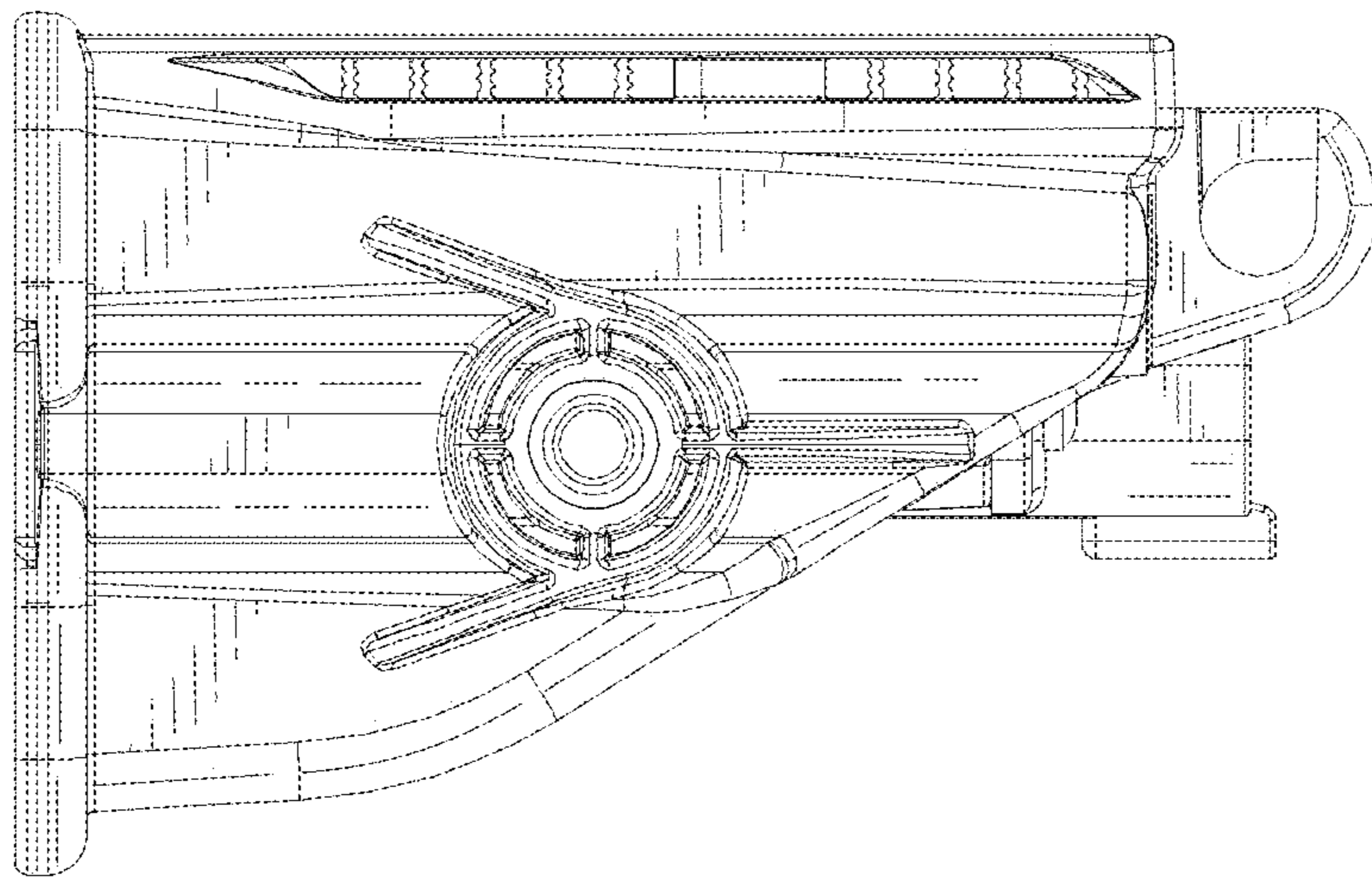


FIG. 7



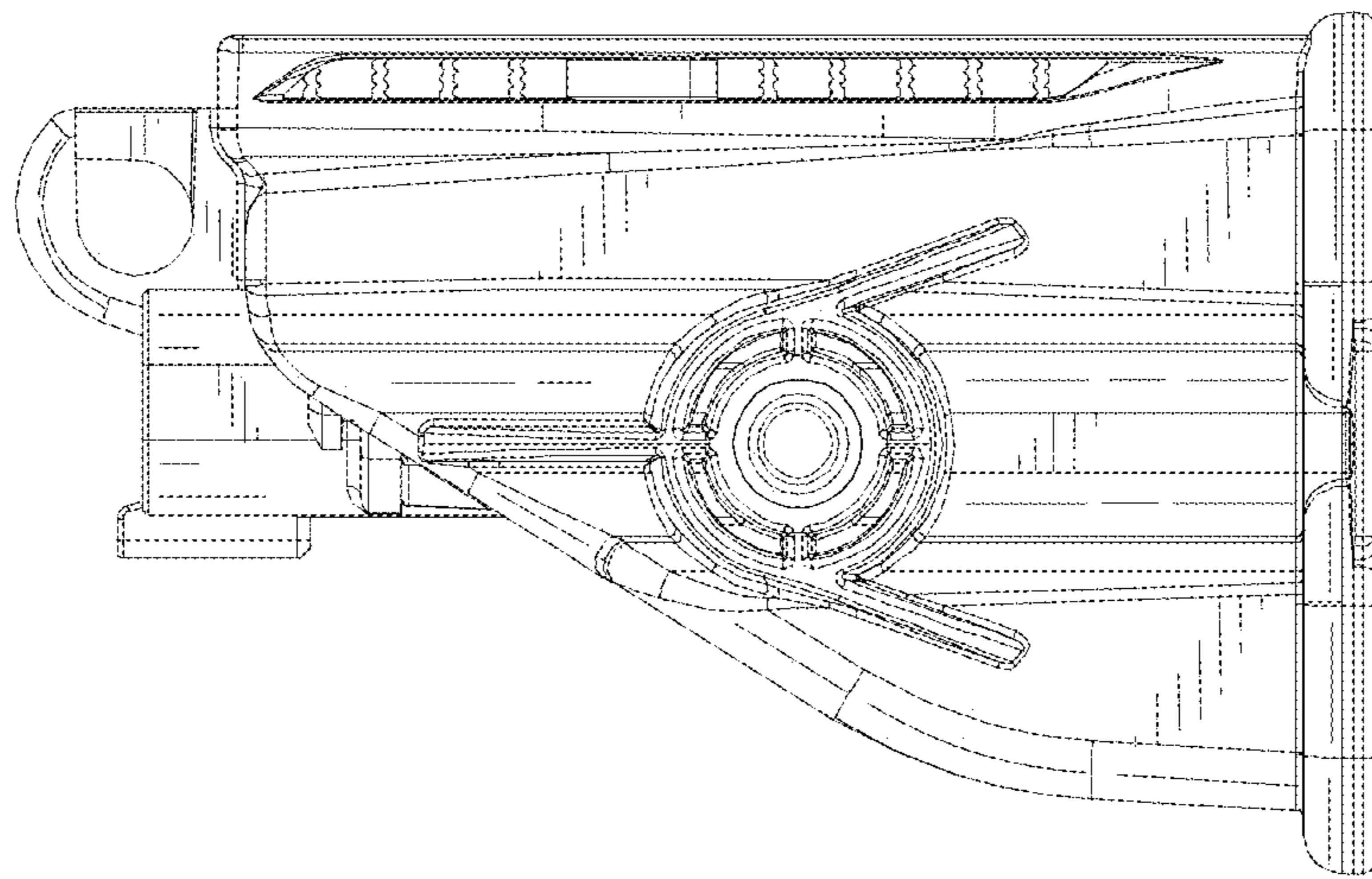


FIG. 8

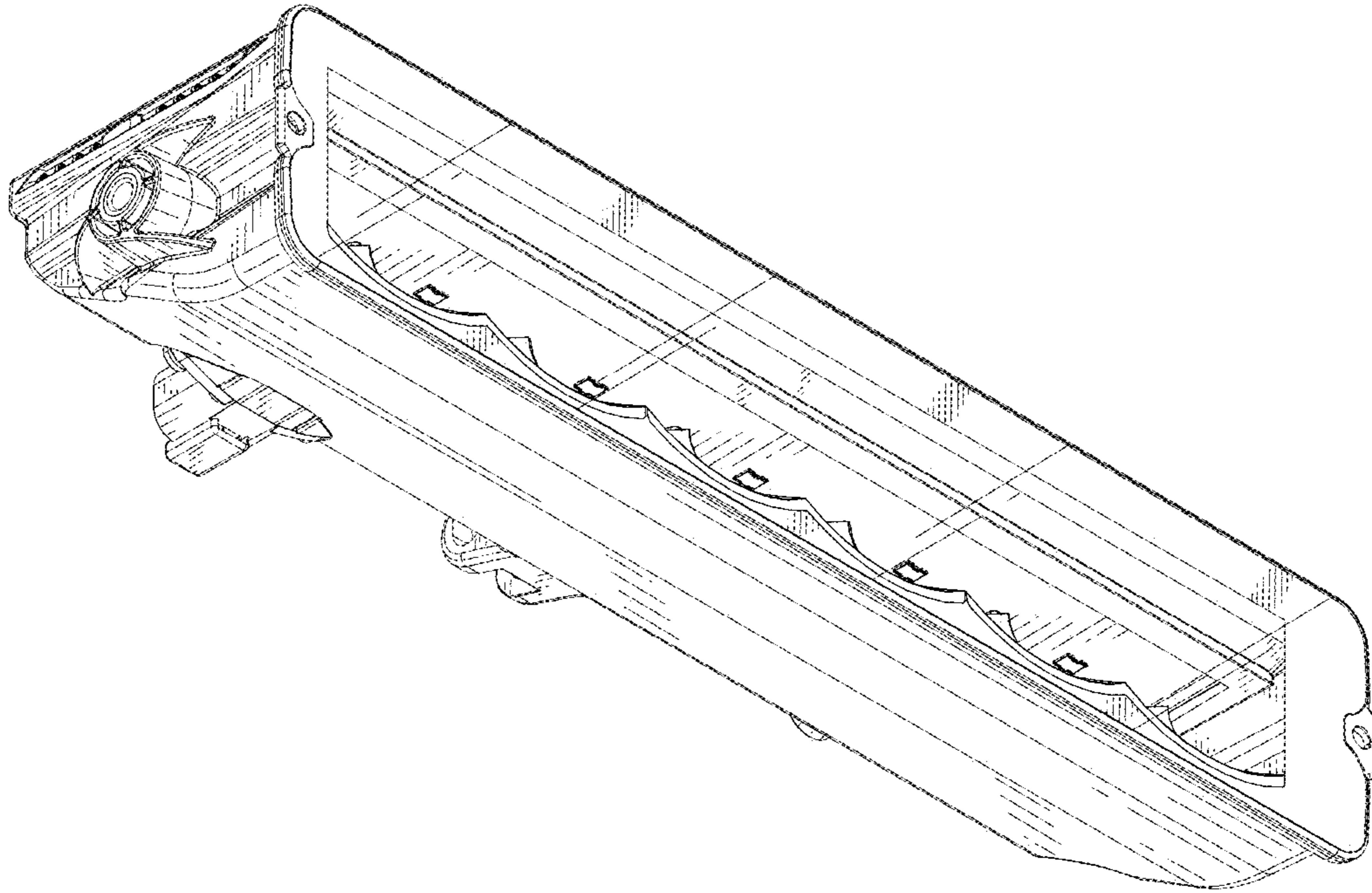


FIG. 9

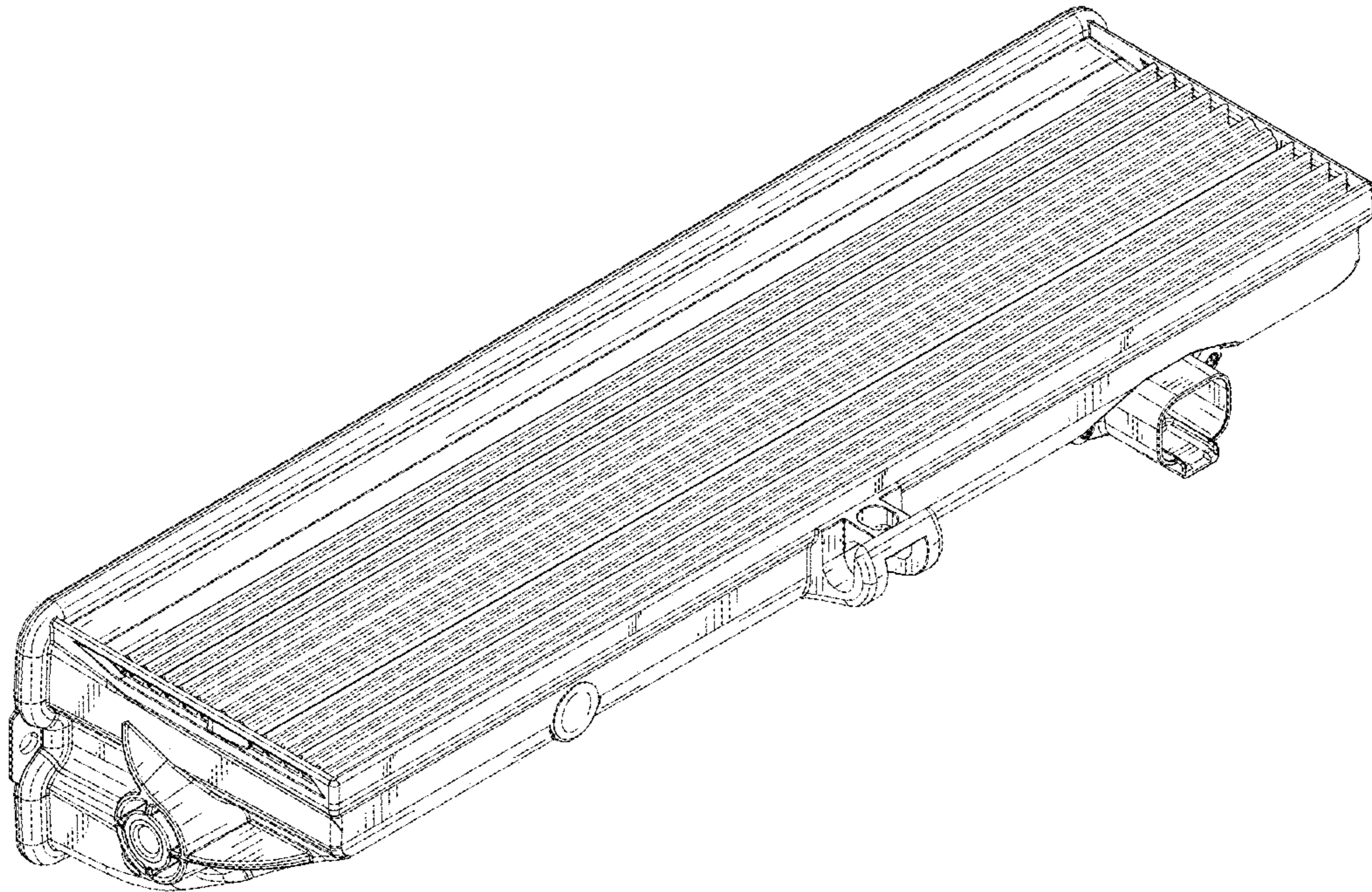


FIG. 10