



US0D1046122S

(12) **United States Design Patent** (10) **Patent No.: US D1,046,122 S**  
**Gouchtchina et al.** (45) **Date of Patent: \*\* Oct. 8, 2024**

(54) **DERMAL SPRAY CARTRIDGE** D356,828 S \* 3/1995 Harris ..... D9/566  
5,613,272 A 3/1997 Huffman  
(71) Applicant: **Quantum Skin Limited Liability** 5,839,623 A 11/1998 Losenno et al.  
**Company, Poznań (PL)** (Continued)

(72) Inventors: **Yoanna Gouchtchina**, Allen, TX (US);  
**Enrique Gallar**, Berlin (DE)

**FOREIGN PATENT DOCUMENTS**

(73) Assignee: **Quantum Skin Limited Liability**  
**Company, Poznań (PL)**

CA 43463 \* 4/1978  
CA 43463 A 4/1978  
(Continued)

(\*\*) Term: **15 Years**

**OTHER PUBLICATIONS**

(21) Appl. No.: **29/837,786**

Hydrogen Water Rejuvenating Instrument, aliexpress.us, customer review oldest Jul. 17, 2023 [online], [site visited Oct. 18, 2023], Available from internet, URL: <https://www.aliexpress.us/item/3256804679918558.html> (Year: 2023).\*

(22) Filed: **May 9, 2022**

(51) **LOC (14) Cl.** ..... **24-02**

(52) **U.S. Cl.**  
USPC ..... **D24/119**

(58) **Field of Classification Search**  
USPC ..... D24/119, 108, 110, 113, 188, 214, 133,  
D24/146; D28/91.1, 9, 99, 44.1;  
D9/682, 686, 769, 525, 529, 575, 449,  
D9/695, 696, 702, 708-711, 714  
CPC .... A61M 11/00; A61M 11/006; A61M 35/00;  
A61M 35/003; A61M 2210/04; A61M  
15/009; B65D 83/14; B65D 83/16; B65D  
83/20

See application file for complete search history.

(Continued)

*Primary Examiner* — Michael C Stout  
*Assistant Examiner* — Thanh Luu Wong  
(74) *Attorney, Agent, or Firm* — Jeff B. Vockrodt; CM  
Law

(57) **CLAIM**

The ornamental design for a dermal spray cartridge, as shown and described.

**DESCRIPTION**

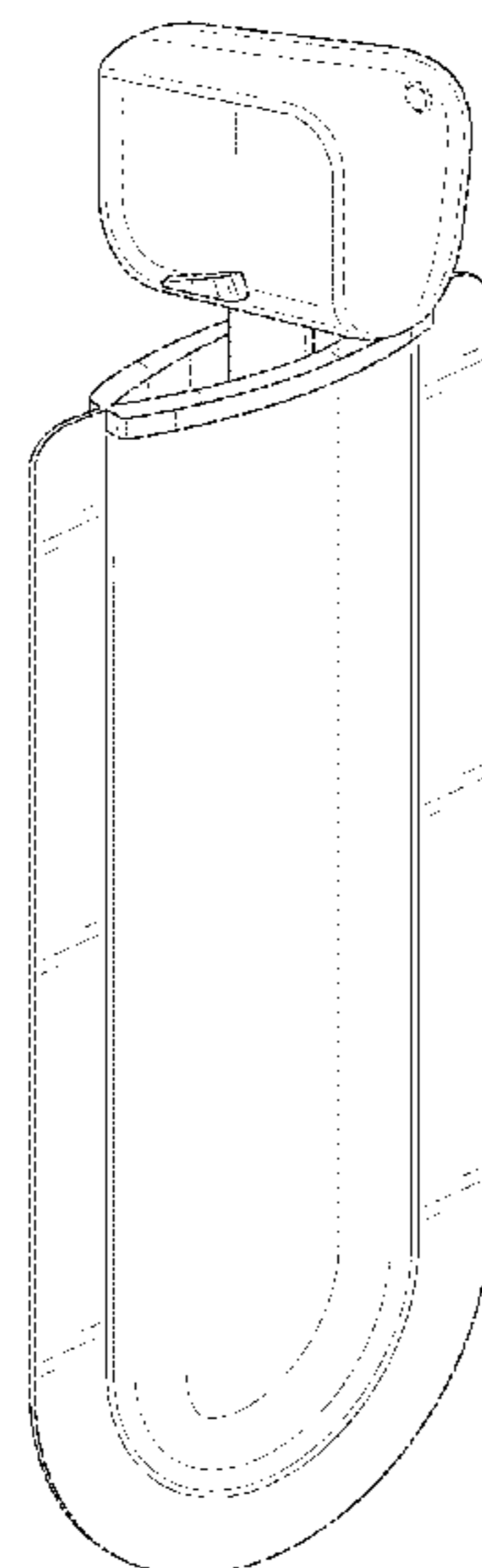
(56) **References Cited**

**U.S. PATENT DOCUMENTS**

2,078,171 A 4/1937 Wittie  
2,802,448 A 8/1957 Young  
D190,785 S 6/1961 Ralph  
D191,650 S 10/1961 Kruck  
D193,951 S \* 10/1962 Van Mil, Jr. .... D9/696  
3,554,450 A 1/1971 Muhala  
D258,046 S \* 1/1981 Richmond ..... D9/543  
D308,162 S \* 5/1990 Nitta ..... D9/687  
D317,407 S \* 6/1991 Gray ..... D9/424  
5,248,096 A 9/1993 Hoey et al.

FIG. 1 is a perspective view of top, front, and left sides of a dermal spray cartridge showing our new design; FIG. 2 is a front elevation view thereof; FIG. 3 is a back elevation view thereof; FIG. 4 is a right side elevation view thereof; FIG. 5 is a left side elevation view thereof; FIG. 6 is a top plan view thereof; and, FIG. 7 is a bottom plan view thereof. The broken lines depict portions of the dermal spray cartridge that form no part of the claim.

**1 Claim, 7 Drawing Sheets**



(56)

References Cited

U.S. PATENT DOCUMENTS

D415,267 S \* 10/1999 Kauzlarich ..... D23/366  
 6,125,844 A 10/2000 Samiotes  
 D450,889 S 11/2001 Chang  
 6,326,062 B1 12/2001 Noakes et al.  
 D463,736 S \* 10/2002 Hern ..... D9/686  
 6,478,193 B1 11/2002 Good et al.  
 6,598,808 B1 7/2003 Garcia et al.  
 D526,717 S \* 8/2006 Yamaguchi ..... D24/110  
 D528,653 S \* 9/2006 Matthew ..... D24/110  
 D529,811 S 10/2006 Ratzlaff  
 D530,621 S \* 10/2006 Rashid ..... D9/686  
 D538,482 S 3/2007 Martinez  
 D541,169 S 4/2007 Ball  
 D543,455 S 5/2007 Winner  
 7,225,807 B2 6/2007 Papania et al.  
 D552,232 S \* 10/2007 Collins ..... D24/115  
 D561,890 S 2/2008 Lithgow  
 D596,043 S \* 7/2009 Noble ..... D9/702  
 7,661,563 B2 2/2010 De Lataulade  
 7,874,461 B2 1/2011 Bae  
 7,959,597 B2 6/2011 Baker et al.  
 8,091,803 B2 1/2012 Fedorov  
 D654,805 S \* 2/2012 Lua ..... D9/686  
 D655,199 S \* 3/2012 Ciriani ..... D9/686  
 8,308,029 B2 11/2012 Ki  
 D673,055 S \* 12/2012 Cappello ..... D9/695  
 D673,264 S 12/2012 Kunze  
 8,443,799 B2 5/2013 Yamashita et al.  
 8,584,971 B2 11/2013 Seabase et al.  
 D698,208 S \* 1/2014 Cavanagh ..... D7/637  
 D716,666 S 11/2014 Park  
 D733,565 S \* 7/2015 Leventhal ..... D28/83  
 D734,153 S \* 7/2015 Fily ..... D9/449  
 D751,415 S 3/2016 Otani  
 9,358,561 B2 6/2016 Johnson et al.  
 D764,309 S 8/2016 Yakos  
 D766,096 S 9/2016 Moreaux  
 D779,124 S 2/2017 Houyoux  
 D791,933 S 7/2017 Rabe  
 D796,025 S 8/2017 Lo  
 9,744,319 B2 8/2017 Denyer et al.  
 D811,893 S \* 3/2018 Bandawat ..... D9/686  
 10,099,233 B2 10/2018 Tsai  
 D833,079 S 11/2018 Fang  
 D834,702 S 11/2018 Evans  
 10,252,283 B2 4/2019 Gouchtchina et al.  
 D848,603 S 5/2019 Fujino  
 D849,230 S 5/2019 Gouchtchina et al.  
 D855,891 S 8/2019 Lin  
 D871,134 S 12/2019 Silsby  
 D871,230 S 12/2019 Zhang  
 D889,635 S 7/2020 Mitchell et al.  
 D900,303 S 10/2020 Mitchell et al.  
 10,814,077 B2 10/2020 Dyche et al.  
 10,835,691 B2 11/2020 Dyche et al.  
 D905,846 S 12/2020 Mitchell et al.  
 D906,530 S 12/2020 Liu  
 D908,965 S 1/2021 Pae  
 D943,733 S 2/2022 Cavatorta  
 11,273,267 B2 3/2022 Gavini et al.  
 D958,672 S \* 7/2022 Warner ..... D9/708  
 D962,070 S 8/2022 Yoshida  
 11,439,218 B2 9/2022 Gouchtchina et al.  
 D965,770 S \* 10/2022 Shah ..... D24/119  
 D970,352 S \* 11/2022 Chan ..... D9/709  
 11,641,921 B1 \* 5/2023 Gouchtchina ..... B05B 7/2443  
 132/200  
 D990,046 S 6/2023 Levy  
 2003/0063801 A1 4/2003 Rubinstenn et al.  
 2003/0084914 A1 5/2003 Simon  
 2003/0157183 A1 8/2003 Perrut  
 2004/0050964 A1 3/2004 Wong et al.  
 2005/0054991 A1 3/2005 Tobyn et al.  
 2006/0124662 A1 6/2006 Reynolds et al.  
 2006/0127425 A1 6/2006 Walls et al.

2006/0242780 A1\* 11/2006 Yang ..... A46B 5/04  
 15/227  
 2009/0039177 A1 2/2009 Bourhis  
 2009/0206174 A1 8/2009 Arnaud et al.  
 2010/0147883 A1 6/2010 Fedorov  
 2010/0170964 A1 7/2010 Fedorov  
 2010/0287991 A1 11/2010 Brown et al.  
 2011/0106021 A1 5/2011 Ruegg et al.  
 2011/0118694 A1 5/2011 Yodfat et al.  
 2011/0248052 A1 10/2011 Kelly et al.  
 2013/0092285 A1 4/2013 Feriani et al.  
 2013/0245604 A1 9/2013 Kouyoumjian et al.  
 2013/0296807 A1 11/2013 Lintern et al.  
 2015/0021364 A1 1/2015 Zehnder et al.  
 2015/0201791 A1 7/2015 Tinkler et al.  
 2015/0335586 A1 11/2015 Baruzzi et al.  
 2016/0022011 A1 1/2016 Rabe et al.  
 2016/0192760 A1 7/2016 Nishiura et al.  
 2017/0051480 A1 2/2017 Farcet et al.  
 2017/0151362 A1 6/2017 Edwards et al.  
 2017/0340087 A1 11/2017 Samain et al.  
 2018/0050354 A1 2/2018 Delsard  
 2018/0318642 A1 11/2018 Lunz et al.  
 2019/0015857 A1 1/2019 Gouchtchina et al.  
 2020/0315319 A1 10/2020 Samain  
 2021/0178135 A1 6/2021 Brinkman et al.  
 2021/0307484 A1 10/2021 Gouchtchina et al.  
 2023/0123741 A1 4/2023 Gouchtchina et al.

FOREIGN PATENT DOCUMENTS

CN 2930731 8/2007  
 CN 206228711 U 6/2017  
 CN 208004186 U 10/2018  
 EP 2123318 A1 11/2009  
 EP 2308603 A1 4/2011  
 EP 2433656 A1 3/2012  
 JP 2006198201 A 8/2006  
 JP 3215873 U 4/2018  
 KR 20120108252 A 10/2012  
 KR 20120132067 A 12/2012  
 KR 20130130569 A 12/2013  
 TW 564484 B 12/2003  
 WO 2008058160 A2 5/2008  
 WO 2015191014 A1 12/2015  
 WO 2016046385 A1 3/2016  
 WO 2017080685 A1 5/2017  
 WO 2019148116 A1 8/2019

OTHER PUBLICATIONS

Anywhere Portable Bottle Humidifier, multitasky.com, [online], [site visited Oct. 18, 2023], Available from internet, URL: <https://multitasky.com/products/the-anywhere-humidifier> (Year: 2023).  
 Jisulife Mini Portable Humidifier, amazon.com, first available Mar. 6, 2021 [online], [site visited Oct. 18, 2023], Available from internet, URL: [https://www.amazon.com/JISULIFE-Humidifier-Humidifiers-Container-Diversity/dp/B08Y6NH6KH/ref=asc\\_df\\_B08Y6NH6KH](https://www.amazon.com/JISULIFE-Humidifier-Humidifiers-Container-Diversity/dp/B08Y6NH6KH/ref=asc_df_B08Y6NH6KH) (Year: 2021).  
 U.S. Appl. No. 29/837,786, filed May 9, 2022, Yoanna A. Gouchtchina.  
 U.S. Appl. No. 29/837,791, filed May 9, 2022, Yoanna A. Gouchtchina.  
 U.S. Appl. No. 29/837,813, filed May 9, 2022, Enrique Gallar.  
 U.S. Appl. No. 29/837,826, filed May 9, 2022, Enrique Gallar.  
 Fenty Skin Hydra Vizor Invisible Moisturizer, sephora.com, customer review oldest Dec. 21, 2020 [online], [site visited Oct. 18, 2023], Available from internet, <https://www.sephora.com/product/fenty-skin-hydra-vizor-moisturizer-broad-spectrum-spf-30-sunscreen-P467249> (Year: 2020).  
 Kozhya Air, kickstarter.com, first available Nov. 13, 2017 [online], [site visited Oct. 18, 2023], Available from internet, URL: <https://www.kickstarter.com/projects/748624652/kozhya-air> (Year: 2017).  
 Le Mieux Ionized Oxygen in Fus ER, lemieuxskincare.com, customer review oldest Jul. 7, 2021 [online], [site visited Oct. 18, 2023], Available from internet, URL: <https://lemieuxskincare.com/products/ionized-oxygen-infuser> (Year: 2021).

(56)

**References Cited**

OTHER PUBLICATIONS

Nano Spray Oxygen Injector Airbrush, temu.com, customer review oldest Jul. 29, 2023 [online], [site visited Oct. 18, 2023], Available from internet, URL: <https://tinyurl.com/44n3f7ua> (Year: 2023).

Ries The Essential Refillable Travel Container, sephora.com, customer review oldest Aug. 9, 2022 [online], [site visited Oct. 13, 2023], Available from internet, URL: <https://www.sephora.com/product/the-essential-refillable-travel-container-P501801?skuId=2612455> (Year: 2022).

Search Report received in International Application No. PCT/US22/46510 dated Aug. 14, 2023, 5 pages.

Written Opinion received in International Application No. PCT/US22/46510 dated Aug. 14, 2023, 7 pages.

\* cited by examiner

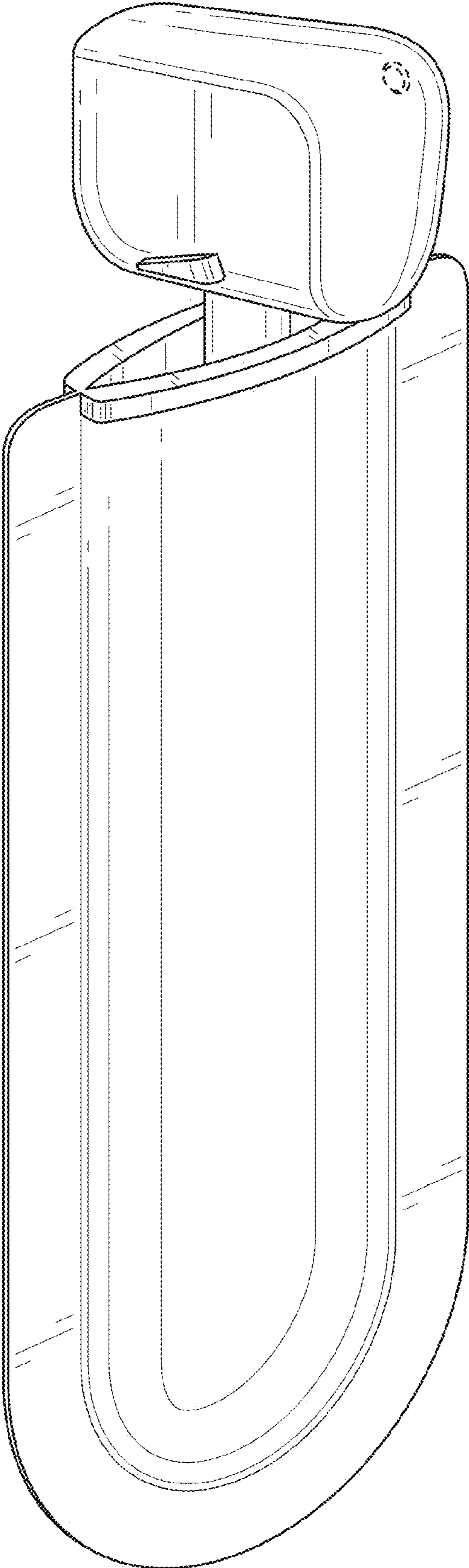


FIG. 1

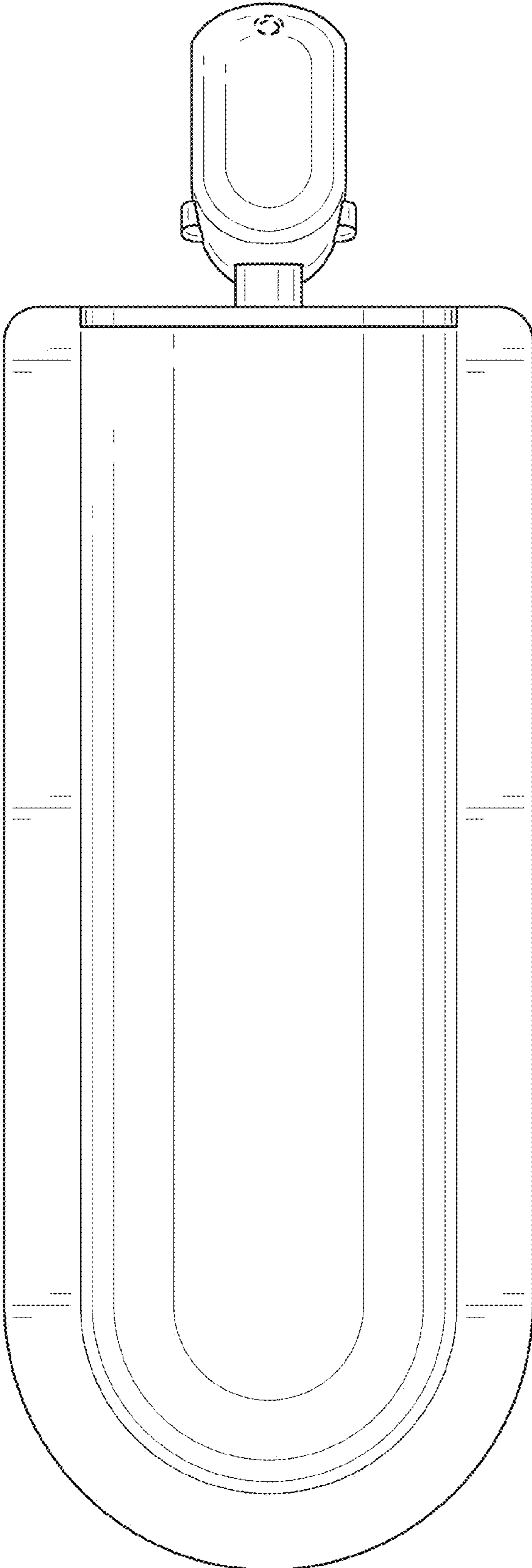


FIG. 2

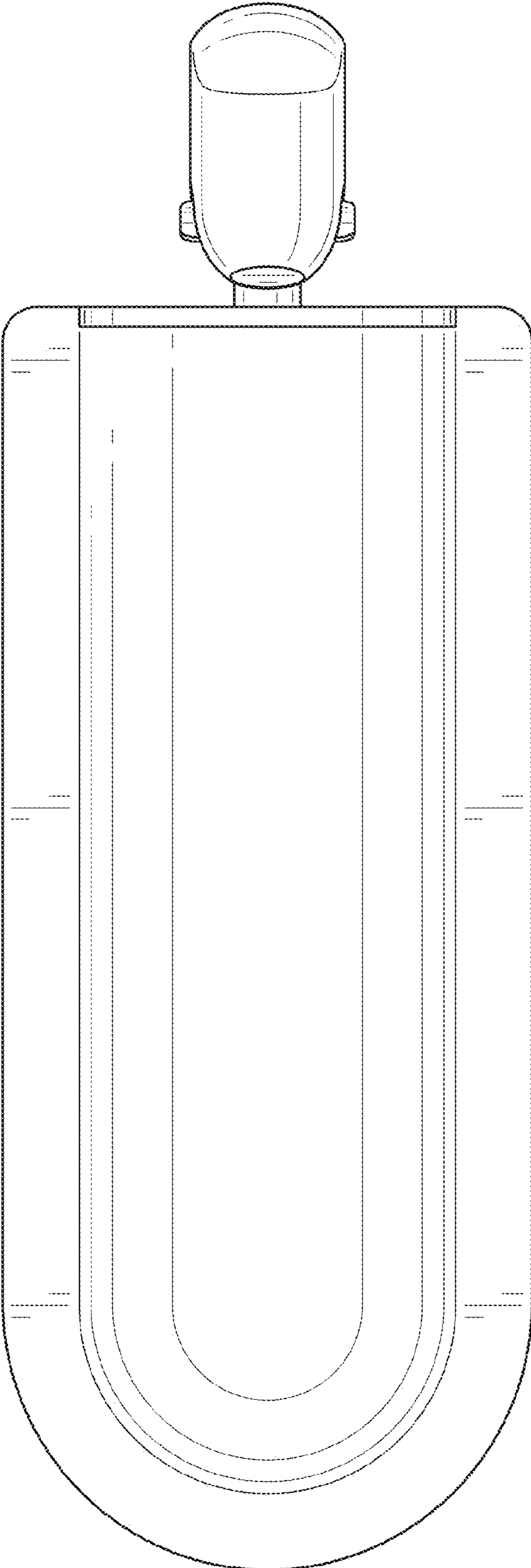


FIG. 3

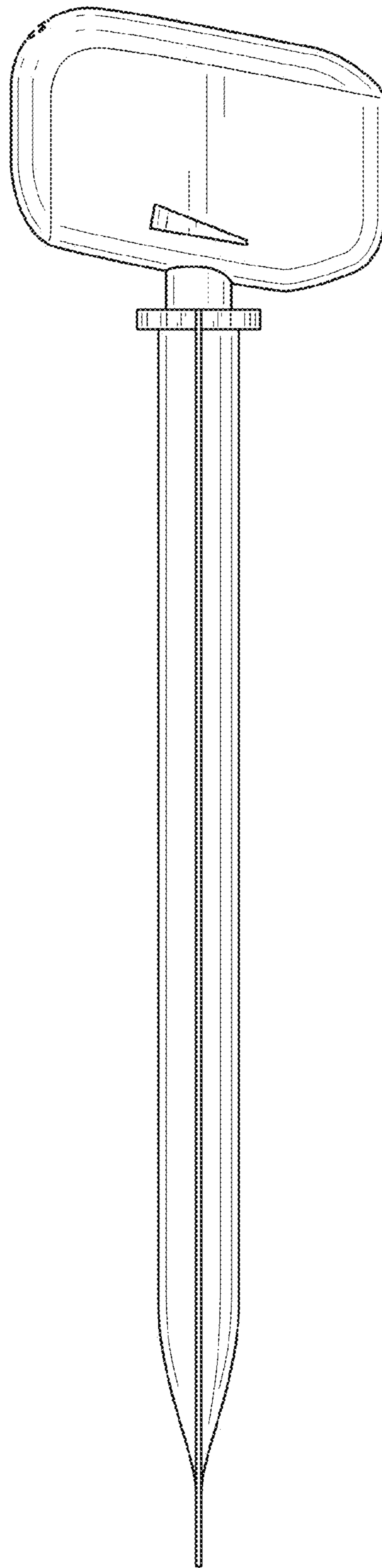


FIG. 4

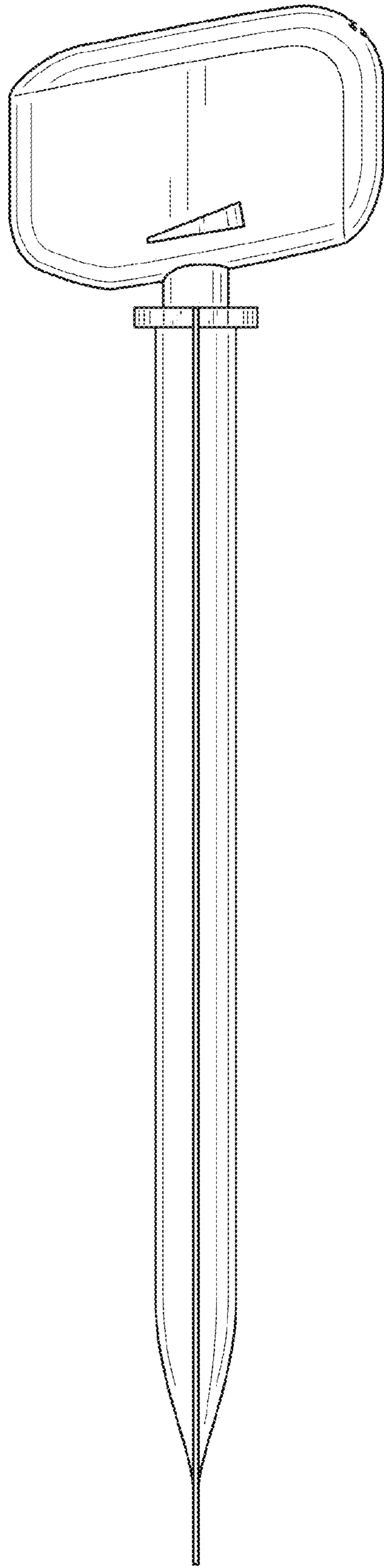


FIG. 5



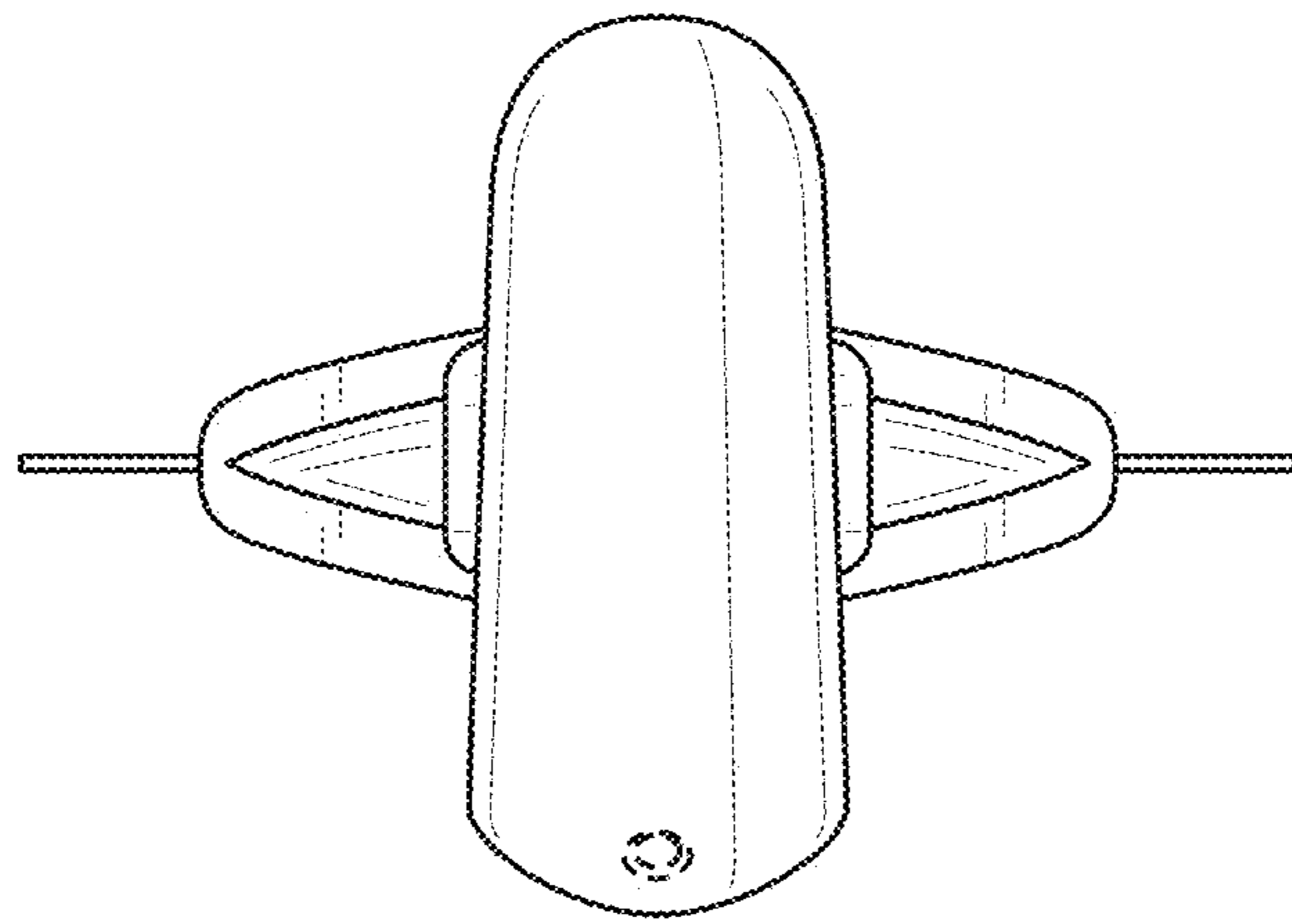


FIG. 6

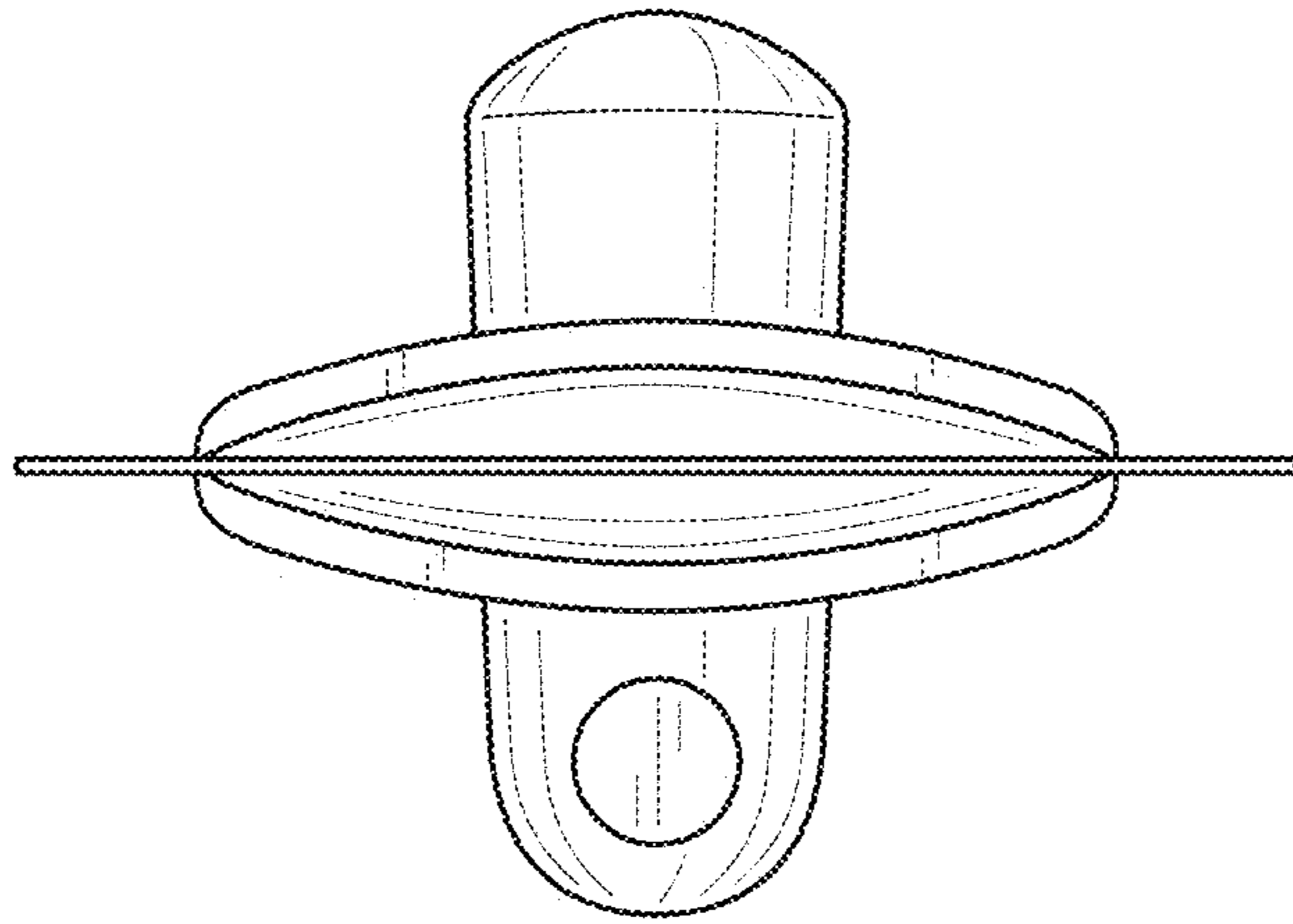


FIG. 7