



US0D1045934S

(12) **United States Design Patent** (10) **Patent No.:** **US D1,045,934 S**
Kappel (45) **Date of Patent:** **** Oct. 8, 2024**

(54) **ELBOW FOR LIQUID COOLER**
(71) Applicant: **Sandor Kappel**, Milford, CT (US)
(72) Inventor: **Sandor Kappel**, Milford, CT (US)
(**) Term: **15 Years**
(21) Appl. No.: **29/817,424**
(22) Filed: **Dec. 1, 2021**
(51) **LOC (14) Cl.** **15-01**
(52) **U.S. Cl.**
USPC **D15/5**
(58) **Field of Classification Search**
USPC D15/1, 2, 3, 4, 5, 7; D23/386, 314, 259,
D23/262, 263, 264, 266, 267, 268, 269,
D23/265; D13/101, 118, 123, 184
CPC F23R 3/60; F23R 3/02; F23R 3/28; F23R
3/36; F16L 9/00; F16L 9/003; F16L
9/006; F16L 1/00; F16L 1/036; F16L
13/00; F16L 13/002; F16L 13/146; F16L
11/00; F16L 11/122; F16L 15/00; F16L
23/00; F16L 23/14; F16L 23/0283
See application file for complete search history.

(56) **References Cited**
U.S. PATENT DOCUMENTS
D438,938 S * 3/2001 Cleek D23/263
D584,386 S * 1/2009 Zelko D23/263
D624,015 S * 9/2010 Walker D15/3

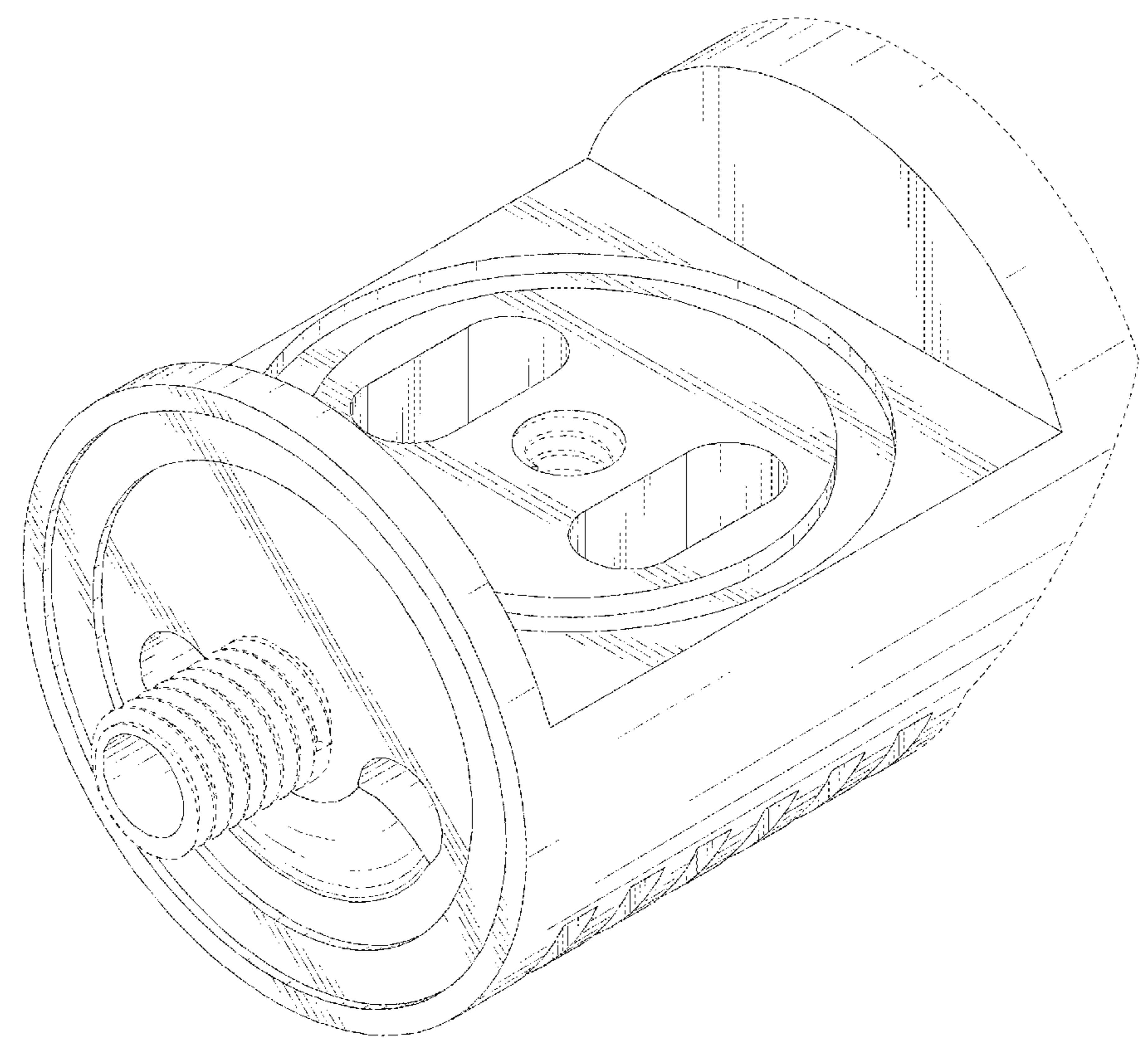
D652,913 S * 1/2012 Selvarajan D24/110.5
D739,508 S * 9/2015 Menno D23/263
D755,354 S * 5/2016 Coronado D23/262
D785,161 S * 4/2017 Dravitzki D24/127
D803,985 S * 11/2017 Yung D23/233
D856,478 S * 8/2019 Yung D23/233
D984,593 S * 4/2023 Chen D23/245
D985,738 S * 5/2023 Tropper D23/263
D988,502 S * 6/2023 Huang D24/110.5

* cited by examiner
Primary Examiner — Calvin E Vansant
Assistant Examiner — Eidiol Ghigliotty Torre

(57) **CLAIM**
The ornamental design for an elbow for liquid cooler, as shown and described.

DESCRIPTION
FIG. 1 is a top front perspective view of an elbow for liquid cooler showing my new design;
FIG. 2 is a bottom rear perspective view thereof;
FIG. 3 is a left elevational view thereof;
FIG. 4 is a right elevational view thereof;
FIG. 5 is a top plan view thereof;
FIG. 6 is a bottom plan view thereof;
FIG. 7 is a front elevational view thereof; and,
FIG. 8 is a back elevational view thereof.
In the drawings, the portions of the elbow for liquid cooler shown in broken lines depict unclaimed portions of the article and form no part of the claimed design.

1 Claim, 8 Drawing Sheets



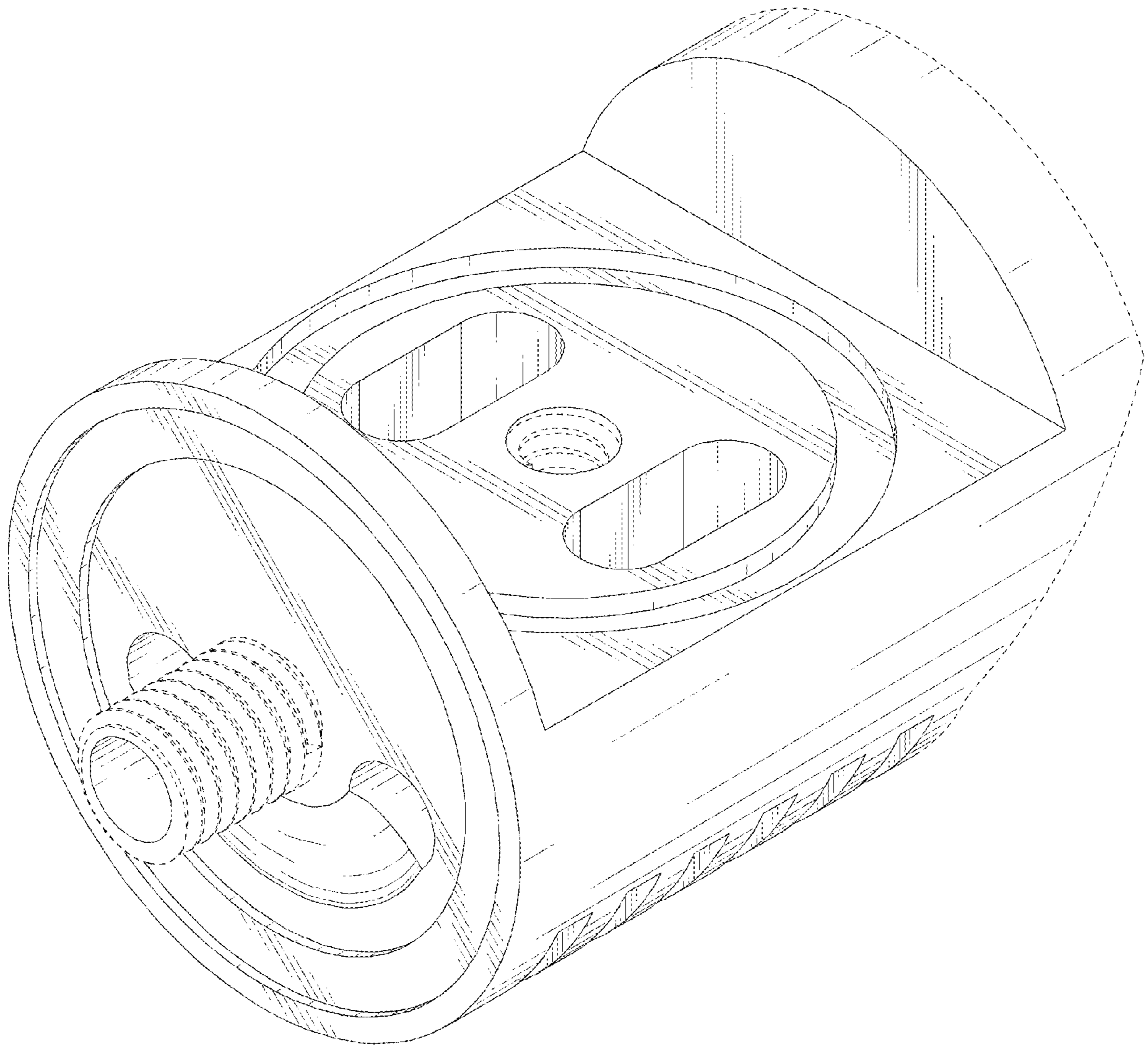


FIG. 1

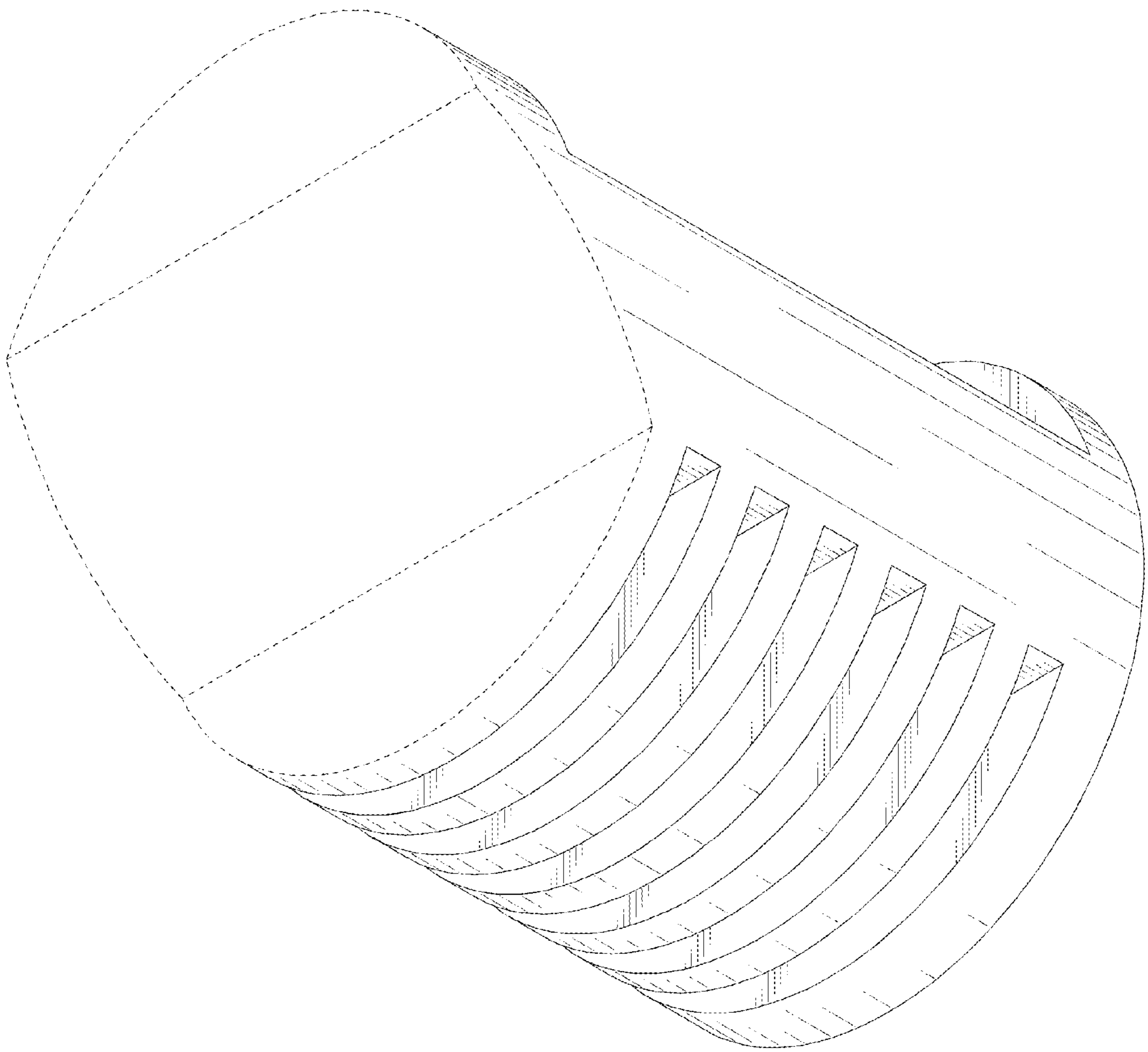


FIG. 2

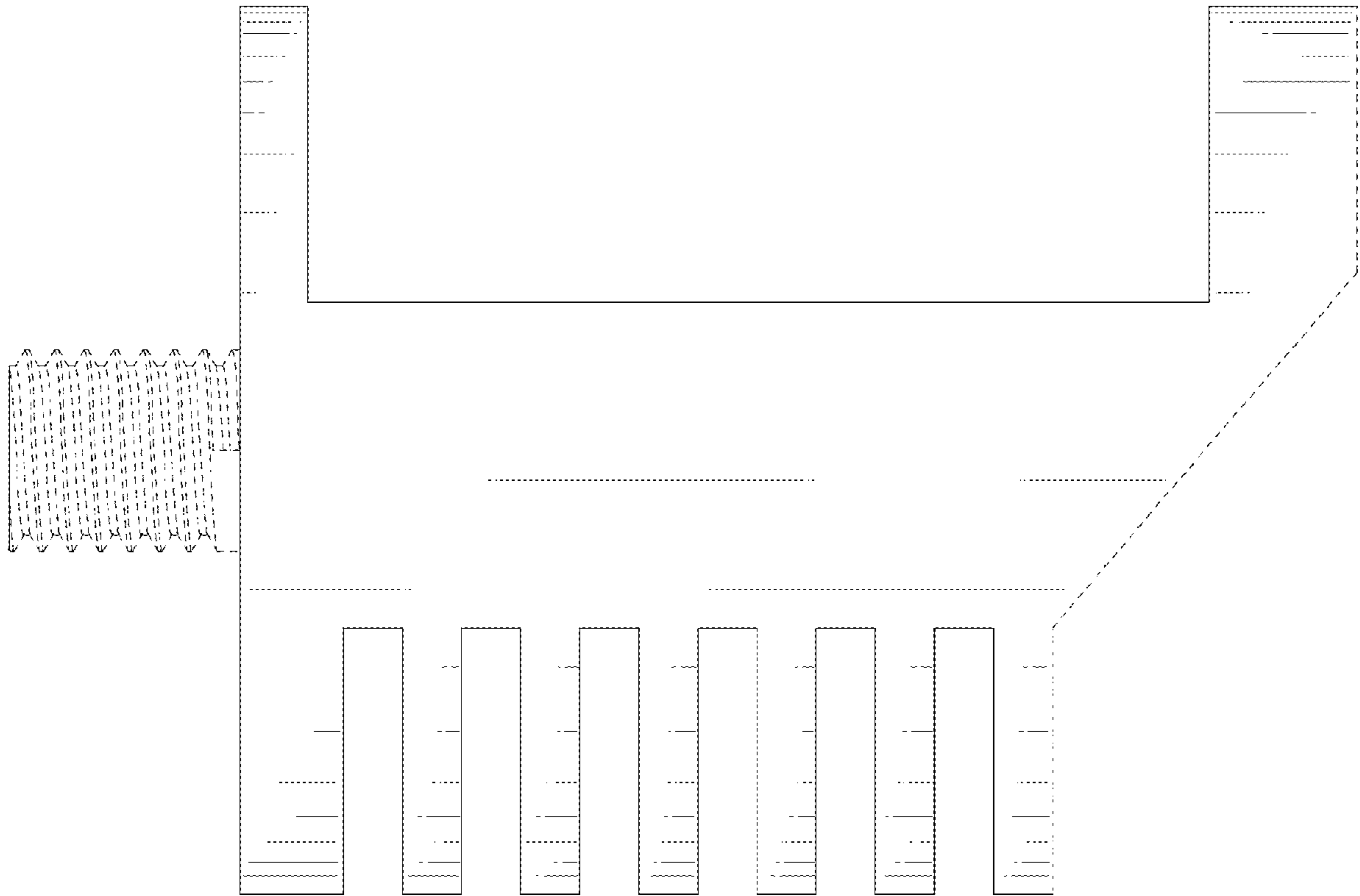


FIG. 3

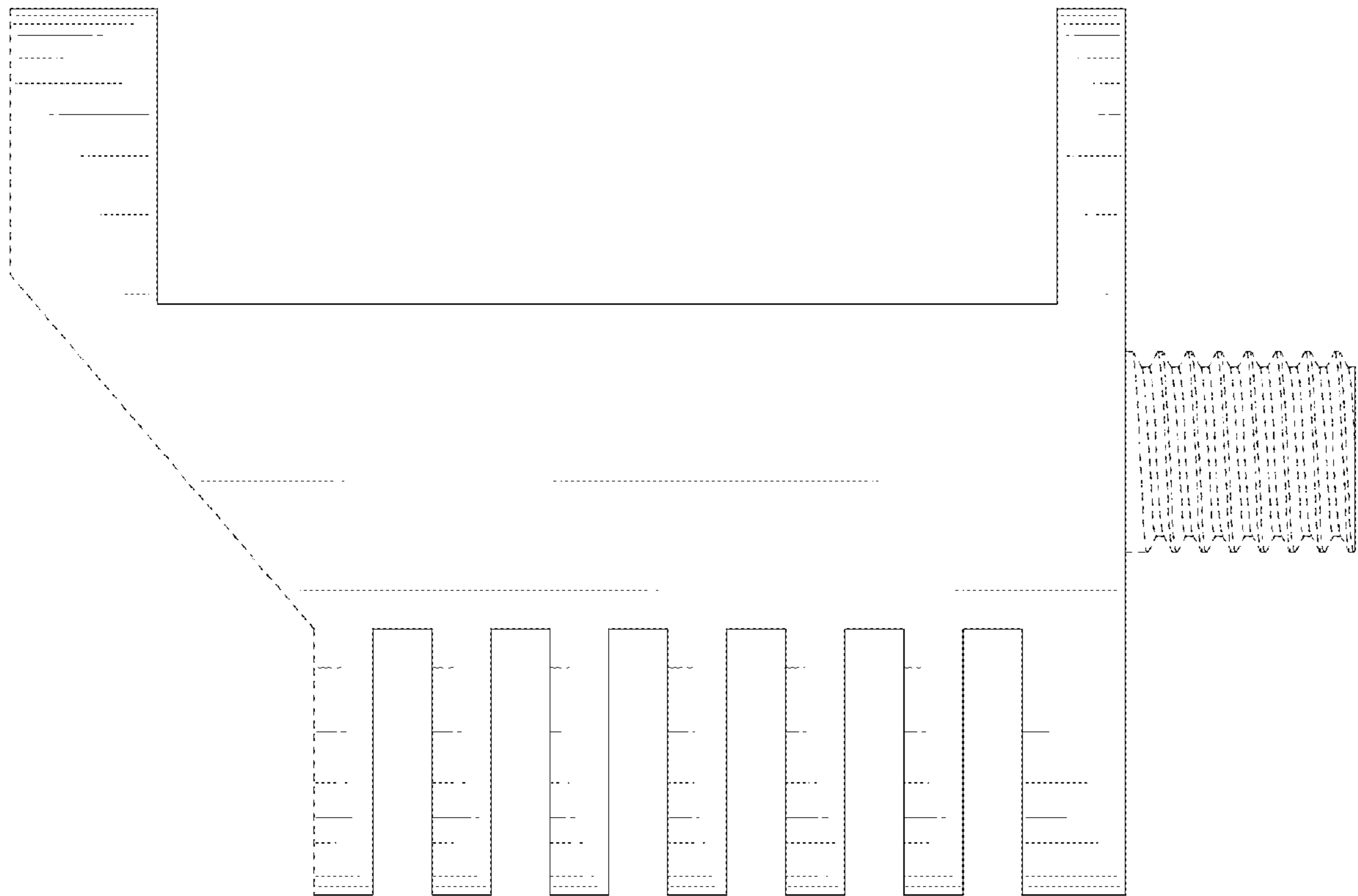


FIG. 4

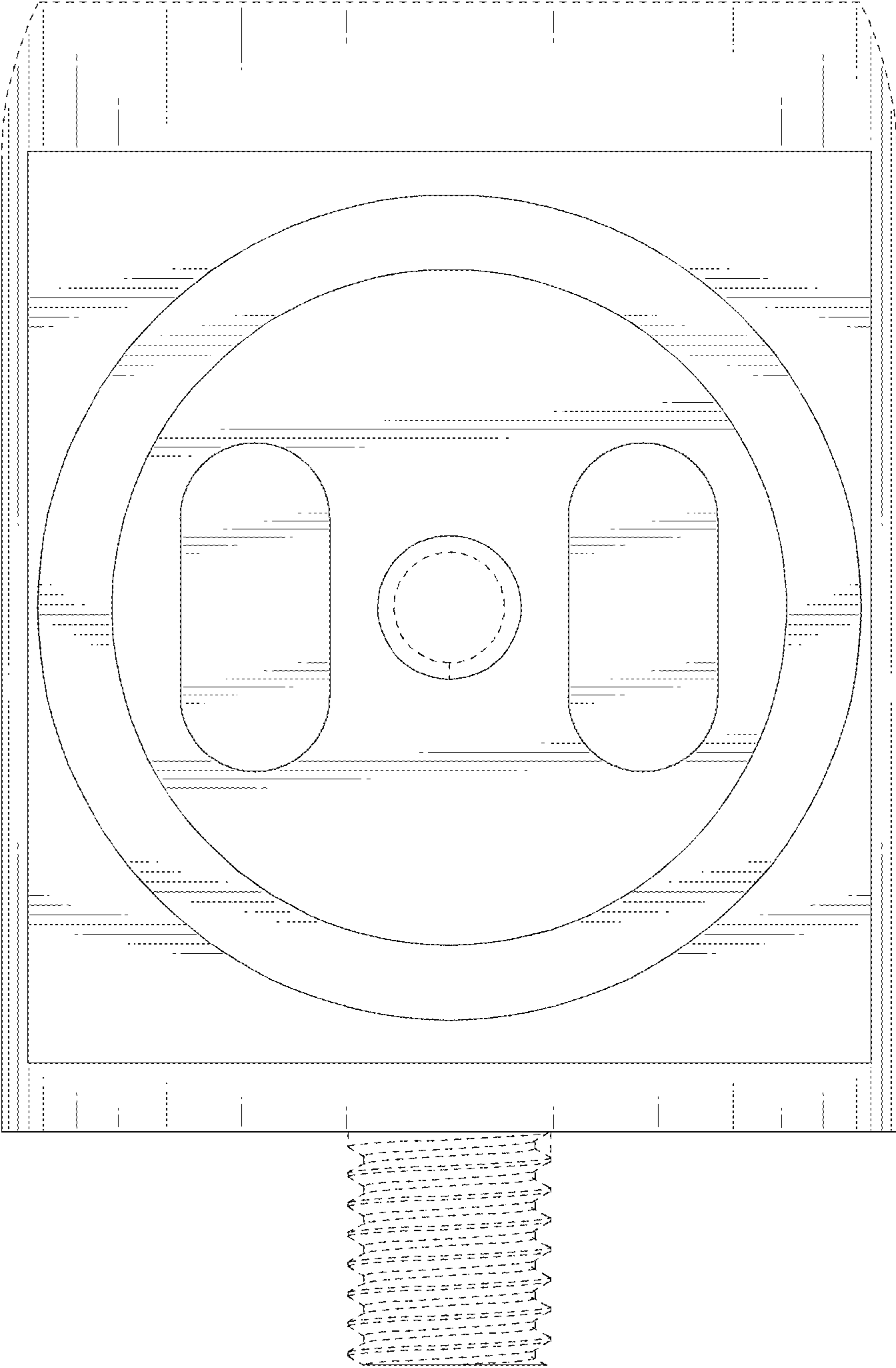


FIG. 5

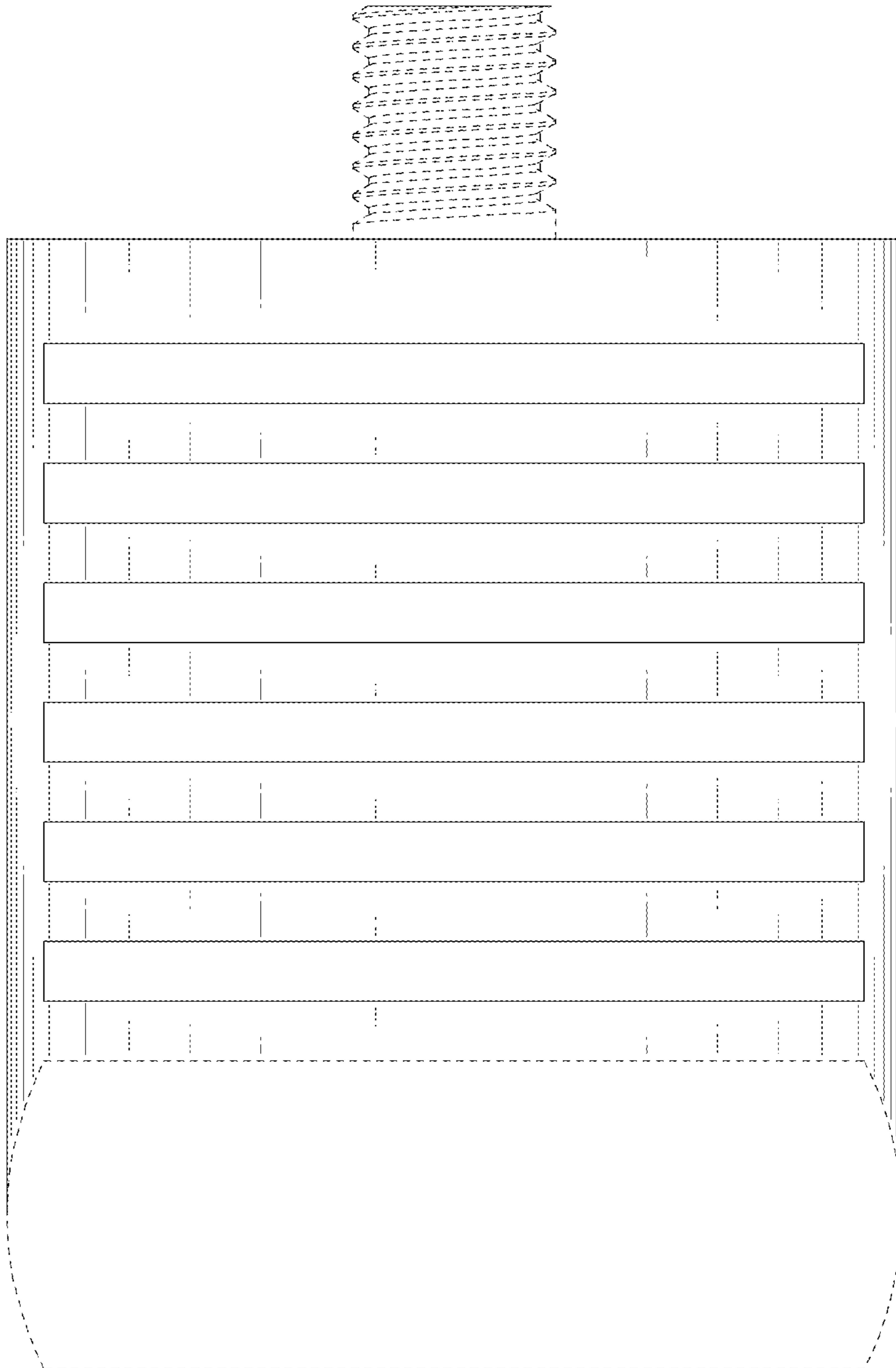


FIG. 6

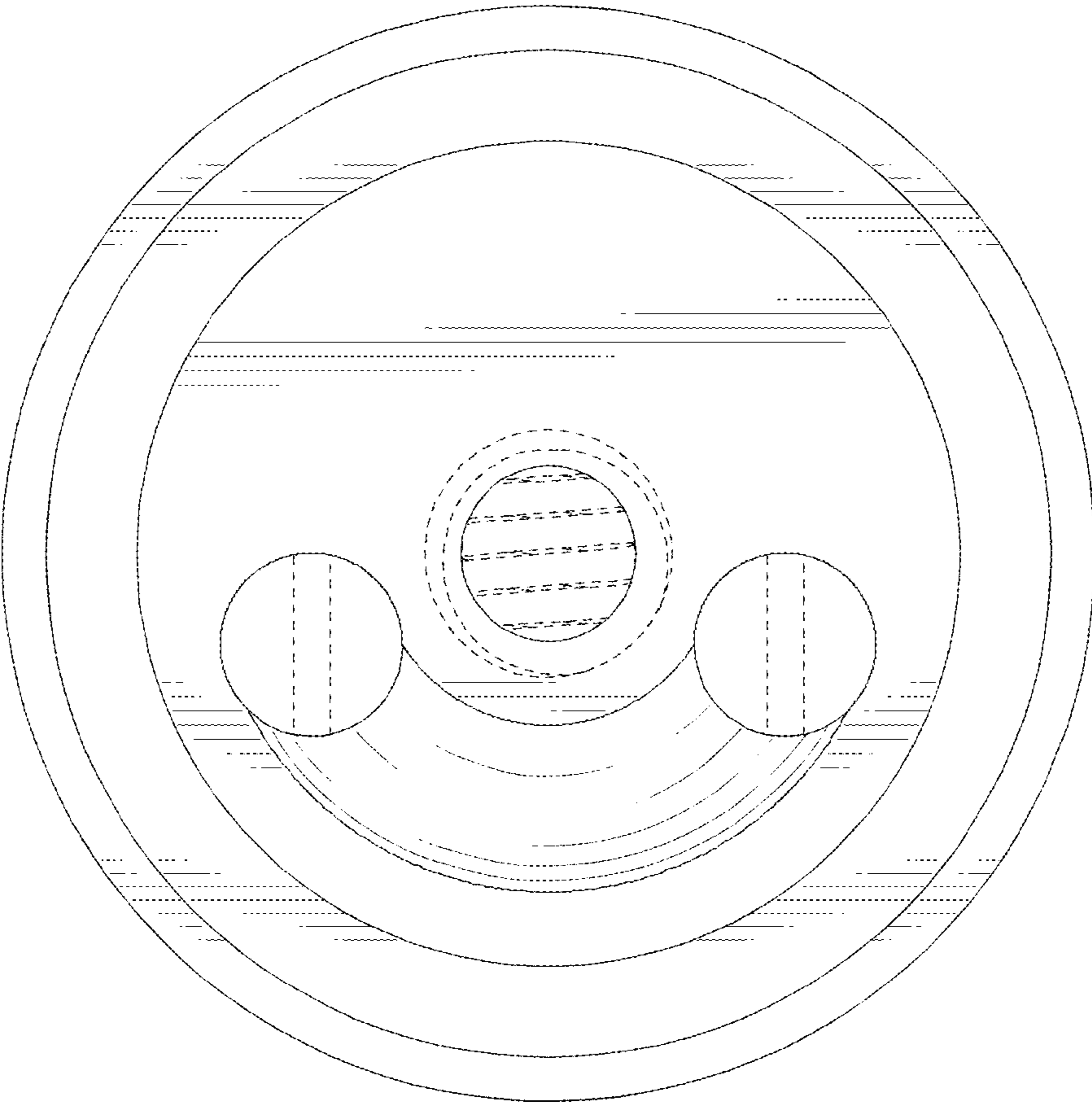


FIG. 7

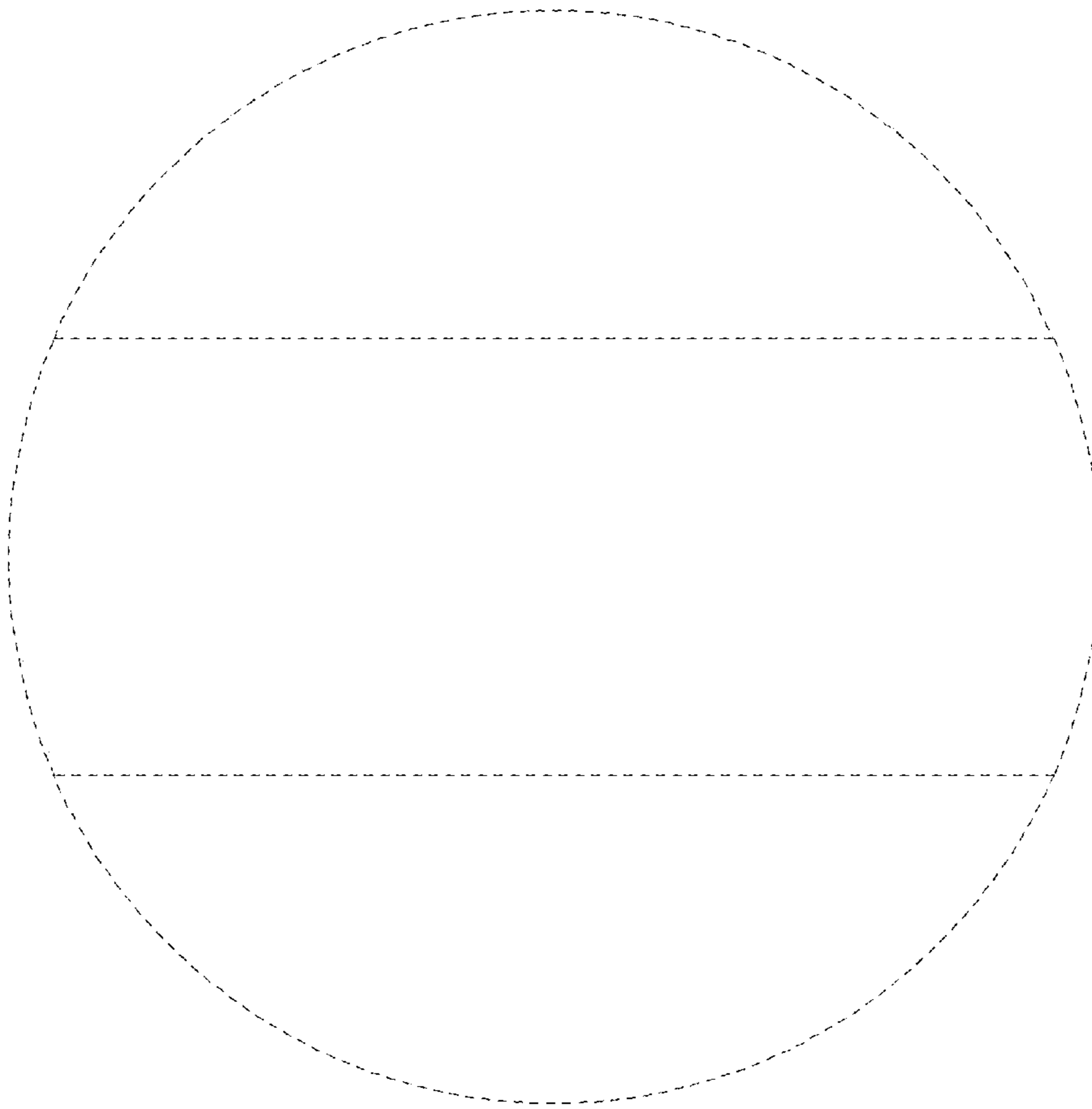


FIG. 8