



US0D1045567S

(12) **United States Design Patent** (10) **Patent No.:** **US D1,045,567 S**
Bronk (45) **Date of Patent:** **** Oct. 8, 2024**

(54) **SHANK FOR A THREADED FASTENER BIT DRIVER**

D883,062 S * 5/2020 Wu D8/86
10,890,030 B2 * 1/2021 Spatz E21B 44/02
D920,070 S * 5/2021 Spatz D8/70

(Continued)

(71) Applicant: **Klein Tools, Inc.**, Lincolnshire, IL (US)

(72) Inventor: **Michael D. Bronk**, Arlington, TX (US)

(73) Assignee: **Klein Tools, Inc.**, Lincolnshire, IL (US)

(**) Term: **15 Years**

(21) Appl. No.: **29/796,790**

(22) Filed: **Jun. 27, 2021**

(51) **LOC (14) Cl.** **08-05**

(52) **U.S. Cl.**
USPC **D8/86; D8/70**

(58) **Field of Classification Search**
USPC ... D8/21, 22, 25, 27, 29, 70, 82, 84, 85, 86,
D8/106

CPC B25B 23/0035
See application file for complete search history.

(56) **References Cited**

U.S. PATENT DOCUMENTS

D235,613	S	*	7/1975	Olson et al.	D8/86
D351,547	S	*	10/1994	Herrala	D8/82
D359,216	S	*	6/1995	Kozak	D8/70
D381,879	S	*	8/1997	Peng	D8/27
D386,656	S	*	11/1997	Kyser	D8/21
D510,694	S	*	10/2005	Giles, Jr.	D8/107
D526,546	S	*	8/2006	Jirele	D8/29
D584,118	S	*	1/2009	Halstead	D8/29
D589,319	S	*	3/2009	Peters	D8/70
D593,823	S	*	6/2009	Patti	D8/21
D761,068	S	*	7/2016	Brown	D8/29
D813,003	S	*	3/2018	Chang	D8/86
D829,518	S	*	10/2018	McLeod	D8/24
D841,425	S	*	2/2019	Moss	D8/86
D881,666	S	*	4/2020	Andersson	D8/86

FOREIGN PATENT DOCUMENTS

KR 300720258.0000 * 12/2013

OTHER PUBLICATIONS

“Neiko Magnetic Bit Holder Set” Jun. 3, 2020, Amazon, site visited May 7, 2024: <https://www.amazon.com/NEIKO-11403A-Magnetic-Holder-Pieces/dp/B089N8XTTB/?th=1> (Year: 2020).*

(Continued)

Primary Examiner — Jack Reickel
Assistant Examiner — Sydney M Evans

(57) **CLAIM**

The ornamental design for a shank for a threaded fastener bit driver, as shown and described.

DESCRIPTION

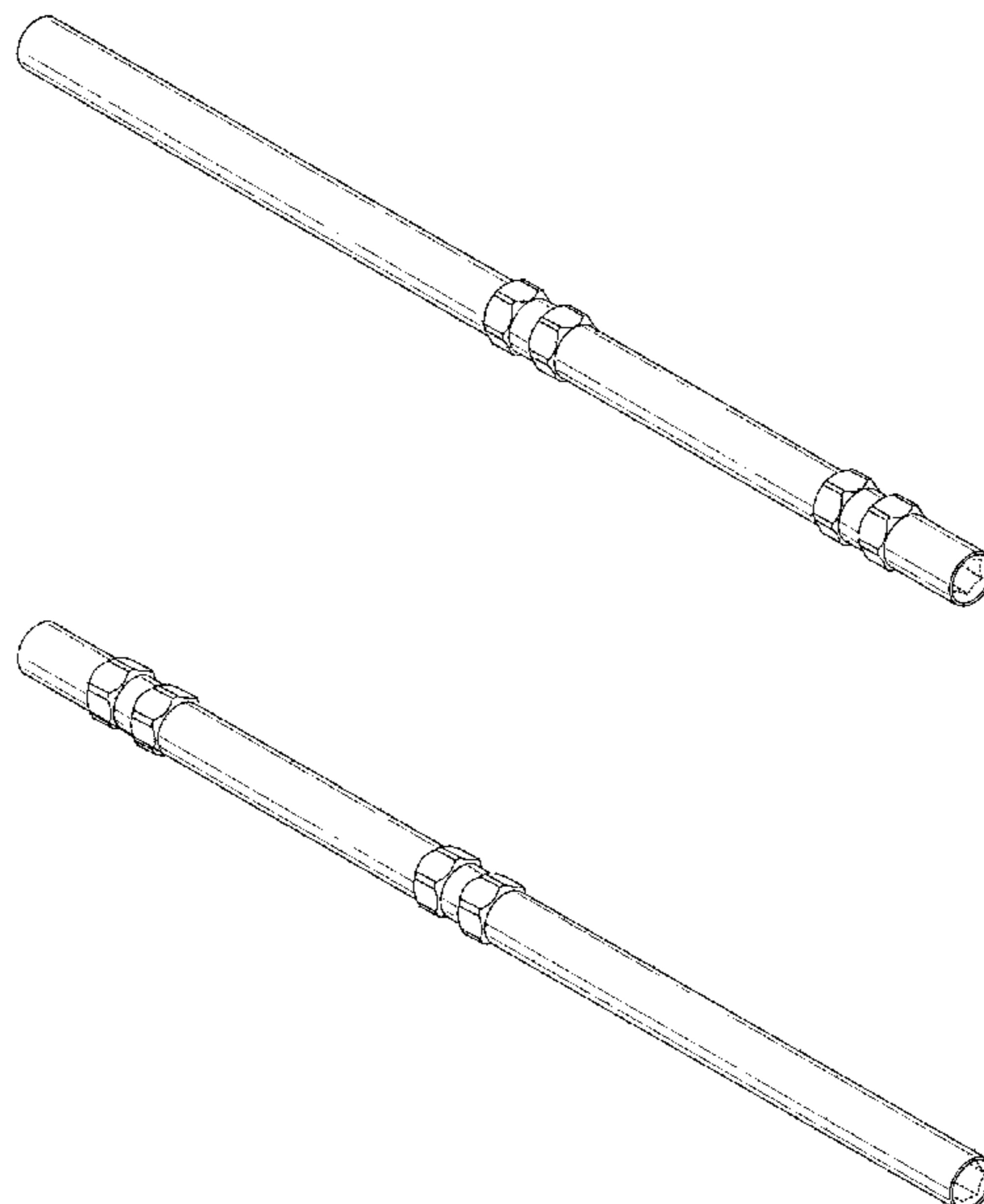
FIG. 1 is a perspective view taken from the front and right side of a shank for a threaded fastener bit driver in accordance with our new design;

FIG. 2 is a perspective view taken from the back and left side of the shank for a threaded fastener bit driver of FIG. 1;

FIG. 3 is a left side elevation view of the shank for a threaded fastener bit driver of FIGS. 1 and 2, with the right side elevation view being a mirror image of FIG. 3; and, FIG. 4 is a front view of the shank for a threaded fastener bit driver of FIGS. 1-4, with the back view being identical to the front view of FIG. 4.

The broken lines shown are included for the purpose of illustrating portions of the shank for a threaded fastener bit driver that form no part of the claim. The shading lines in the drawings show contour and are not intended to indicate surface orientation.

1 Claim, 2 Drawing Sheets



(56)

References Cited

U.S. PATENT DOCUMENTS

D976,667 S * 1/2023 Liu D8/86
D982,408 S * 4/2023 Chen D8/70
D1,011,325 S * 1/2024 Omerovic D14/230
2012/0085204 A1 * 4/2012 Hale B25B 23/0035
81/438
2017/0028538 A1 * 2/2017 Lourenco B25B 23/0035
2017/0173766 A1 * 6/2017 Dill B23B 51/12
2021/0046633 A1 * 2/2021 Li B25B 23/0042
2023/0191564 A1 * 6/2023 Huang B25B 21/002
81/121.1

OTHER PUBLICATIONS

“A Flexible Screwdriver and Drill Bit that ‘Bends’” Apr. 28, 2016,
YouTube, site visited May 3, 2024: https://www.youtube.com/watch?v=pt3V4KkLG_M (Year: 2016).*

“Chuck Extender Drill Extension With Chuck” Jun. 26, 2020,
YouTube, site visited May 7, 2024: <https://www.youtube.com/watch?v=u9jDe6R4qQM&t=2s> (Year: 2020).*

* cited by examiner

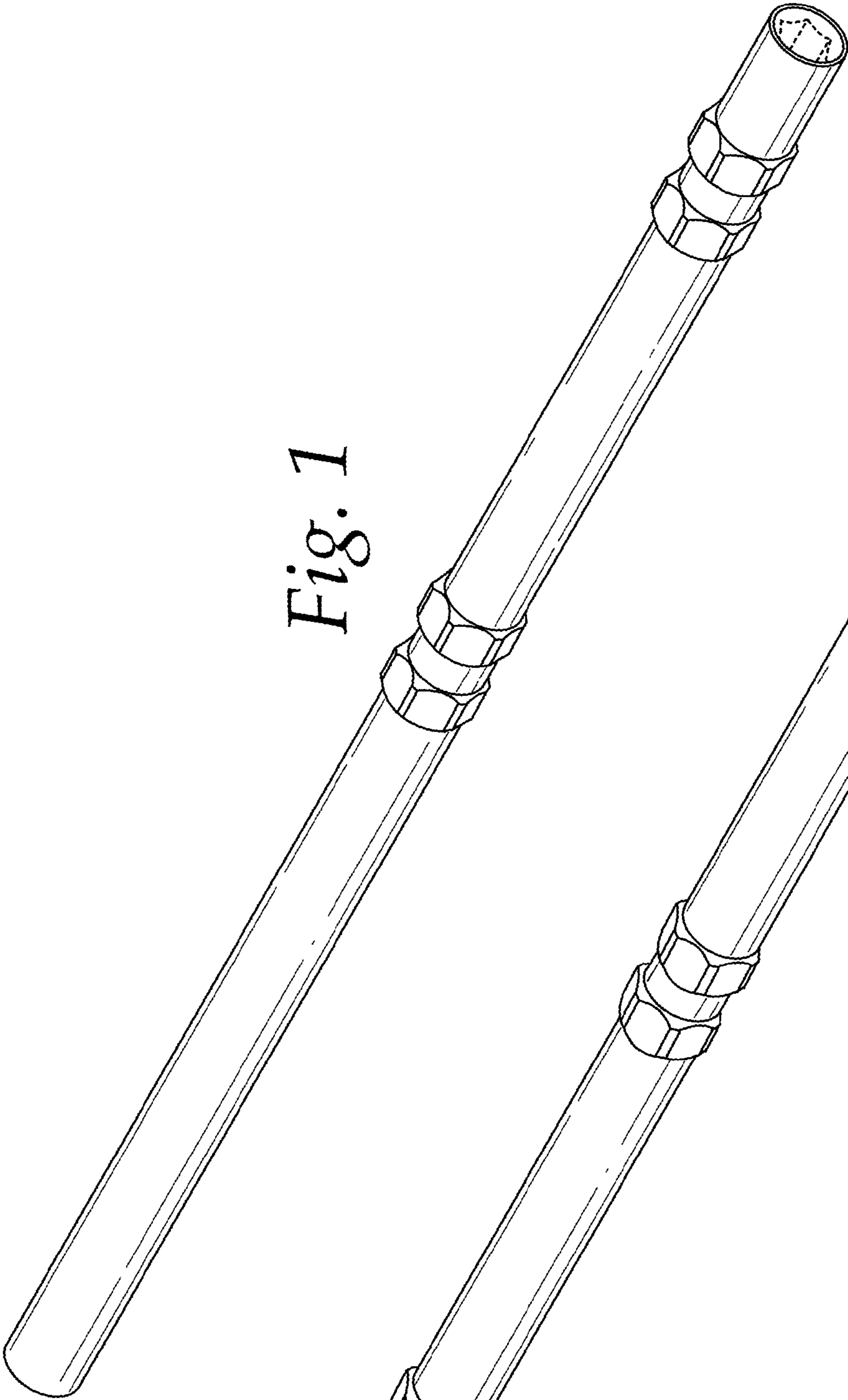


Fig. 1

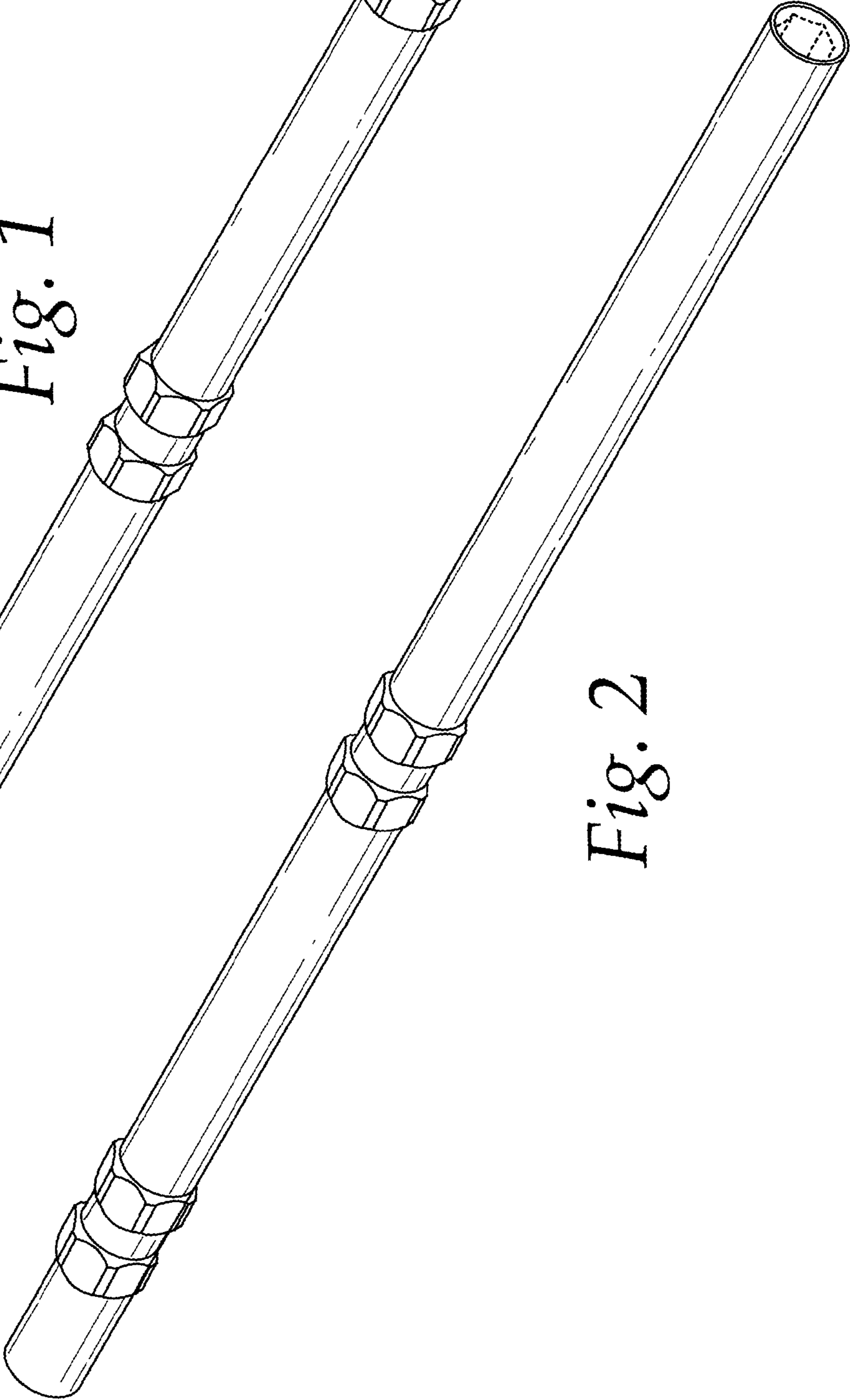


Fig. 2

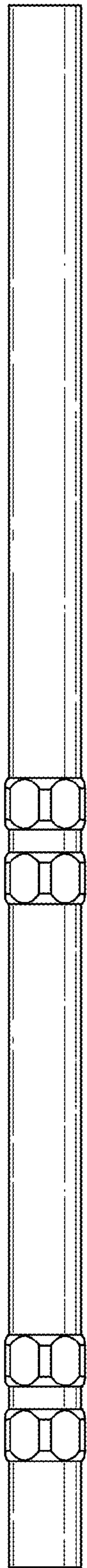


Fig. 3



Fig. 4