



US0D1045542S

(12) **United States Design Patent**
Zhang

(10) **Patent No.:** **US D1,045,542 S**

(45) **Date of Patent:** **** Oct. 8, 2024**

(54) **CHEESE BOARD**

(71) Applicant: **Zhihang Zhang**, Shenzhen (CN)

(72) Inventor: **Zhihang Zhang**, Shenzhen (CN)

(**) Term: **15 Years**

(21) Appl. No.: **29/923,734**

(22) Filed: **Jan. 2, 2024**

(51) **LOC (14) Cl.** **07-04**

(52) **U.S. Cl.**

USPC **D7/698**

(58) **Field of Classification Search**

USPC D7/359, 362, 388, 368, 396.1, 505, 543,
D7/549, 550.1, 554.3, 586, 698-699;
D10/87; D32/55-57

CPC A47J 47/00; A47J 47/005; A47J 47/20;
B26D 7/0006; B26D 7/018; B26D 7/20;
B23D 21/00; B23K 37/04; B23K 37/053;
B23Q 16/001; A45C 11/20; A47G 19/30;
A47G 23/06

See application file for complete search history.

(56) **References Cited**

U.S. PATENT DOCUMENTS

D505,347 S	*	5/2005	Huang	D10/87
D616,700 S	*	6/2010	Pourounidis	D7/698
D871,171 S	*	12/2019	Xue	D7/698
D883,044 S	*	5/2020	Poon	D7/698
D909,154 S	*	2/2021	Whitlock	D7/698
D939,297 S	*	12/2021	Li	D7/698
D939,298 S	*	12/2021	Li	D7/698
D946,364 S		3/2022	Wang		
D963,433 S	*	9/2022	Li	D7/698
D964,824 S	*	9/2022	Li	D7/698
D964,825 S		9/2022	Hou		
D965,396 S		10/2022	Xie		

D968,915 S	*	11/2022	Li	D7/698
D1,003,659 S	*	11/2023	Li	D7/505
2022/0287492 A1	*	9/2022	Siek	A47G 23/06

OTHER PUBLICATIONS

UTCG Store Cheese Board Charcuterie Gift Folding. Date First Available on Amazon.com Nov. 7, 2023. <https://www.amazon.com/Cheese-Board-Charcuterie-Gift-Folding/dp/B0CKV9Q88Q/ref> (Year: 2023).*

* cited by examiner

Primary Examiner — Ricky Pham

(74) *Attorney, Agent, or Firm* — Jose Cherson Weissbrot

(57) **CLAIM**

The ornamental design for a cheese board, as shown and described.

DESCRIPTION

FIG. 1 is a first perspective view of a cheese board showing my new design;

FIG. 2 is a second perspective view thereof;

FIG. 3 is a front view thereof;

FIG. 4 is a back view thereof;

FIG. 5 is a left side view thereof;

FIG. 6 is a right side view thereof;

FIG. 7 is a top view thereof;

FIG. 8 is a bottom view thereof;

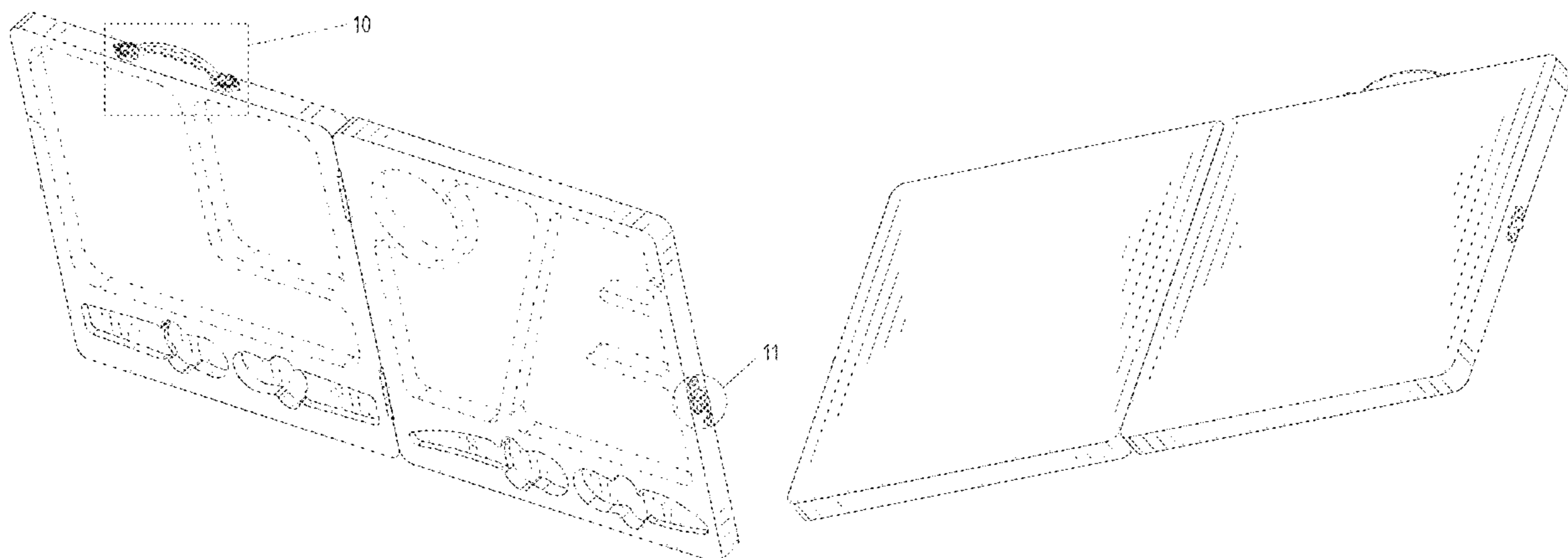
FIG. 9 is a perspective view of another state of the cheese board thereof;

FIG. 10 is an enlarged view of the selected portion 10 in FIG. 1; and,

FIG. 11 is an enlarged view of the selected portion 11 in FIG. 1.

The broken lines shown in the drawings depict portions of the cheese board that form no part of the claimed design.

1 Claim, 11 Drawing Sheets



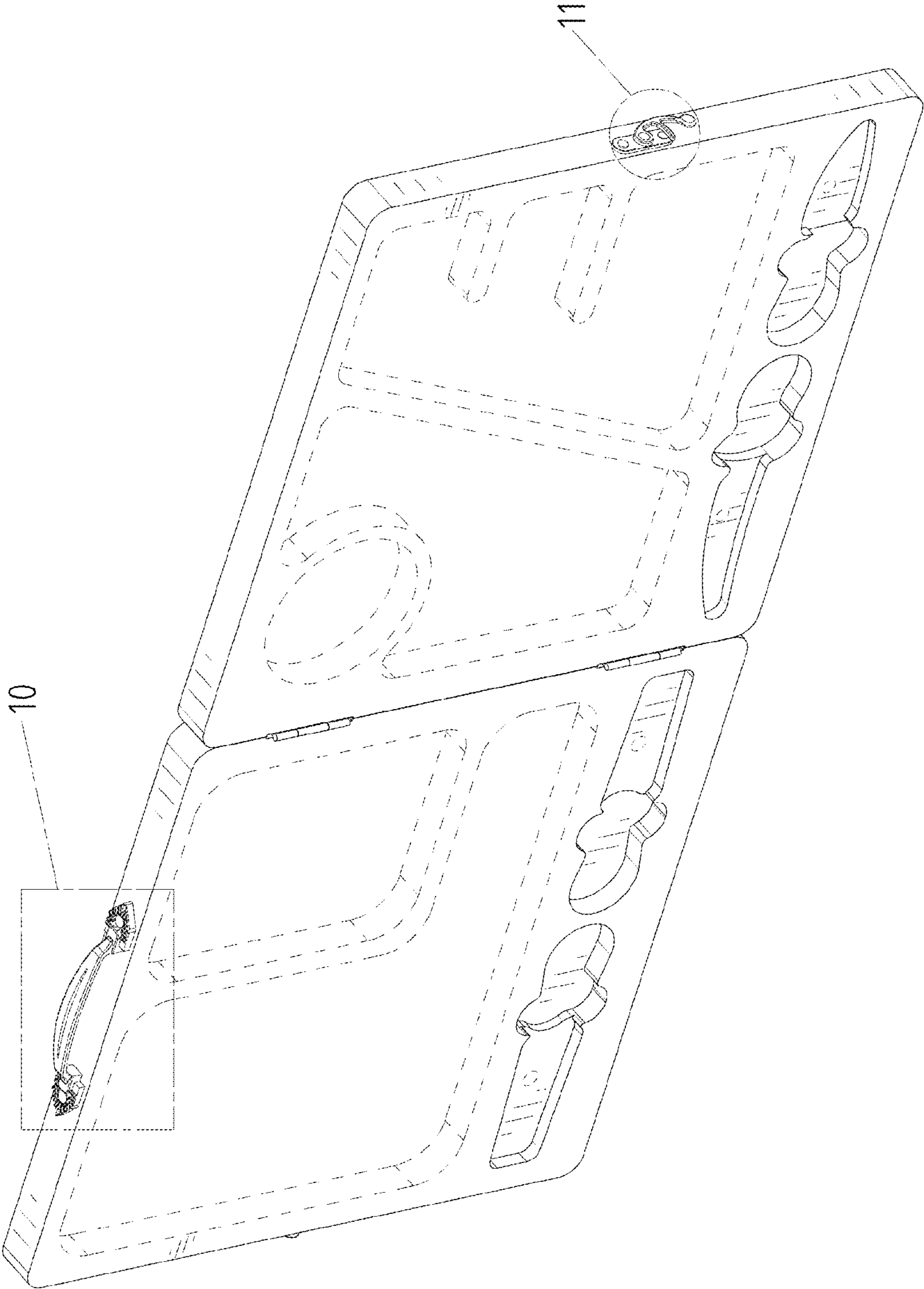


FIG. 1

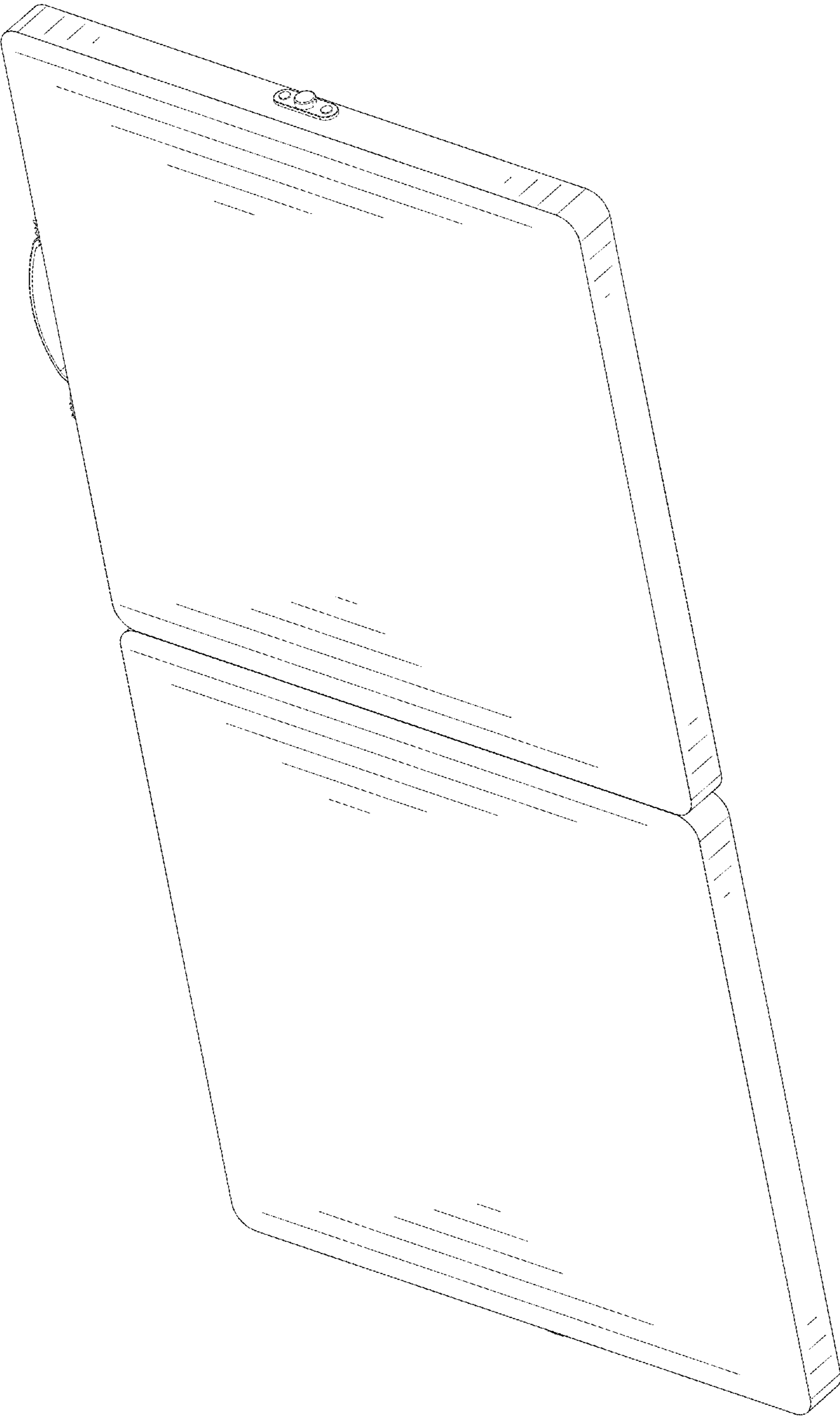


FIG. 2

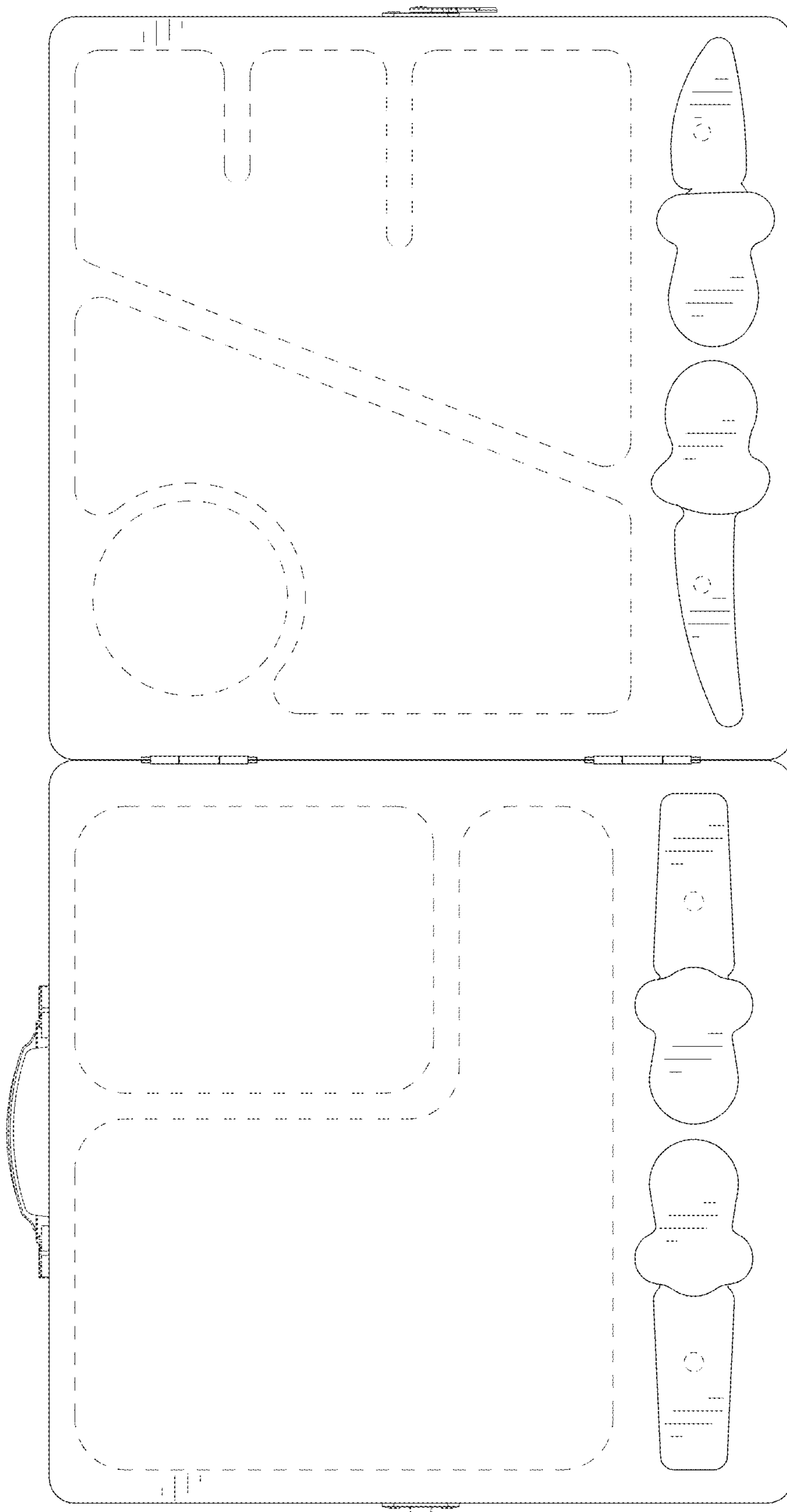


FIG. 3

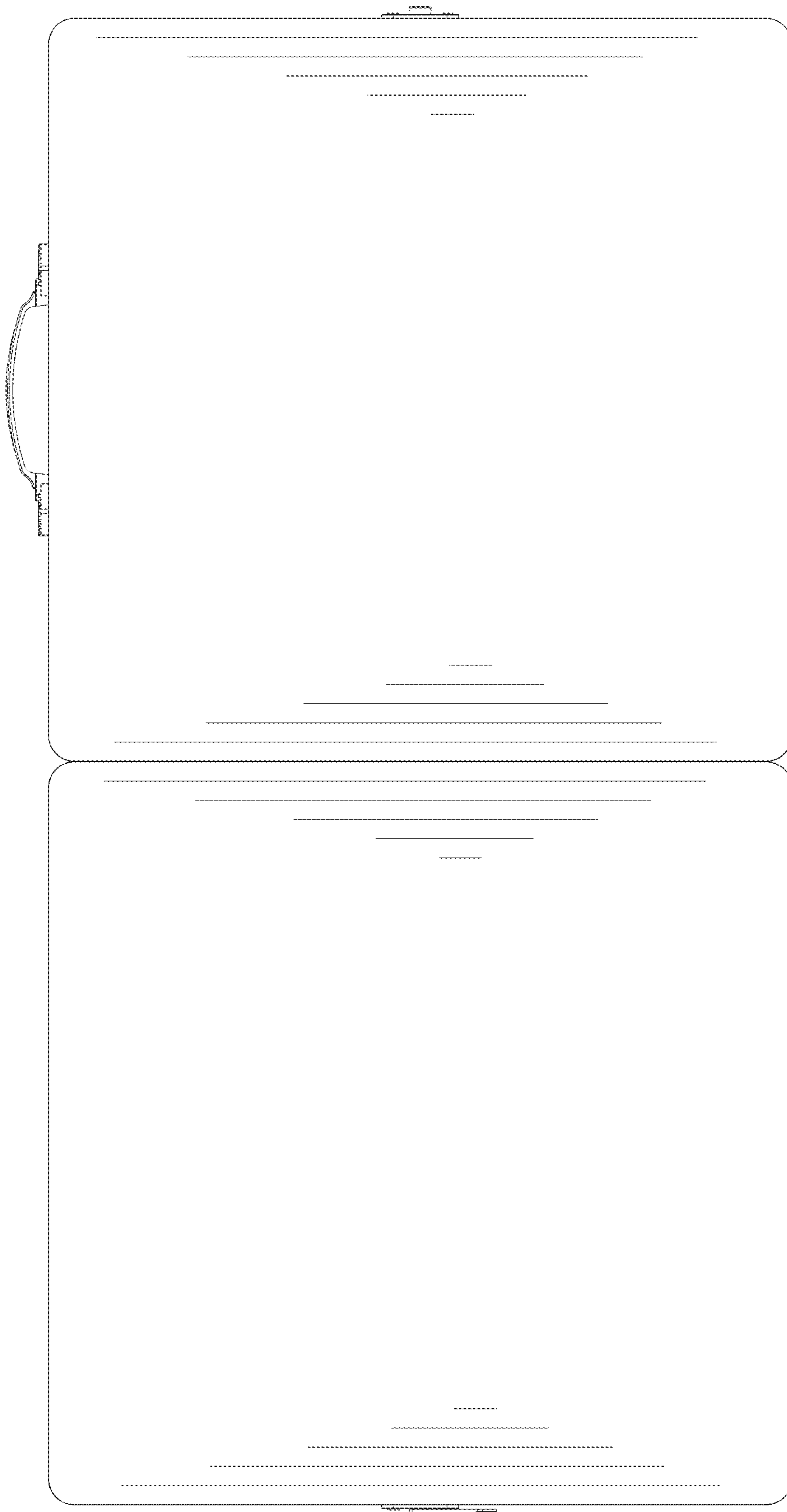


FIG. 4

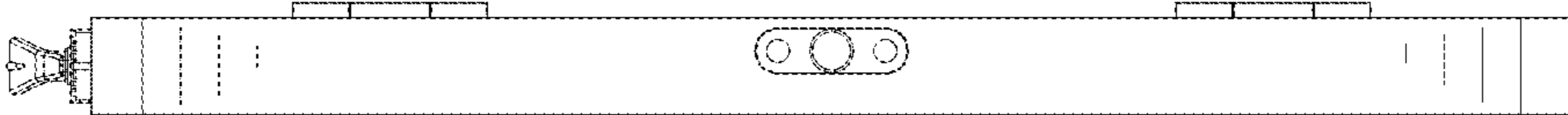


FIG. 5

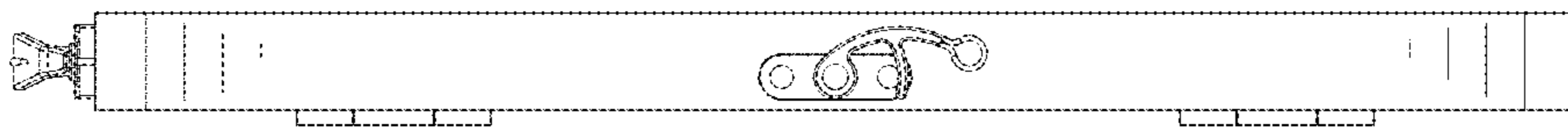


FIG. 6

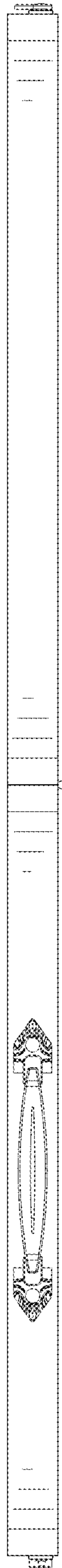


FIG. 7

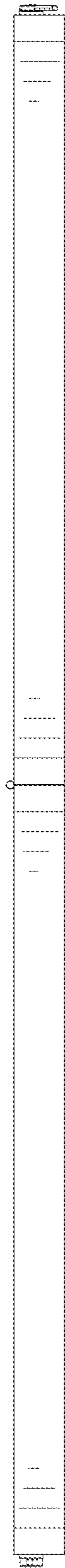


FIG. 8

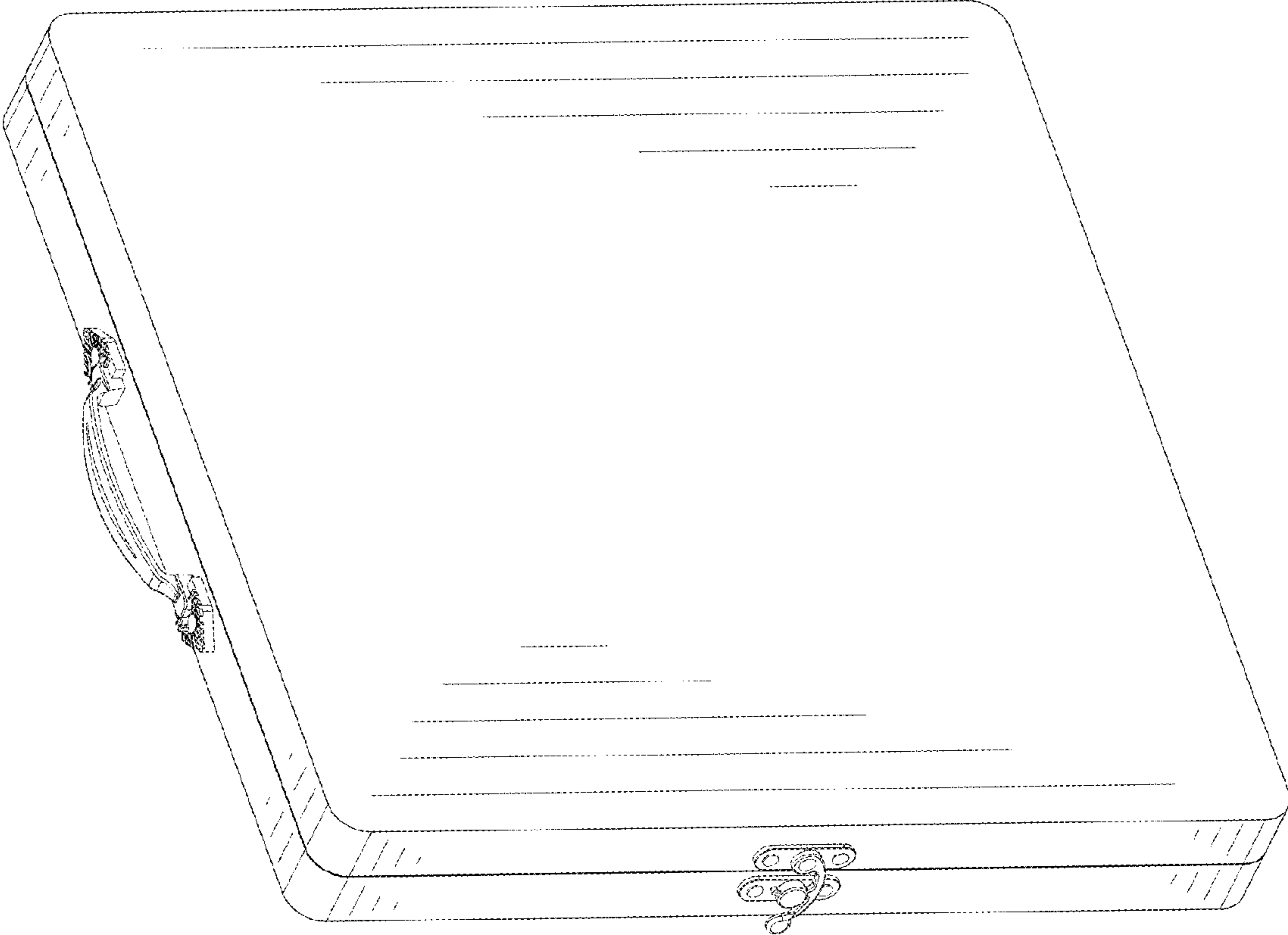


FIG. 9

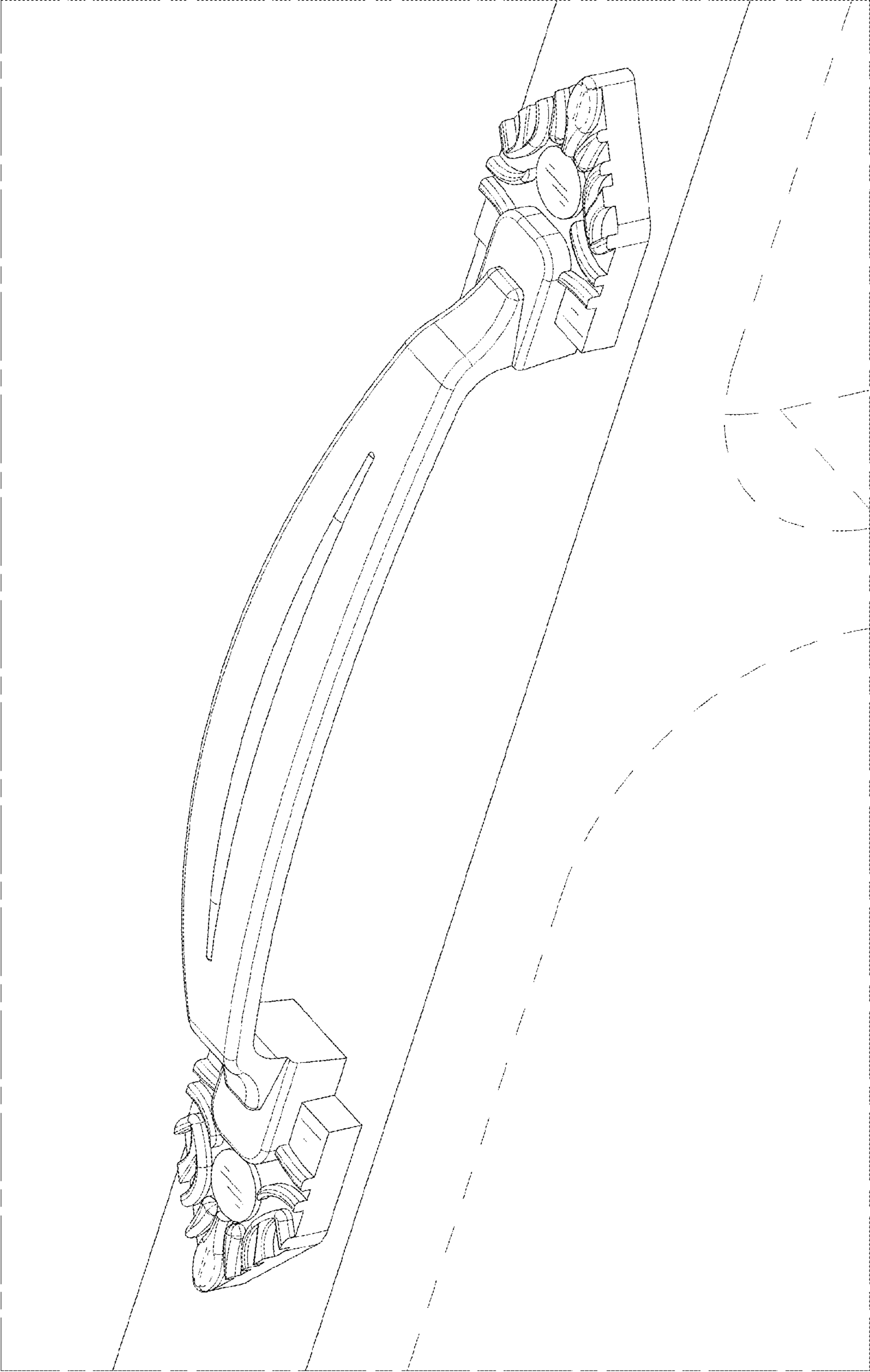


FIG. 10

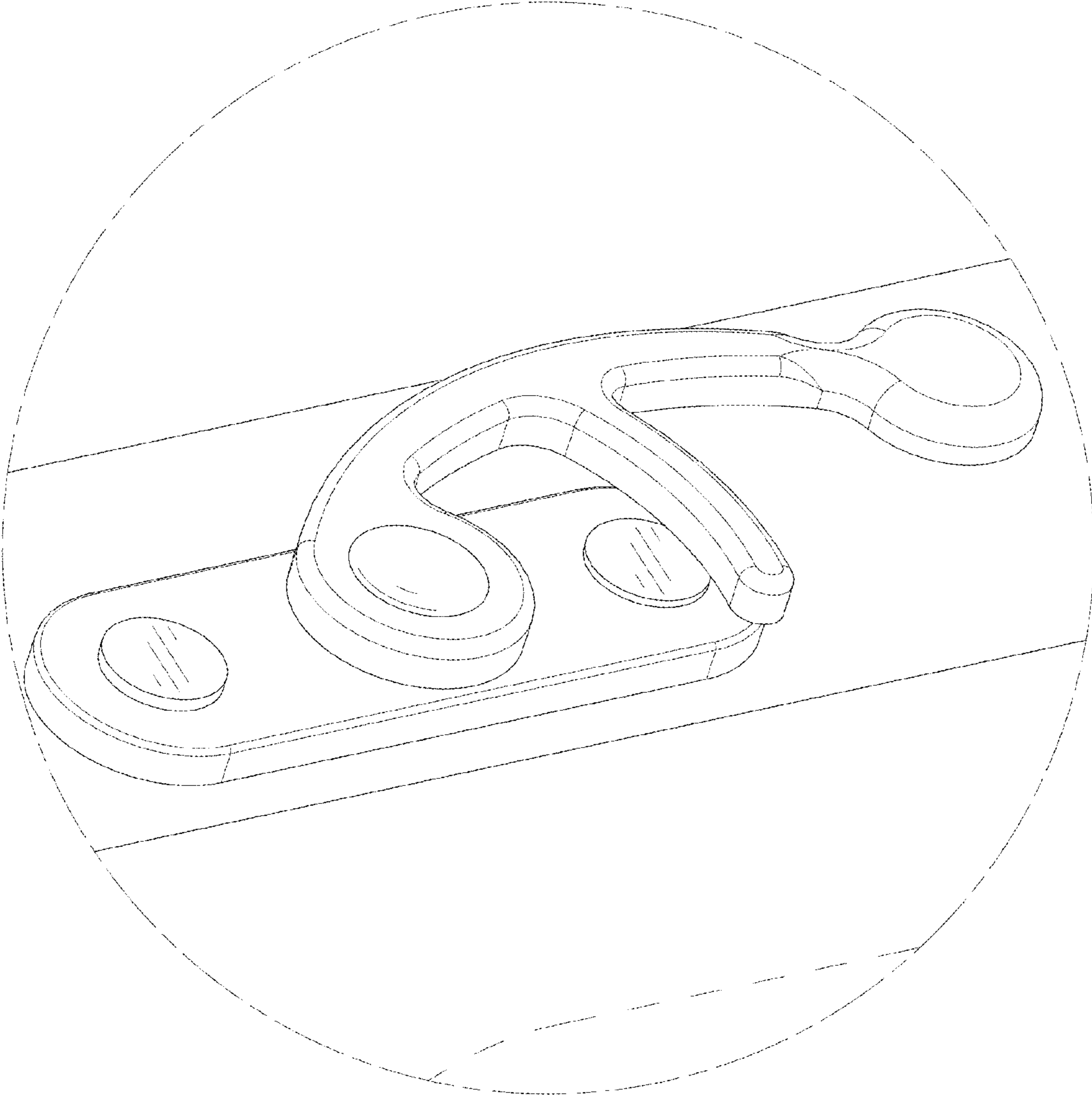


FIG. 11