



US0D1045541S

(12) **United States Design Patent**
Zhang

(10) **Patent No.:** **US D1,045,541 S**

(45) **Date of Patent:** **** Oct. 8, 2024**

(54) **BAMBOO CHEESE BOARD**

(71) Applicant: **Zhihang Zhang**, Shenzhen (CN)

(72) Inventor: **Zhihang Zhang**, Shenzhen (CN)

(**) Term: **15 Years**

(21) Appl. No.: **29/923,733**

(22) Filed: **Jan. 2, 2024**

(51) **LOC (14) Cl.** **07-04**

(52) **U.S. Cl.**
USPC **D7/698**

(58) **Field of Classification Search**
USPC D7/359, 362, 368, 396.1, 543, 549,
D7/550.1, 554.3, 586, 698-699;
D32/55-57
CPC A47J 47/00; A47J 47/005; A47J 47/20;
A47J 43/25; B26D 7/0006; B26D 7/018;
B26D 7/20; B23D 21/00; B23K 37/04;
B23K 37/053; B23Q 16/001; A45C
11/20; A47G 19/30; A47G 23/08
See application file for complete search history.

(56) **References Cited**

U.S. PATENT DOCUMENTS

D304,277 S *	10/1989	Wolff	D7/698
5,894,944 A *	4/1999	Swift	A47G 23/08
				211/133.4
6,371,470 B1 *	4/2002	Ward	A47J 47/005
				269/302.1
7,252,255 B2 *	8/2007	Cornfield	A47J 47/005
				269/291
D598,252 S *	8/2009	West	D7/698
8,596,450 B2 *	12/2013	Henry	A47G 19/30
				206/216
D764,861 S *	8/2016	Lee	D7/352
10,206,540 B2 *	2/2019	Kamensky	A47J 43/25
D846,363 S	4/2019	Agahian et al.		
D906,067 S *	12/2020	Alsofi	D7/698

D941,102 S *	1/2022	Whitlock	D7/698
D964,823 S *	9/2022	Li	D7/698
D964,825 S	9/2022	Hou		
D965,396 S	10/2022	Xie		
2005/0039607 A1 *	2/2005	Comfield	A47J 47/005
				99/324
2010/0012616 A1 *	1/2010	Guy	A45C 11/20
				29/700

OTHER PUBLICATIONS

UTCG Store Cheese Boards Charcuterie Gift Swivel. Date First Available on Amazon.com Nov. 13, 2023. [https://www.amazon.com/Cheese-Boards-Charcuterie-Gift-Swivel/dp/B0CKVZKFWB/ref \(Year: 2023\).](https://www.amazon.com/Cheese-Boards-Charcuterie-Gift-Swivel/dp/B0CKVZKFWB/ref (Year: 2023).)*

* cited by examiner

Primary Examiner — Ricky Pham

(74) *Attorney, Agent, or Firm* — Jose Cherson Weissbrot

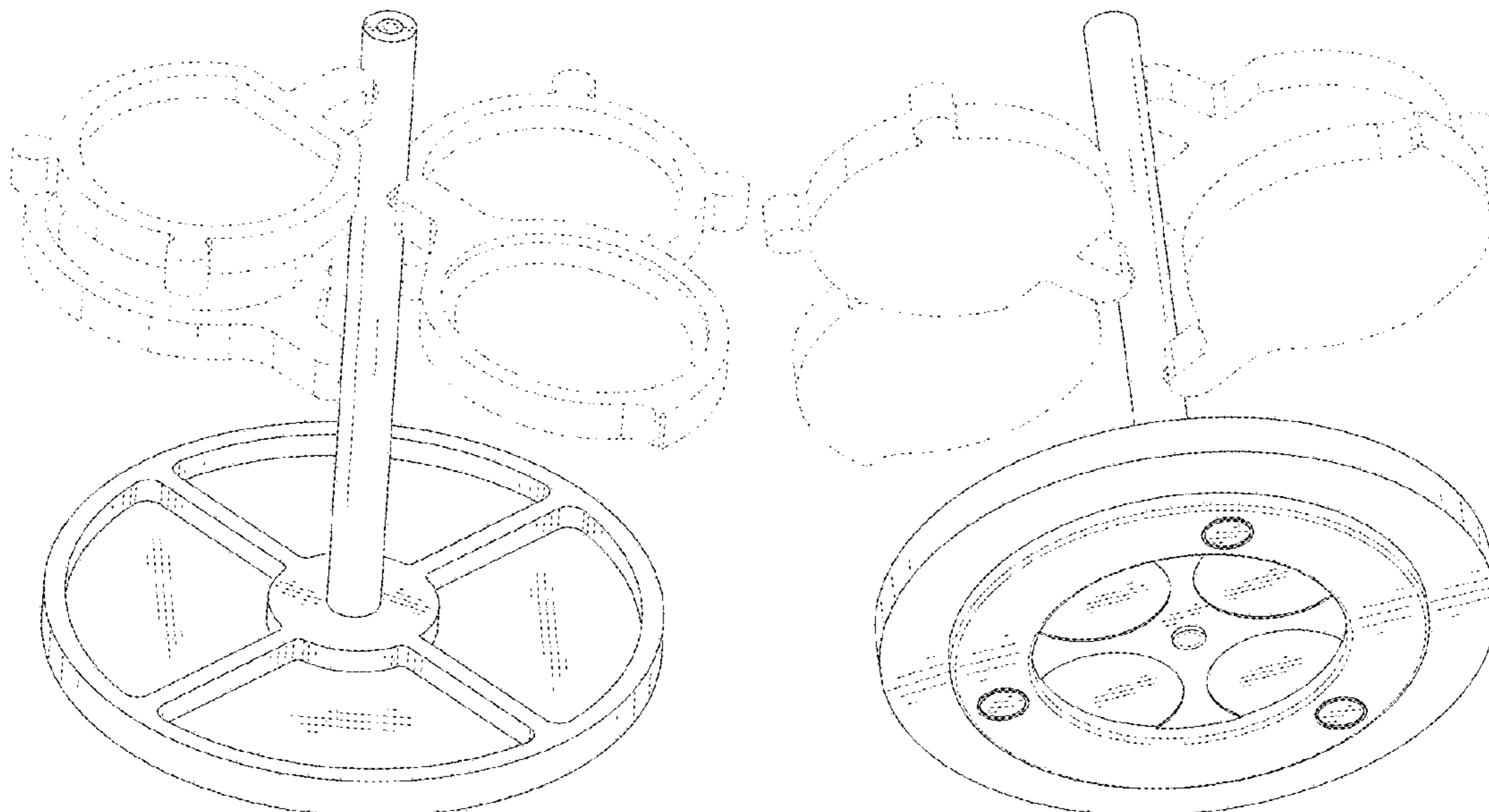
(57) **CLAIM**

The ornamental design for a bamboo cheese board, as shown and described.

DESCRIPTION

FIG. 1 is a first perspective view of a bamboo cheese board showing my new design;
FIG. 2 is a second perspective view thereof;
FIG. 3 is a front view thereof;
FIG. 4 is a back view thereof;
FIG. 5 is a left side view thereof;
FIG. 6 is a right side view thereof;
FIG. 7 is a top view thereof; and,
FIG. 8 is a bottom view thereof.
The broken lines shown in the drawings depict portions of the bamboo cheese board that form no part of the claimed design.

1 Claim, 8 Drawing Sheets



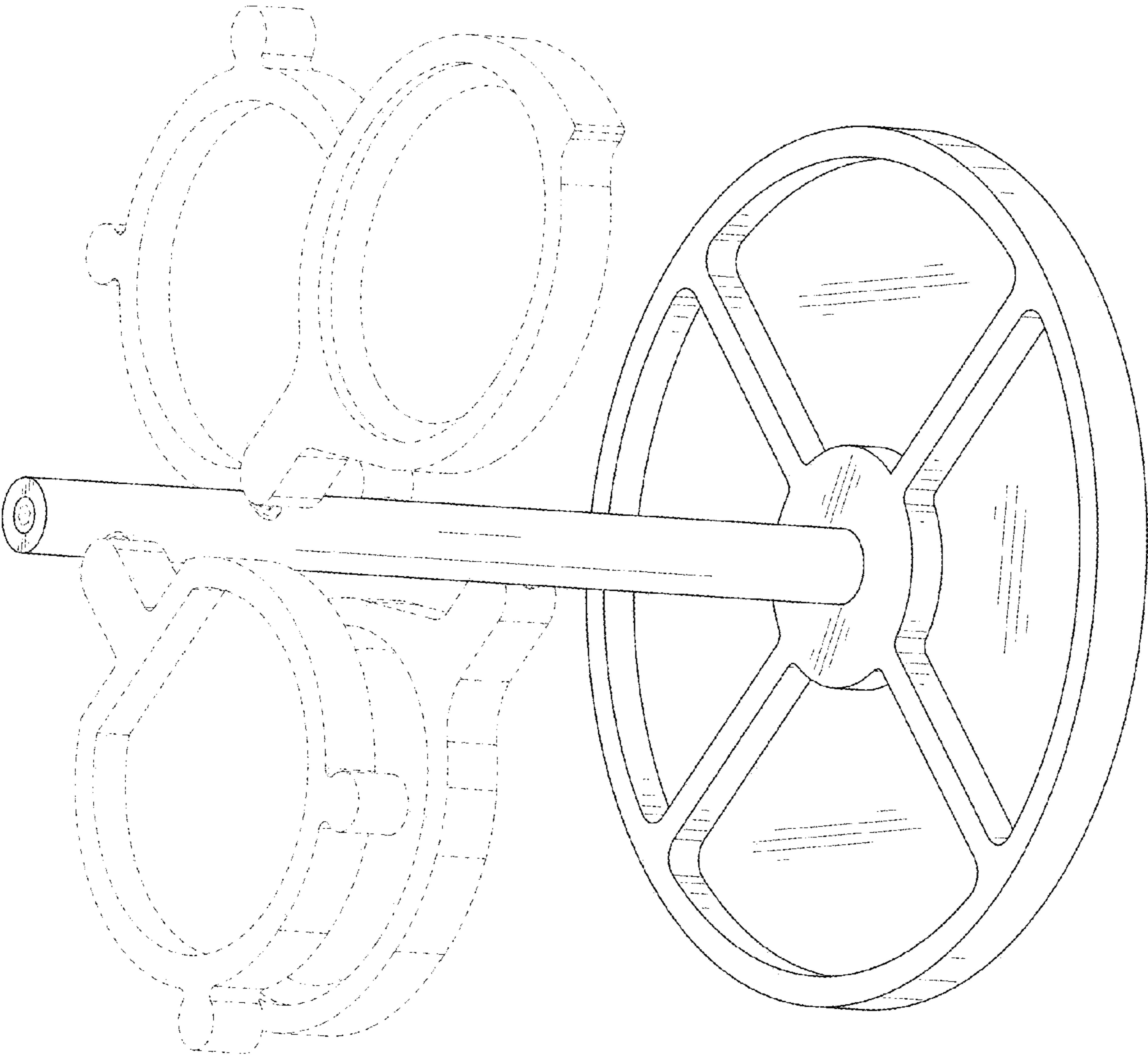


FIG. 1

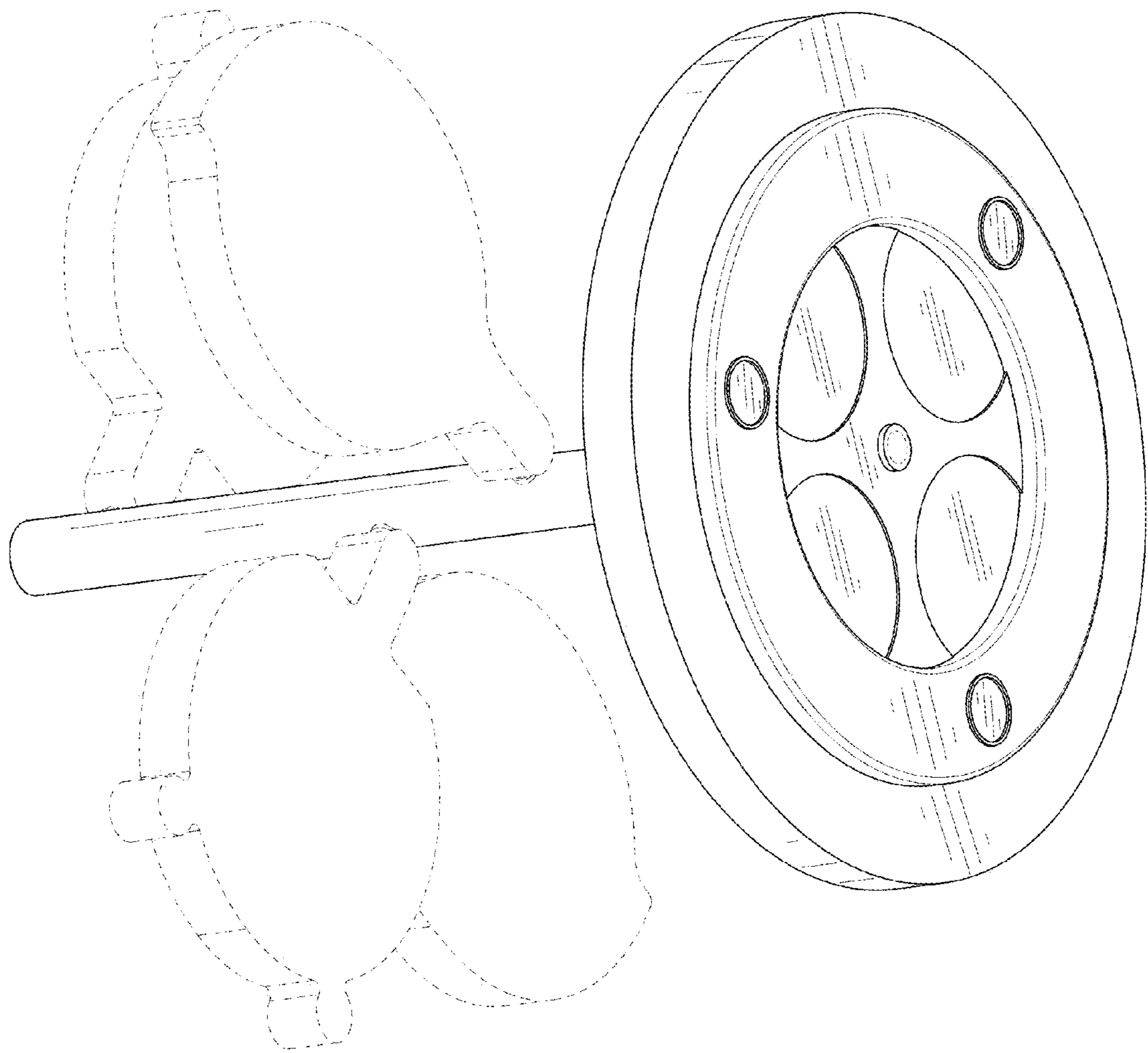


FIG. 2

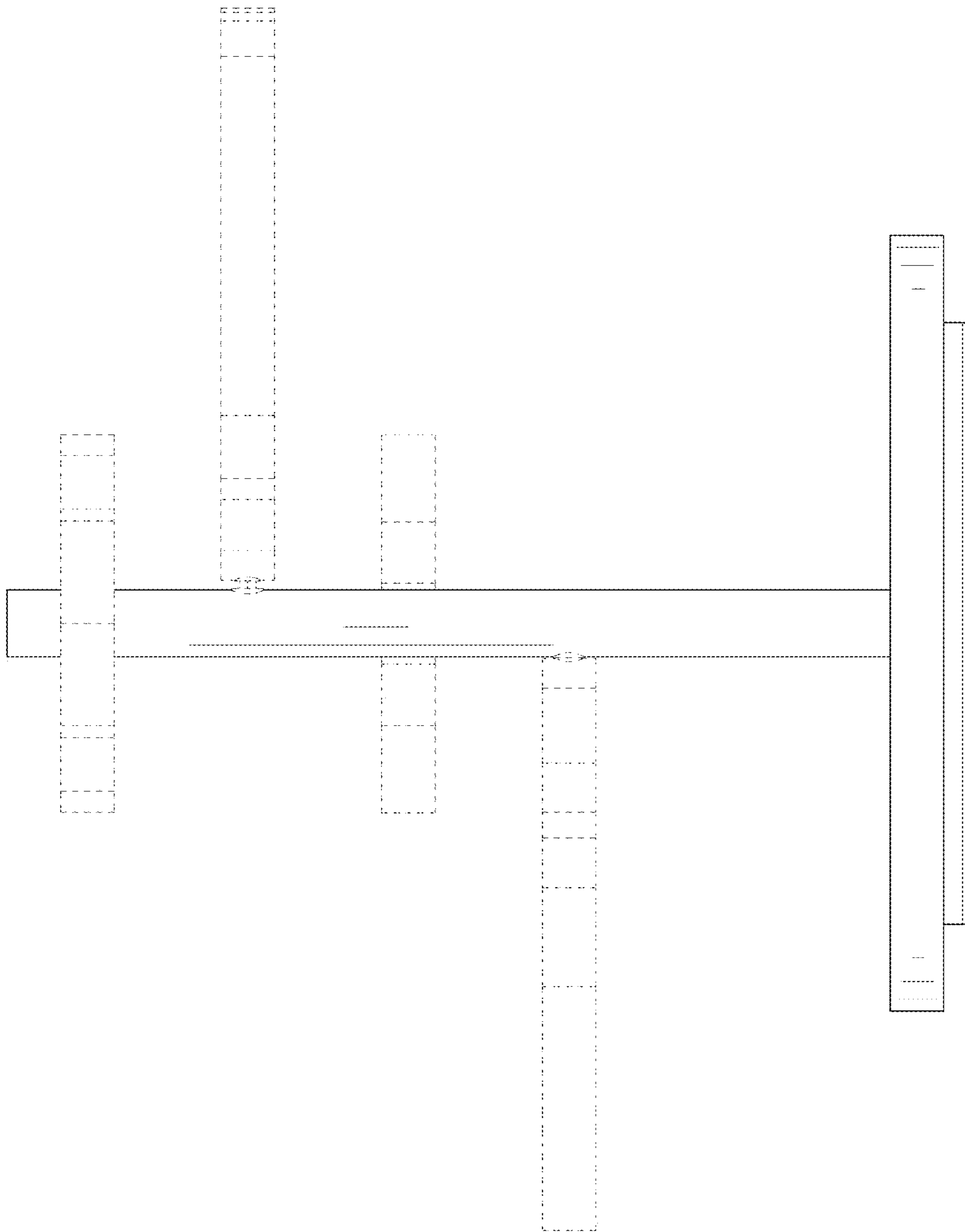


FIG. 3

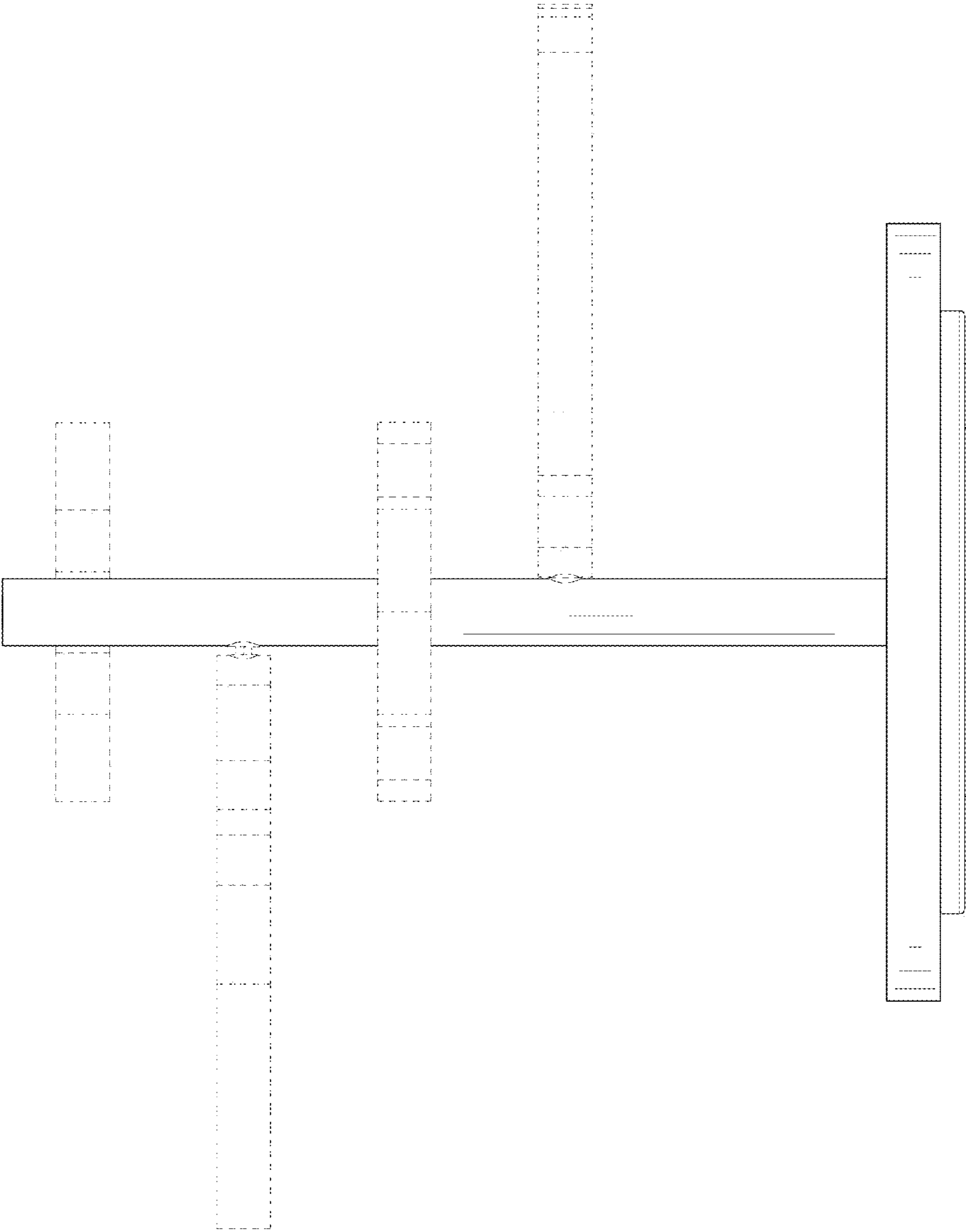


FIG. 4

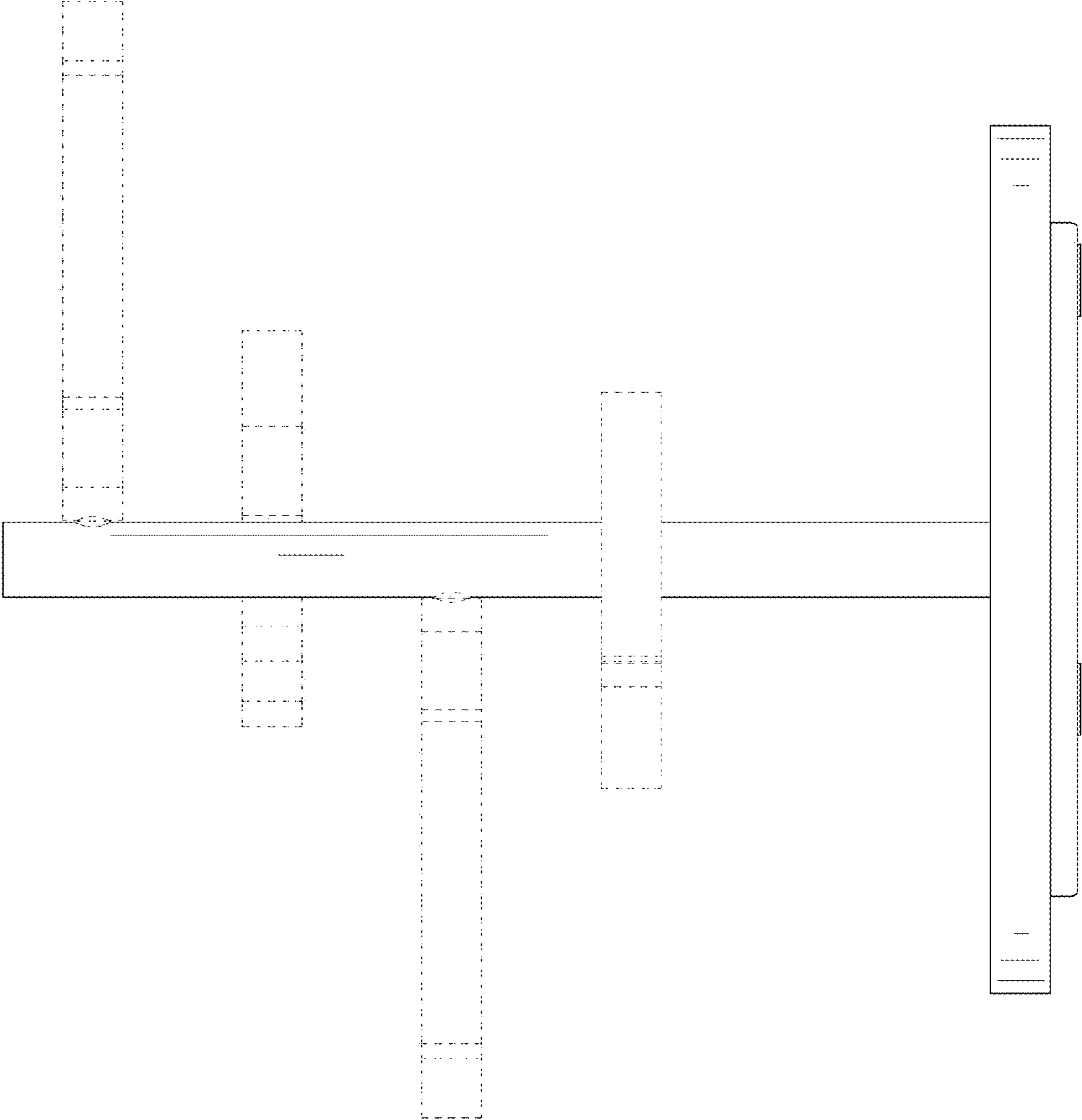


FIG. 5

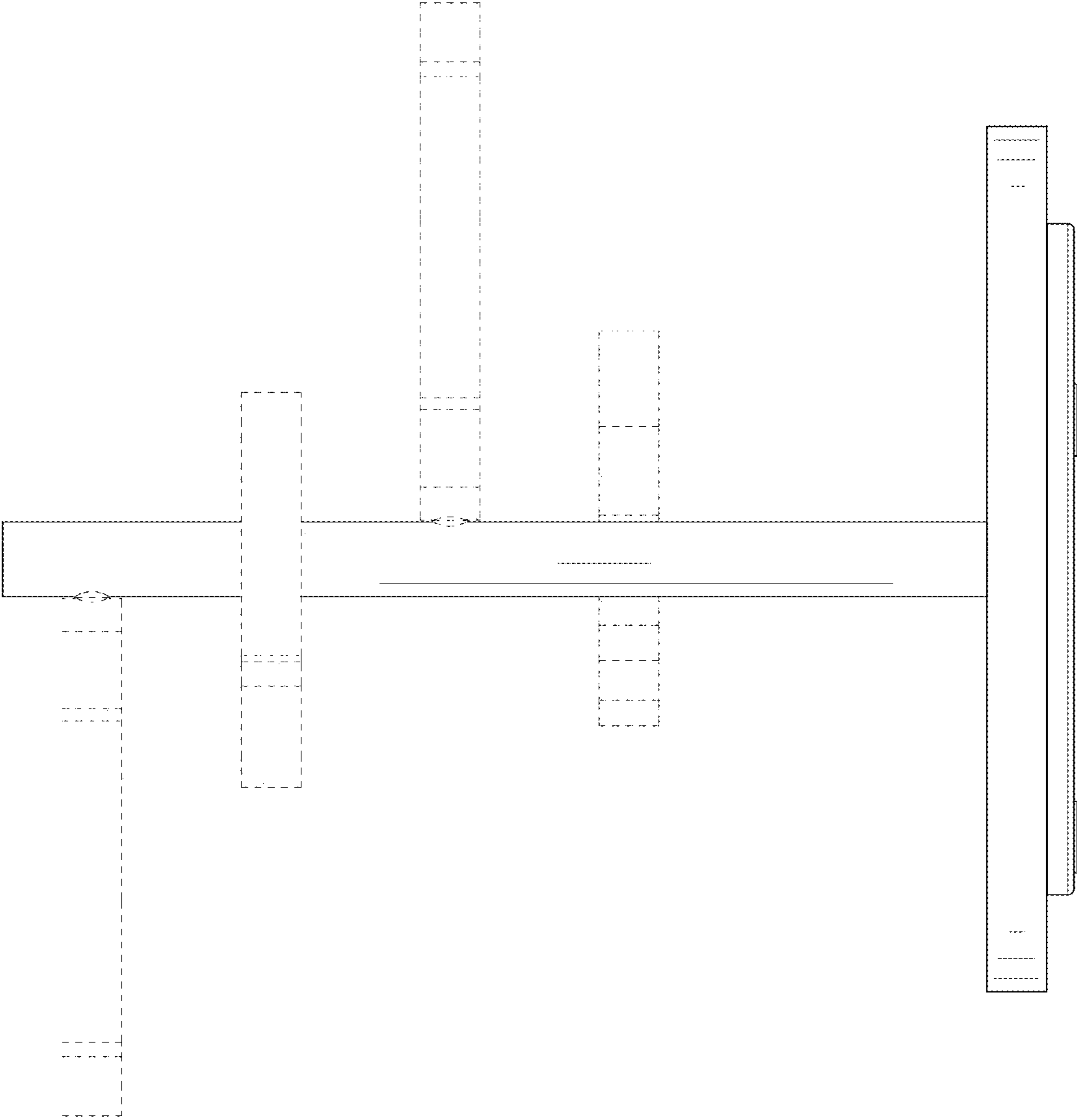


FIG. 6

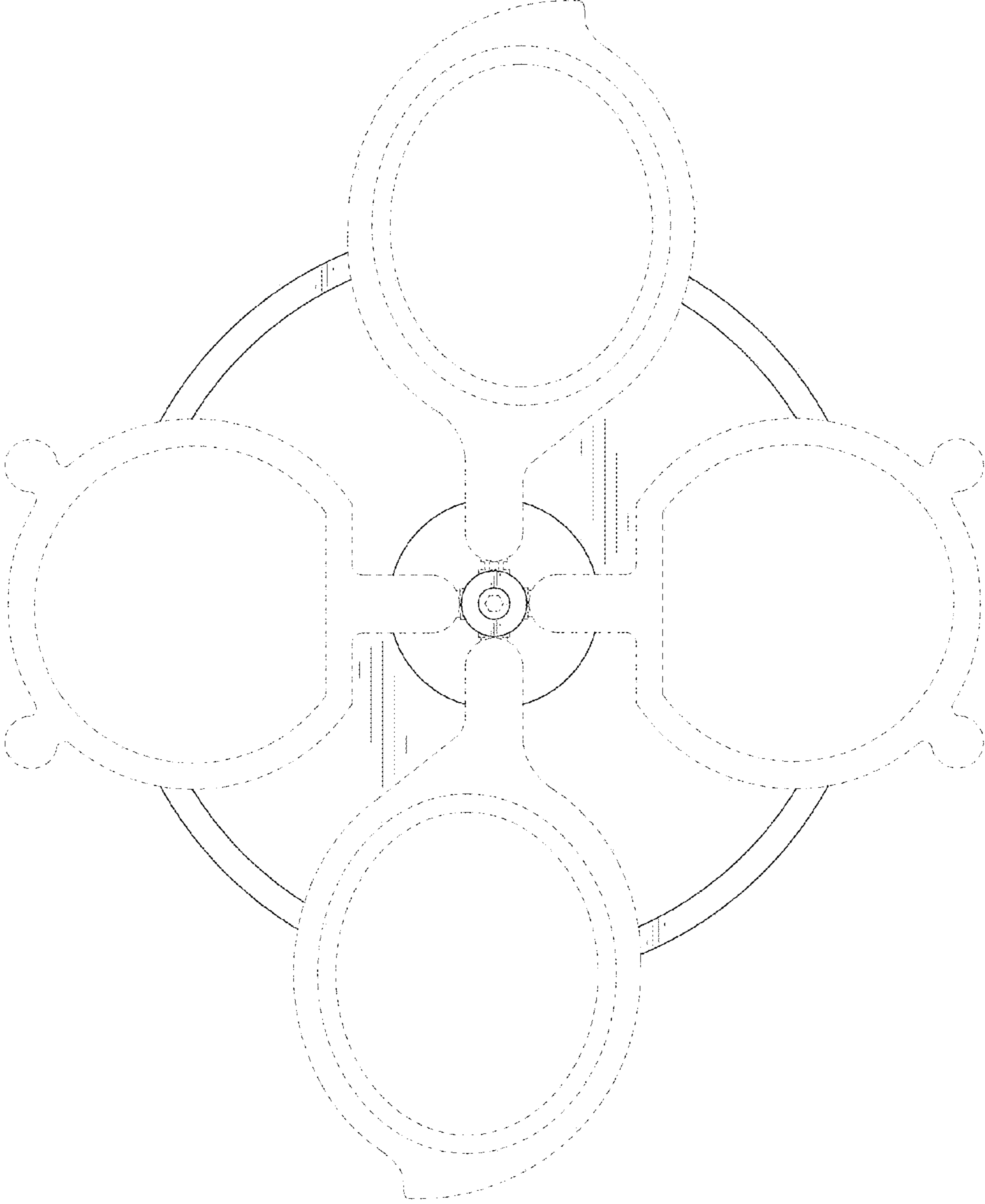


FIG. 7

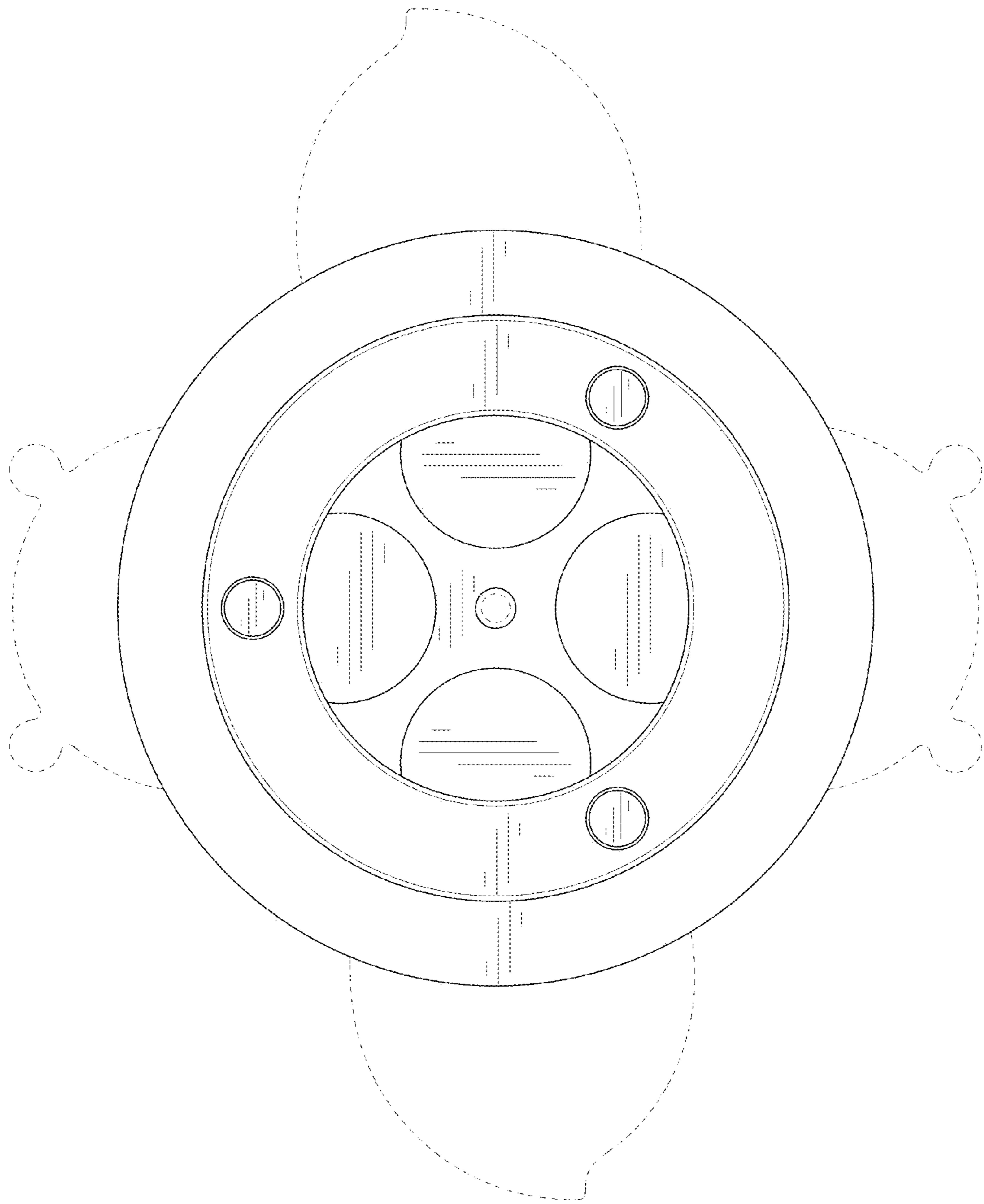


FIG. 8