

US0D1045502S

(12) **United States Design Patent** (10) **Patent No.: US D1,045,502 S**  
**Weilert et al.** (45) **Date of Patent: \*\* Oct. 8, 2024**

(54) **OVEN**  
(71) Applicant: **SOLO BRANDS, LLC**, Grapevine, TX (US)  
(72) Inventors: **Jeffrey R. Weilert**, Southlake, TX (US); **Alexander K. Maghsadi**, Lewisville, TX (US)  
(73) Assignee: **SOLO BRANDS, LLC**, Grapevine, TX (US)

*Primary Examiner* — Catherine Ho  
*Assistant Examiner* — Natalya M Rapundalo  
(74) *Attorney, Agent, or Firm* — HAYNES AND BOONE, LLP

(\*\*) Term: **15 Years**  
(21) Appl. No.: **29/866,536**  
(22) Filed: **Sep. 16, 2022**  
(51) **LOC (14) Cl.** ..... **07-02**  
(52) **U.S. Cl.**  
USPC ..... **D7/402**  
(58) **Field of Classification Search**  
USPC ..... D7/323, 332, 334, 337, 339, 347, 348, D7/350.1, 350.4, 402, 405; D23/343, 348  
(Continued)

(57) **CLAIM**  
The ornamental design for an oven, as shown and described.

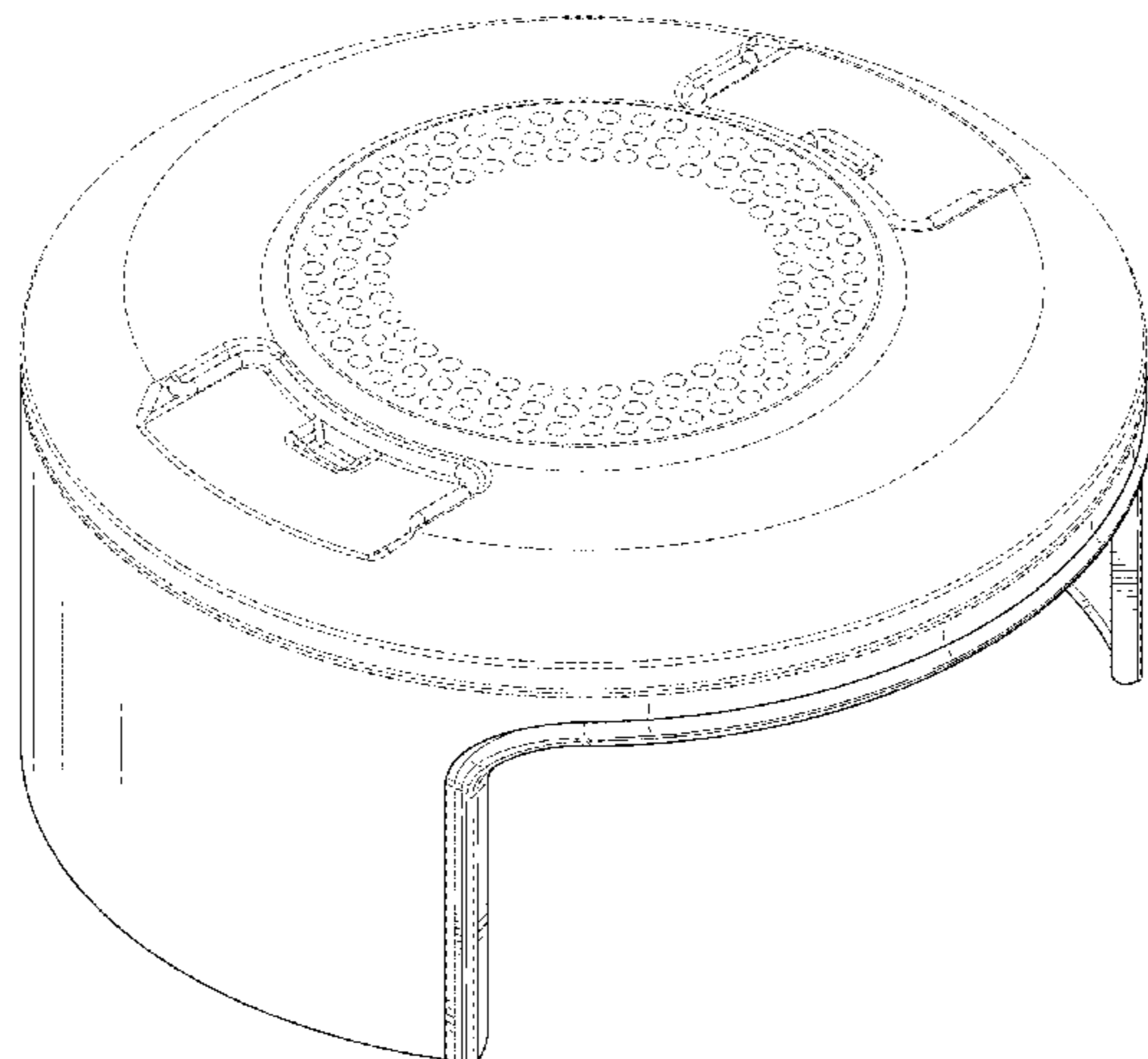
(56) **References Cited**  
**U.S. PATENT DOCUMENTS**  
634,959 A 10/1899 Rehmann  
1,895,230 A 1/1933 Needham  
(Continued)  
**FOREIGN PATENT DOCUMENTS**  
CN 110505824 A 11/2019  
CN 114504254 A 5/2022  
(Continued)

**DESCRIPTION**  
FIG. 1 is a top perspective view of an oven showing our new design according to a first embodiment;  
FIG. 2 is a front view of the first embodiment;  
FIG. 3 is a rear view of the first embodiment;  
FIG. 4 is a left side view of the first embodiment;  
FIG. 5 is a right side view of the first embodiment;  
FIG. 6 is a top view of the first embodiment;  
FIG. 7 is a bottom view of the first embodiment;  
FIG. 8 is another top rear perspective view of the first embodiment;  
FIG. 9 is a top perspective view of the first embodiment shown in an environment of use;  
FIG. 10 is a front view of the first embodiment shown in an environment of use; and,  
FIG. 11 is a front view of the oven showing our new design according to a second embodiment, the second embodiment being identical to the first embodiment except that the second embodiment has a symbolic break in its height as indicated in FIG. 11.  
The evenly-dashed broken lines in FIGS. 9 and 10 showing a fire pit, supporting legs, and a cooking surface, represent environment and form no part of the claimed design. All other evenly-dashed broken lines in FIGS. 1-11 show portions of the oven and form no part of the claimed design. The dash-dot broken lines define the bounds of the claimed design and form no part of the claimed design.  
In FIG. 11, the second embodiment of the oven is shown with a symbolic break in its height; the appearance of any portion of the article between the break lines forms no part of the claimed design.

**OTHER PUBLICATIONS**  
Onlyfire Stainless Steel Pizza Oven Kit for 22 Inch Charcoal Kettle Grill, first available Oct. 31, 2018, Amazon, [online], [site visited Jan. 31, 2024], Available from internet URL: <https://www.amazon.com/only-fire-Stainless-Charcoal-Kettle/dp/B07LC5VZWR> (Year: 2018).\*

(Continued)

**1 Claim, 9 Drawing Sheets**



(58) **Field of Classification Search**

CPC ..... A47J 37/0623; A47J 37/0629; A47J 37/0635; A47J 37/0641; A47J 37/0647; A47J 37/0652; A47J 37/0658; A47J 37/0664; A47J 37/07; A47J 37/0704; A47J 37/0718; A47J 37/0763; A47J 37/0781; A47J 37/0786

See application file for complete search history.

2004/0247762	A1	12/2004	Xu	
2007/0114220	A1	5/2007	De Longhi	
2008/0135037	A1	6/2008	Hards	
2009/0000493	A1	1/2009	Mosher, II	
2013/0068112	A1	3/2013	Ho	
2013/0276643	A1*	10/2013	Krolick .....	F24B 1/003 99/447
2014/0196609	A1	7/2014	Snyman	
2014/0216434	A1	8/2014	Moreth, III	
2016/0324165	A1	11/2016	Li	
2018/0213973	A1	8/2018	Tapaninaho	
2018/0228169	A1	8/2018	Froelicher	
2019/0101324	A1	4/2019	Cubeiro Martinez	
2019/0142215	A1	5/2019	Popeil	
2019/0170365	A1	6/2019	Choi	
2019/0195506	A1	6/2019	Tseng	
2019/0231123	A1*	8/2019	Borovicka .....	A47J 37/0718
2019/0246835	A1	8/2019	Tsai	
2020/0077839	A1	3/2020	Dahle	
2020/0345176	A1	11/2020	Bert	
2021/0076874	A1	3/2021	Tapaninaho	
2021/0161151	A1	6/2021	Thorogood	
2021/0361114	A1	11/2021	Gozney	
2021/0369051	A1	12/2021	Thorogood	
2022/0061588	A1	3/2022	Yan	
2022/0142404	A1	5/2022	Conrad	
2022/0192421	A1	6/2022	Bert	
2022/0240716	A1	8/2022	Costa Marques	
2022/0304505	A1	9/2022	Tapaninaho	
2022/0322877	A1	10/2022	Greer	
2023/0099933	A1*	3/2023	Weilert .....	F24B 1/22 126/25 R
2023/0151967	A1*	5/2023	Weilert .....	F24B 3/00 126/59
2024/0081580	A1*	3/2024	Weilert .....	F24B 1/003

(56)

**References Cited**

U.S. PATENT DOCUMENTS

2,898,437	A	8/1959	McFarland	
3,425,364	A	2/1969	Martin, Jr.	
4,506,652	A	3/1985	Baker	
4,538,050	A	8/1985	Willett	
5,119,719	A	6/1992	Depasquale	
5,205,274	A	4/1993	Smith	
5,378,872	A	1/1995	Jovanovic	
5,492,055	A	2/1996	Nevin	
5,539,184	A	7/1996	Su	
6,119,584	A	9/2000	Hsu	
6,244,163	B1	6/2001	Lee	
6,250,210	B1	6/2001	Moreth	
6,257,128	B1	7/2001	Chen	
6,265,697	B1	7/2001	Sen	
6,418,835	B1	7/2002	Lin	
6,437,291	B1	8/2002	Hopponen	
6,450,087	B2	9/2002	Backus	
6,745,758	B1	6/2004	Minidis	
6,802,247	B1	10/2004	Lee	
6,809,297	B2	10/2004	Moon	
7,021,204	B2	4/2006	Backus	
7,138,609	B2	11/2006	Popeil	
7,173,217	B2	2/2007	De Longhi	
7,325,484	B1	2/2008	Backus	
7,655,884	B2	2/2010	Engelhardt	
7,686,010	B2	3/2010	Gustavsen	
7,739,948	B2	6/2010	Backus	
7,823,577	B1	11/2010	Babjak	
8,578,927	B2	11/2013	Gustavsen	
D725,430	S *	3/2015	Krolick .....	D7/323
9,182,129	B2	11/2015	Dahle	
9,198,436	B2	12/2015	Cook	
D764,868	S *	8/2016	Krolick .....	D7/409
9,795,147	B2	10/2017	Hegarty	
9,848,731	B2	12/2017	Dahle	
D816,401	S *	5/2018	Chung .....	D7/402
9,995,492	B2	6/2018	Froelicher	
10,012,392	B2	7/2018	Froelicher	
10,105,008	B2	10/2018	Contarino, Jr.	
D845,055	S *	4/2019	Goodwin .....	D7/323
D849,466	S *	5/2019	Formisano .....	D7/348
10,413,123	B2	9/2019	Dahle	
10,420,347	B2	9/2019	Hegarty	
10,477,867	B2	11/2019	Froelicher	
10,524,616	B2	1/2020	Contarino, Jr.	
10,575,680	B2	3/2020	Fagg	
10,624,353	B1	4/2020	Langley	
D893,256	S *	8/2020	Pruitt .....	D7/409
10,788,266	B2	9/2020	Tseng	
10,823,425	B2	11/2020	Tseng	
10,823,426	B2	11/2020	Tseng	
10,842,315	B1	11/2020	Swinney	
10,912,307	B2	2/2021	Moretti	
10,920,988	B2	2/2021	Tseng	
10,920,989	B2	2/2021	Tseng	
10,941,945	B2	3/2021	Tapaninaho	
10,973,369	B2	4/2021	Zhang	
11,076,718	B2	8/2021	Borovicka	
11,224,228	B1	1/2022	Langley	
D947,591	S *	4/2022	Gozney .....	D7/332
11,399,658	B2	8/2022	Tapaninaho	
11,464,233	B2	10/2022	Gozney	
11,464,234	B2	10/2022	Hegarty	
D974,112	S *	1/2023	Weilert .....	D7/409
D1,000,191	S *	10/2023	Gozney .....	D7/402

FOREIGN PATENT DOCUMENTS

CN	216534992	U	5/2022
CN	216776757	U	6/2022
CN	216876048	U	7/2022
CN	217161842	U	8/2022
CN	217338293	U	9/2022
CN	217447451	U	9/2022
CN	217524738	U	10/2022
CN	217609218	U	10/2022
CN	217610598	U	10/2022
CN	217610635	U	10/2022
CN	217696131	U	11/2022
CN	217772091	U	11/2022
DE	202004006450	U1	8/2004
EM	015013320-0001	*	3/2023
EP	3735879	B1	11/2020
EP	4014807	A1	6/2022
FR	2579869	A1	10/1986
FR	2732558	A1	10/1996
GB	2263764	B	8/1993
GB	2545929	B	7/2017
GB	2559161	A	8/2018
GB	2571785	A	9/2019
GB	2572380	A	10/2019
GB	2572697	A	10/2019
GB	2592290	A	8/2021
GB	2593439	A	9/2021
GB	2593440	A	9/2021
GB	2597628	A	2/2022
GB	2602928	A	7/2022
WO	9955210	A1	11/1999
WO	2019193370	A1	10/2019
WO	2021165198	A1	8/2021
WO	2021165200	A1	8/2021
WO	2021165261	A1	8/2021
WO	2021165706	A2	8/2021

OTHER PUBLICATIONS

Solo Stove Bonfire Pi Fire, first available Jul. 4, 2023, Amazon, [online], [site visited Jan. 30, 2024], Available from internet URL:



(56)

**References Cited**

OTHER PUBLICATIONS

<https://www.amazon.com/Solo-Stove-Pi-Fire-Cordierite/dp/B0BLZCLWP7> (Year: 2023).\*

Solo Stove Pizza Oven Review 2023, first available Jun. 30, 2023, Family Handyman, [online], [site visited Jan. 30, 2024], Available from internet URL: <https://www.familyhandyman.com/article/solo-stove-pizza-oven-review/> (Year: 2023).\*

\* cited by examiner

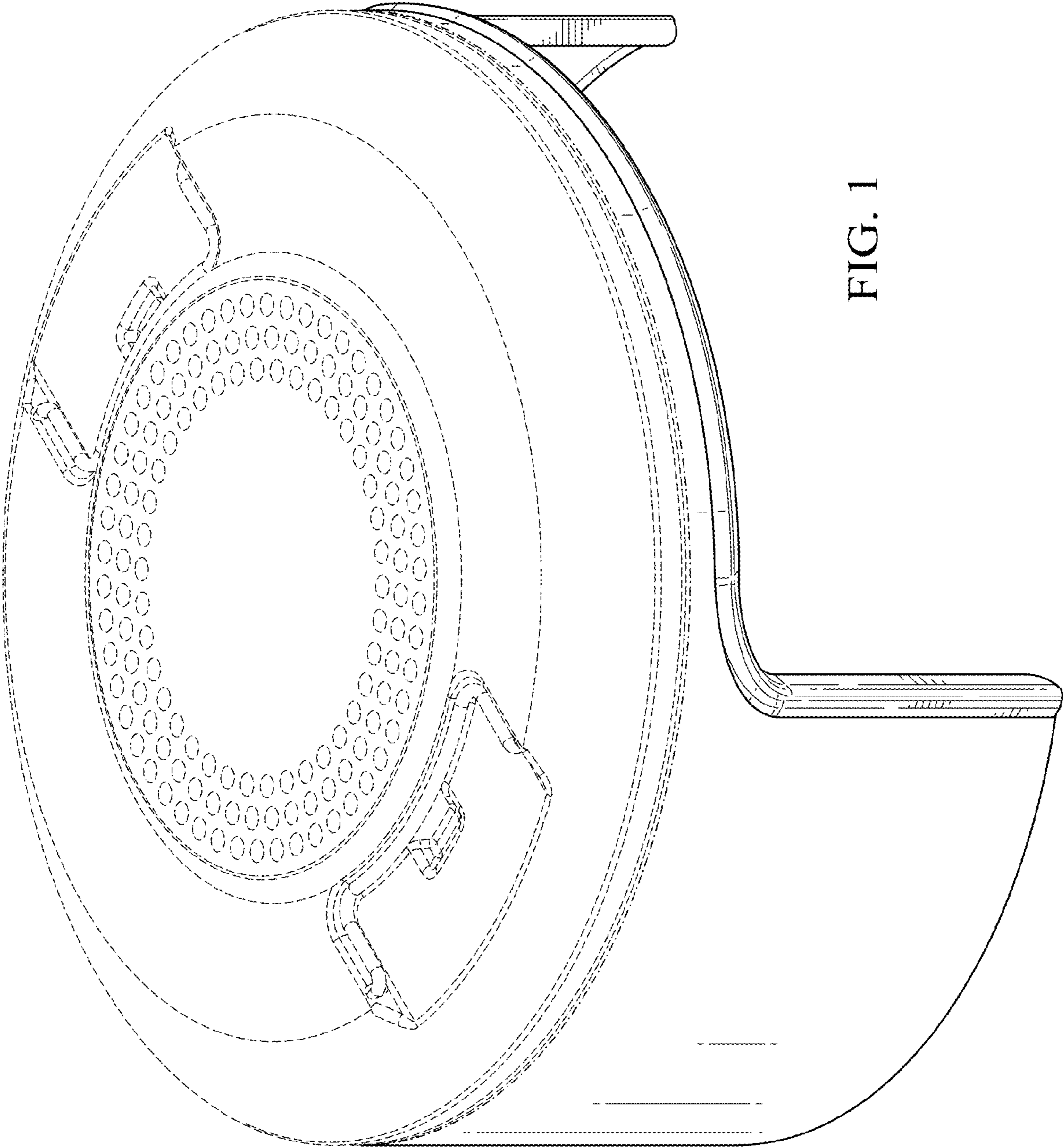


FIG. 1

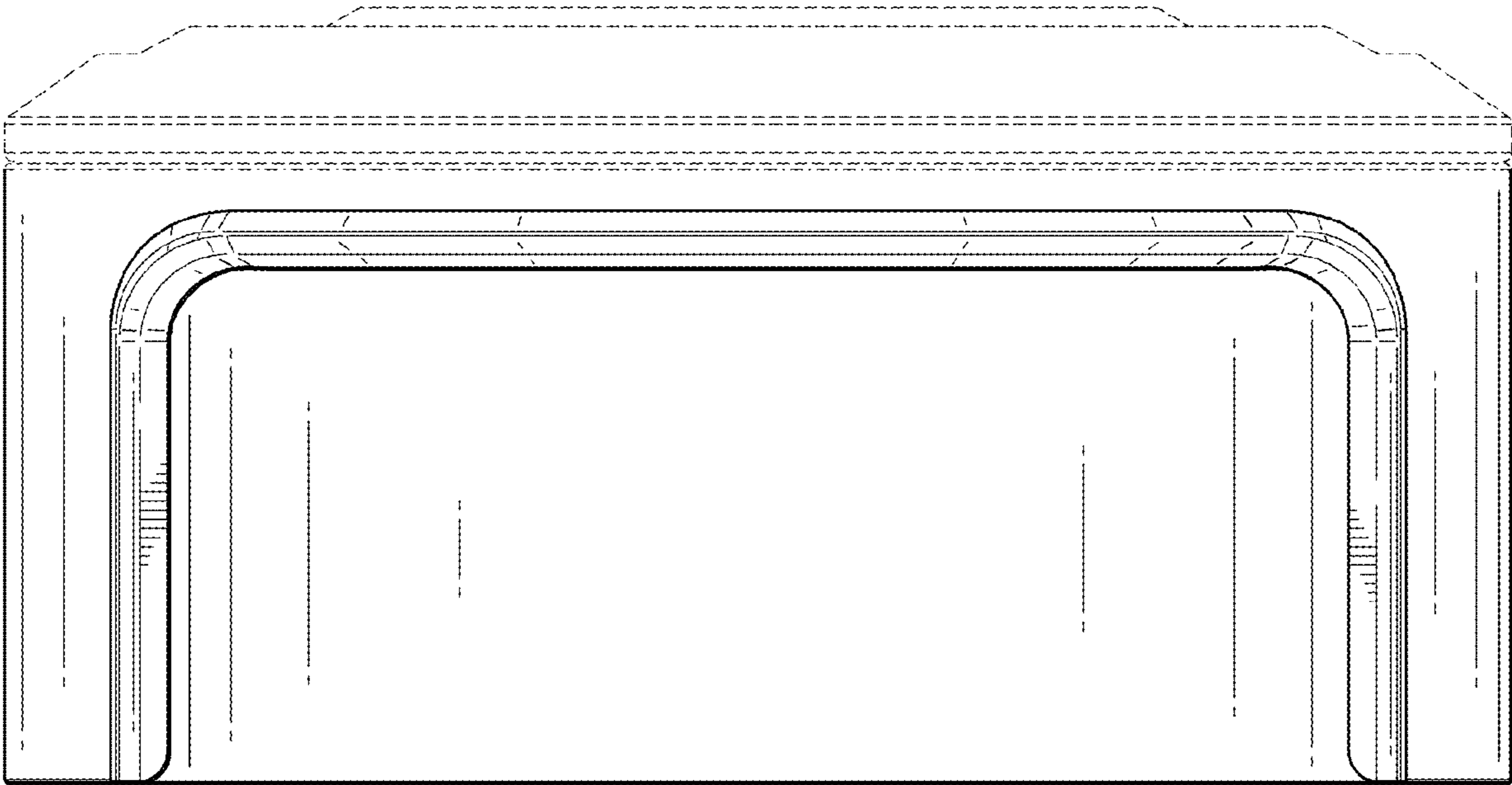


FIG. 2

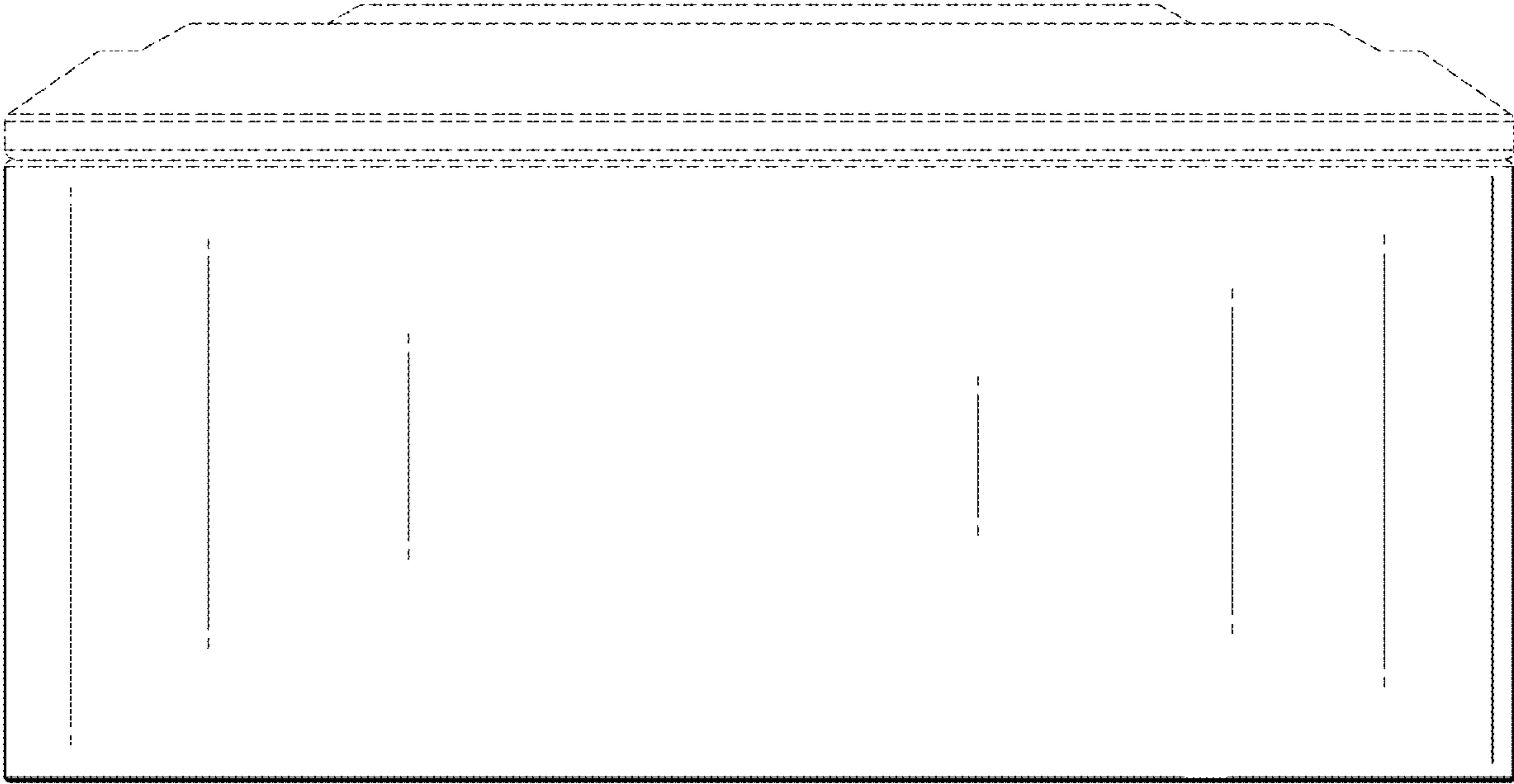


FIG. 3

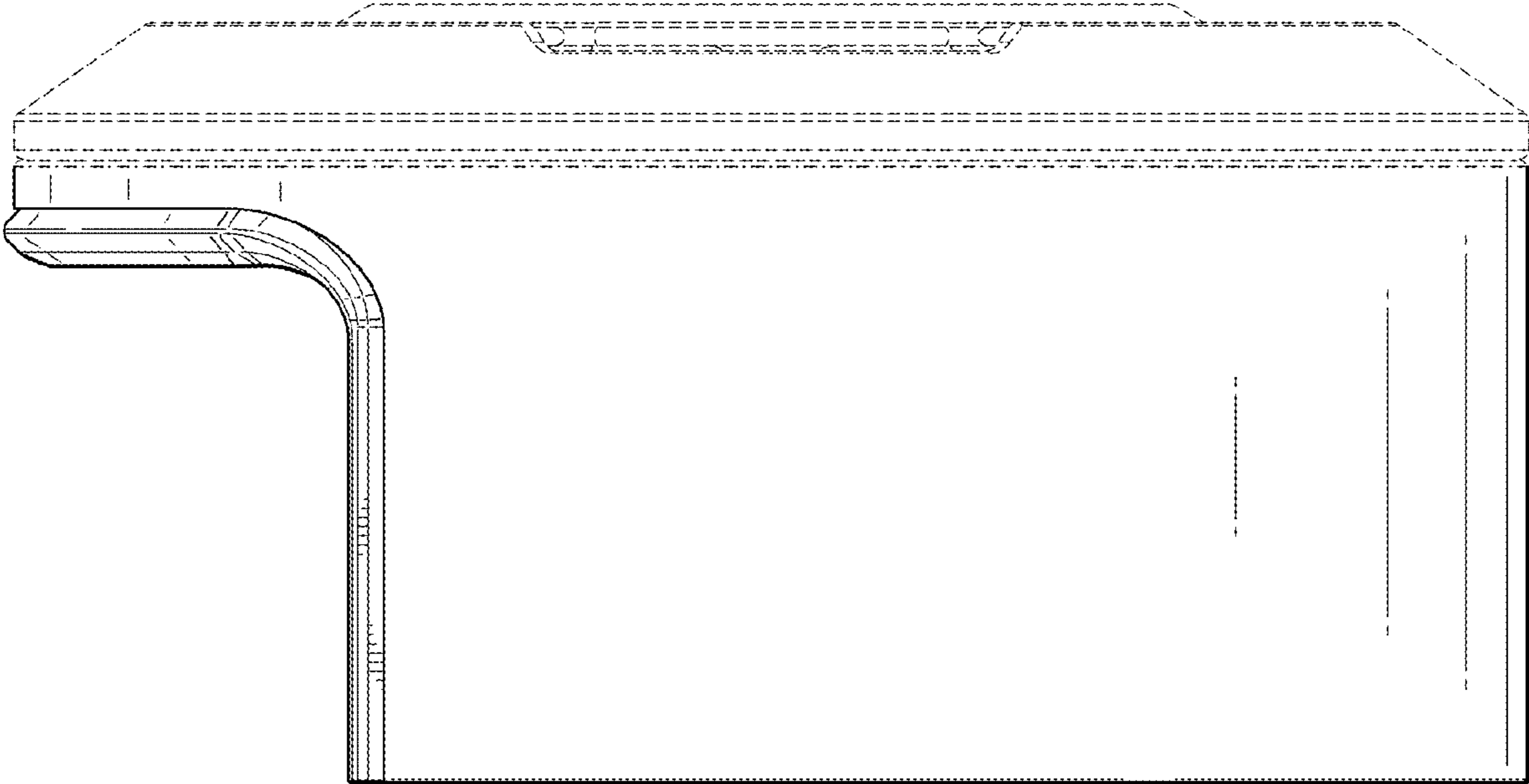


FIG. 4

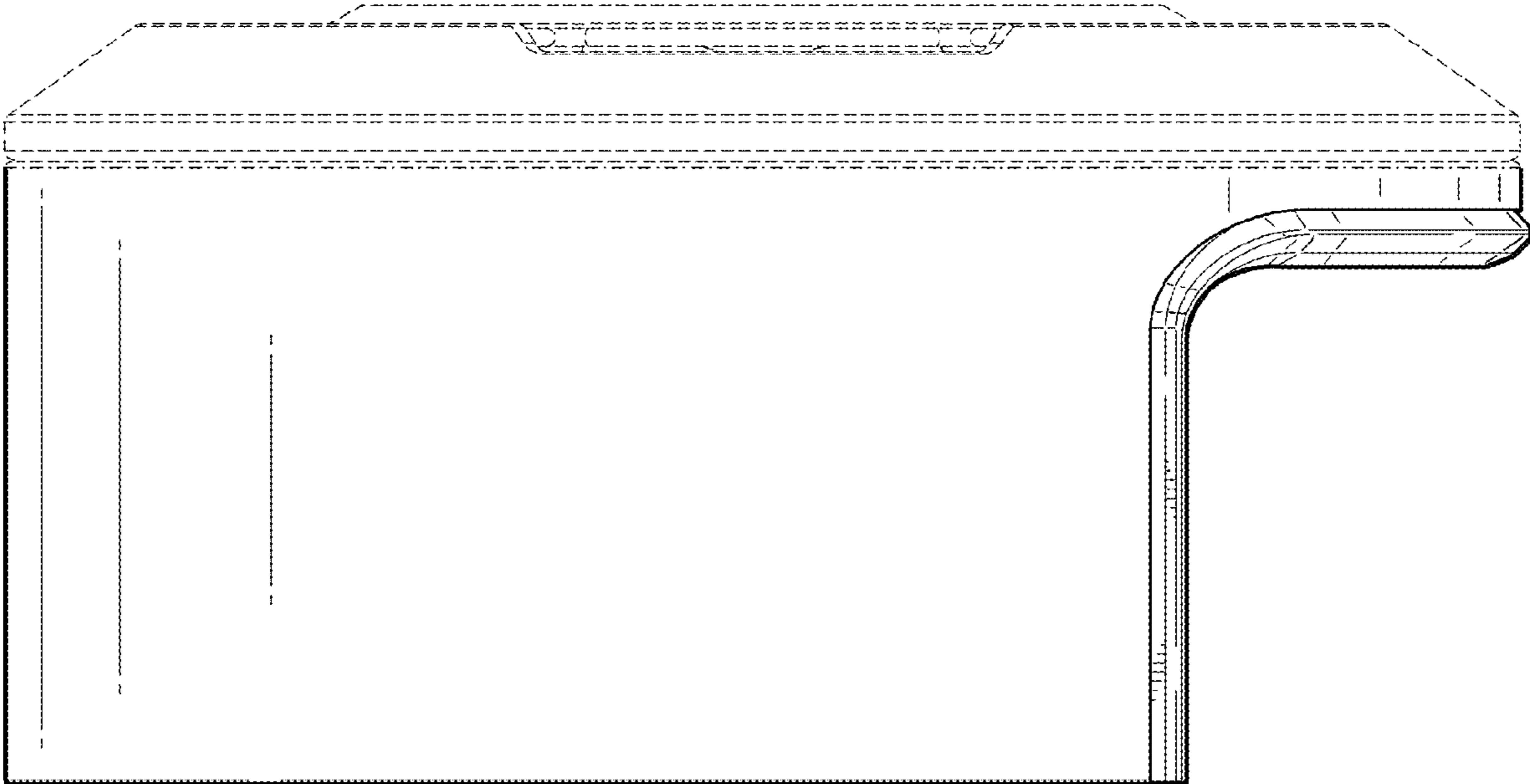


FIG. 5

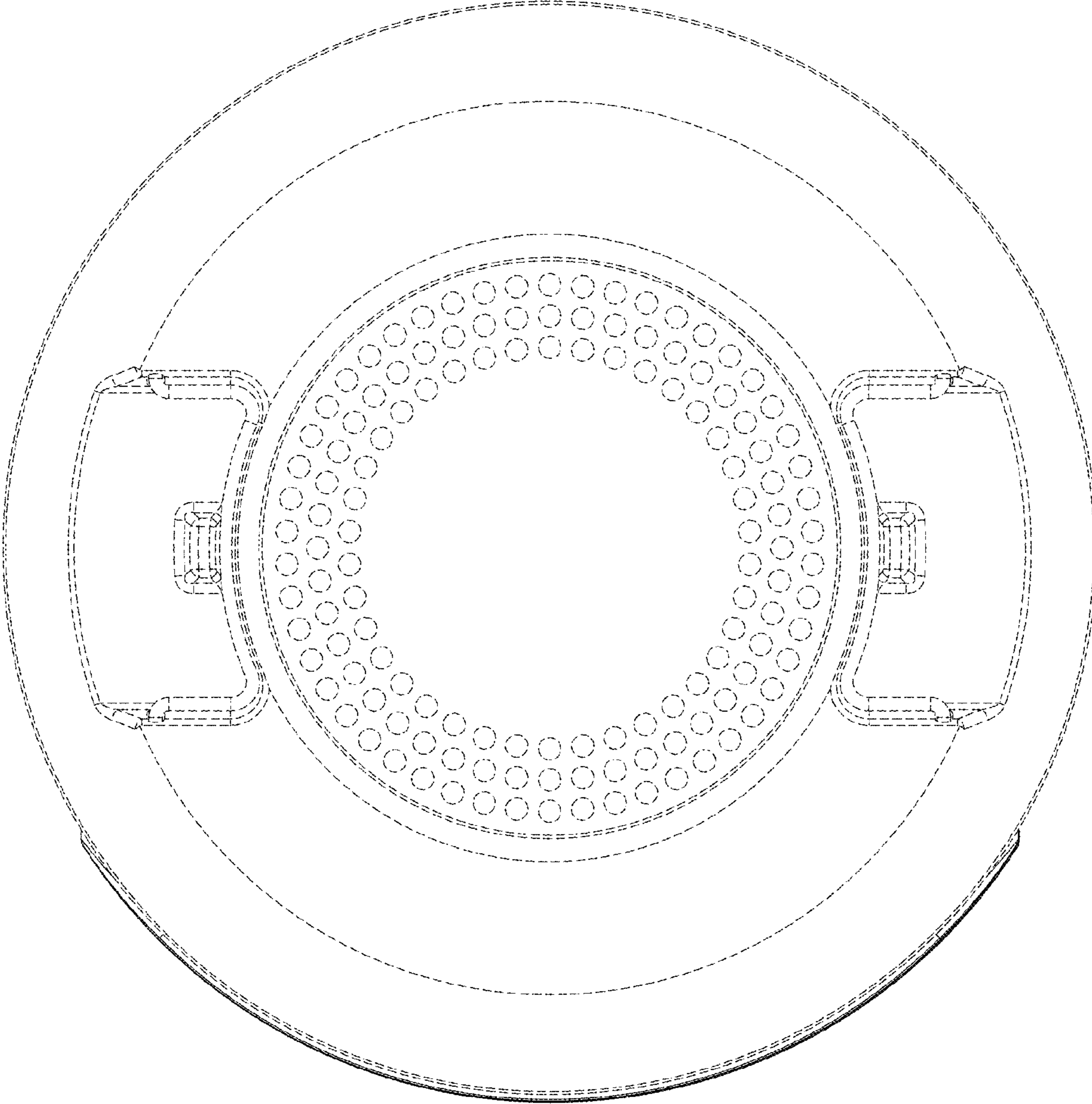


FIG. 6



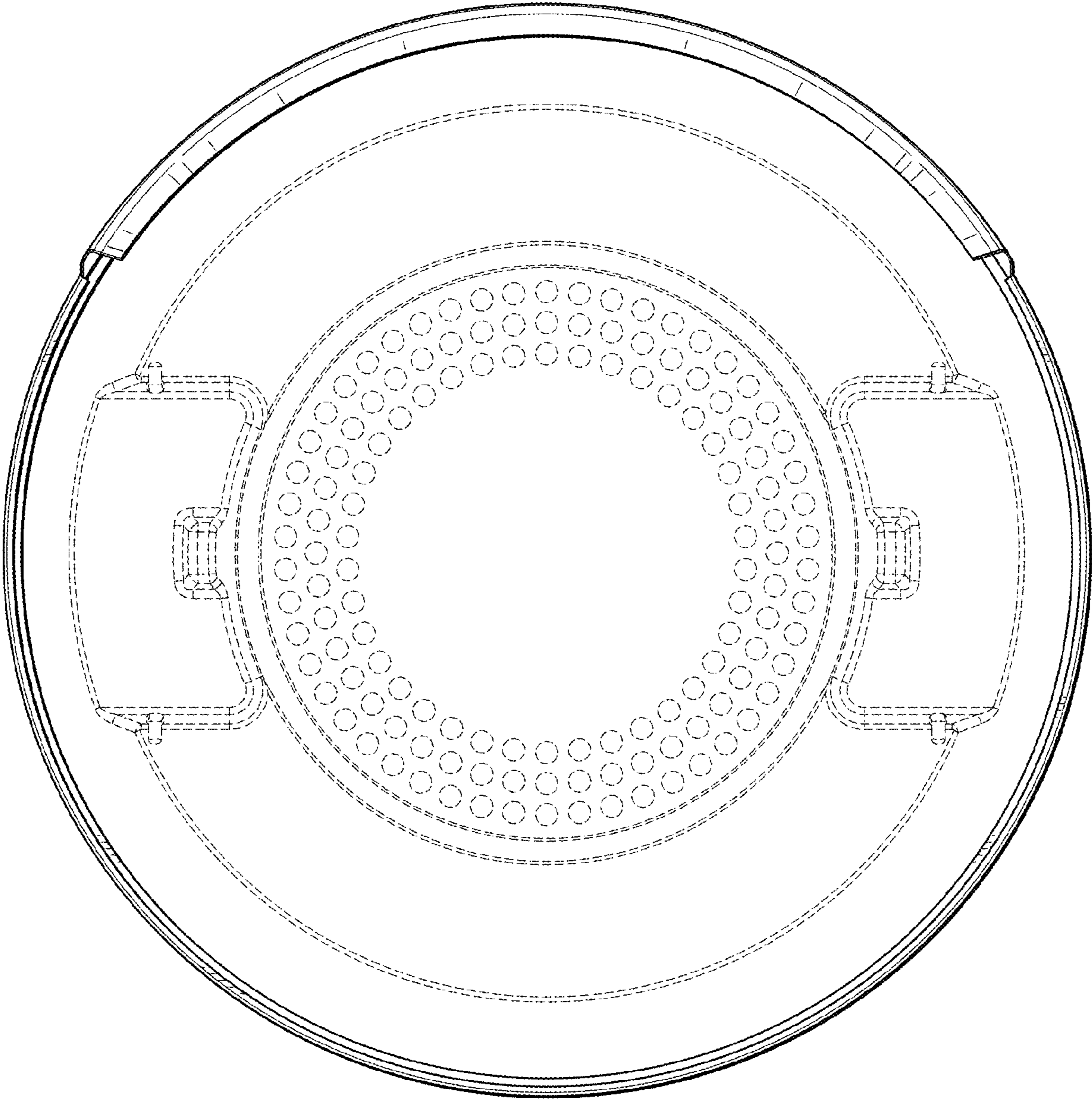


FIG. 7



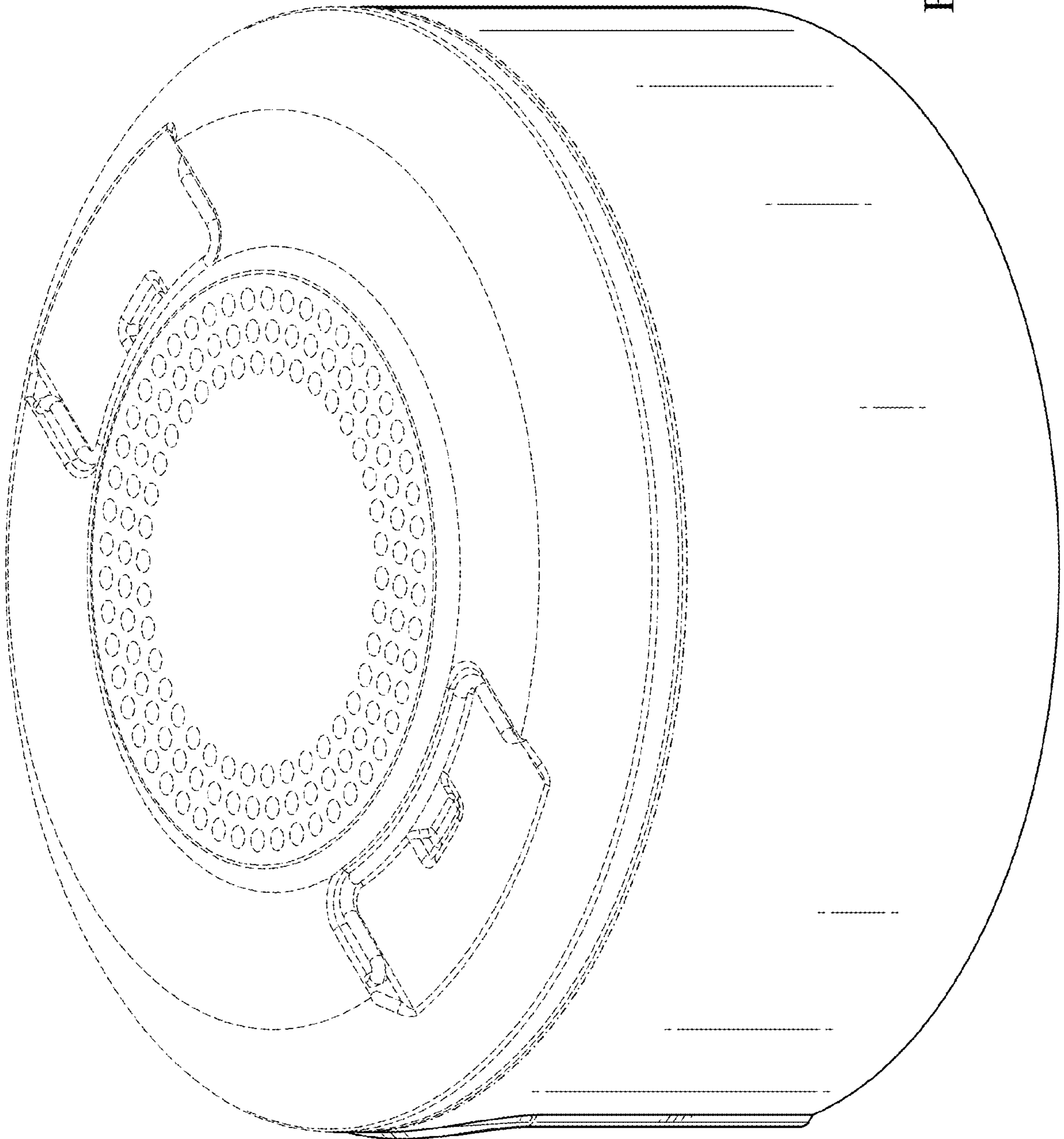


FIG. 8

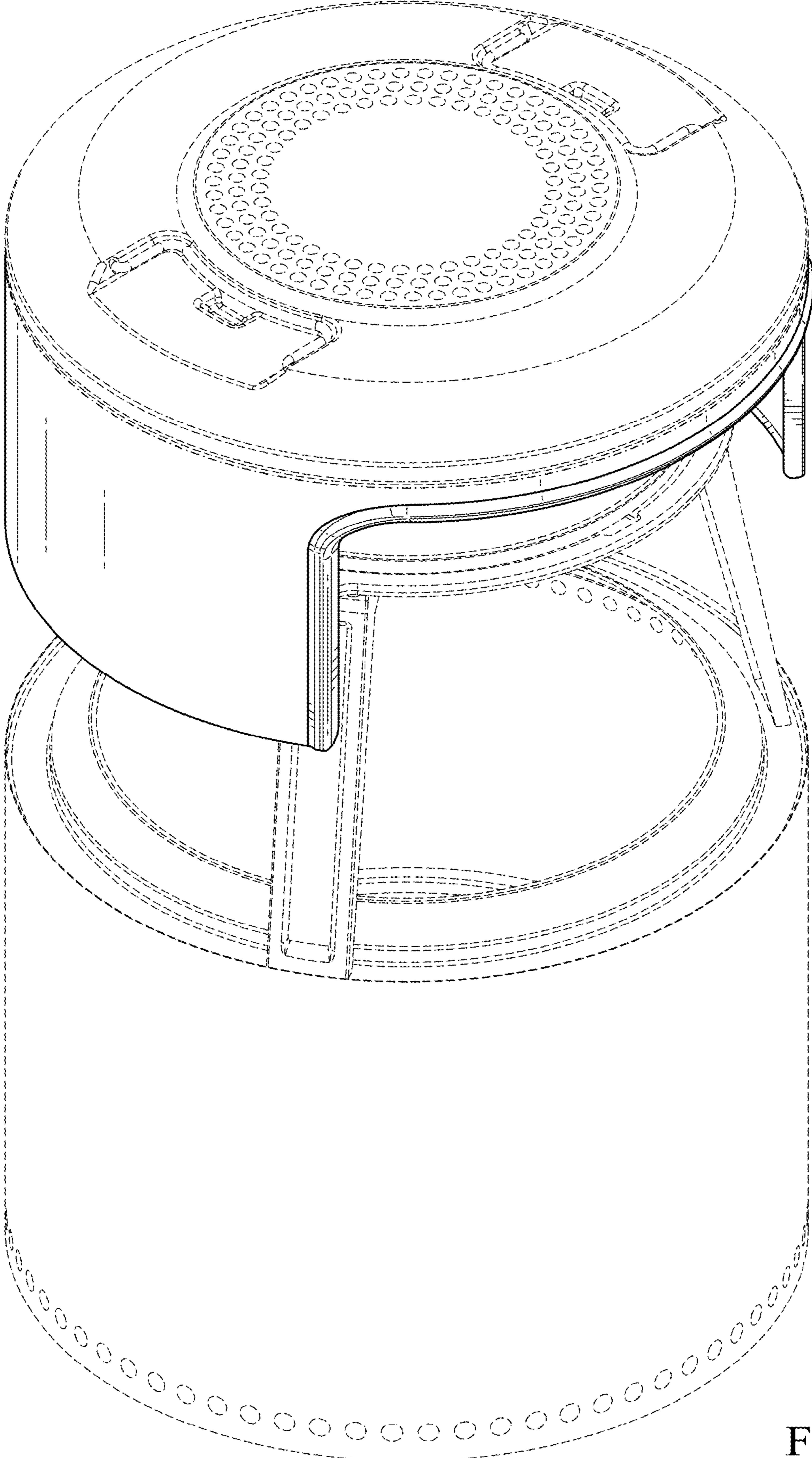


FIG. 9

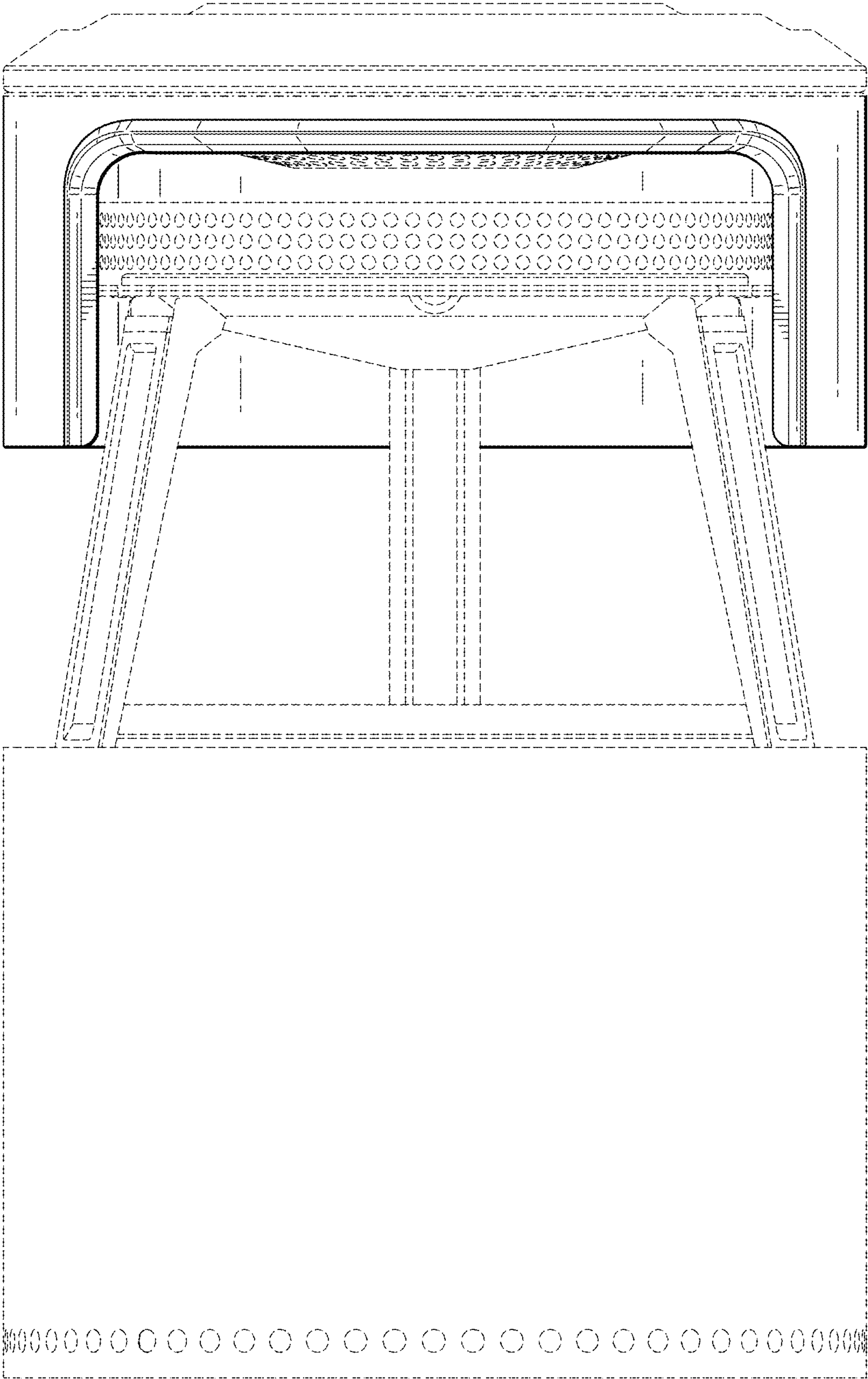


FIG. 10



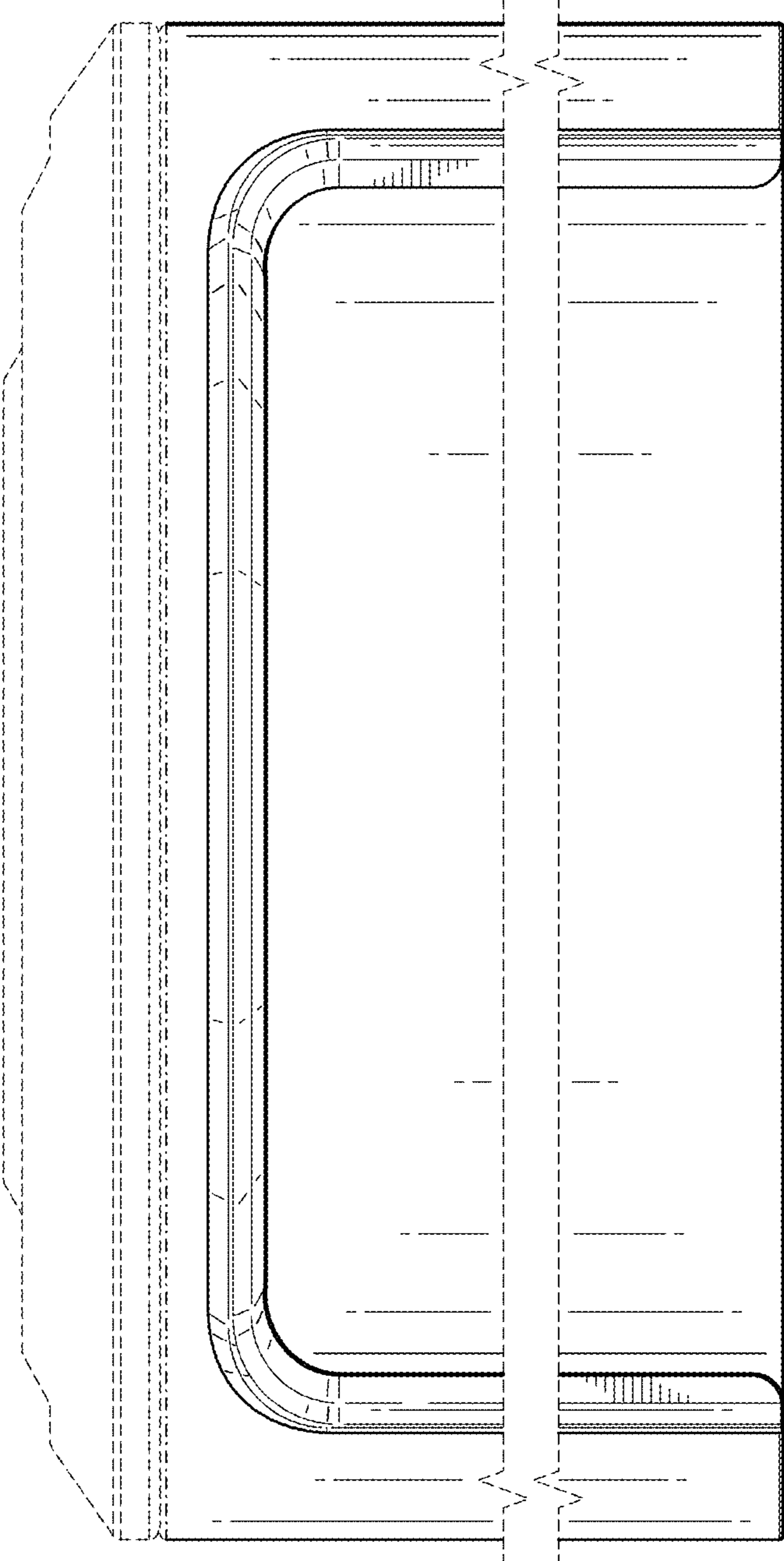


FIG. 11