



US0D1045471S

(12) **United States Design Patent** (10) **Patent No.:** **US D1,045,471 S**
Mani et al. (45) **Date of Patent:** **** Oct. 8, 2024**

(54) **THREE CAMERA RETAIL SELF-CHECKOUT UNIT**

D931,363 S * 9/2021 Tseng D18/4.5
12,011,102 B1 * 6/2024 Wang A47F 9/04
2017/0161704 A1 * 6/2017 Rimer G06F 1/1632
2023/0153750 A1 * 5/2023 Mani G06Q 10/087
705/28

(71) Applicant: **DIGIT7 INDIA PRIVATE LIMITED,**
Richardson, TX (US)

(72) Inventors: **Chithrai Selvakumar Mani,**
Richardson, TX (US); **Nithesh Singh Sanjay,**
Richardson, TX (US); **Shivaprakash Sowripalayam Nagaraj,**
Richardson, TX (US)

(73) Assignee: **DIGIT7 INDIA PRIVATE LIMITED,**
Richardson, TX (US)

(**) Term: **15 Years**

(21) Appl. No.: **35/003,055**

(22) Filed: **Feb. 2, 2023**

(80) **Hague Agreement Data**

Int. Filing Date: **Feb. 2, 2023**
Int. Reg. No.: **DM/228566**
Int. Reg. Date: **Feb. 2, 2023**
Int. Reg. Pub. Date: **May 5, 2023**

(51) **LOC (14) Cl.** **06-04**

(52) **U.S. Cl.**
USPC **D6/699**

(58) **Field of Classification Search**
USPC D6/698, 699, 699.1–699.3
CPC A47F 9/00; A47F 9/02; A47F 9/04; A47F
9/042; A47F 10/00; A47F 10/02; A47F
10/06

See application file for complete search history.

(56) **References Cited**

U.S. PATENT DOCUMENTS

D856,052 S * 8/2019 Wong D6/699
D896,806 S * 9/2020 Zheng D14/307

OTHER PUBLICATIONS

Self-Checkout Solution—Strongpoint <https://retail-its.dk/devices/strongpoint/self-checkout-sco/> retrieved from the internet on Jul. 17, 2024.*

Polytouch® Nano—Pyramid Computer GmbH <https://pyramid-computer.com/polytouch/nano-sco-self-checkout-terminal/> retrieved from the internet on Jul. 17, 2024.*

* cited by examiner

Primary Examiner — Mary Ann Calabrese

(74) Attorney, Agent, or Firm — Steven H. Washam;
Washam IP

(57) **CLAIM**

The ornamental design for a three camera retail self-checkout unit as shown and described.

DESCRIPTION

1. Three camera retail self-checkout unit

1.1 : Perspective

1.2 : Front

1.3 : Back

1.4 : Left

1.5 : Right

1.6 : Top

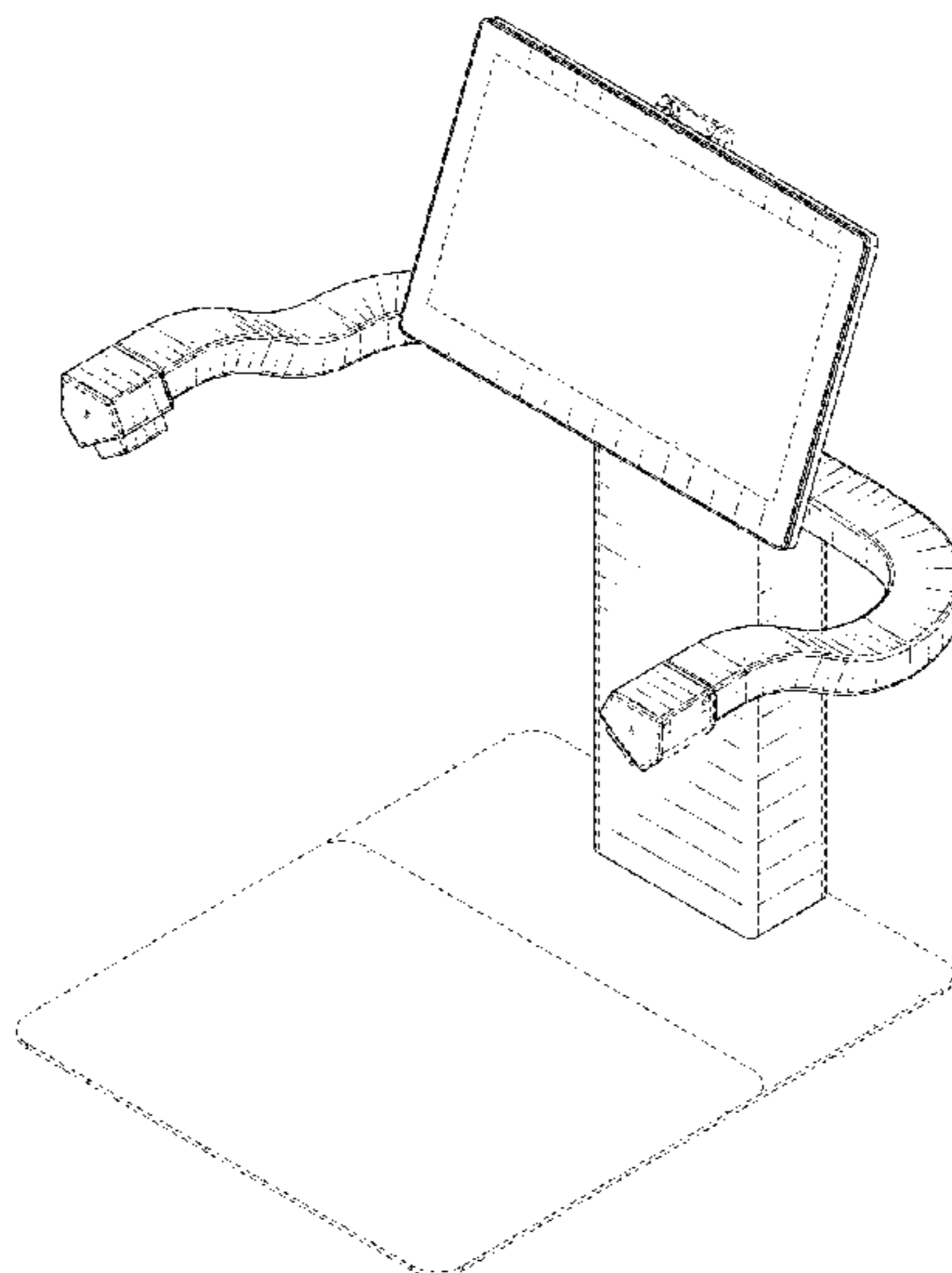
1.7 : Bottom

1.8 : Bottom with baseplate removed

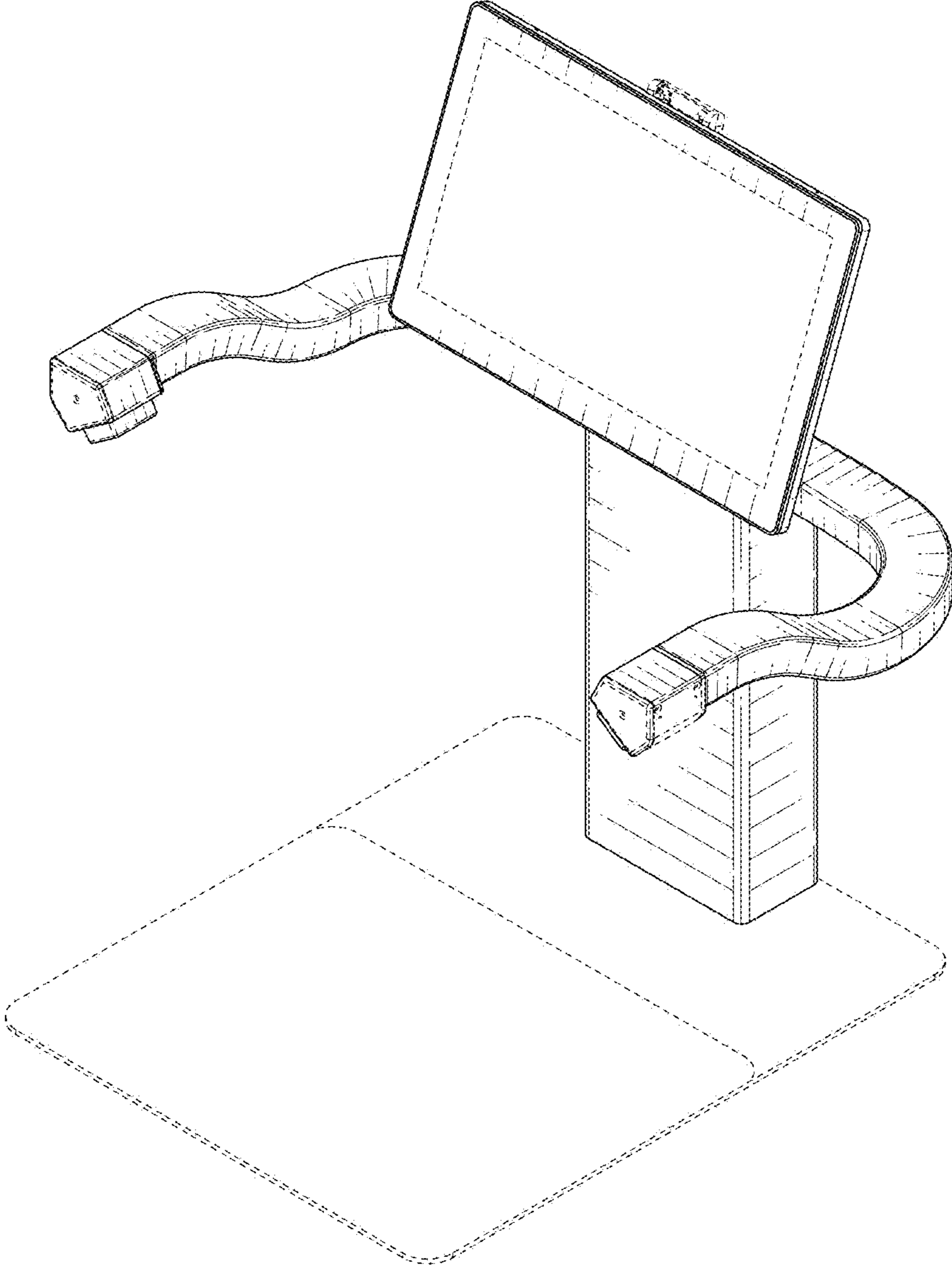
Three camera retail self-checkout unit; cameras face baseplate and identify retail items placed thereupon; display screen presents relevant information to a retail customer.

In the drawings, the broken lines show portions of the three camera retail selfcheckout unit that form no part of the claimed design.

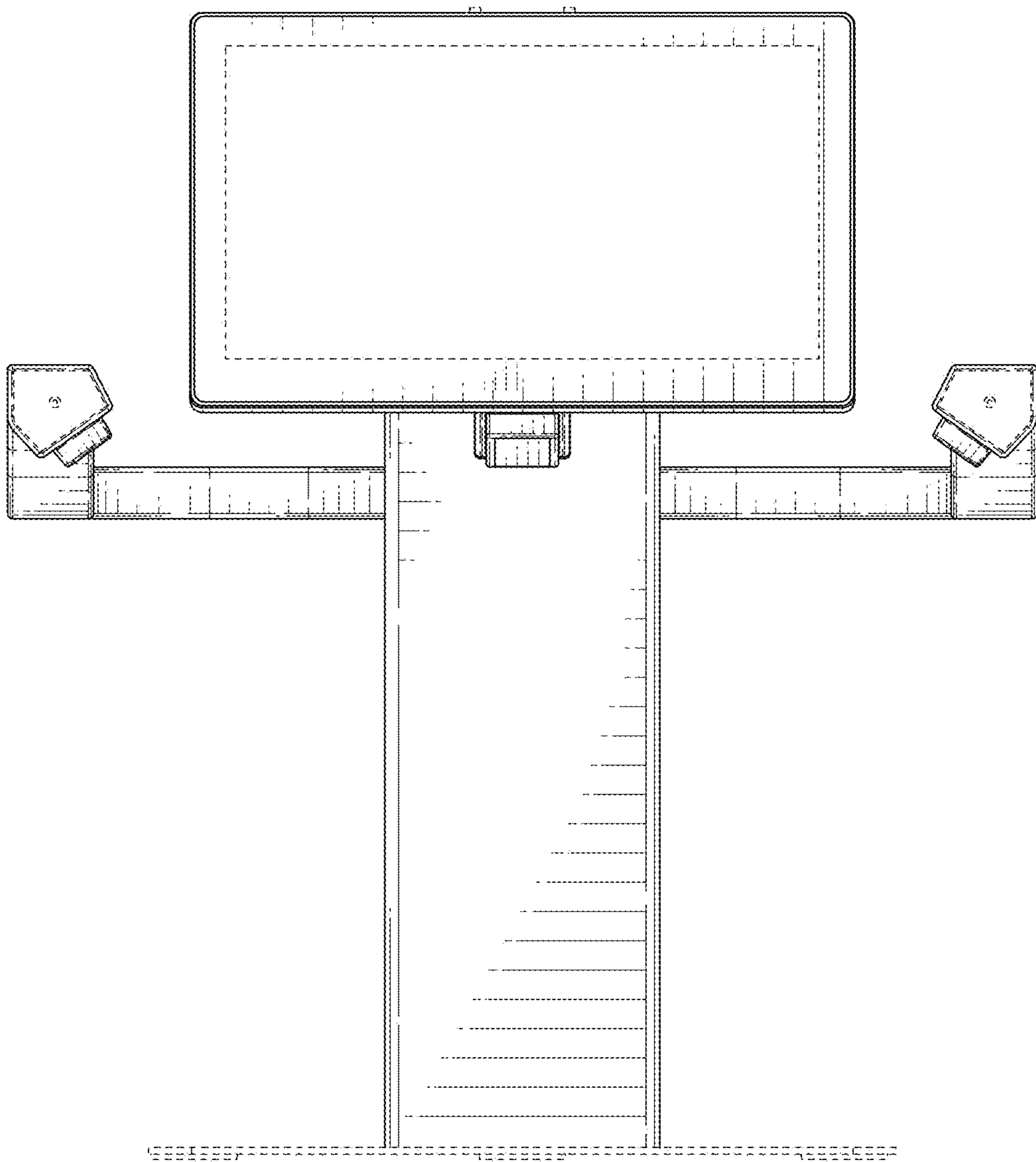
1 Claim, 8 Drawing Sheets



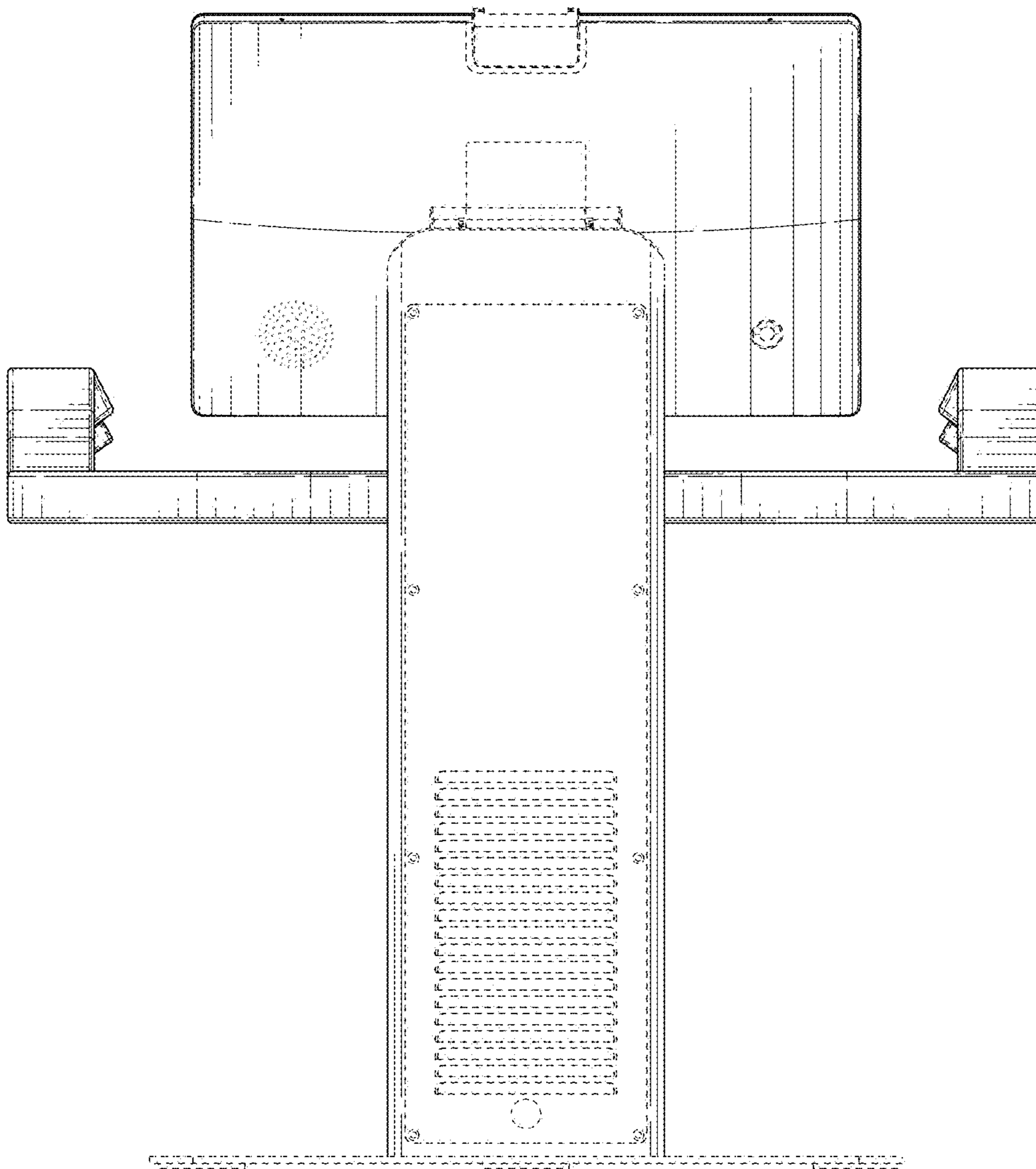
1.1



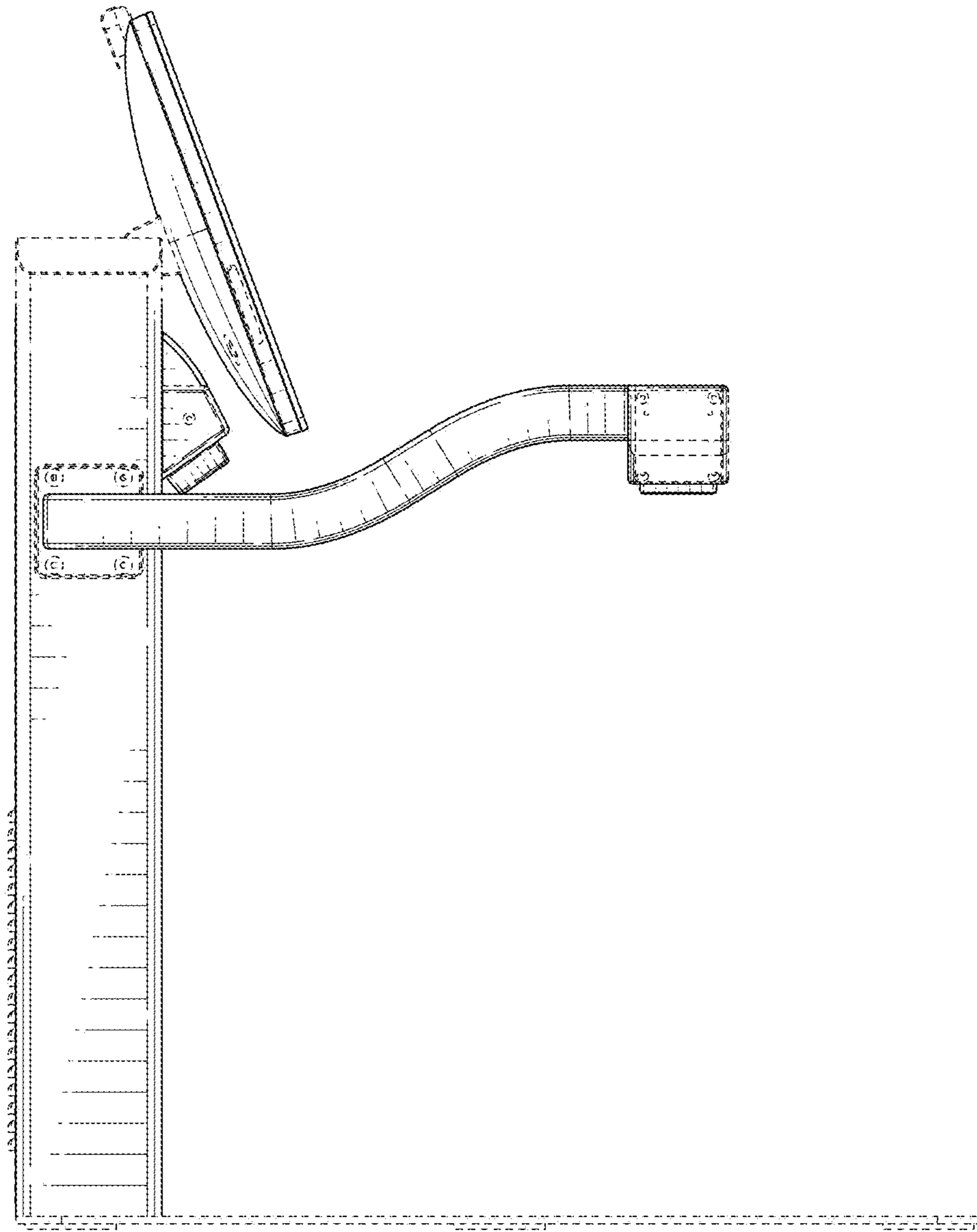
1.2



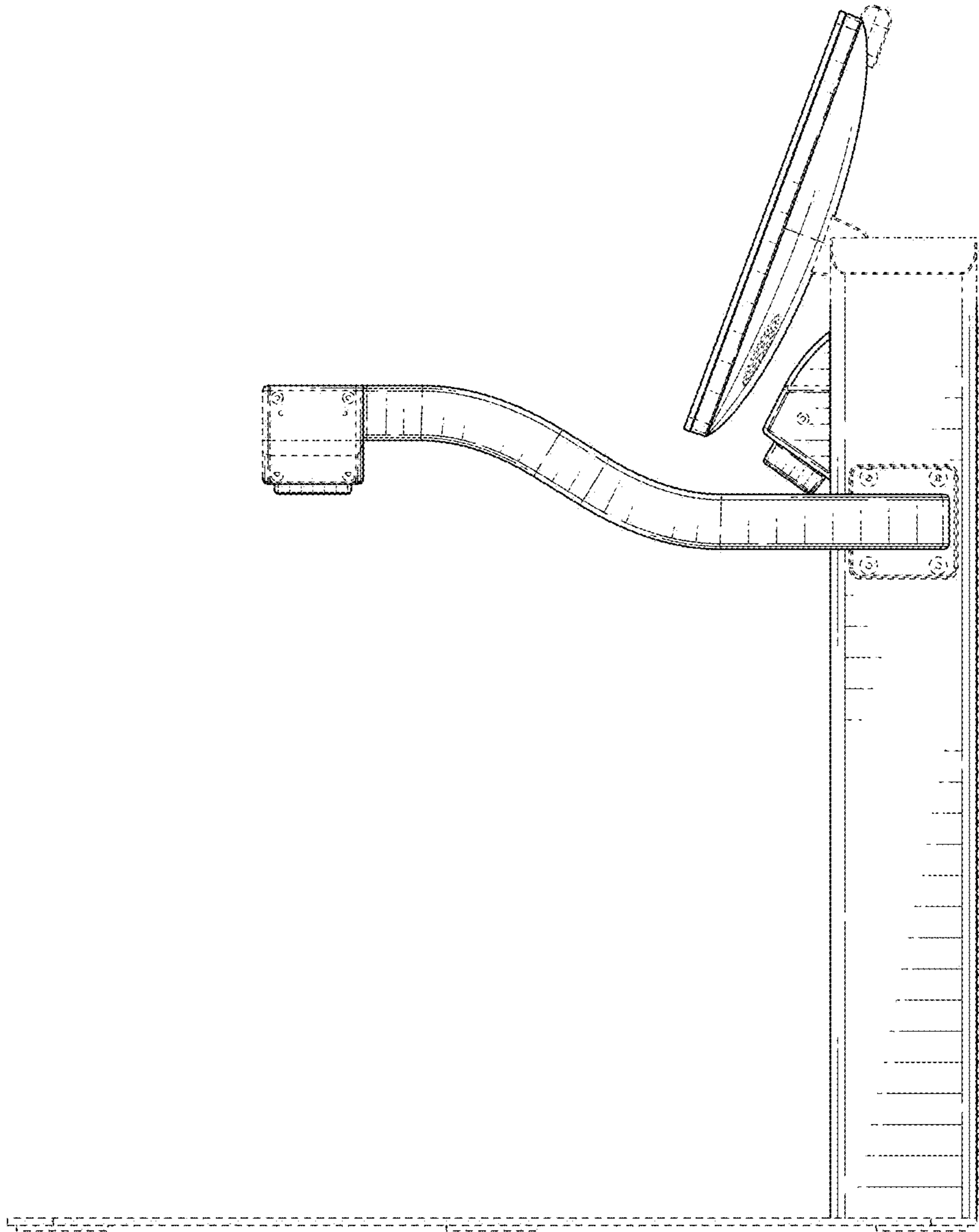
1.3

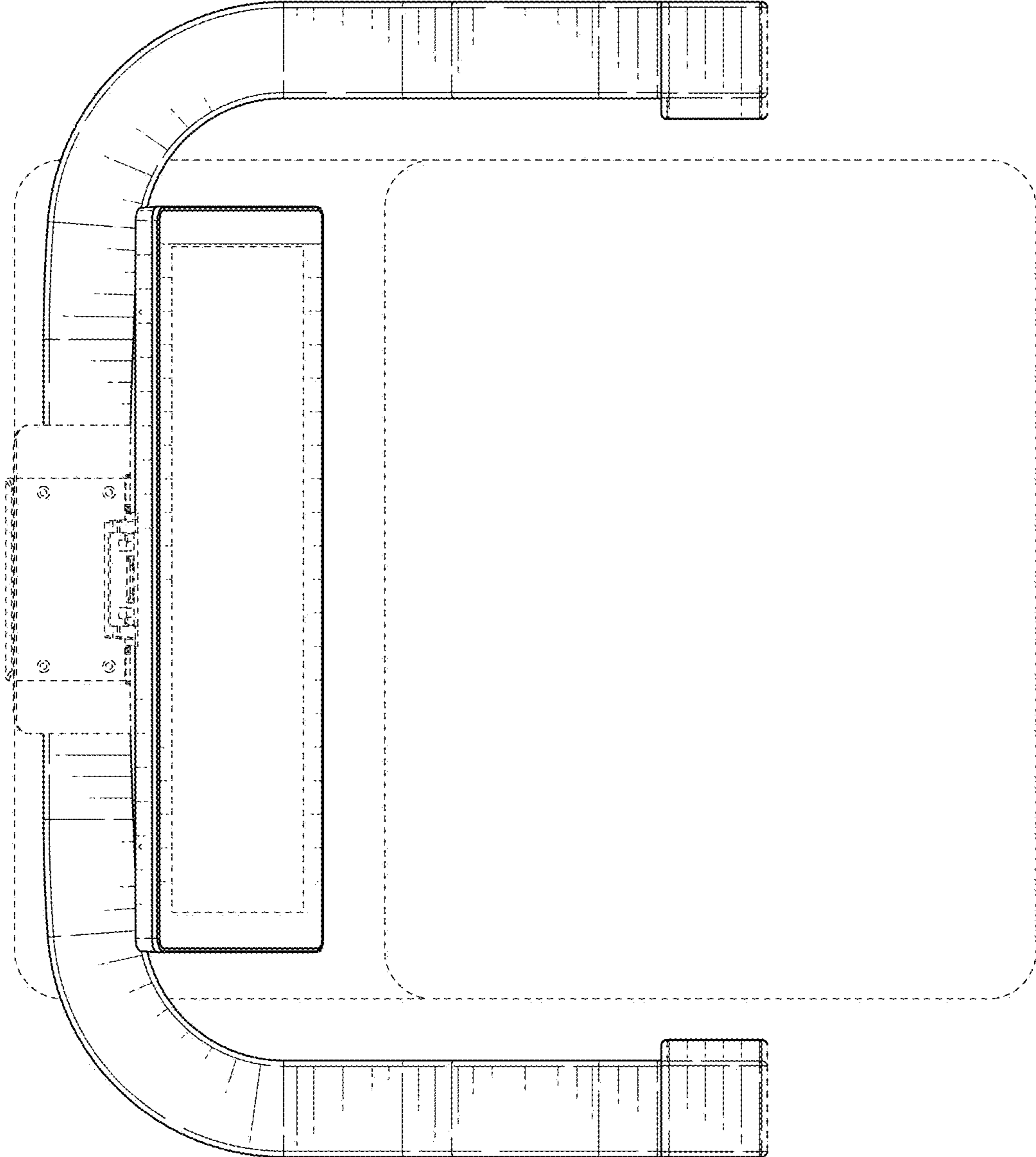


1.4

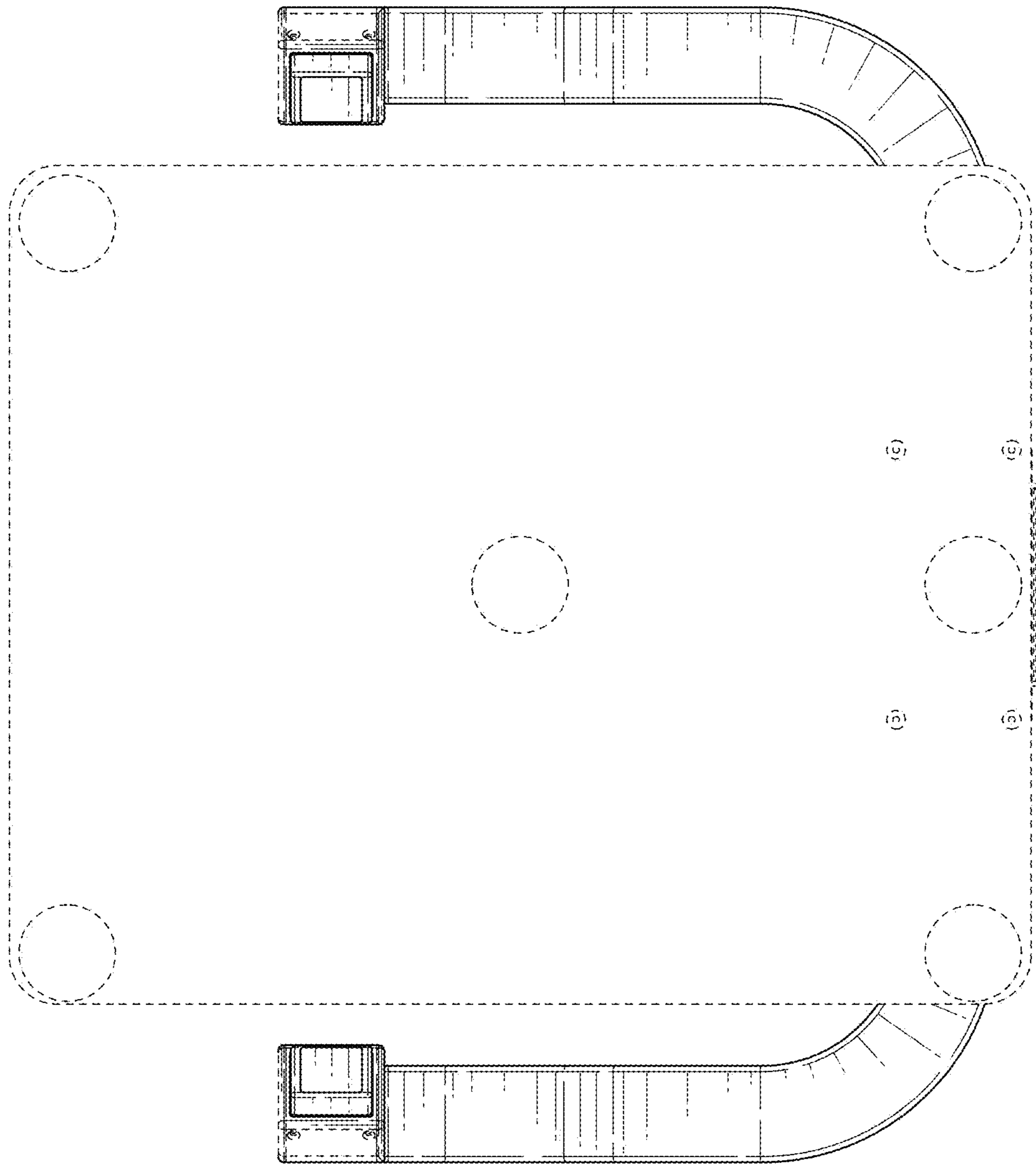


1.5

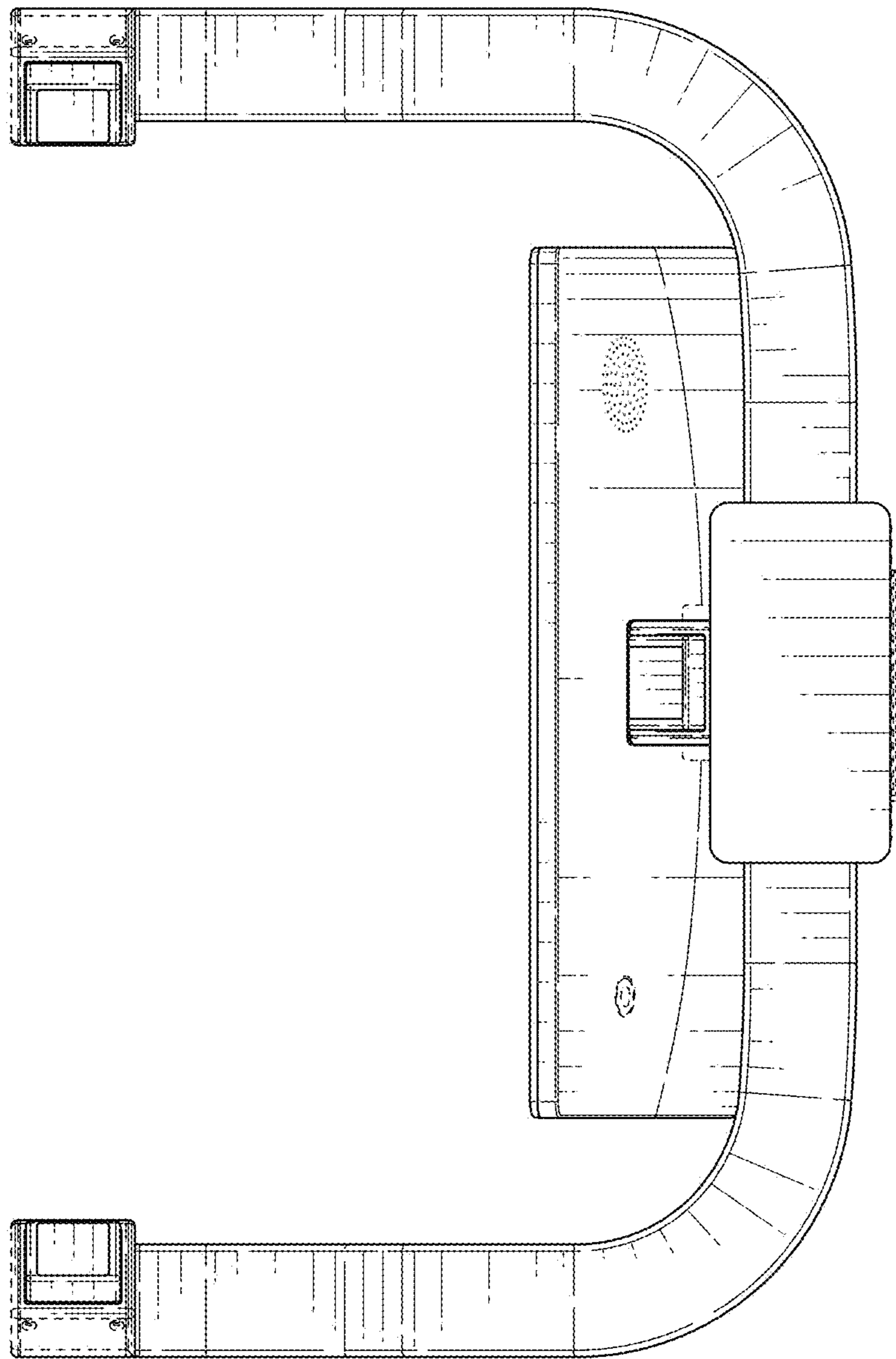




1.6



1.7



1.8

UNITED STATES PATENT AND TRADEMARK OFFICE
CERTIFICATE OF CORRECTION

PATENT NO. : D1,045,471 S
APPLICATION NO. : 35/003055
DATED : October 8, 2024
INVENTOR(S) : Chithrai Selvakumar Mani, Nithesh Singh Sanjay and Shivaprakash Sowripalayam Nagaraj

Page 1 of 1

It is certified that error appears in the above-identified patent and that said Letters Patent is hereby corrected as shown below:

On the Title Page

Item [54], The title, "THREE CAMERA RETAIL SELFCHECKOUT UNIT," should read, "THREE CAMERA RETAIL SELF-CHECKOUT UNIT."

In the DESCRIPTION section, the line, "camera retail selfcheckout unit that form no part of the" should read, "camera retail self-checkout unit that form no part of the."

Signed and Sealed this
Fifth Day of November, 2024
Katherine Kelly Vidal

Katherine Kelly Vidal
Director of the United States Patent and Trademark Office