



US0D1045415S

(12) **United States Design Patent**
Chen

(10) **Patent No.:** **US D1,045,415 S**

(45) **Date of Patent:** **** Oct. 8, 2024**

(54) **STORAGE SHOE BENCH**

(71) Applicant: **Seville Classics Inc.**, Torrance, CA (US)

(72) Inventor: **Hsueh Ju Chen**, Cypress, CA (US)

(73) Assignee: **Seville Classics, Inc.**, Torrance, CA (US)

(**) Term: **15 Years**

(21) Appl. No.: **29/837,586**

(22) Filed: **May 6, 2022**

(51) **LOC (14) Cl.** **06-01**

(52) **U.S. Cl.**
USPC **D6/336**

(58) **Field of Classification Search**
USPC D3/302; D6/329, 335, 336, 349, 350, D6/352, 353, 664, 675, 690, 691, 691.4, D6/691.8, 697, 337, 341, 692.3, 662, 663, D6/667, 671.1, 675.1, 678.1, 681; D8/374; D21/499, 686, 690, 691
CPC .. A47C 16/02; A47C 3/16; A47C 3/20; A47C 13/00; A47C 12/00; A47C 12/02; A63B 21/00054; A63B 21/00047; A47B 37/04; A47B 83/02

See application file for complete search history.

(56) **References Cited**

U.S. PATENT DOCUMENTS

D26,371 S	*	12/1896	Wedd	D6/662
D59,614 S	*	11/1921	Tockes	D6/667
3,049,724 A	*	8/1962	Goodman	A47C 17/04
					5/36
D278,397 S	*	4/1985	Frankenreiter	D6/667
D400,363 S	*	11/1998	Lewis	D6/349
D434,579 S	*	12/2000	Rabb	D6/663
D468,915 S	*	1/2003	Talbott	D06F 95/002
					D6/349
D502,023 S	*	2/2005	Anderson	D6/336
D590,153 S	*	4/2009	Sapp	D3/279

D674,616 S	*	1/2013	Frankel	D6/349
D690,142 S	*	9/2013	Arko	D6/681
D811,104 S	*	2/2018	Schachter	D6/349
D985,295 S	*	5/2023	Liu	D6/349
D1,002,246 S	*	10/2023	Luo	D6/671.1
D1,003,616 S	*	11/2023	Naylor	D6/349

OTHER PUBLICATIONS

9-Bin Foldable Tufted Storage Bench—sevilleclassicsofficial, available in [instagram.com](https://www.instagram.com/p/Bld5pE5HI7L/), published Jul. 20, 2018 [online], Retrieved on May 8, 2024 from UL: <https://www.instagram.com/p/Bld5pE5HI7L/> (Year: 2018).*

* cited by examiner

Primary Examiner — Susan E Krakower

Assistant Examiner — Michelle M Reeves

(74) *Attorney, Agent, or Firm* — Raymond Sun

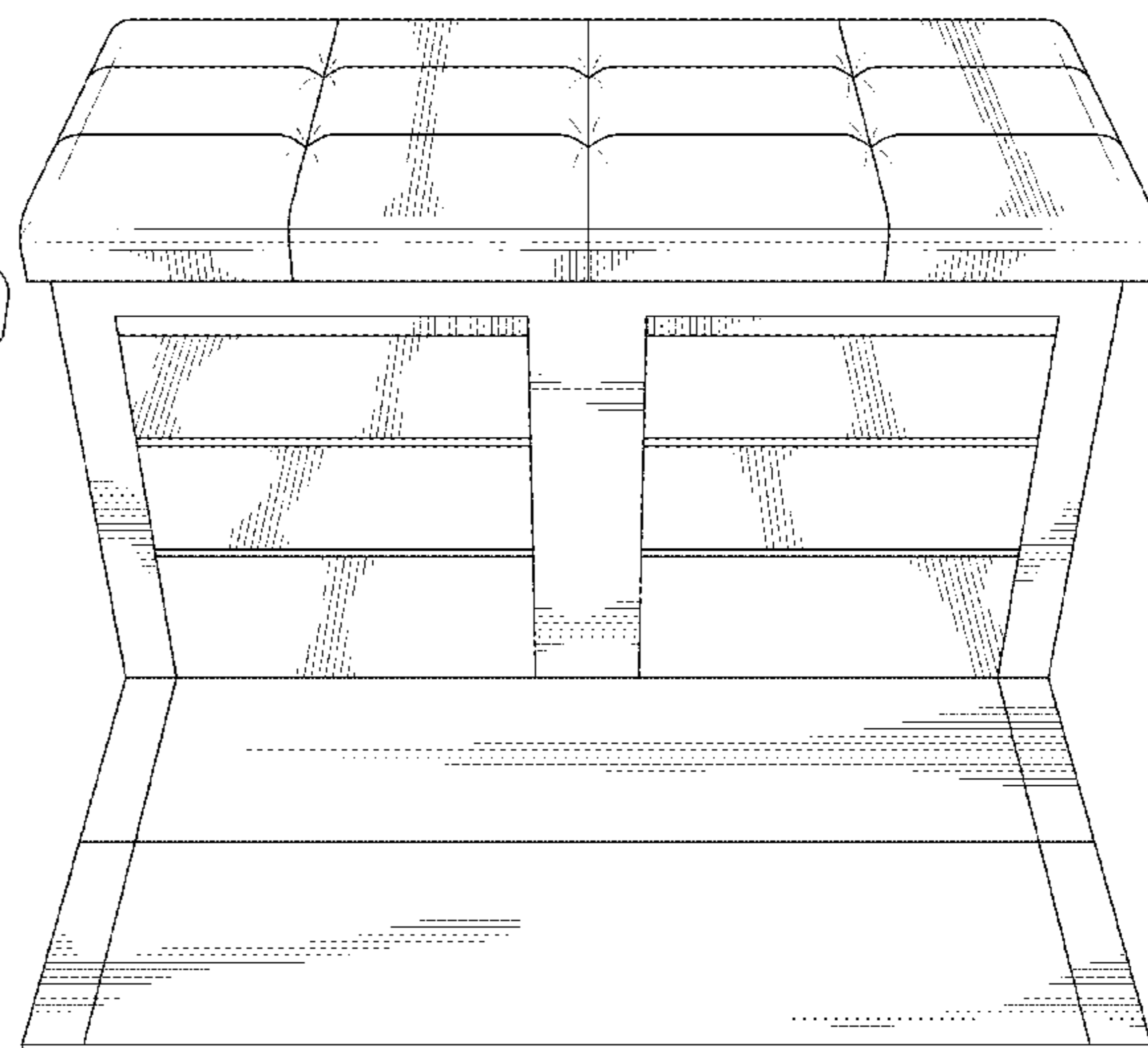
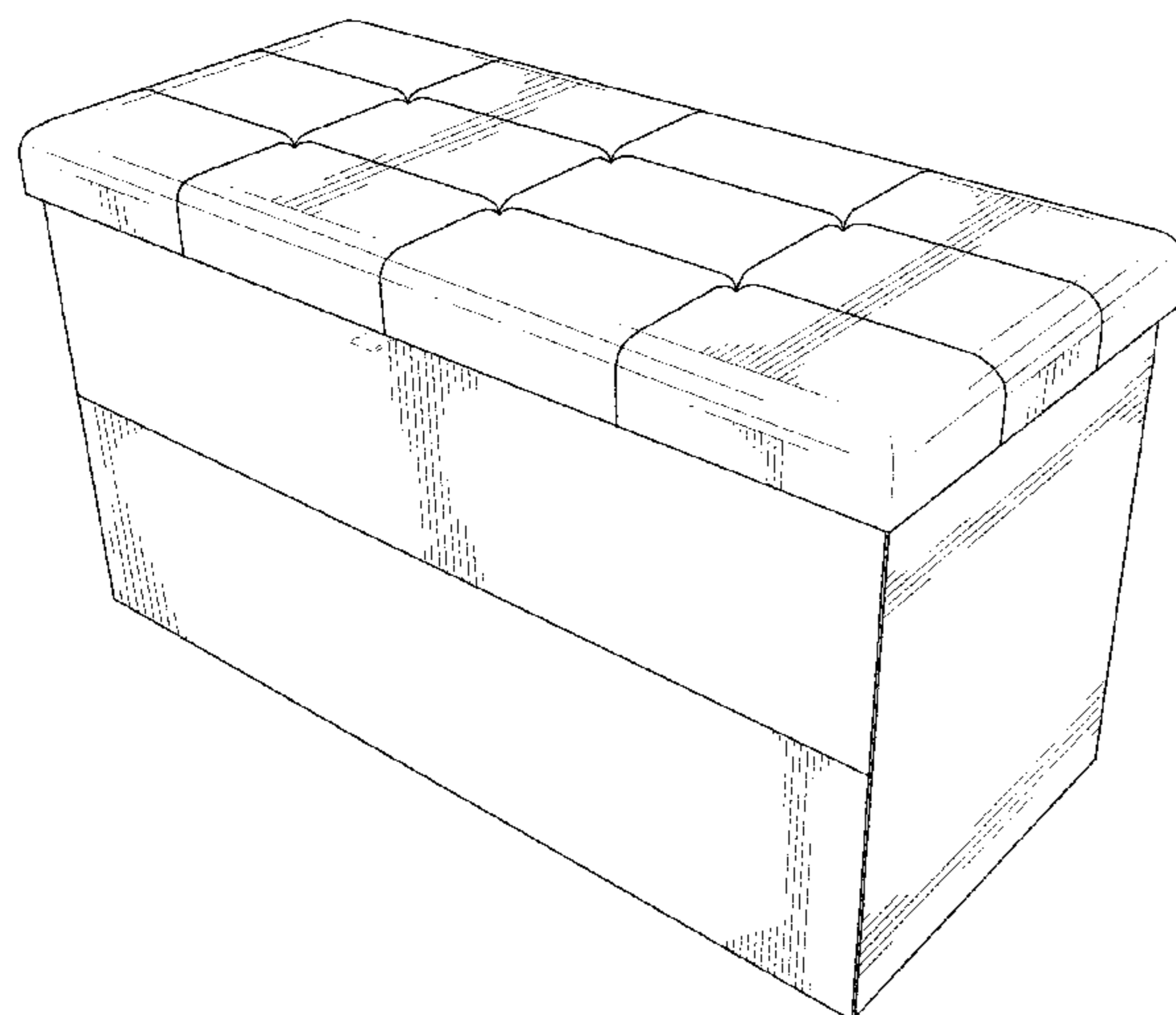
(57) **CLAIM**

The ornamental design for a storage shoe bench, as shown and described.

DESCRIPTION

FIG. 1 is a front, right, top perspective view of a storage shoe bench showing my new design;
 FIG. 2 is a front elevational view thereof;
 FIG. 3 is a rear elevational view thereof;
 FIG. 4 is a left side elevational view thereof;
 FIG. 5 is a right side elevational view thereof;
 FIG. 6 is a top plan view thereof;
 FIG. 7 is a front, top perspective view of the storage shoe bench of FIG. 1 showing the front cover opened and fully unfolded; and,
 FIG. 8 is a front, top perspective view of the storage shoe bench of FIG. 1 showing the front cover opened in a half-unfolded configuration.
 The broken lines shown in the figures depict portions of the storage shoe bench that form no part of the claimed design.

1 Claim, 8 Drawing Sheets



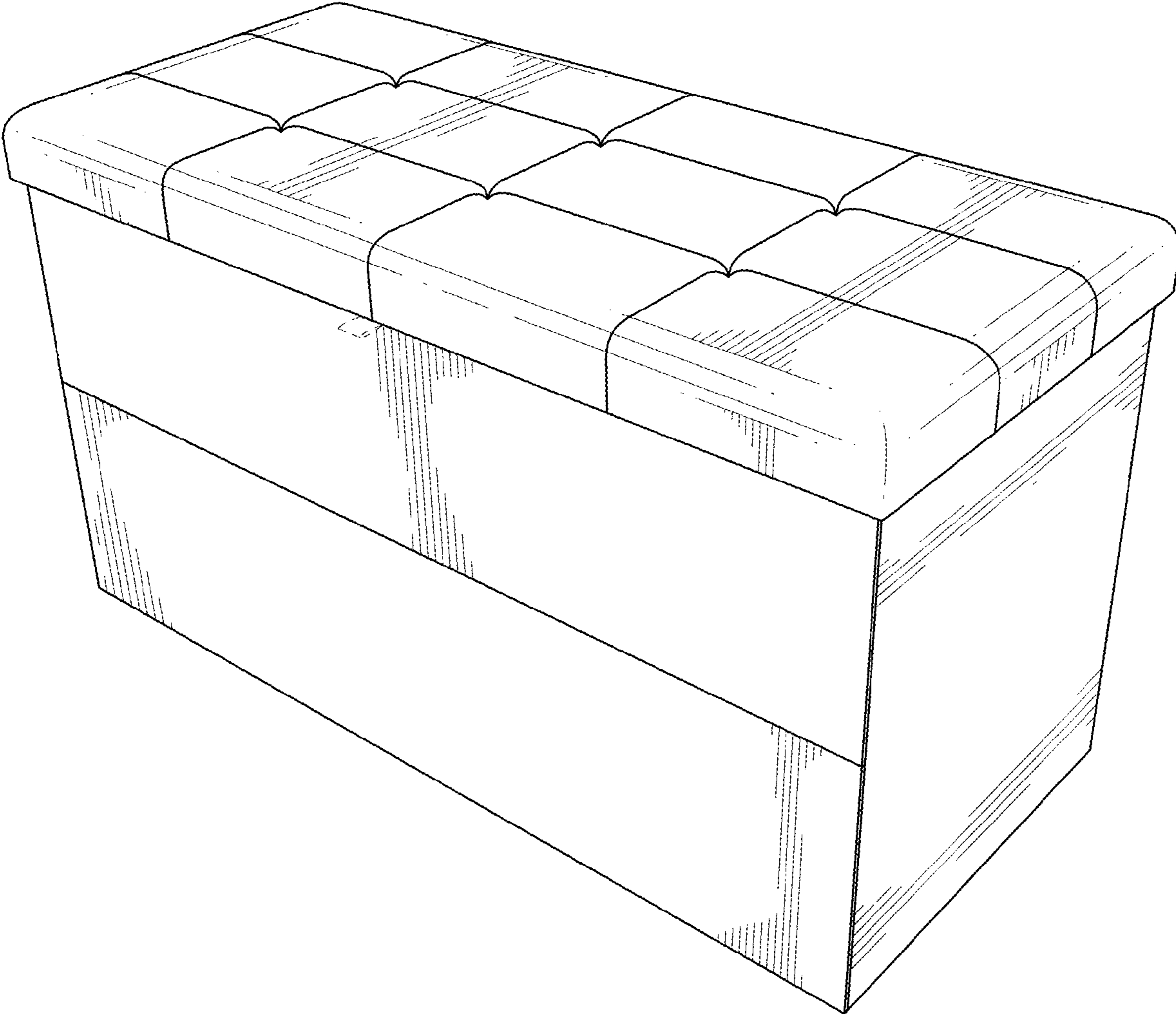


FIG. 1

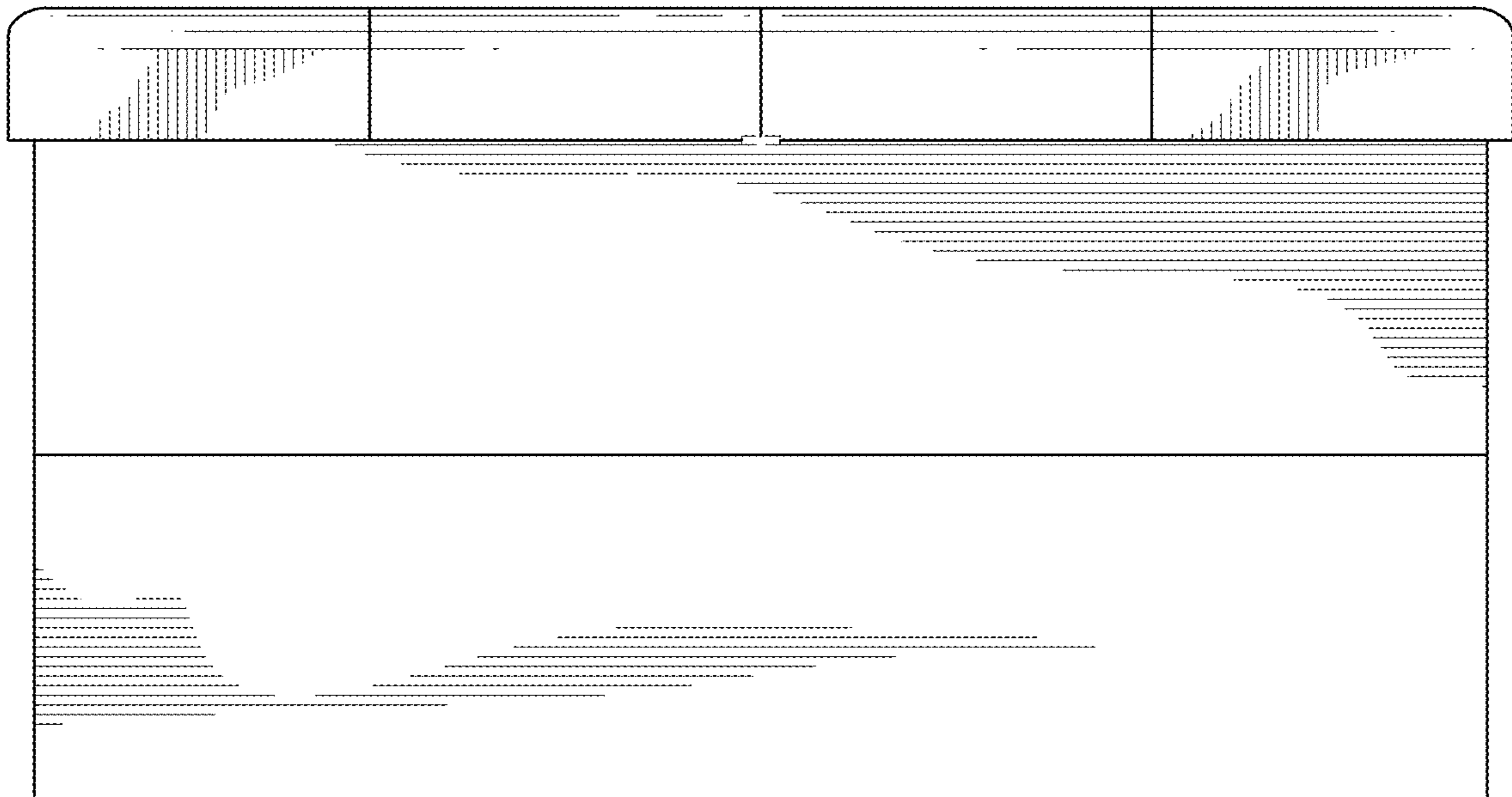


FIG.2

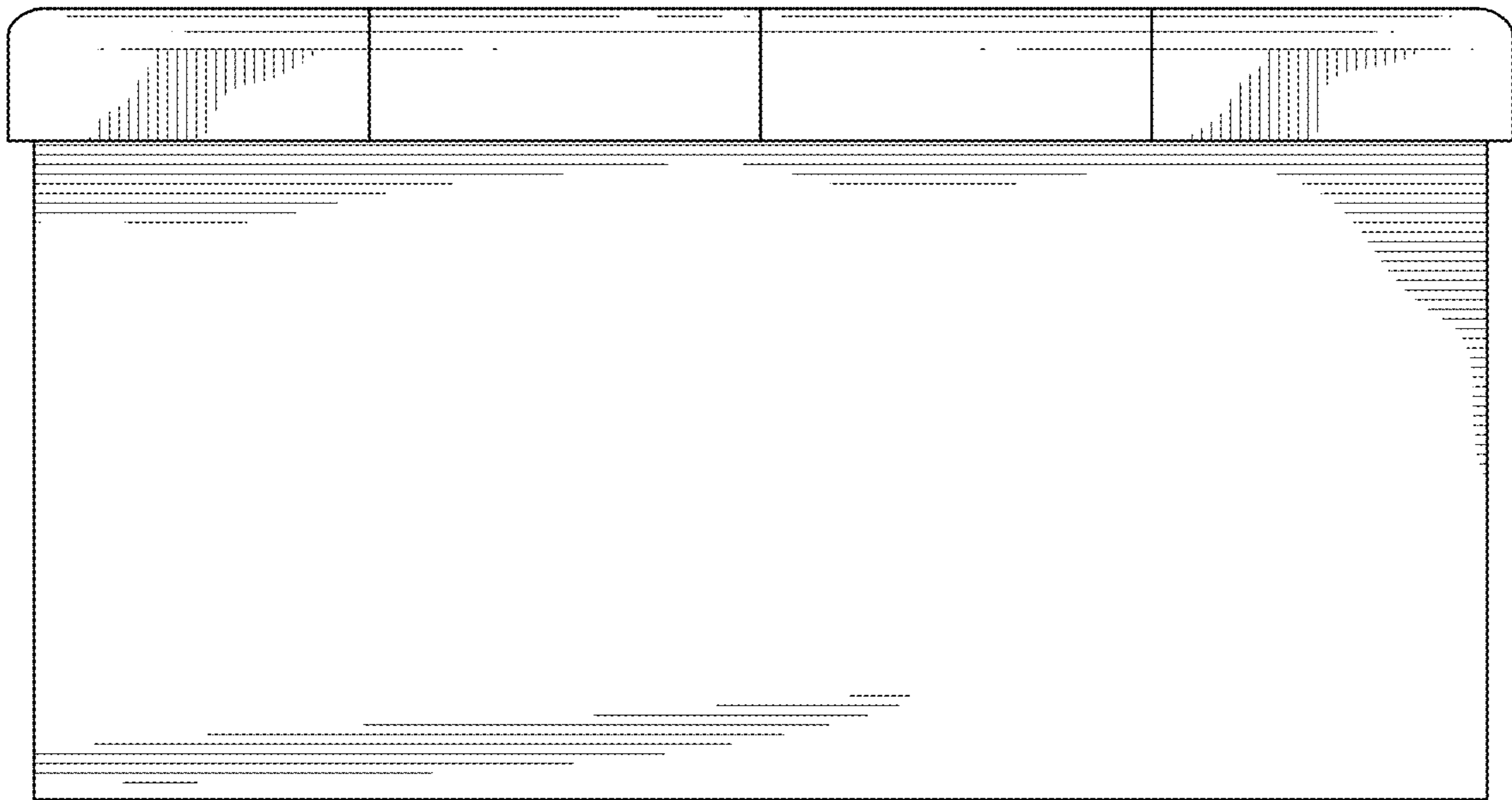


FIG. 3

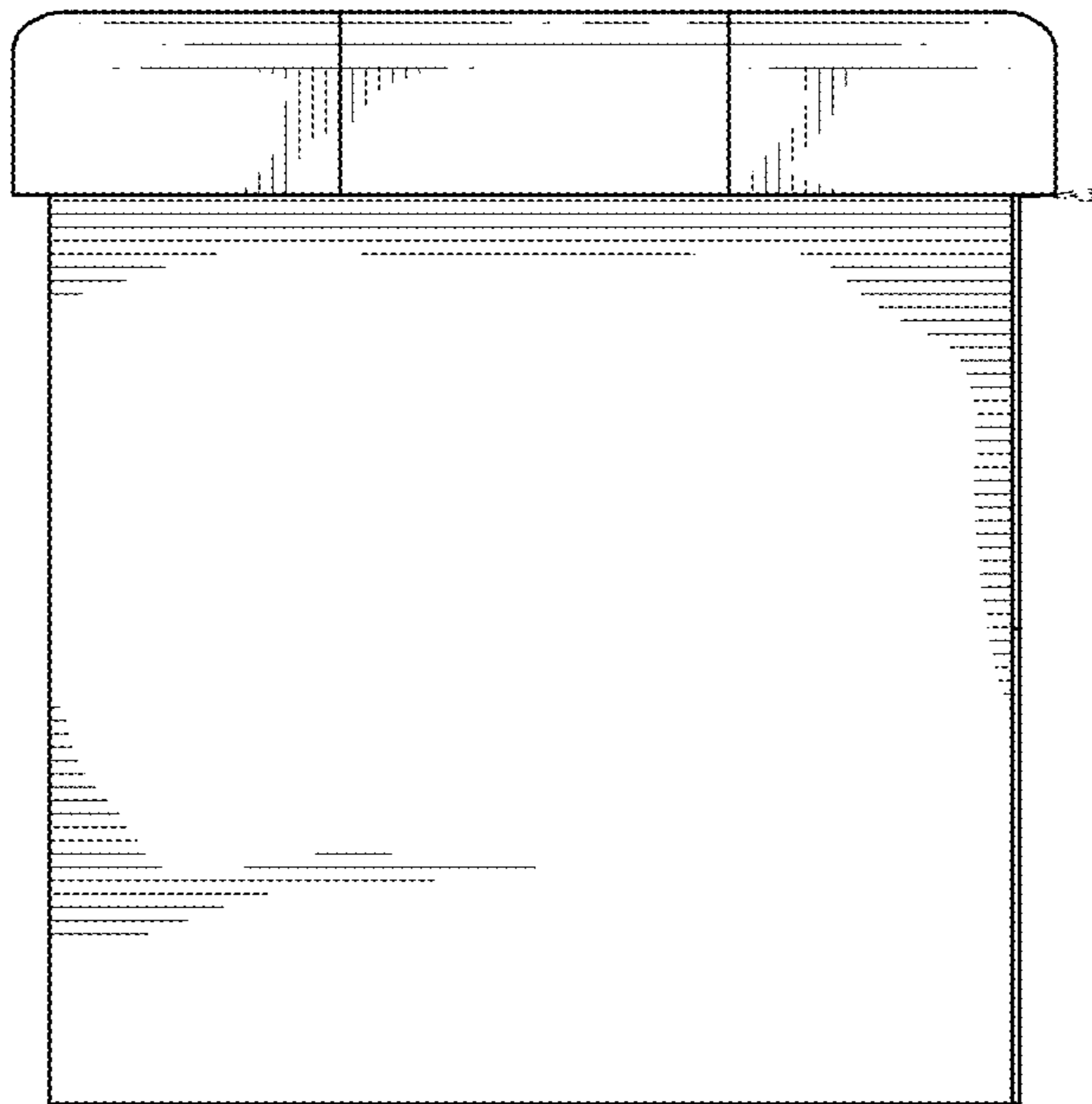


FIG.4

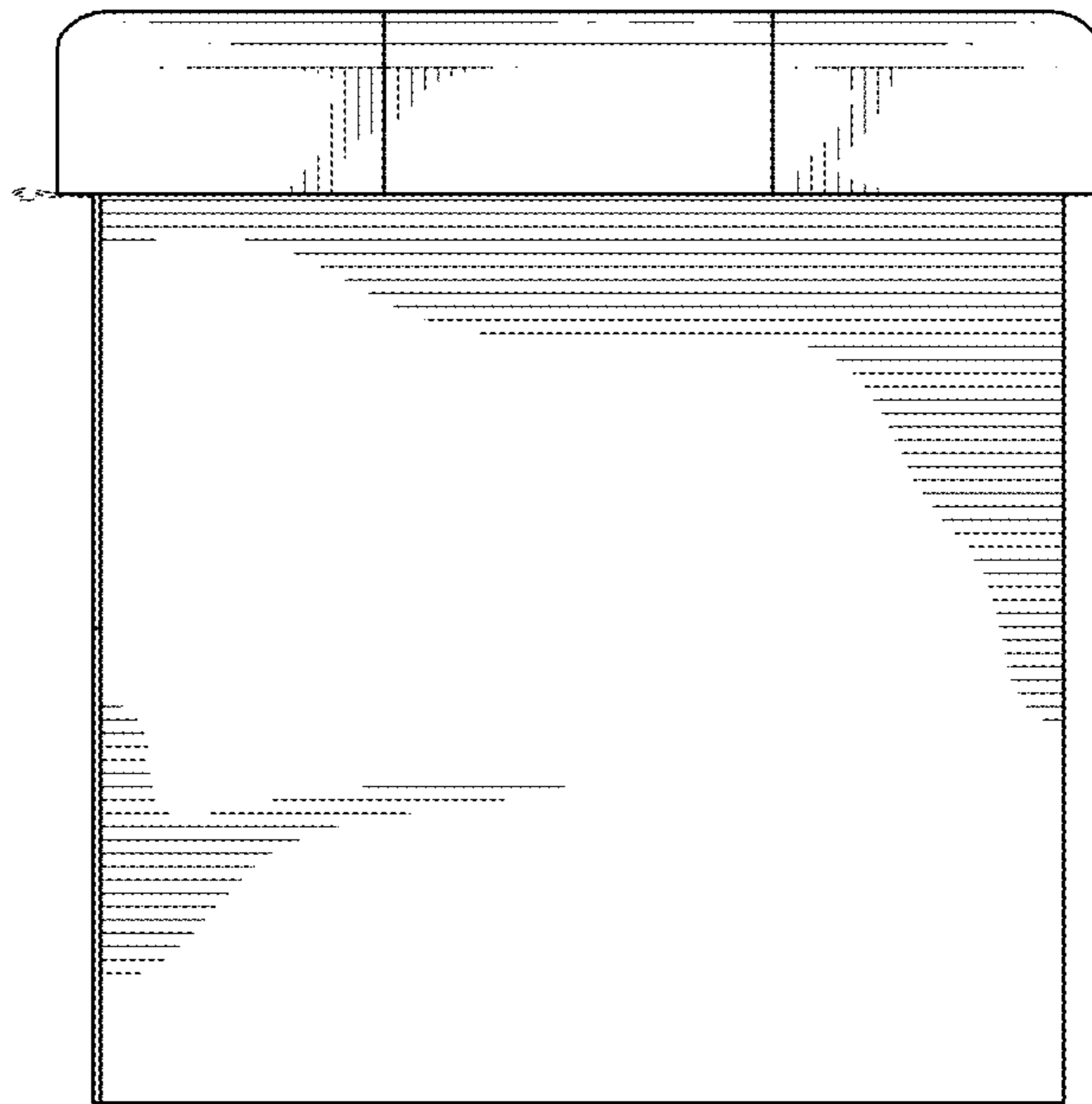


FIG.5

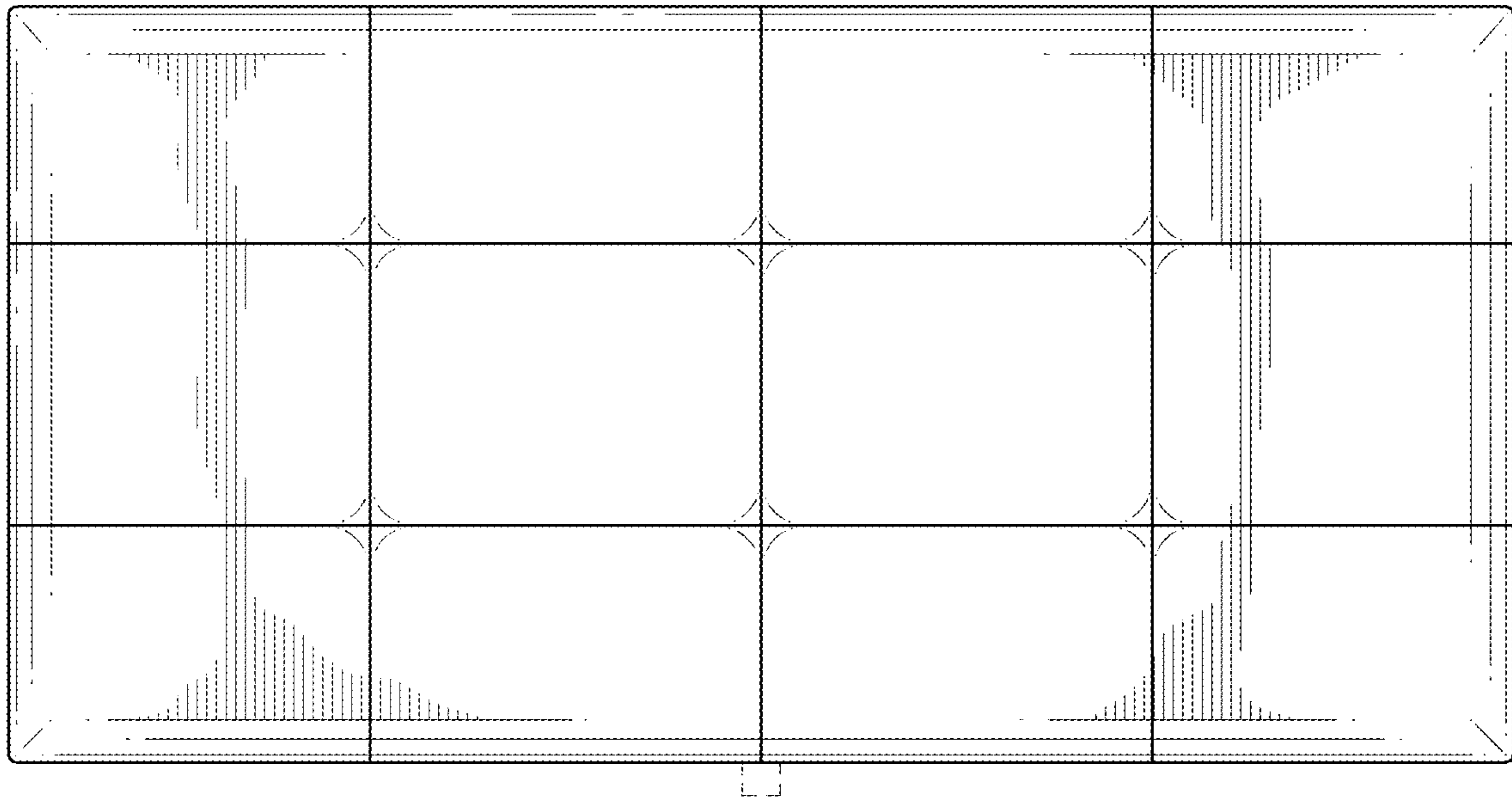


FIG.6

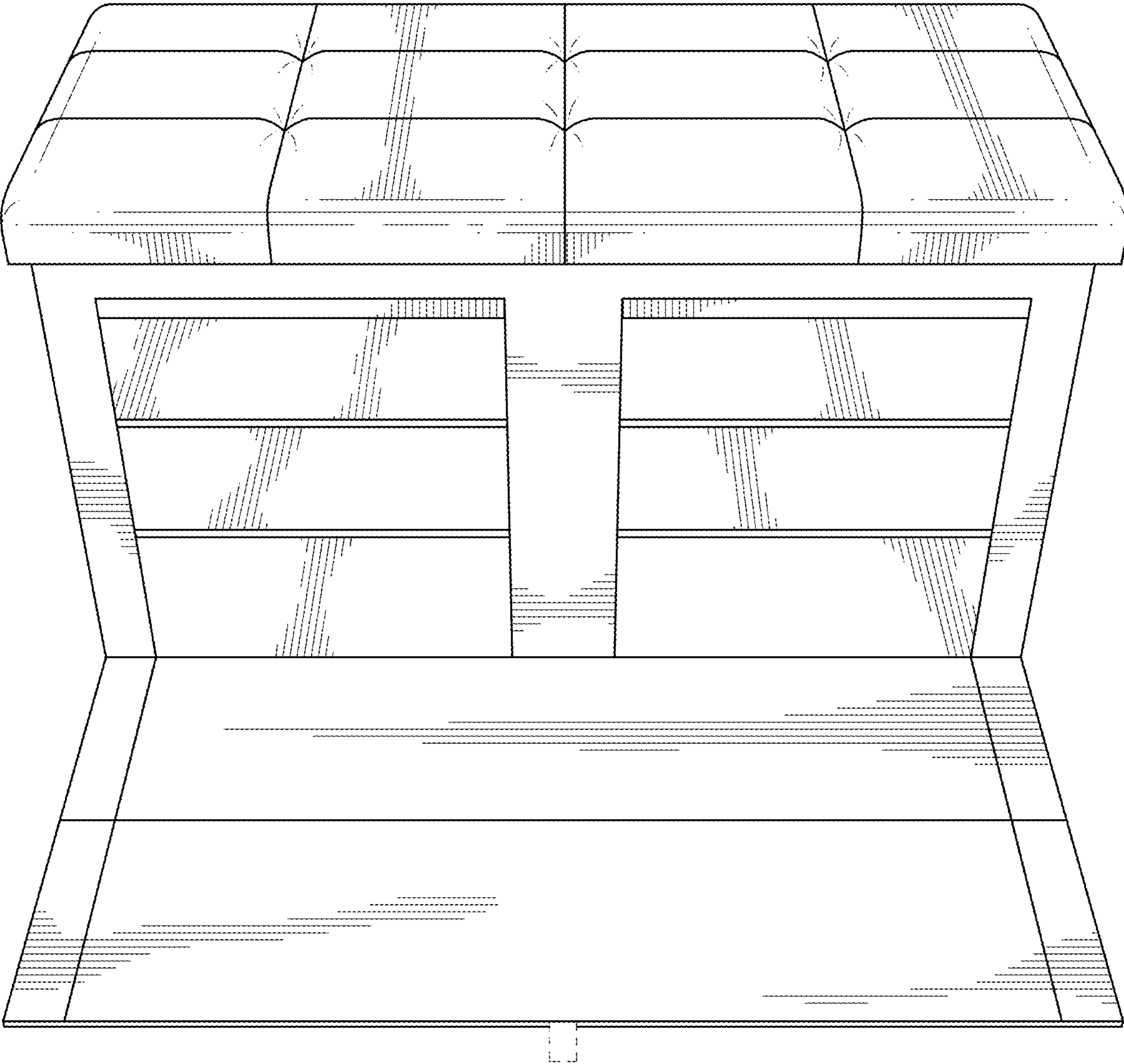


FIG. 7

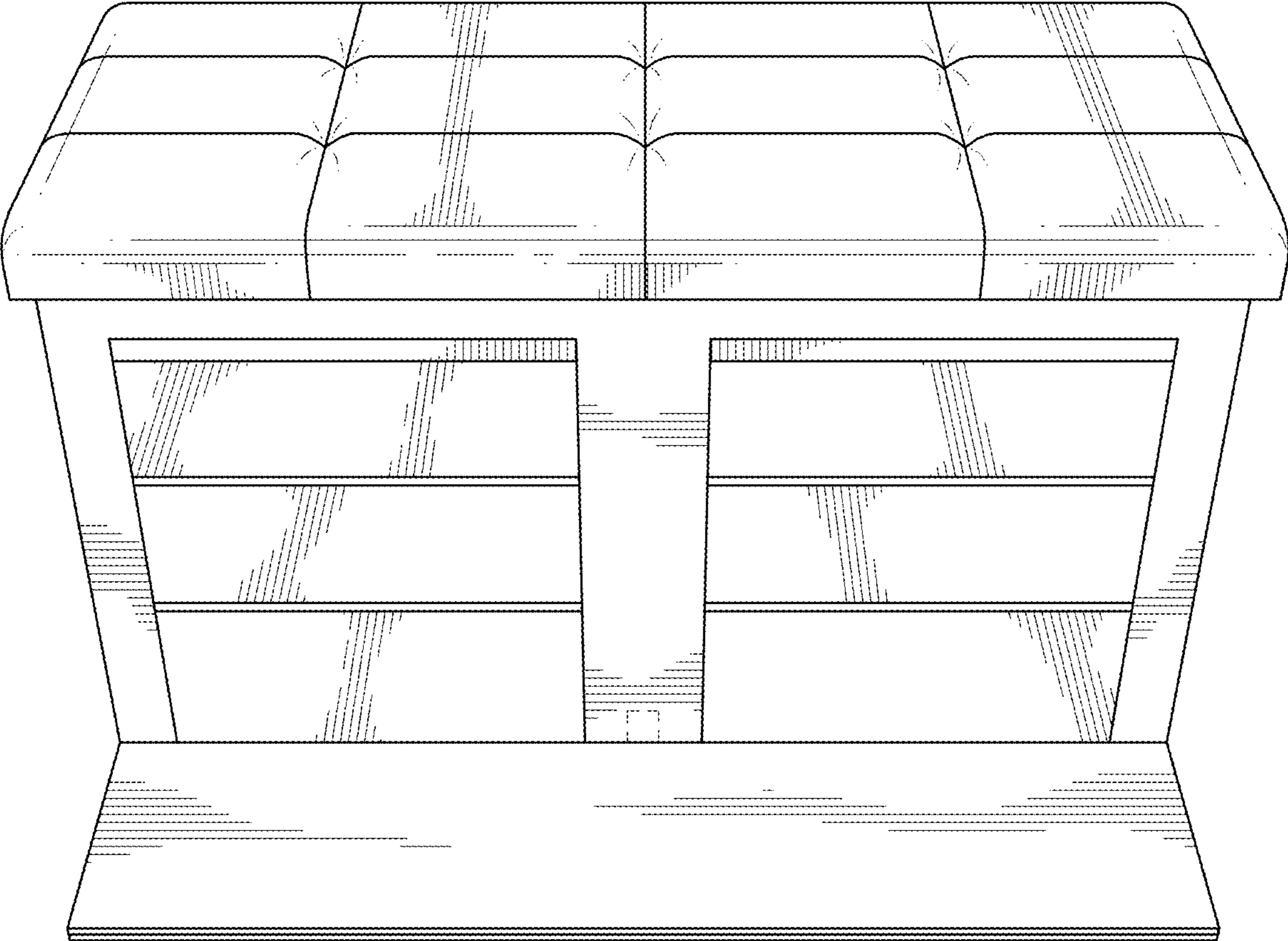


FIG.8