



US0D1045137S

(12) **United States Design Patent** (10) **Patent No.:** **US D1,045,137 S**
Dong (45) **Date of Patent:** **** Oct. 1, 2024**

(54) **LEVELING LIFT BLOCK**
(71) Applicant: **Haibin Dong**, Ningbo (CN)
(72) Inventor: **Haibin Dong**, Ningbo (CN)
(**) Term: **15 Years**
(21) Appl. No.: **29/885,220**

(22) Filed: **Feb. 22, 2023**
(51) **LOC (14) Cl.** **25-01**
(52) **U.S. Cl.**
USPC **D25/113**
(58) **Field of Classification Search**
USPC D10/62, 65, 69, 70, 71, 74, 75, 78, 80;
D25/113
CPC ... E04C 1/395; E04C 1/24; E04C 5/02; E04C
5/168; E04C 1/397; E04C 1/41; E04B
2/08; E04B 2002/0206; E04B 2002/749
See application file for complete search history.

(56) **References Cited**

U.S. PATENT DOCUMENTS

1,945,681	A *	2/1934	Farrens	E04B 2/02 52/605
2,201,110	A *	5/1940	Makram	E04B 2/42 D25/113
2,877,506	A *	3/1959	Almoslino	A47C 7/16 52/574
D186,371	S *	10/1959	Johnson	52/316
D200,644	S *	3/1965	Frese	D25/58
D201,966	S *	8/1965	Frese	D25/113
D220,622	S *	5/1971	Passander	D25/118
3,780,484	A *	12/1973	Muse	E04B 2/46 52/568
4,107,894	A *	8/1978	Mullins	E04B 2/18 52/592.6
4,426,815	A *	1/1984	Brown	E04B 2/18 D25/115
4,436,447	A *	3/1984	Crowe	E02B 3/123 52/592.1
D301,064	S *	5/1989	Forsberg	D25/116

D329,066	S *	9/1992	Jarnros	D21/500
D336,140	S *	6/1993	Lavery	D25/113
5,230,195	A *	7/1993	Sease	E04B 2/18 52/603
5,337,527	A *	8/1994	Wagenaar	E04C 1/395 52/169.1
D350,824	S *	9/1994	Perrin, Jr.	D25/113
D352,560	S *	11/1994	Lin	D25/118

(Continued)

OTHER PUBLICATIONS

QSA 1 Set of Cast Iron 2" Tapered Lift Blocks Compatible with Toyota Tacoma Tundra Dodge Ram, Amazon, Title, site, publication date Mar. 18, 2021, (online) URL: https://www.amazon.com/TAPERED-Blocks-Toyota-Chevrolet-Silverado/dp/B00NBE0YVM/ref=pd_ci_mex_di_int_sccai_cn_d_scc1_2_1/145-5847509-6582544 (Year: 2021).*

(Continued)

Primary Examiner — George D. Kirschbaum
Assistant Examiner — Antoinette Martine Suiter
(74) *Attorney, Agent, or Firm* — Jose Cherson Weissbrot

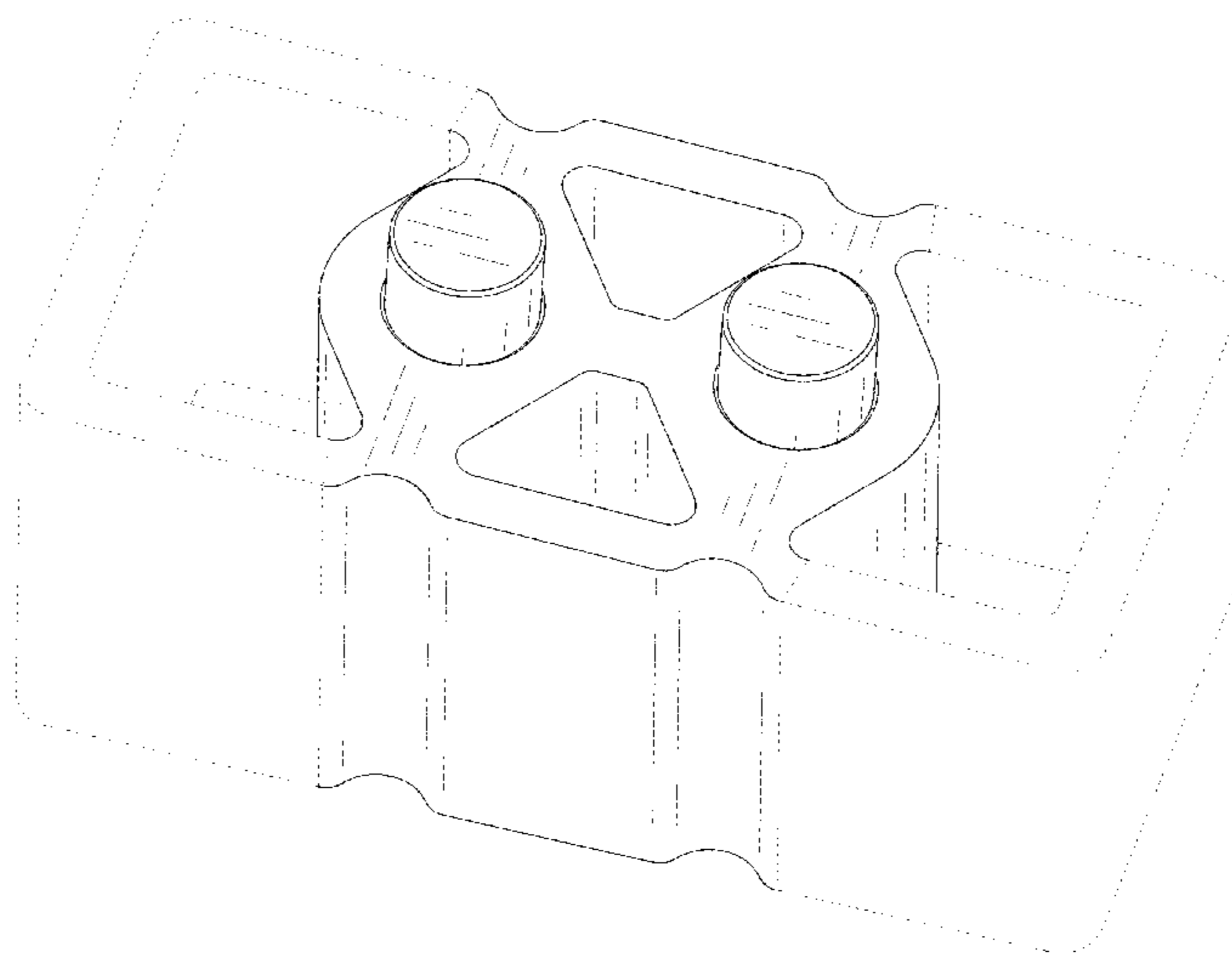
(57) **CLAIM**

The ornamental design for a leveling lift block, as shown and described.

DESCRIPTION

FIG. 1 is a top perspective view of a levelling lift block, showing my new design;
FIG. 2 is a bottom perspective view thereof;
FIG. 3 is a front elevational view thereof, the rear elevational view is identical;
FIG. 4 is a left side view thereof;
FIG. 5 is a right side view thereof;
FIG. 6 is a top view thereof; and,
FIG. 7 is a bottom view thereof.
Broken lines in the drawings depict portions of the levelling lift block that form no part of the claimed design.

1 Claim, 6 Drawing Sheets



(56)

References Cited

U.S. PATENT DOCUMENTS

D377,532 S * 1/1997 Lin D21/500
 5,771,650 A * 6/1998 Williams F16B 5/0642
 52/568
 D420,711 S * 2/2000 Glickman D21/504
 D433,157 S * 10/2000 Whitson D25/113
 6,145,266 A * 11/2000 VonDross E04C 1/39
 52/311.2
 D457,971 S * 5/2002 Schrader D25/113
 D459,487 S * 6/2002 Bott D25/118
 D465,034 S * 10/2002 Mondo D25/113
 D465,855 S * 11/2002 Risi D25/113
 D467,009 S * 12/2002 Agee D25/113
 D468,839 S * 1/2003 Bland D25/113
 D481,136 S * 10/2003 Dean D25/113
 7,037,047 B1 * 5/2006 Tufts E02D 29/025
 405/286
 D595,868 S * 7/2009 Hammer D25/113
 D615,216 S * 5/2010 Jacot D25/118
 D624,205 S * 9/2010 O'Connor D25/113
 D633,630 S * 3/2011 Jacot D25/118
 D647,218 S * 10/2011 MacDonald D25/113
 D650,918 S * 12/2011 Hammer D25/113
 D655,425 S * 3/2012 Wauhopp D25/113
 D659,263 S * 5/2012 Jacot D25/113
 D665,514 S * 8/2012 MacDonald D25/113
 D671,657 S * 11/2012 MacDonald D25/113
 D674,917 S * 1/2013 Nanayakkara D25/113
 D675,749 S * 2/2013 Nanayakkara D25/113
 D685,502 S * 7/2013 MacDonald D25/113
 D686,756 S * 7/2013 Nanayakkara D25/113
 D694,914 S * 12/2013 MacDonald D25/113
 8,720,130 B2 * 5/2014 Weber E04B 2/44
 52/564
 D737,465 S * 8/2015 Strzala D25/113

D737,466 S * 8/2015 Strzala D25/113
 9,290,933 B2 * 3/2016 Balducci, Jr. E04B 2/26
 D763,365 S * 8/2016 Ting D21/501
 D767,045 S * 9/2016 Ting D21/497
 D867,620 S * 11/2019 Pegg D25/114
 D893,760 S * 8/2020 Bott D25/113
 D900,342 S * 10/2020 Rainey D25/118
 D914,914 S * 3/2021 Phan D25/115
 D992,763 S * 7/2023 Hammer D25/114
 D1,014,787 S * 2/2024 Cook D8/356
 D1,015,574 S * 2/2024 Bott D25/113
 2002/0046529 A1 * 4/2002 Nanayakkara E04B 2/14
 52/592.6
 2004/0134154 A1 * 7/2004 Bott E04C 1/395
 52/561
 2008/0168725 A1 * 7/2008 Malone E04B 2/14
 52/259
 2008/0307740 A1 * 12/2008 MacDonald E02D 29/025
 264/299
 2008/0313988 A1 * 12/2008 MacDonald E02D 29/02
 52/385
 2009/0188196 A1 * 7/2009 MacDonald E04C 1/395
 52/562
 2011/0185673 A1 * 8/2011 Ferguson B28B 7/0064
 52/745.1
 2019/0136533 A1 * 5/2019 Ness E04C 5/168

OTHER PUBLICATIONS

Dynofit 3"F+3"R Full Lift Kits for 2004-2021 Ford F150 2WD/4WD, 3 Inch Front and 3 Inch Rear Strut Spacer Suspension Lift Kits Lift Spacers, amazon.com, Dec. 12, 2022, Dynofit, https://www.amazon.com/dp/B0BPRVLK43?ref=myi_title_dp&th=1, (Last accessed : Feb. 21, 2023).

* cited by examiner

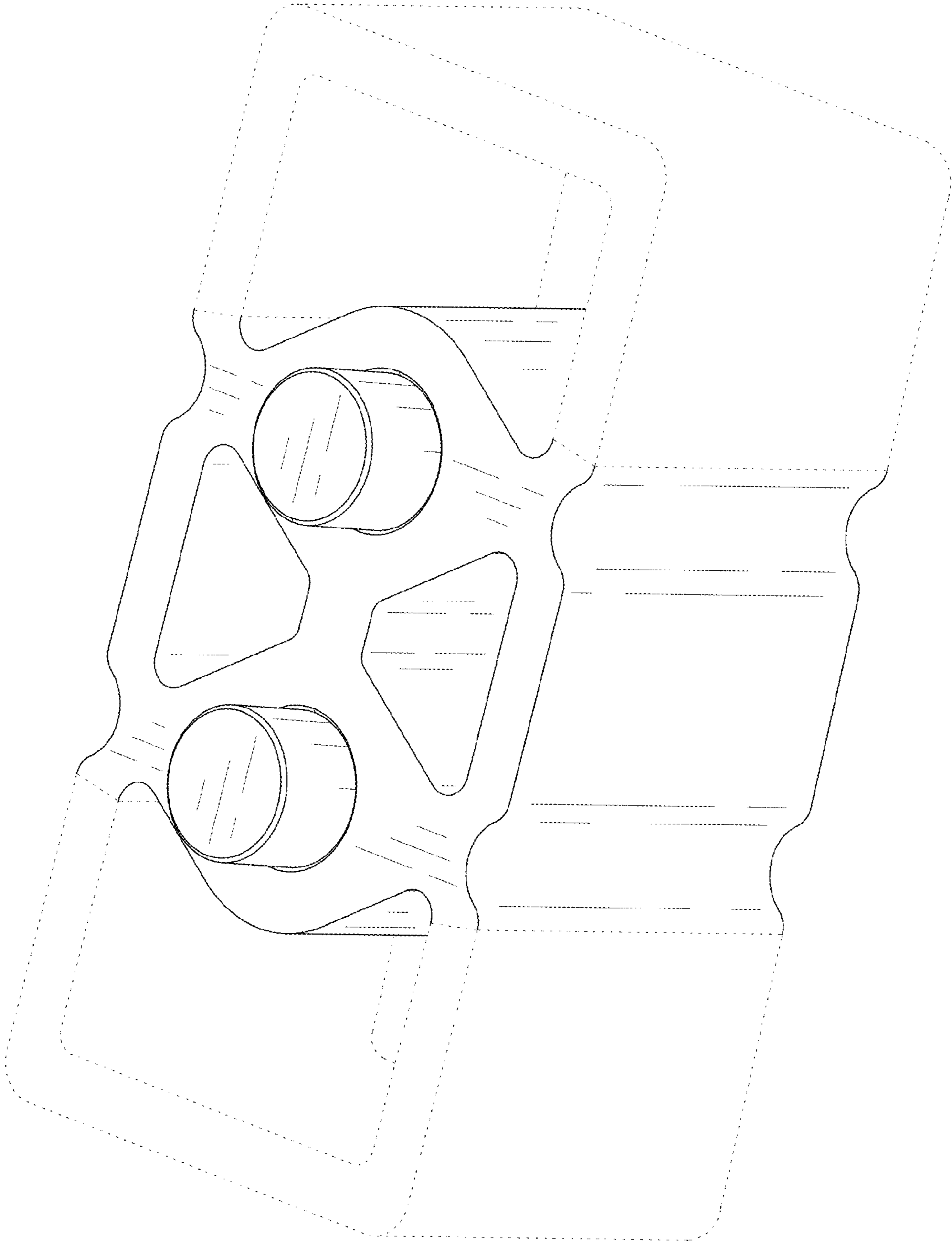


FIG. 1

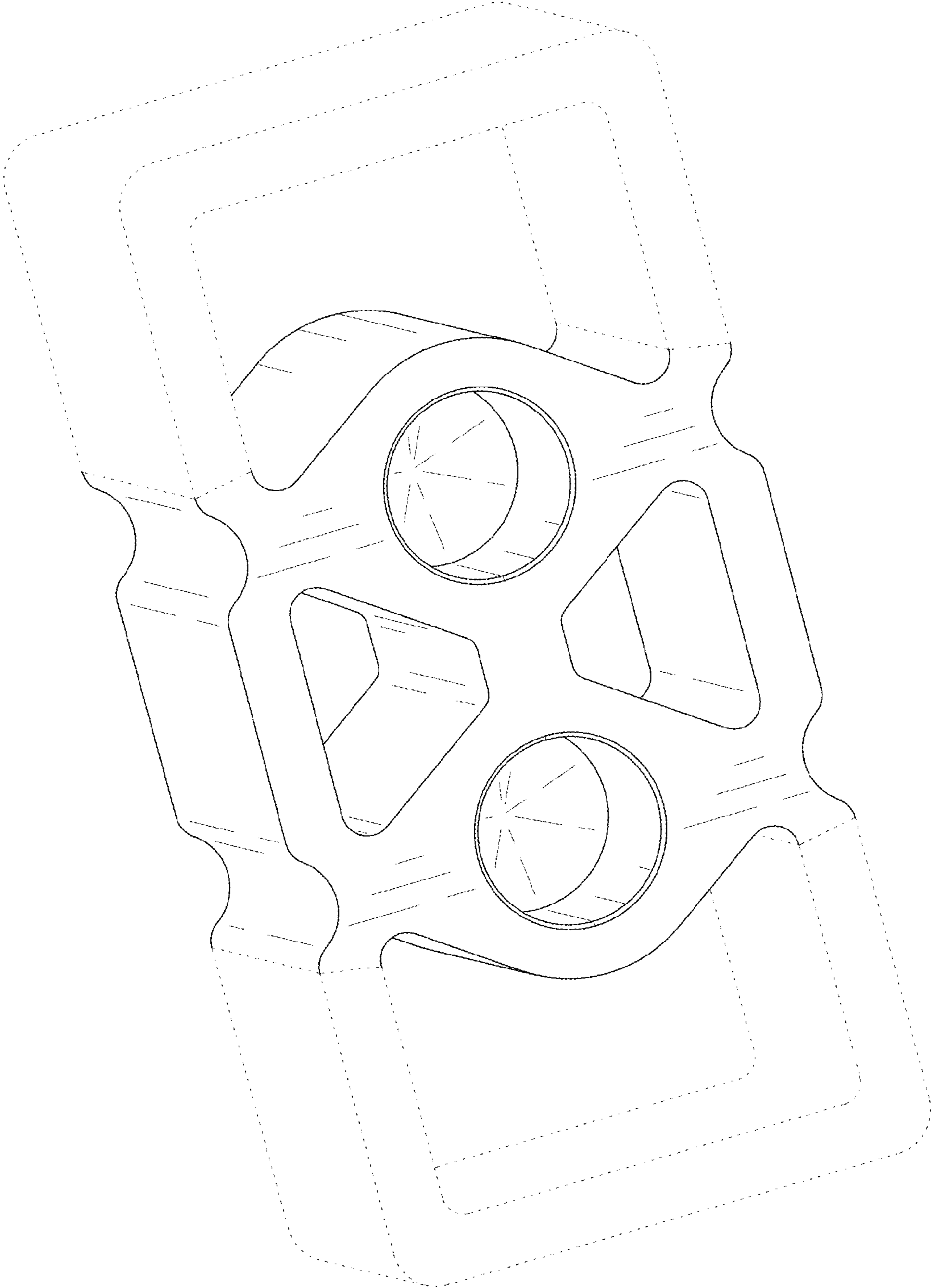


FIG. 2

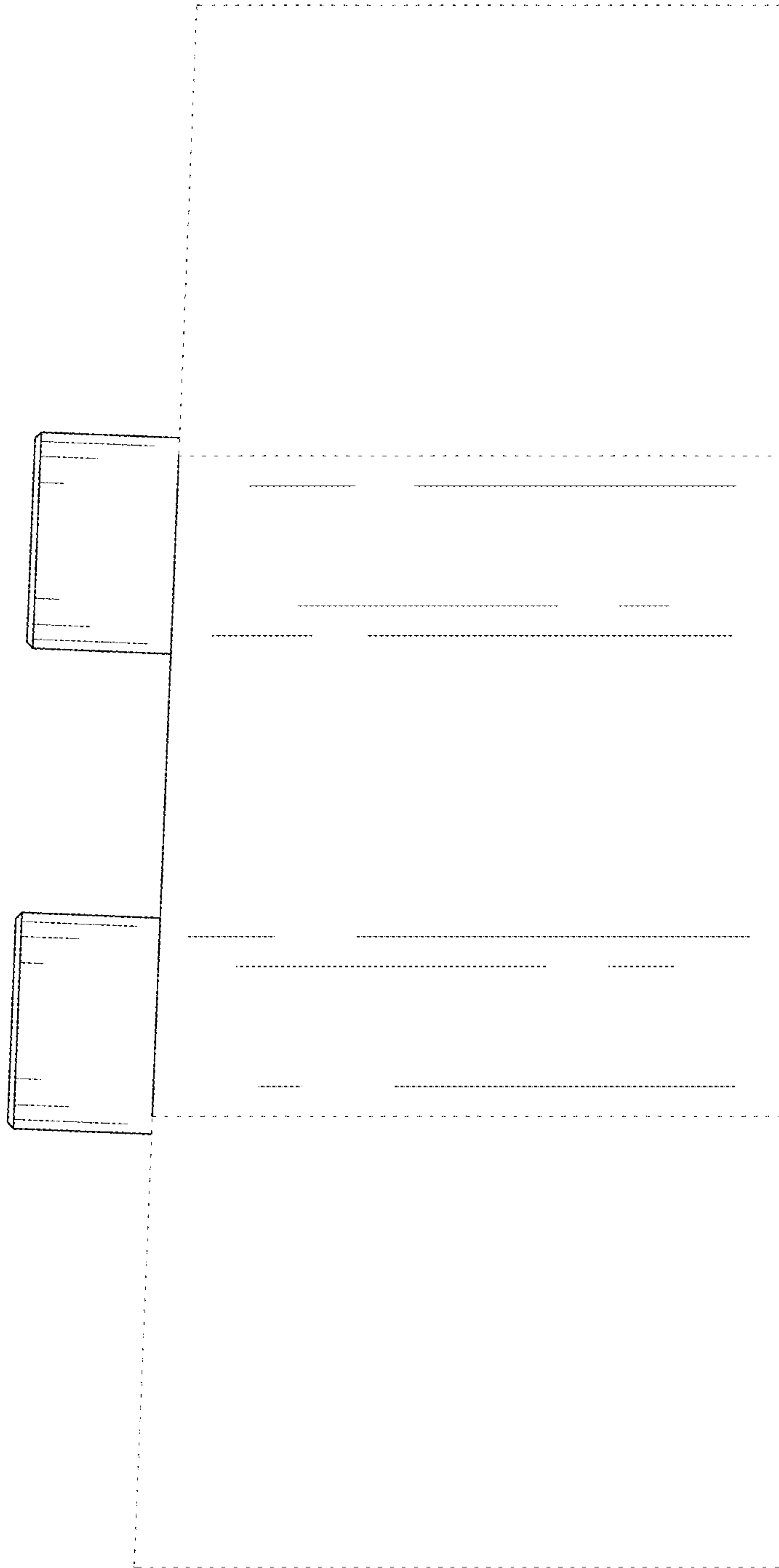


FIG. 3

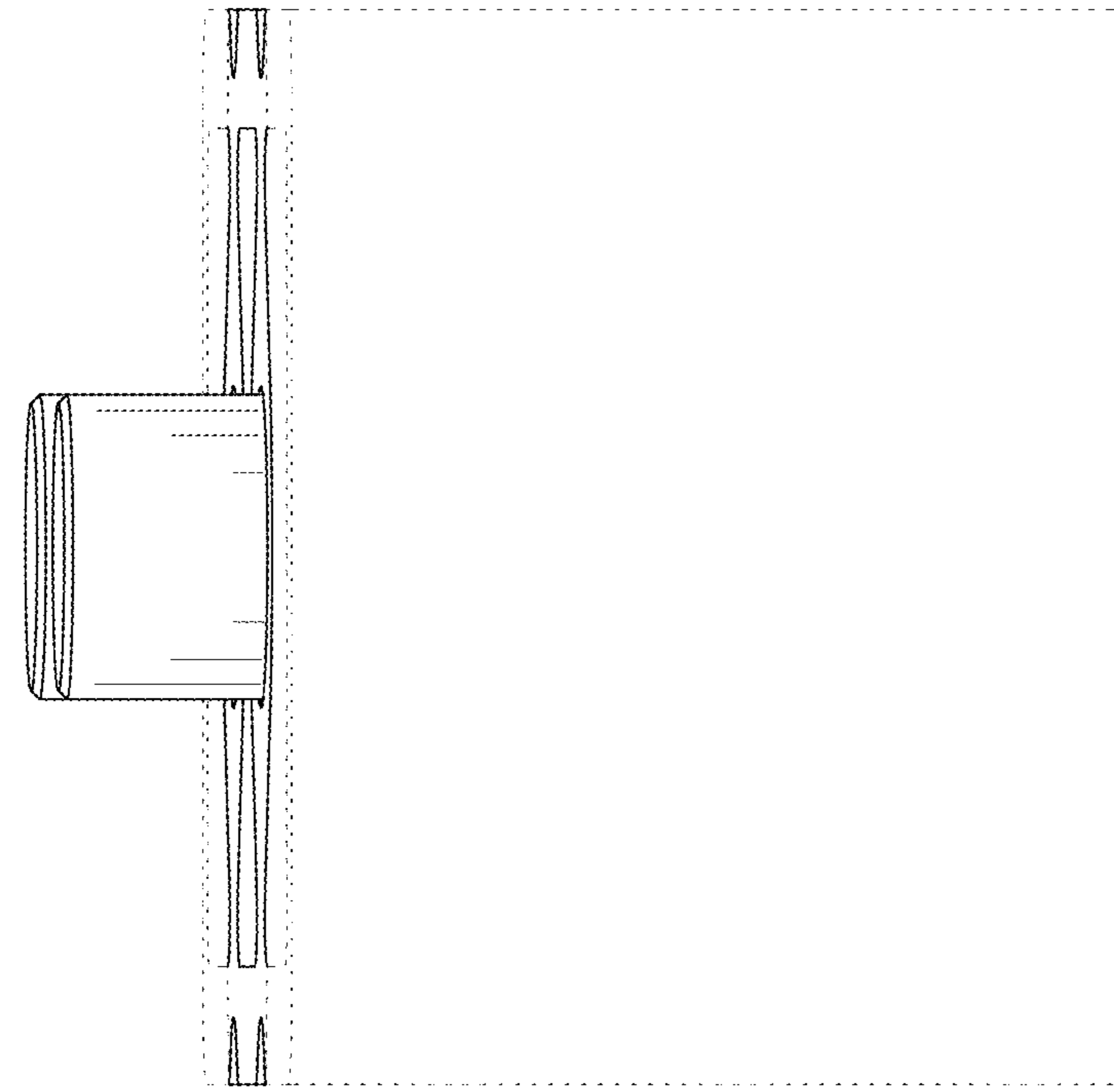


FIG. 4

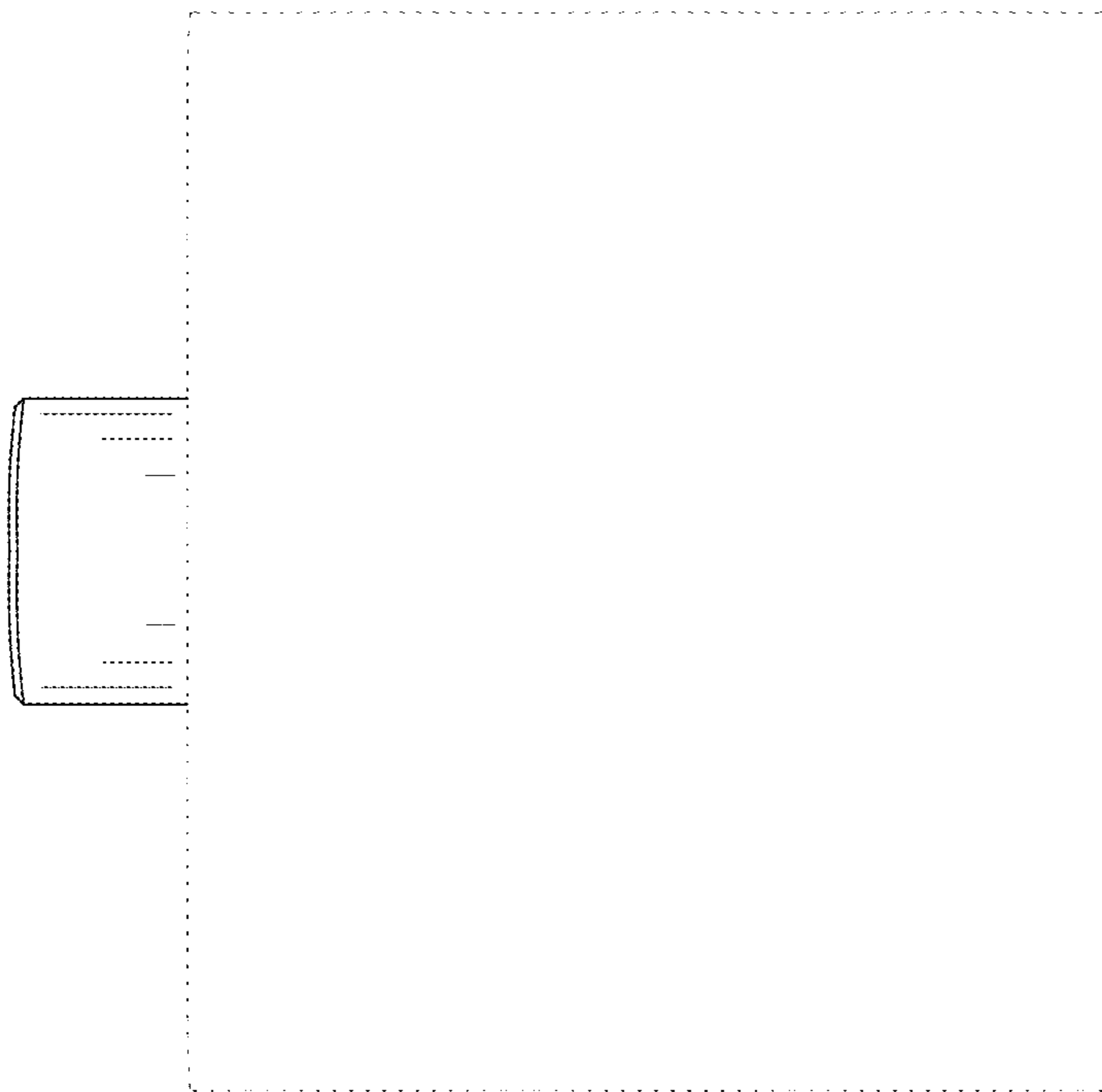


FIG. 5

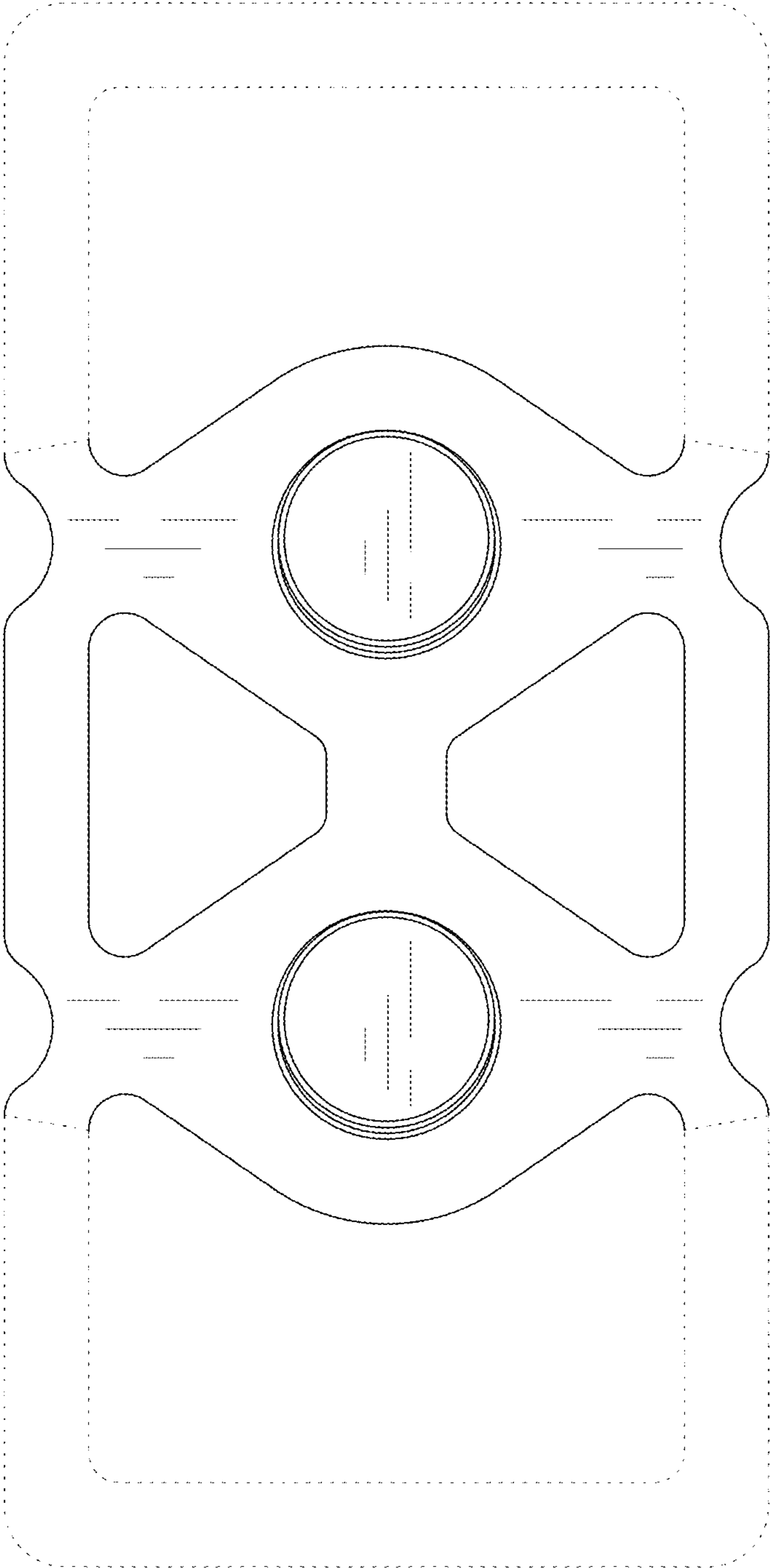


FIG. 6

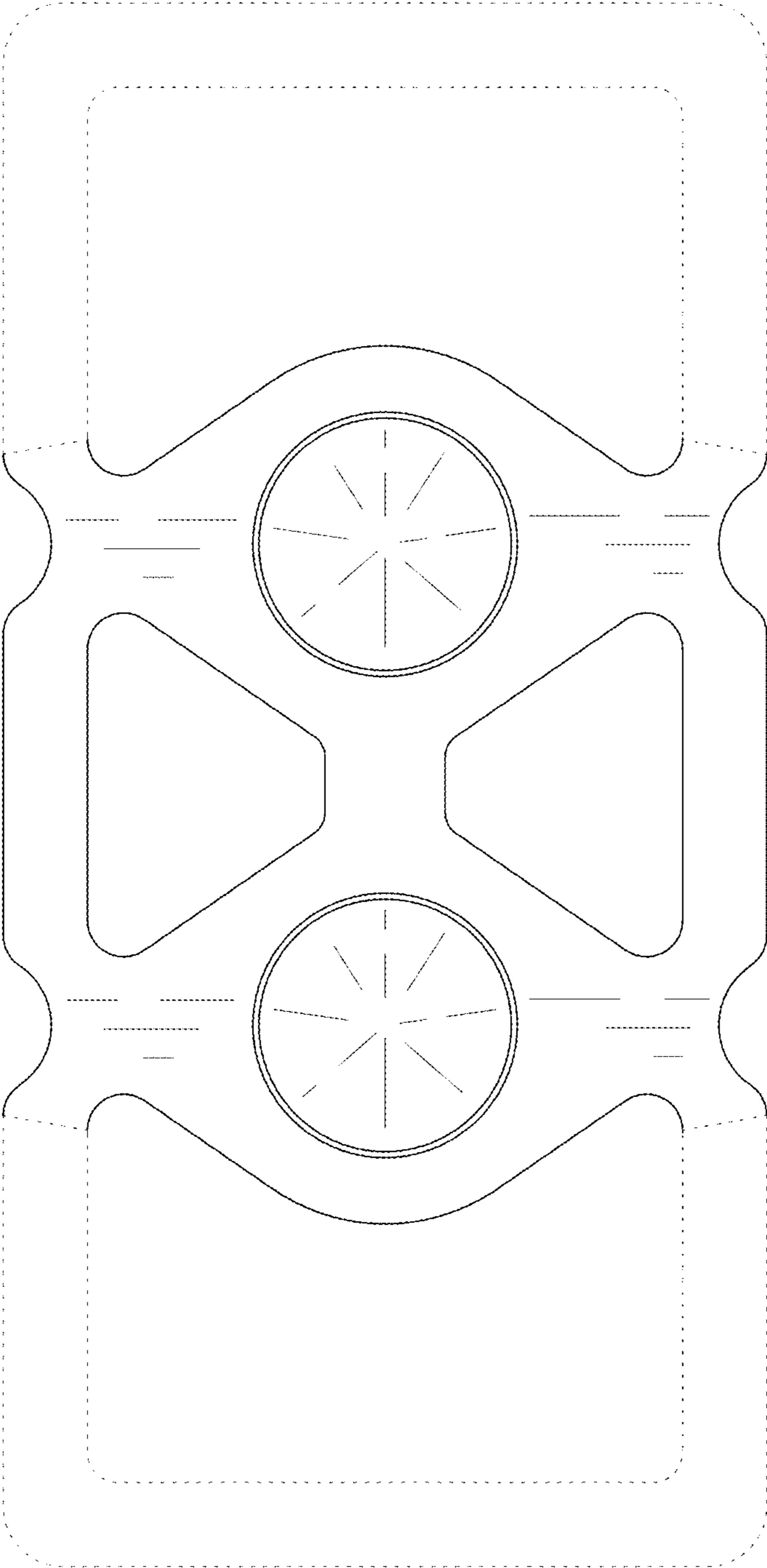


FIG. 7