



US0D1045097S

(12) **United States Design Patent**  
**Colditz**

(10) **Patent No.:** **US D1,045,097 S**

(45) **Date of Patent:** **\*\* Oct. 1, 2024**

(54) **WRIST BRACE**

(71) Applicant: **Judy Carol Colditz**, Raleigh, NC (US)

(72) Inventor: **Judy Carol Colditz**, Raleigh, NC (US)

(73) Assignee: **JUDY CAROL COLDITZ**  
**REVOCABLE TRUST**, Raleigh, NC  
(US)

(\*\*) Term: **15 Years**

(21) Appl. No.: **29/870,428**

(22) Filed: **Jan. 26, 2023**

(51) **LOC (14) Cl.** ..... **24-02**

(52) **U.S. Cl.**  
USPC ..... **D24/190**

(58) **Field of Classification Search**  
USPC ..... D24/155, 188, 189, 190, 191, 192, 200,  
D24/206, 209; D29/113, 114, 120.1,  
D29/120.2; D2/610, 621, 627  
(Continued)

(56) **References Cited**

**U.S. PATENT DOCUMENTS**

5,980,476 A \* 11/1999 Wiederrich ..... A61F 5/0118  
602/21  
D521,644 S \* 5/2006 Nordt ..... D24/190  
(Continued)

**FOREIGN PATENT DOCUMENTS**

KR 301249392.0000 \* 2/2024  
NO 2022020558 A1 1/2022

**OTHER PUBLICATIONS**

“Wristable: Wrist Brace.” Found online Mar. 15, 2024 at amazon.com. Reference dated Nov. 9, 2023. Retrieved from <https://www.amazon.com/Wristable©-Wrist-Brace-Weight-bearing-Comfortable/dp/B0CN1S5MD5?th=1>.\*

(Continued)

*Primary Examiner* — Kendra Leslie Hamilton

*Assistant Examiner* — Elizabeth S Struble

(74) *Attorney, Agent, or Firm* — Myers Bigel, P.A.

(57) **CLAIM**

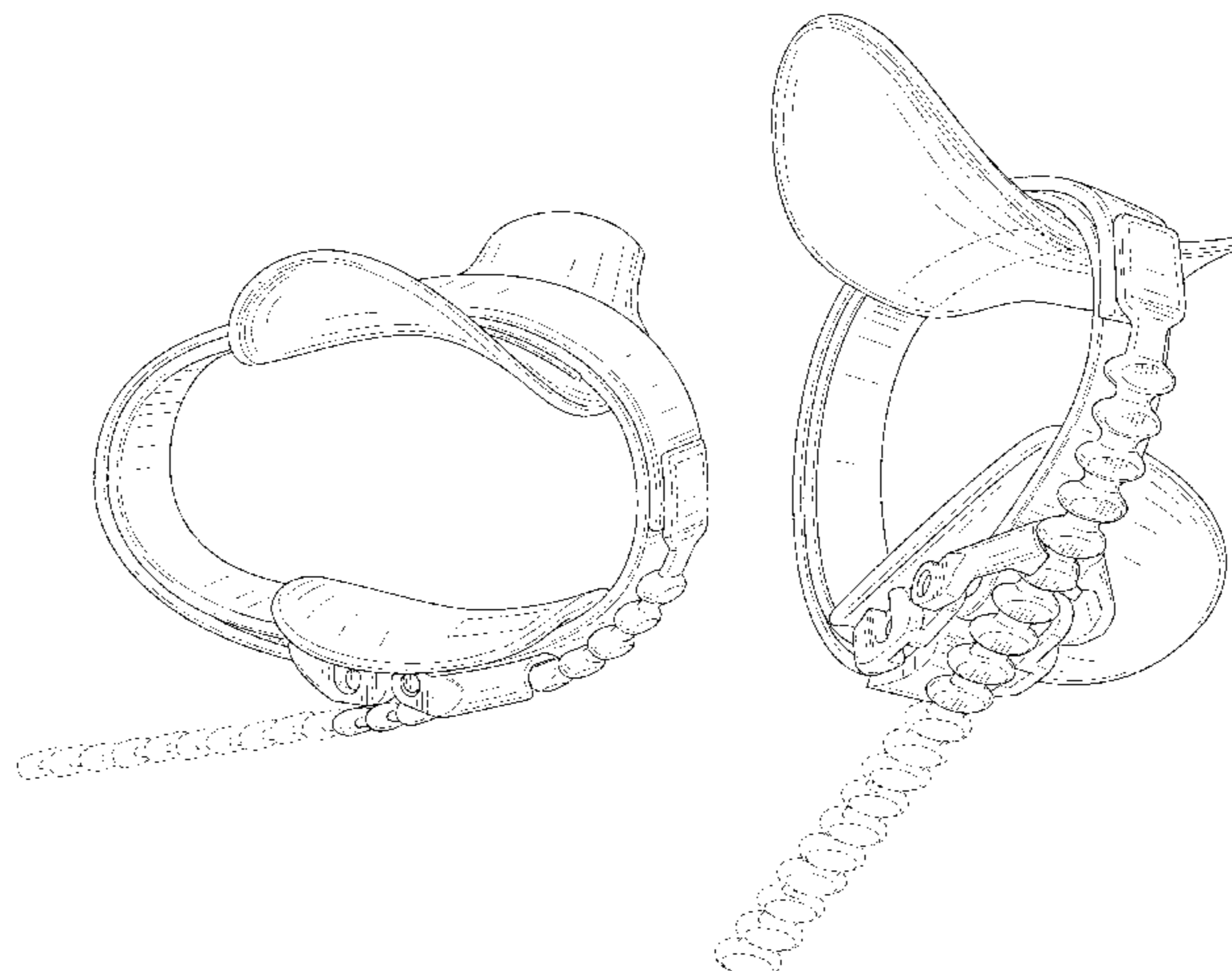
The ornamental design for wrist brace, as shown and described.

**DESCRIPTION**

FIG. 1 is top, front, left perspective view of a wrist brace, shown in a right-hand configuration;  
FIG. 2 is a left side elevation view thereof;  
FIG. 3 is a right side elevation view thereof;  
FIG. 4 is a front elevation view thereof;  
FIG. 5 is a rear elevation view thereof;  
FIG. 6 is top plan view thereof;  
FIG. 7 is a bottom plan view thereof;  
FIG. 8 is a bottom, front, left perspective view thereof;  
FIG. 9 is a bottom, rear, left perspective view of the wrist brace of FIG. 1, shown in an open configuration for clarity of disclosure;  
FIG. 10 is a top, front, left perspective view of the wrist brace of FIG. 1, shown in a condition of use;  
FIG. 11 is a top, front, right perspective view of a wrist brace, shown in a left-hand configuration;  
FIG. 12 is a right side elevation view thereof;  
FIG. 13 is a left side elevation view thereof;  
FIG. 14 is a front elevation view thereof;  
FIG. 15 is a rear elevation view thereof;  
FIG. 16 is top plan view thereof;  
FIG. 17 is a bottom plan view thereof;  
FIG. 18 is a bottom, front, right perspective view thereof;  
FIG. 19 is an bottom, rear, right perspective view of the wrist brace of FIG. 11, shown in an open configuration for clarity of disclosure; and,  
FIG. 20 is a top, front, right perspective view of the wrist brace of FIG. 11, shown in a condition of use.

In the drawings, the equal-length broken lines on the wrist brace depict unclaimed elements thereof, and form no part of the claimed design. The equal-length broken lines forming rectangles depict stitching and form no part of the claimed design. The equal-length broken lines showing a

(Continued)



hand in FIGS. 10 and 20 depict environmental structure and form no part of the claimed design.

1 Claim, 20 Drawing Sheets

(58) Field of Classification Search

CPC ..... A61F 5/0118; A61F 5/013; A61F 5/048; A61F 5/3761; A61F 5/3723; A61F 5/373; A61F 5/3738; A61F 5/05866; A61G 1/04; A61G 2210/10; A61G 2210/50; A61G 7/103; A61H 2201/1623; A61H 2201/1626

See application file for complete search history.

(56) References Cited

U.S. PATENT DOCUMENTS

D737,987	S	*	9/2015	Ho	.....	D24/190
D847,355	S	*	4/2019	Mishan	.....	D24/190
D848,005	S	*	5/2019	Adams	.....	D24/190
D891,706	S	*	7/2020	Lee	.....	D29/120.1
D980,436	S	*	3/2023	Chen	.....	D24/190

D1,003,568	S	*	11/2023	Flanagan	.....	D24/190
D1,011,537	S	*	1/2024	Liu	.....	D24/190
2004/0133137	A1	*	7/2004	Hargis	.....	A61F 5/0118
						602/21
2017/0056252	A1	*	3/2017	Arbesman	.....	A61F 5/0118
2021/0228391	A1	*	7/2021	Criticos	.....	A61F 5/0118
2022/0023083	A1		1/2022	Colditz		
2023/0000659	A1	*	1/2023	Hwang	.....	A61F 5/05866

OTHER PUBLICATIONS

“Velpeau: Quick Wrap Wrist Brace for Carpal Tunnel Relief.” Found online Mar. 15, 2024 at amazon.com. Reference dated Jun. 1, 2023. Retrieved from <https://www.amazon.com/Velpeau-Arthritis-Tendonitis-Immobilizer-Hand-Large/dp/B0C6SV4Z7C/>.\*

“McDavid: Elastic Wrist Support.” Found online Mar. 15, 2024 at amazon.com. Reference dated Sep. 4, 2007. Retrieved from <https://www.amazon.com/Doctor-Athletic-Supporter-Protection-Included/dp/B0000AU1ZX/>.\*

“EVS Store: WB01 Wrist Brace.” Found online Mar. 15, 2024 at amazon.com. Reference dated Sep. 24, 2006. Retrieved from <https://www.amazon.com/EVS-Sports-WB01-Wrist-Brace/dp/B000JG2114/>.\*

\* cited by examiner

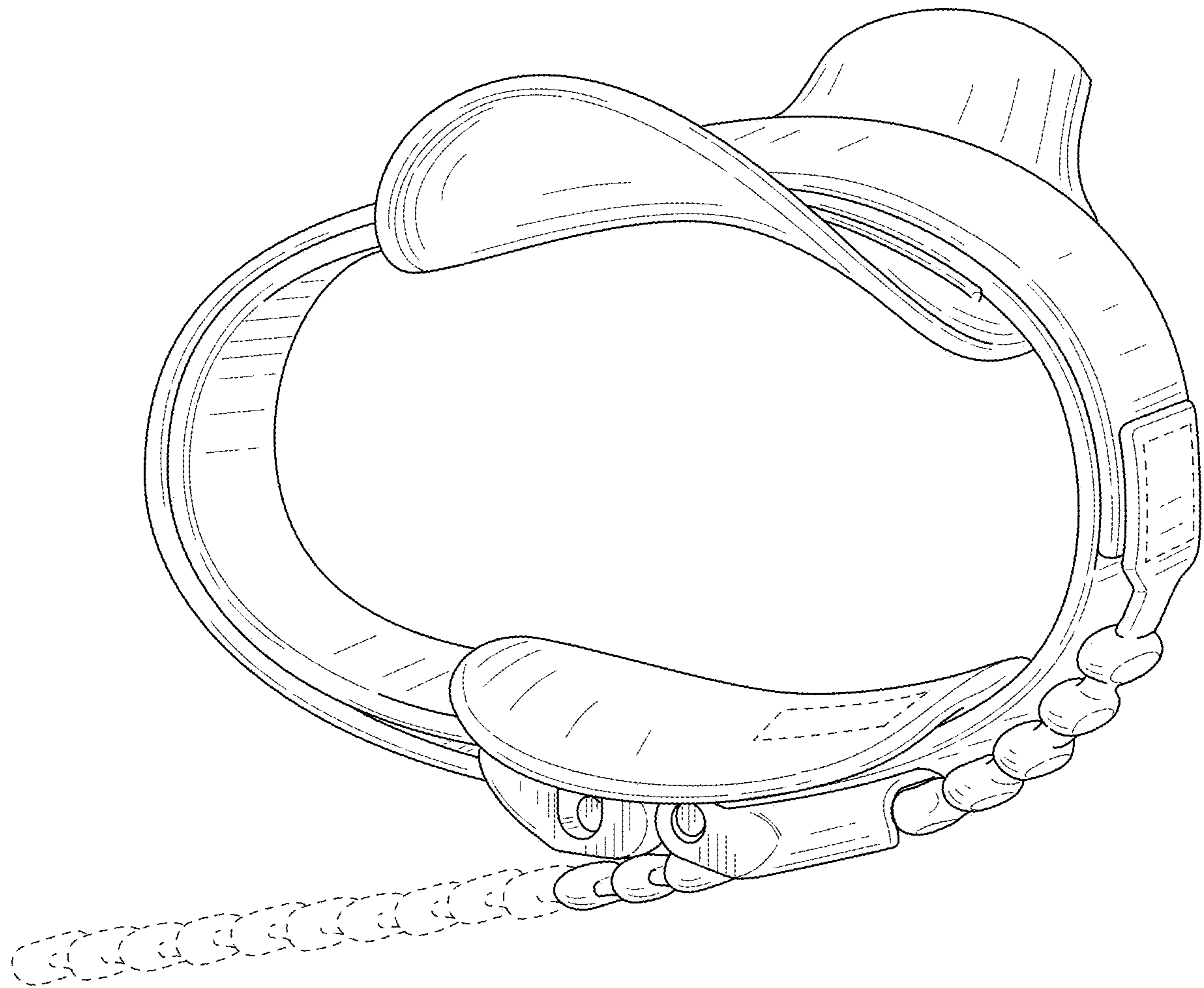


FIG. 1

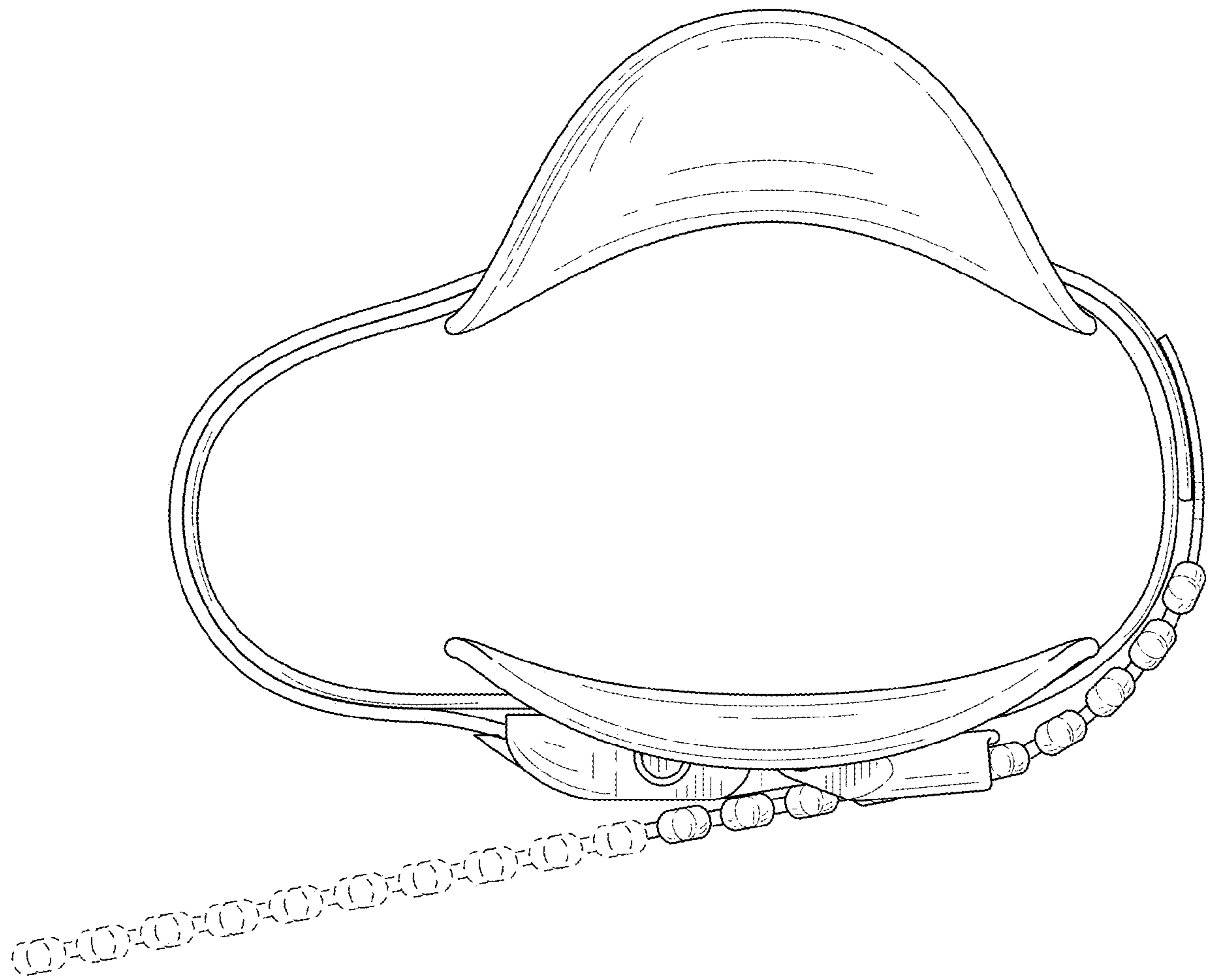


FIG. 2



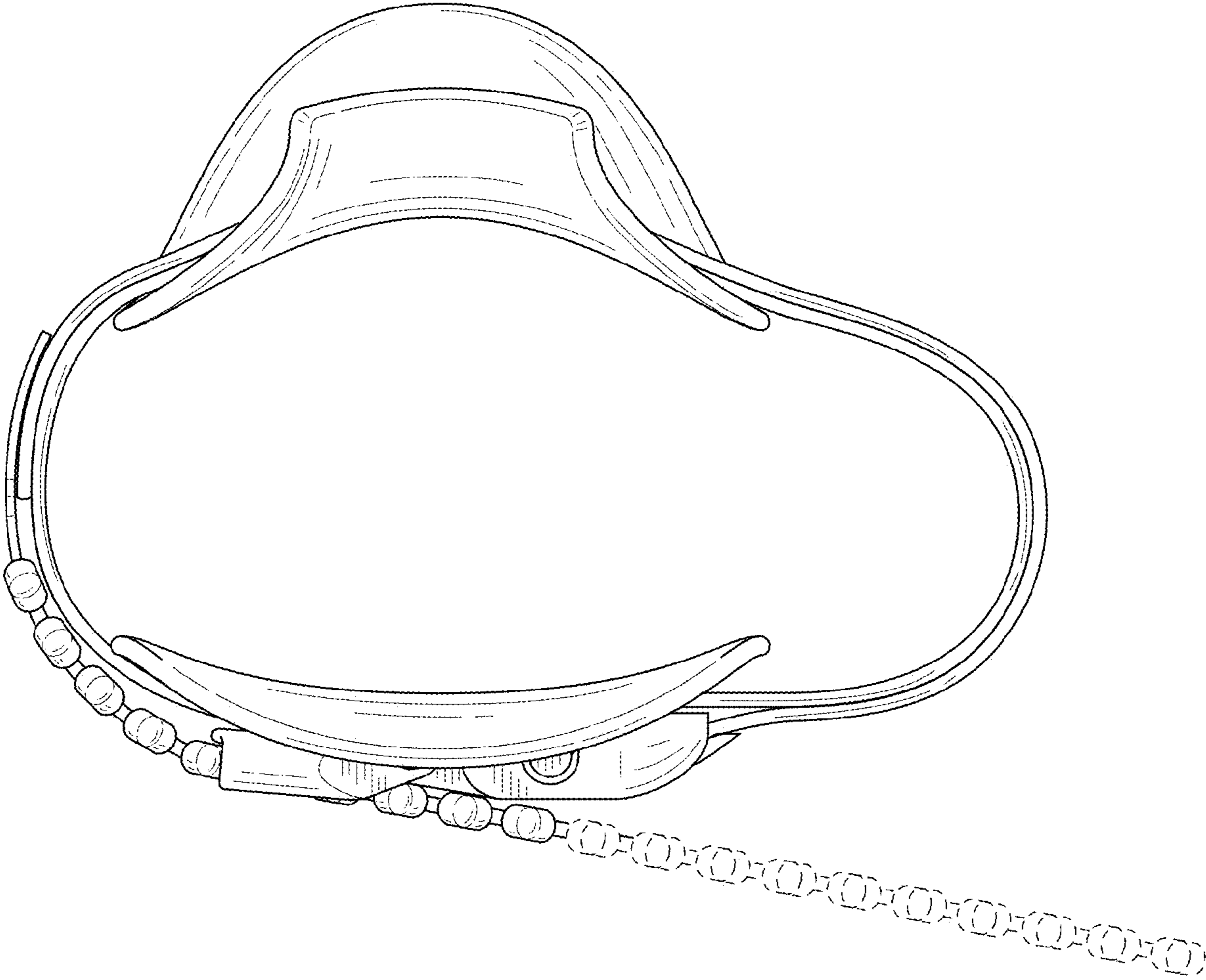


FIG. 3

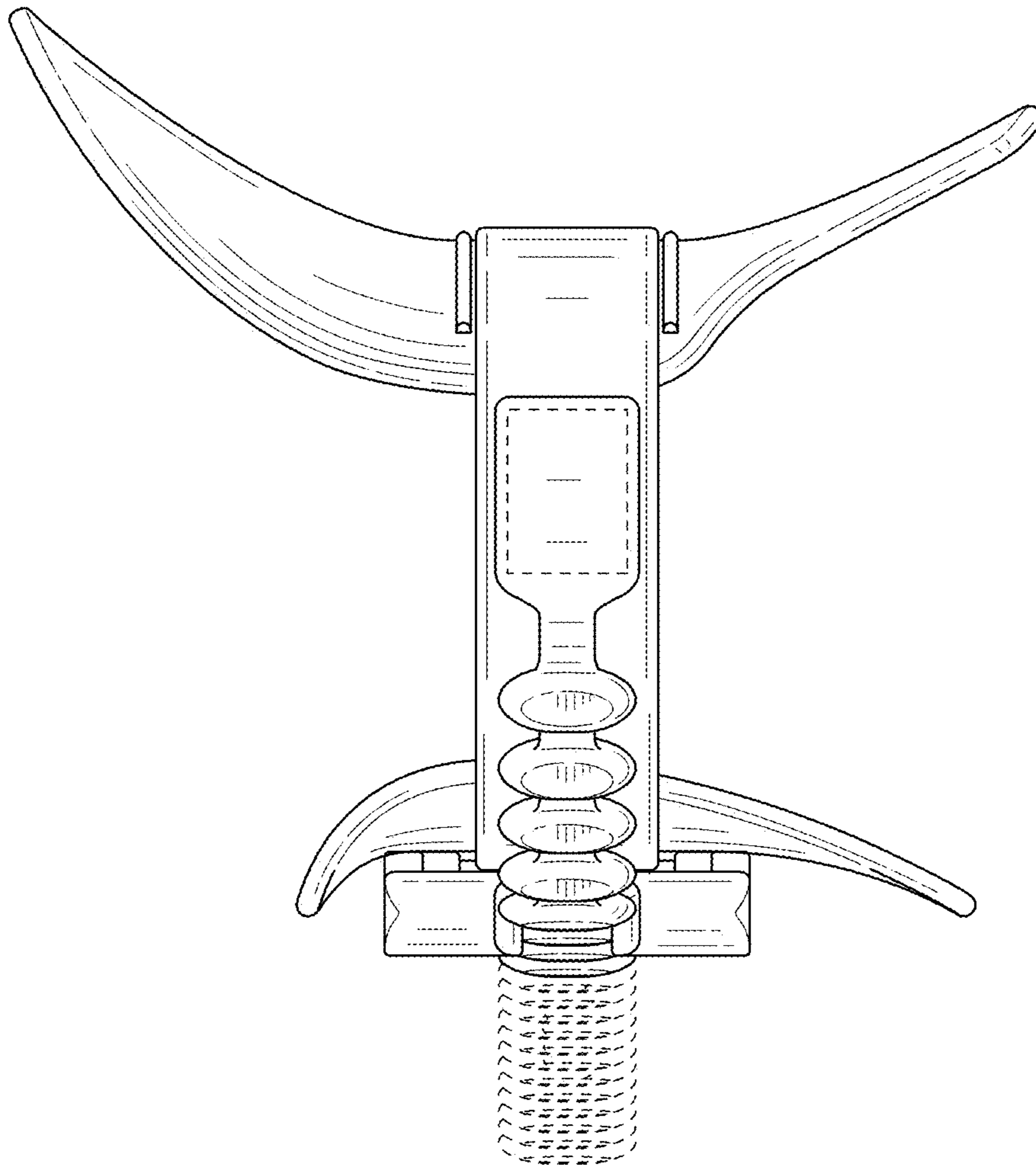


FIG. 4

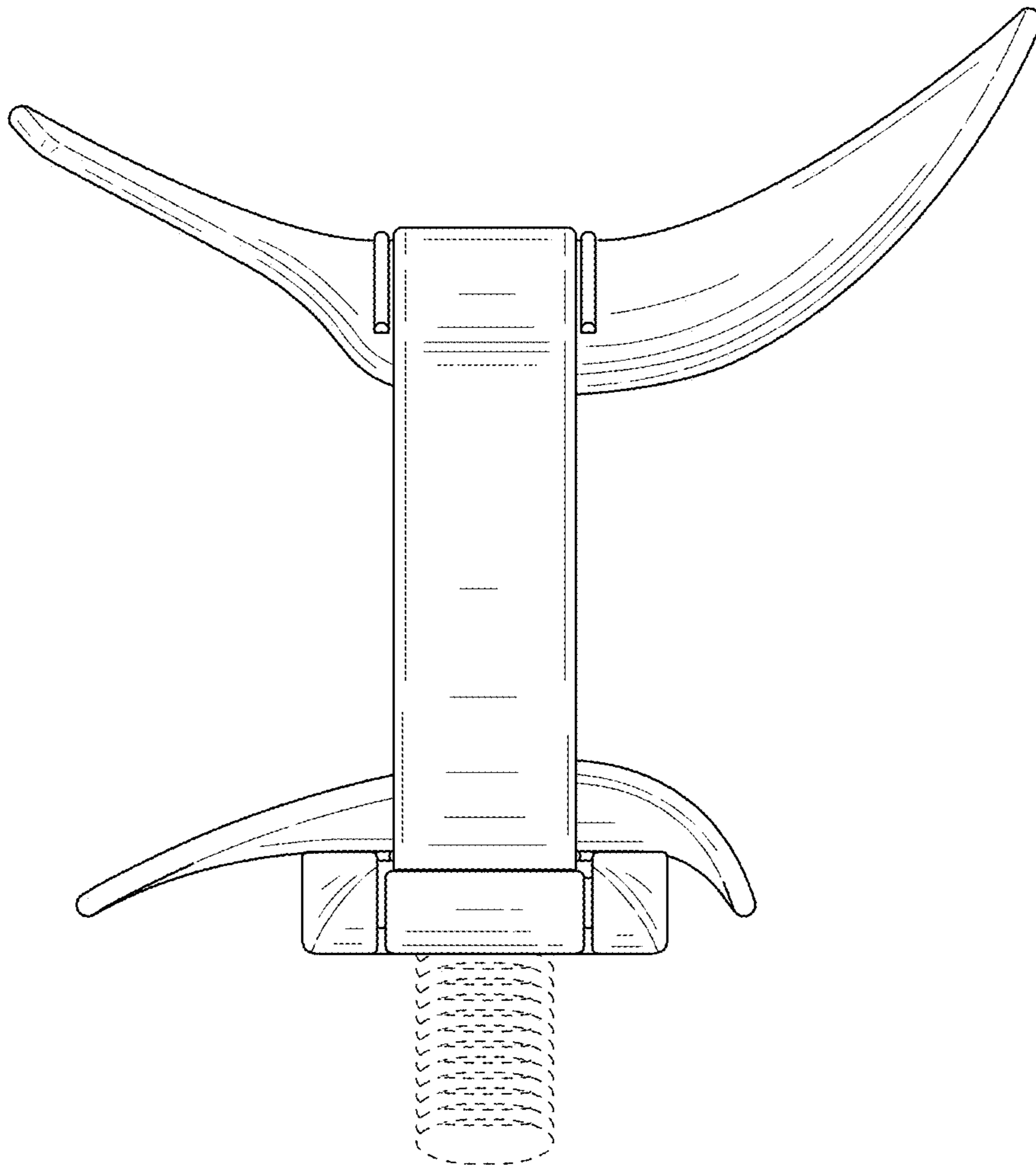


FIG. 5

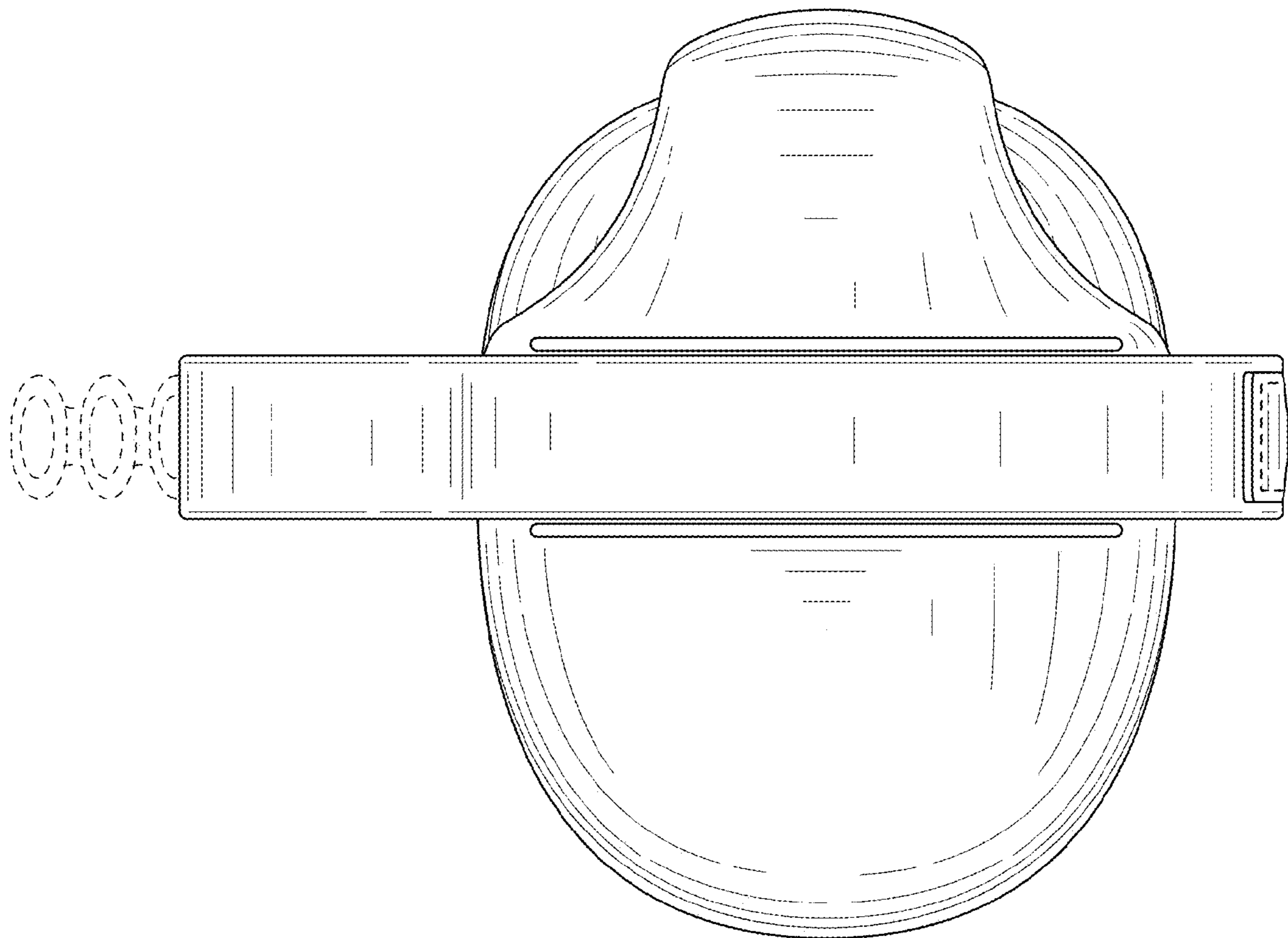


FIG. 6



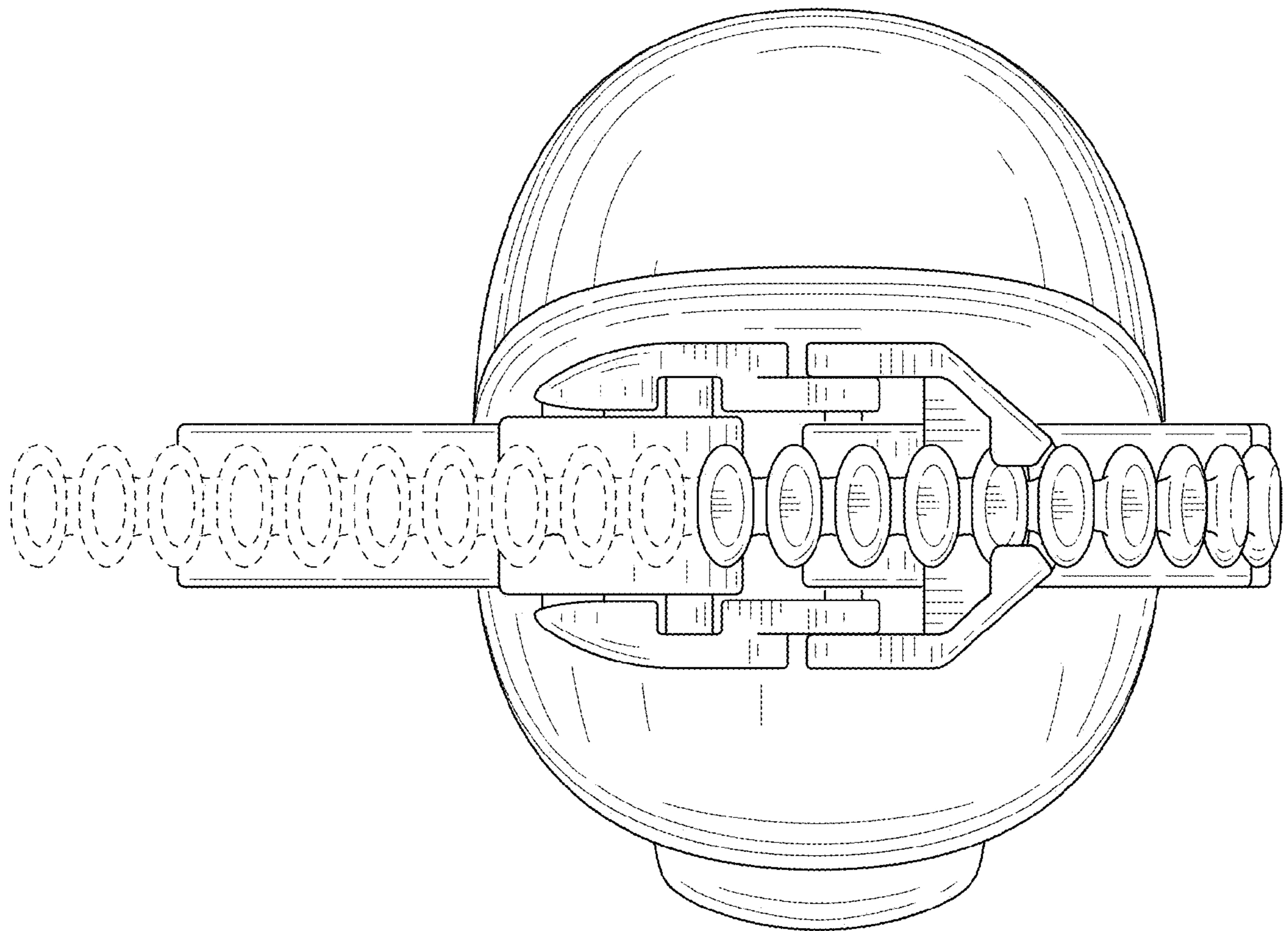


FIG. 7

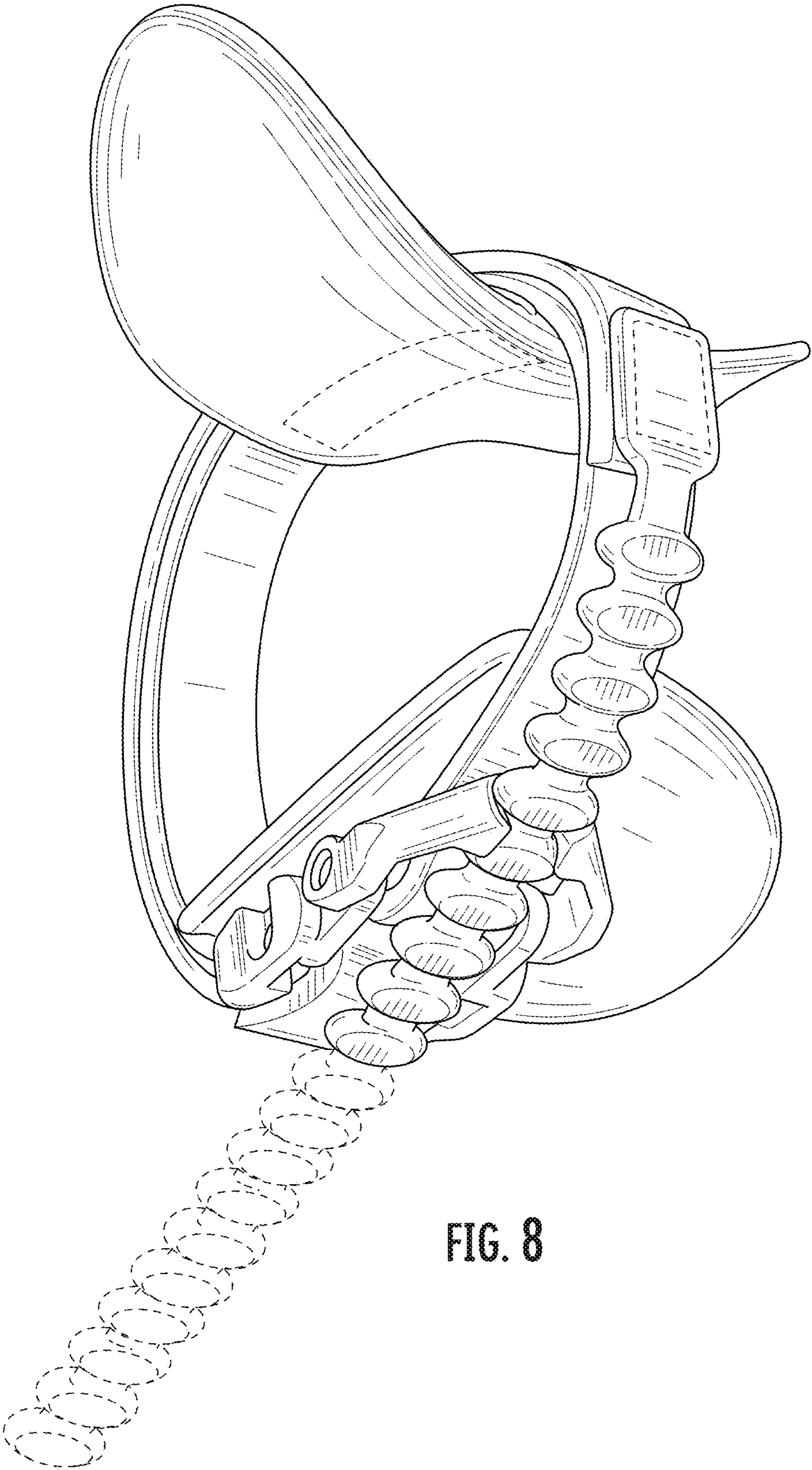


FIG. 8

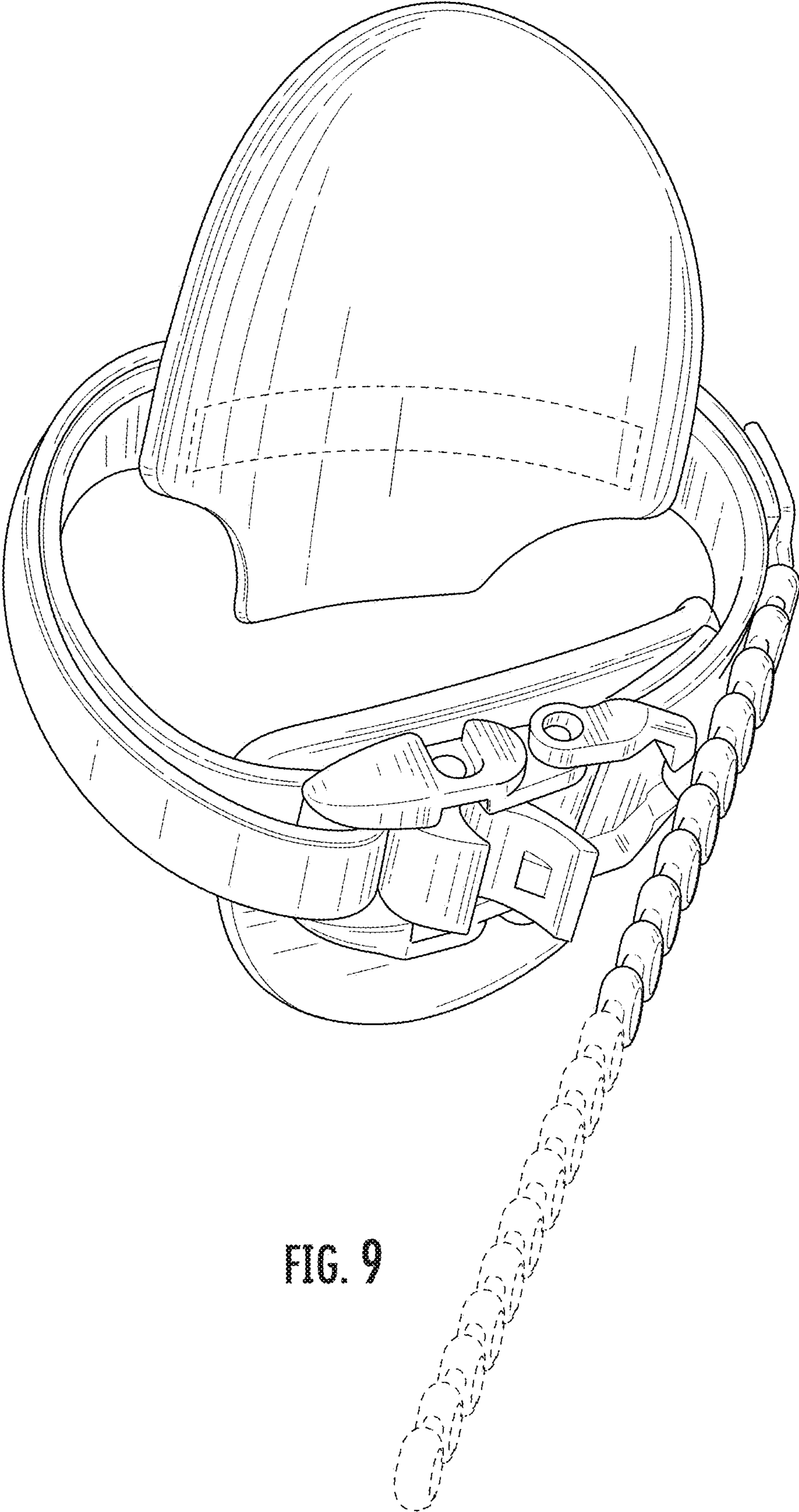


FIG. 9

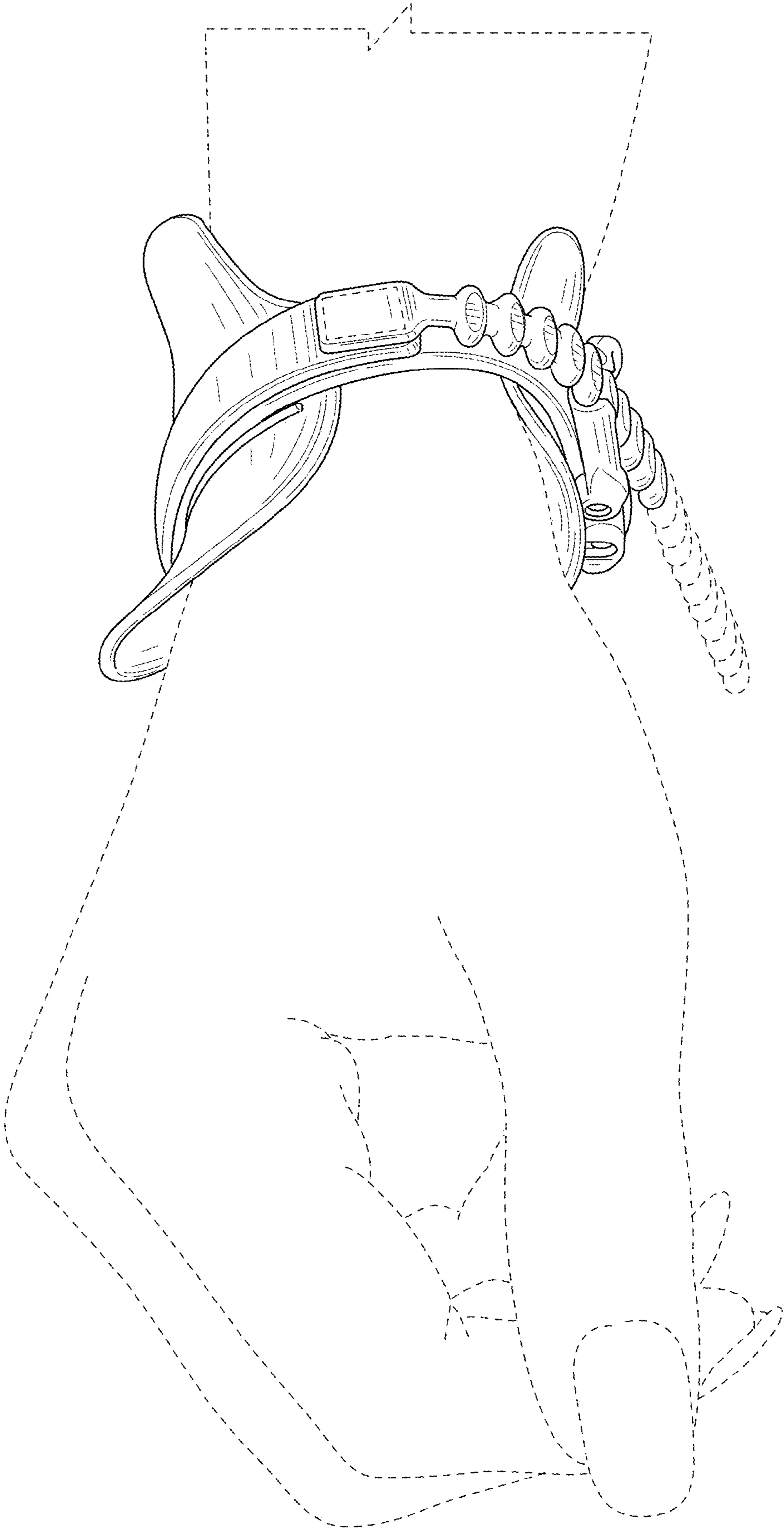


FIG. 10



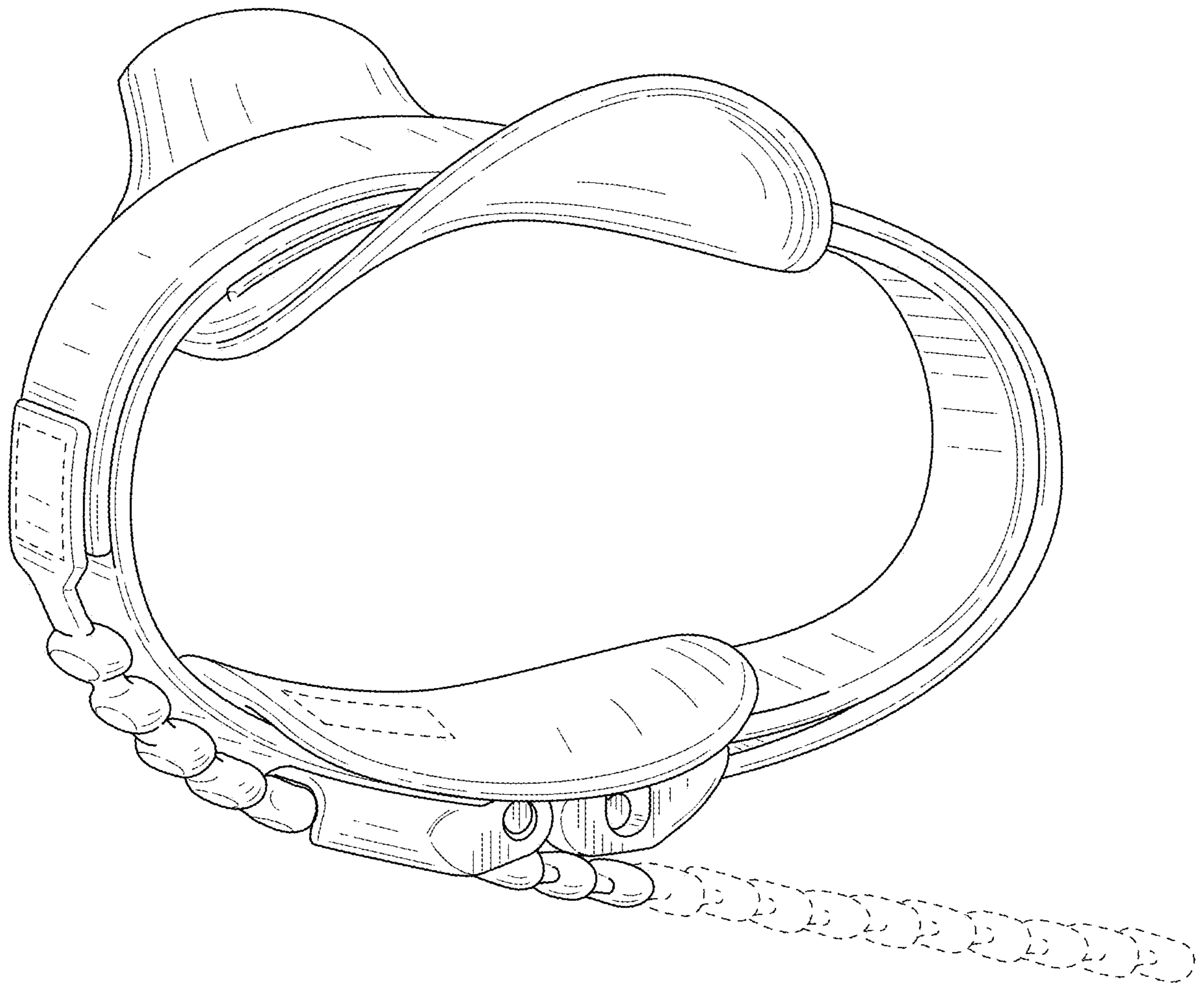


FIG. 11



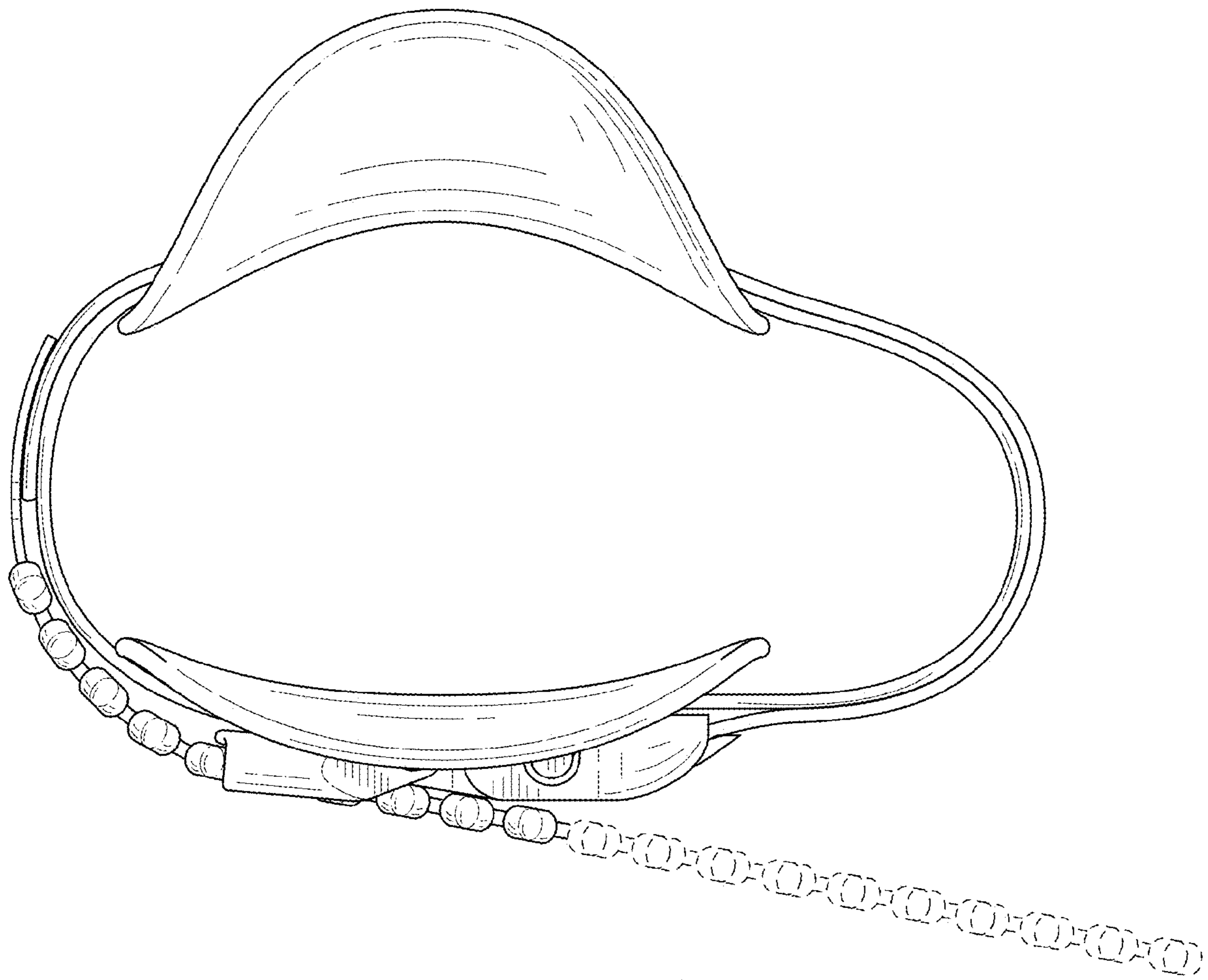


FIG. 12

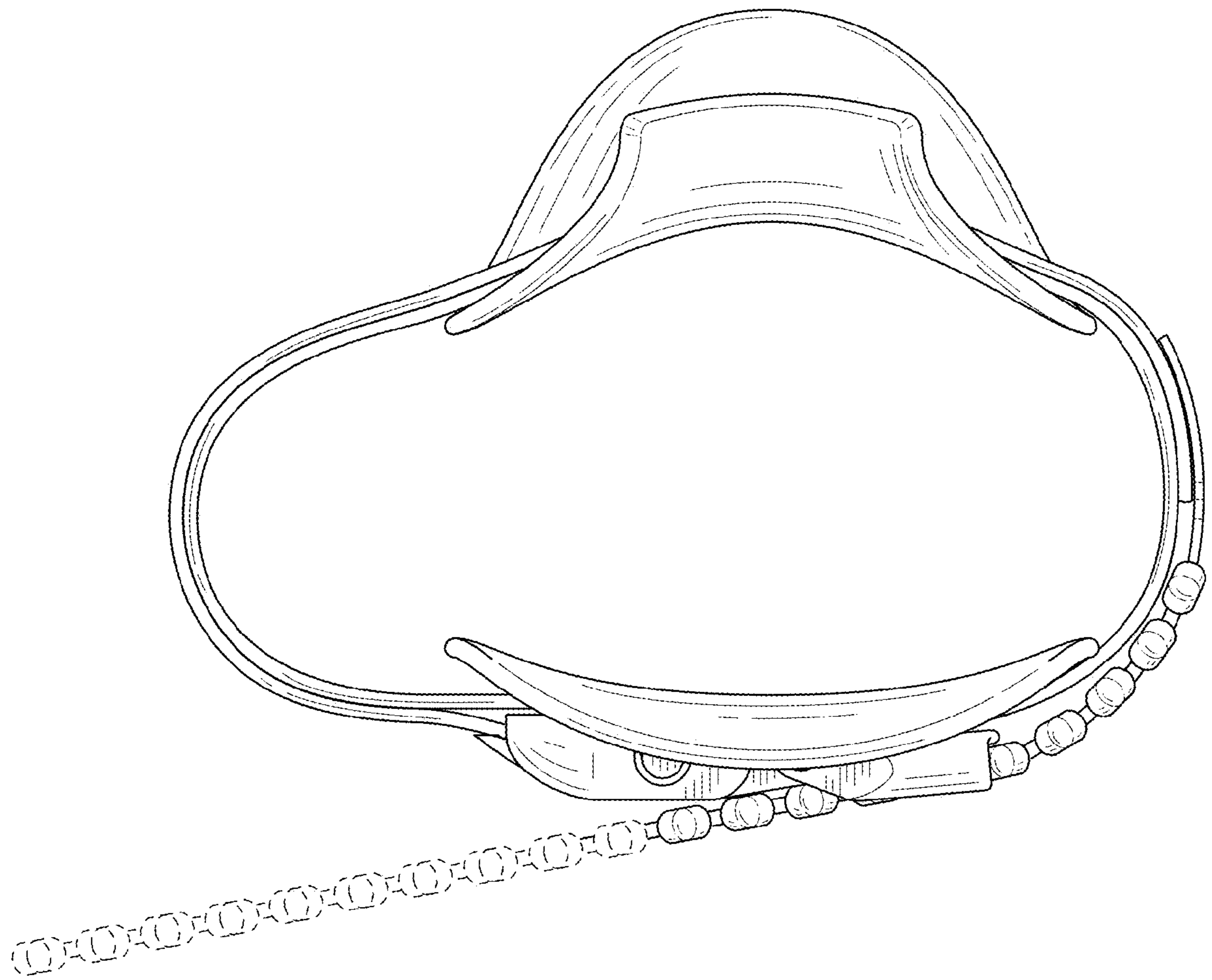


FIG. 13

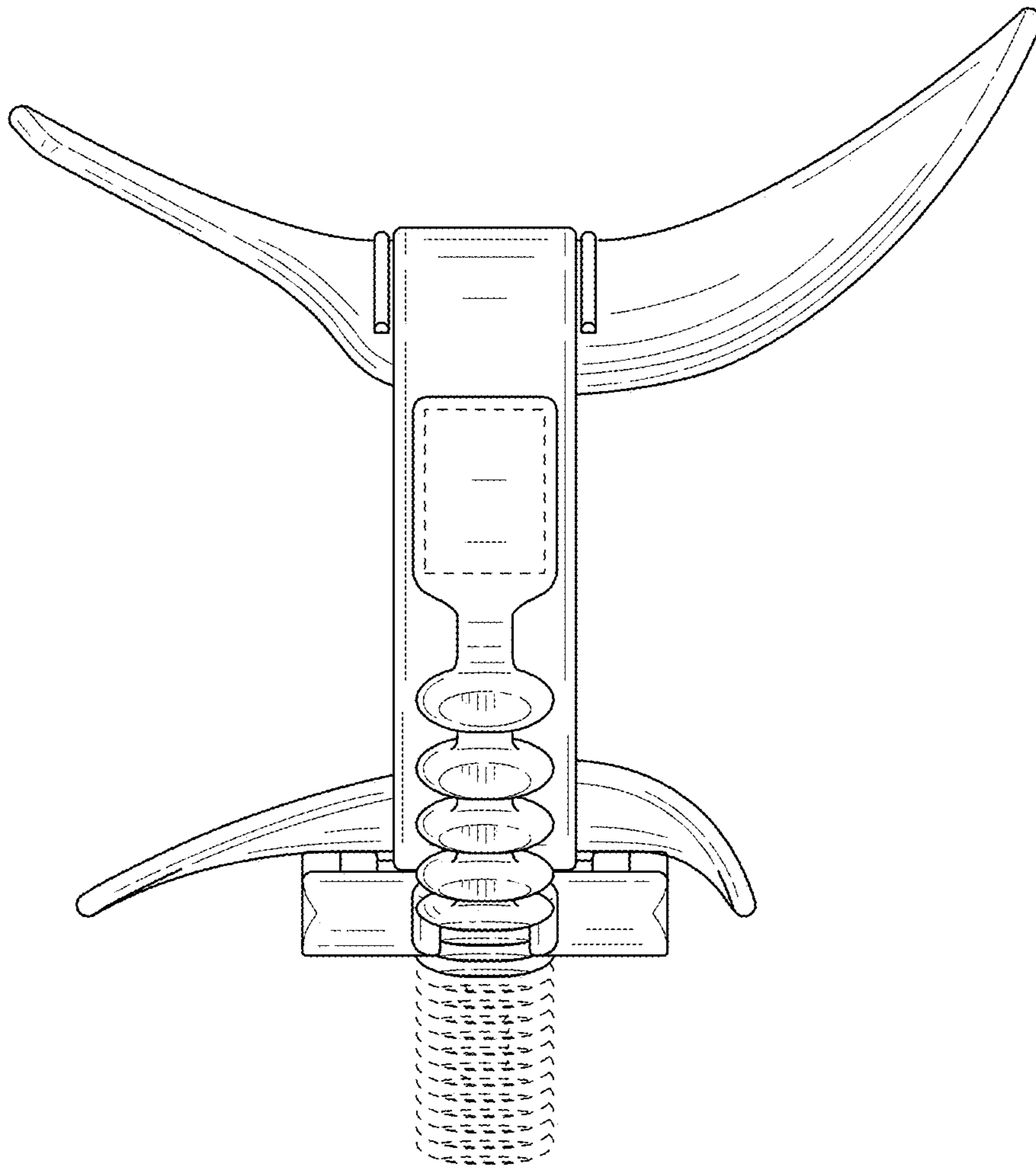


FIG. 14

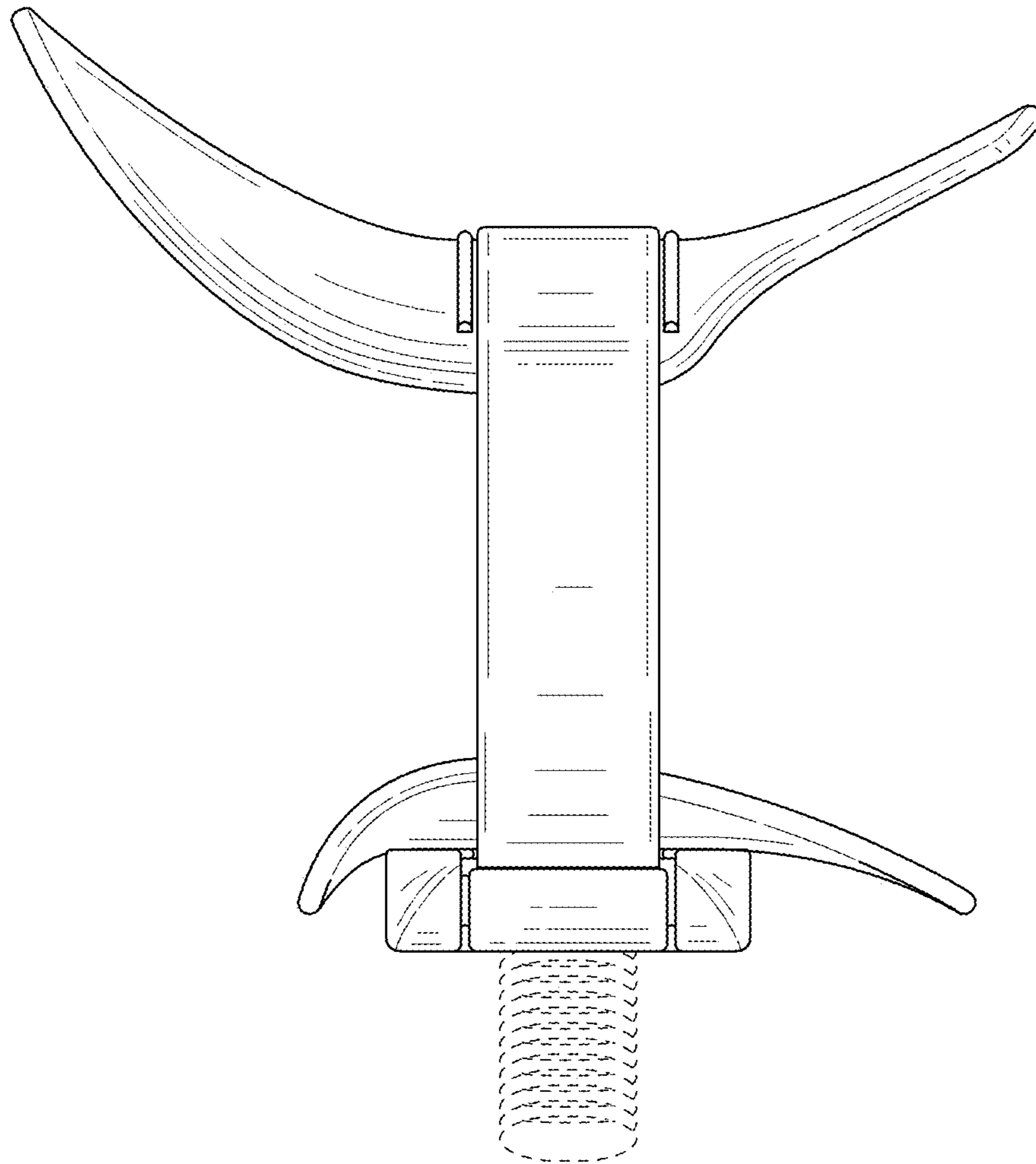


FIG. 15

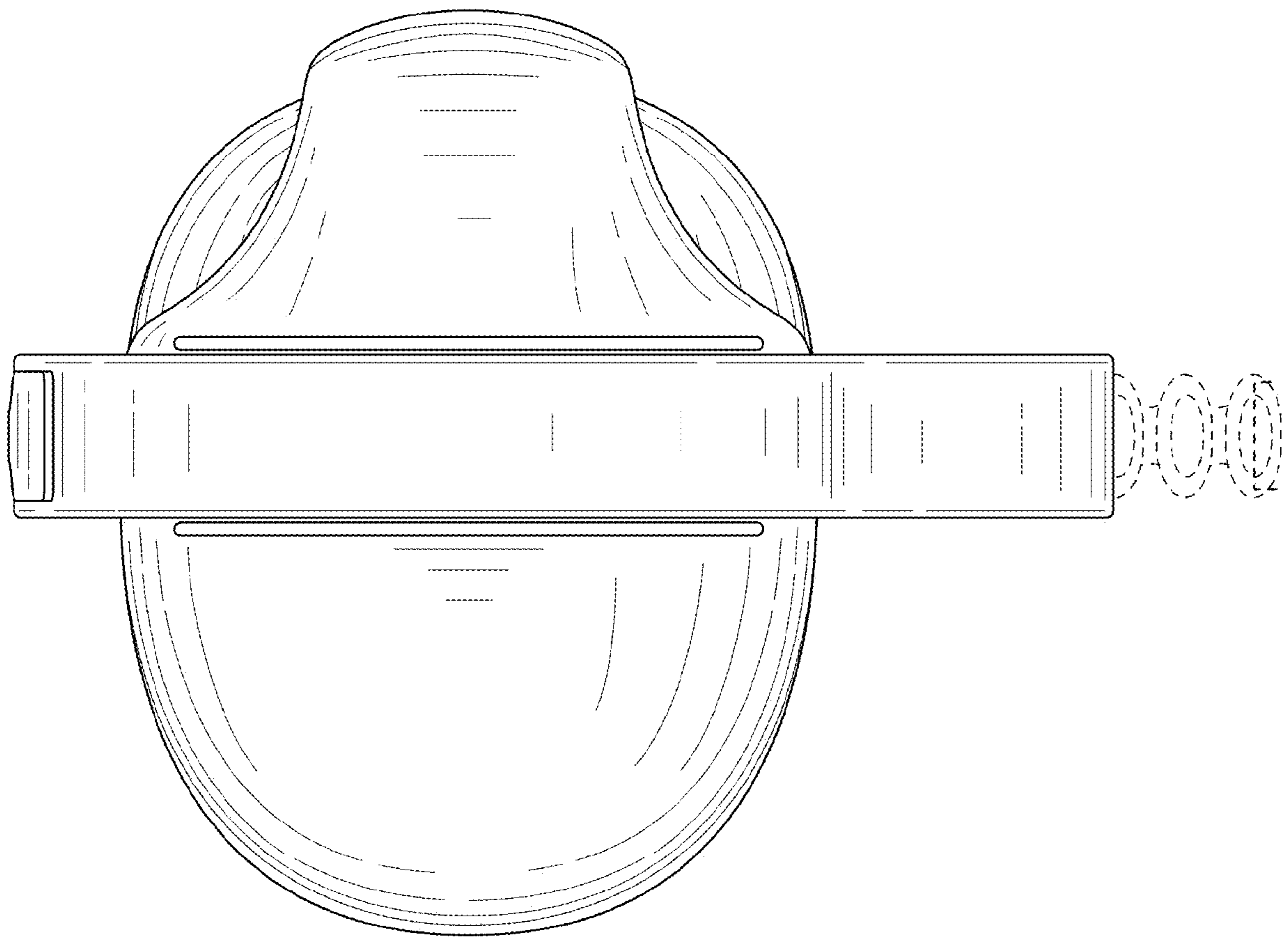


FIG. 16



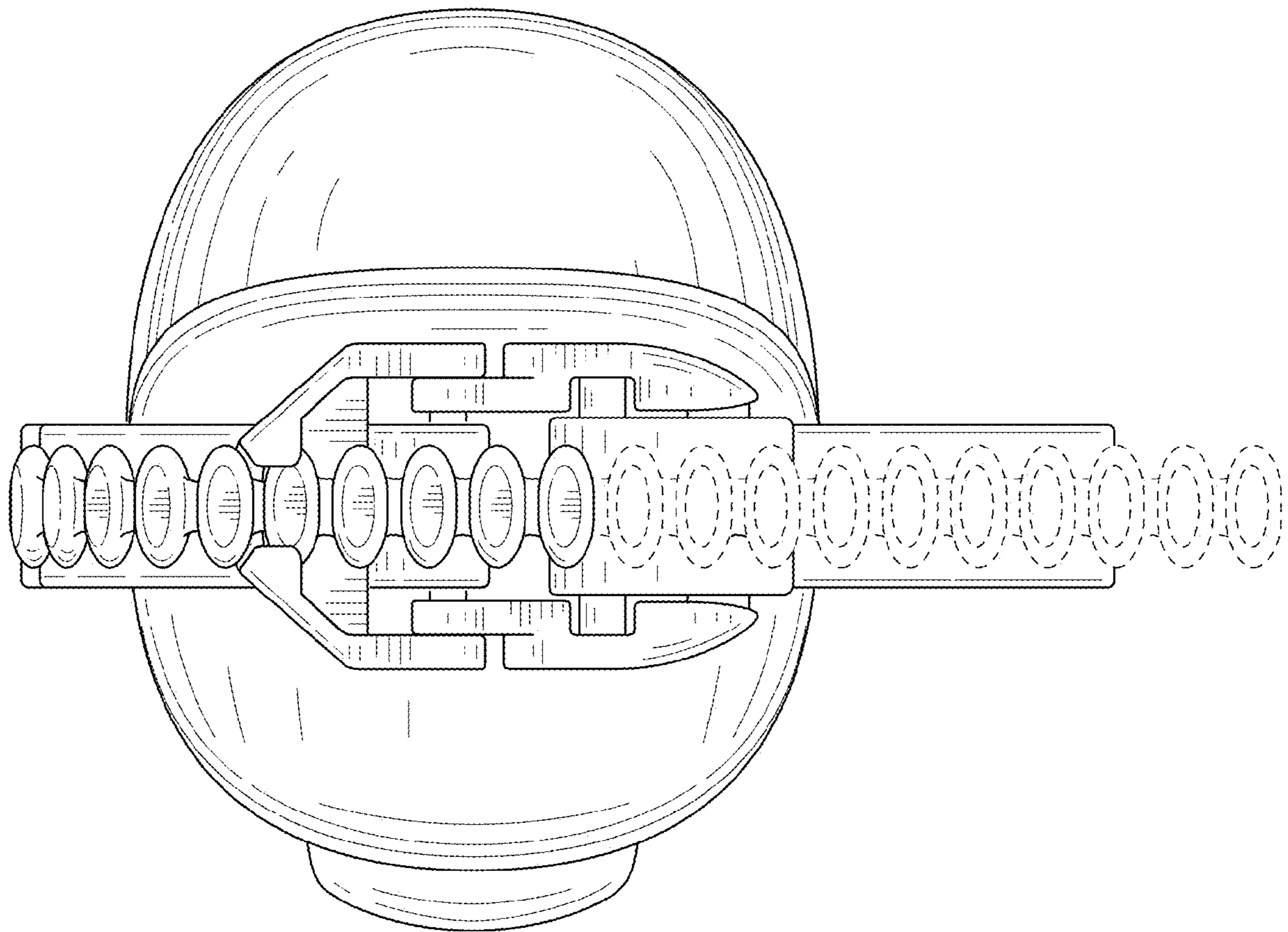


FIG. 17

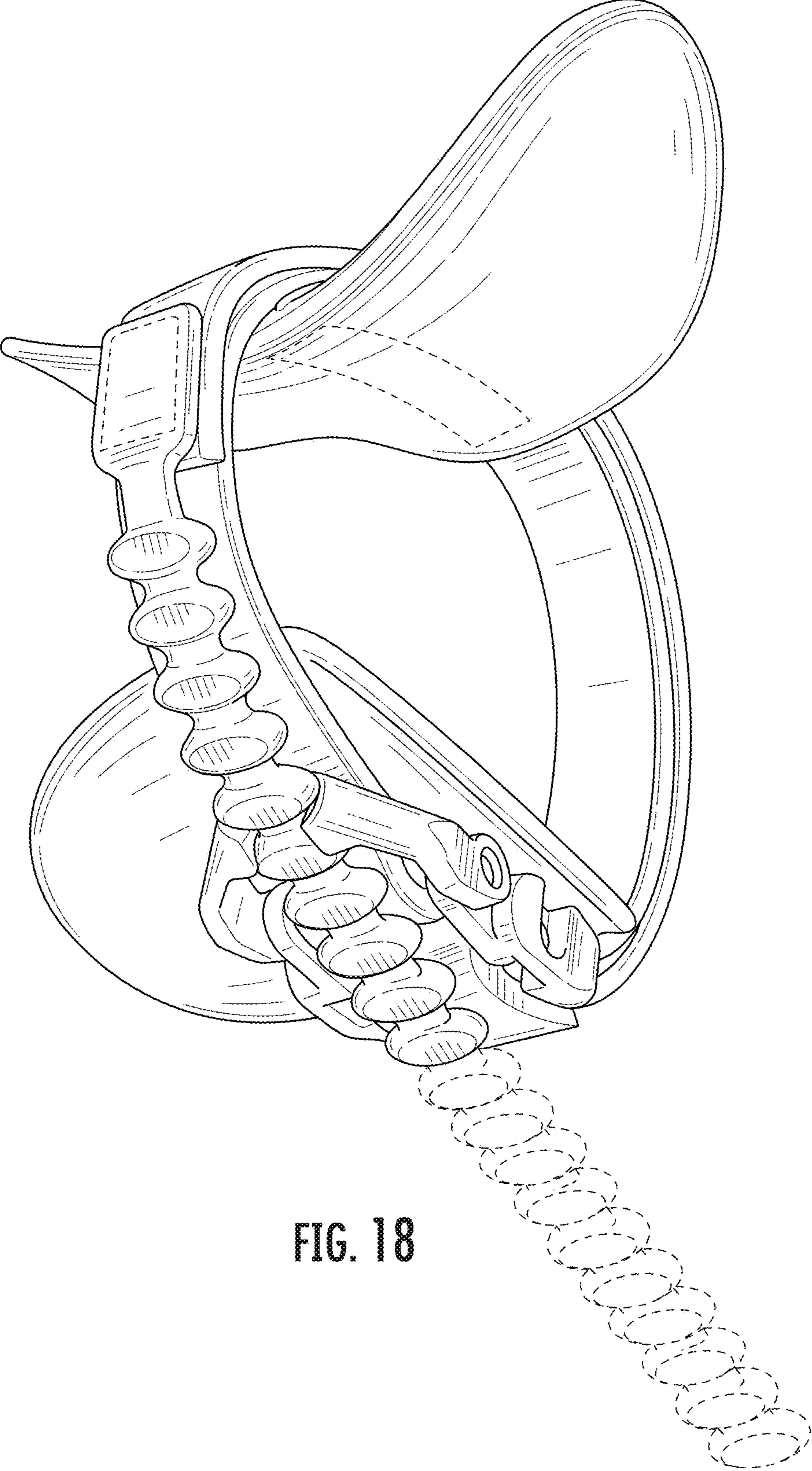


FIG. 18

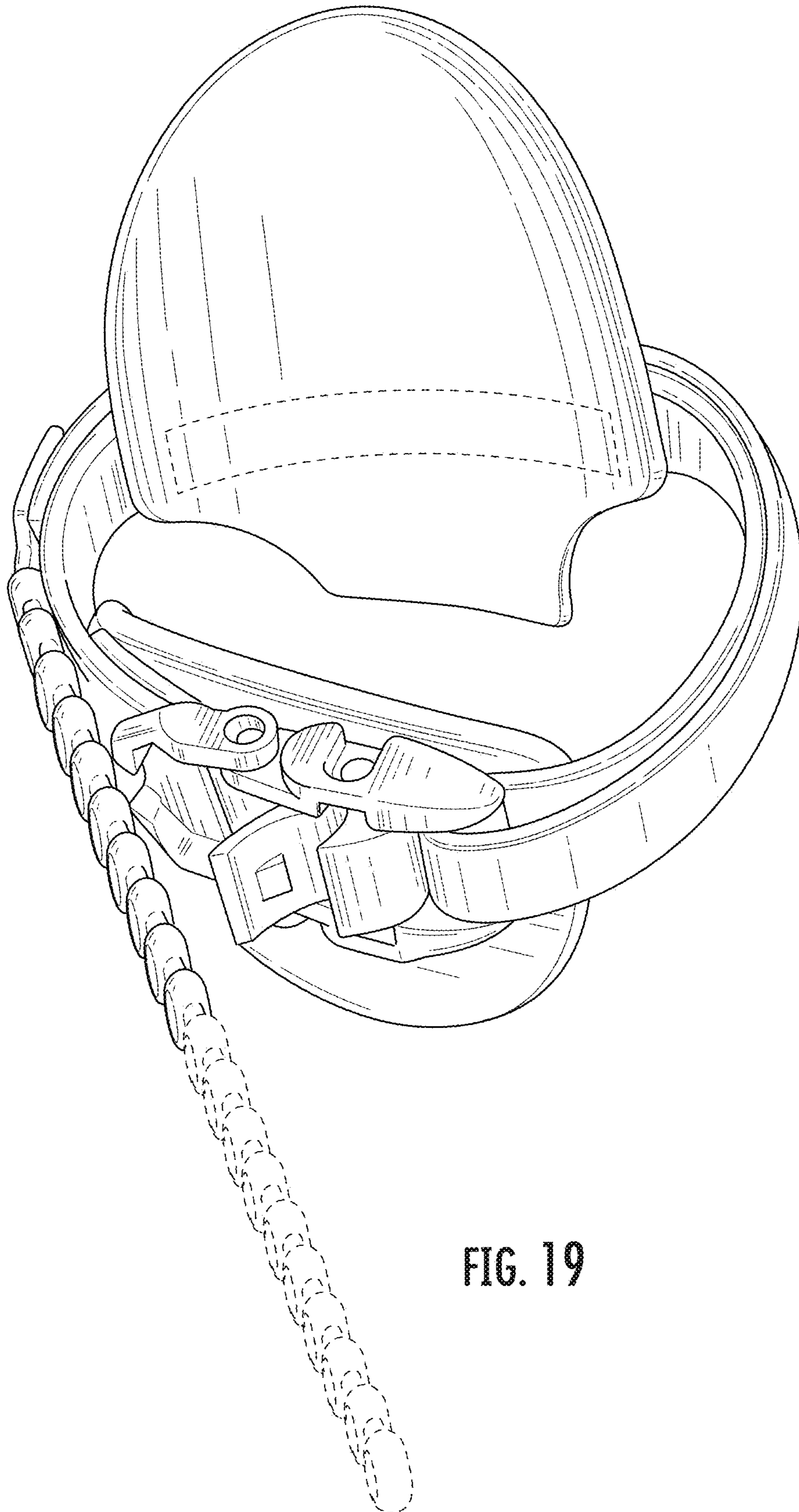


FIG. 19

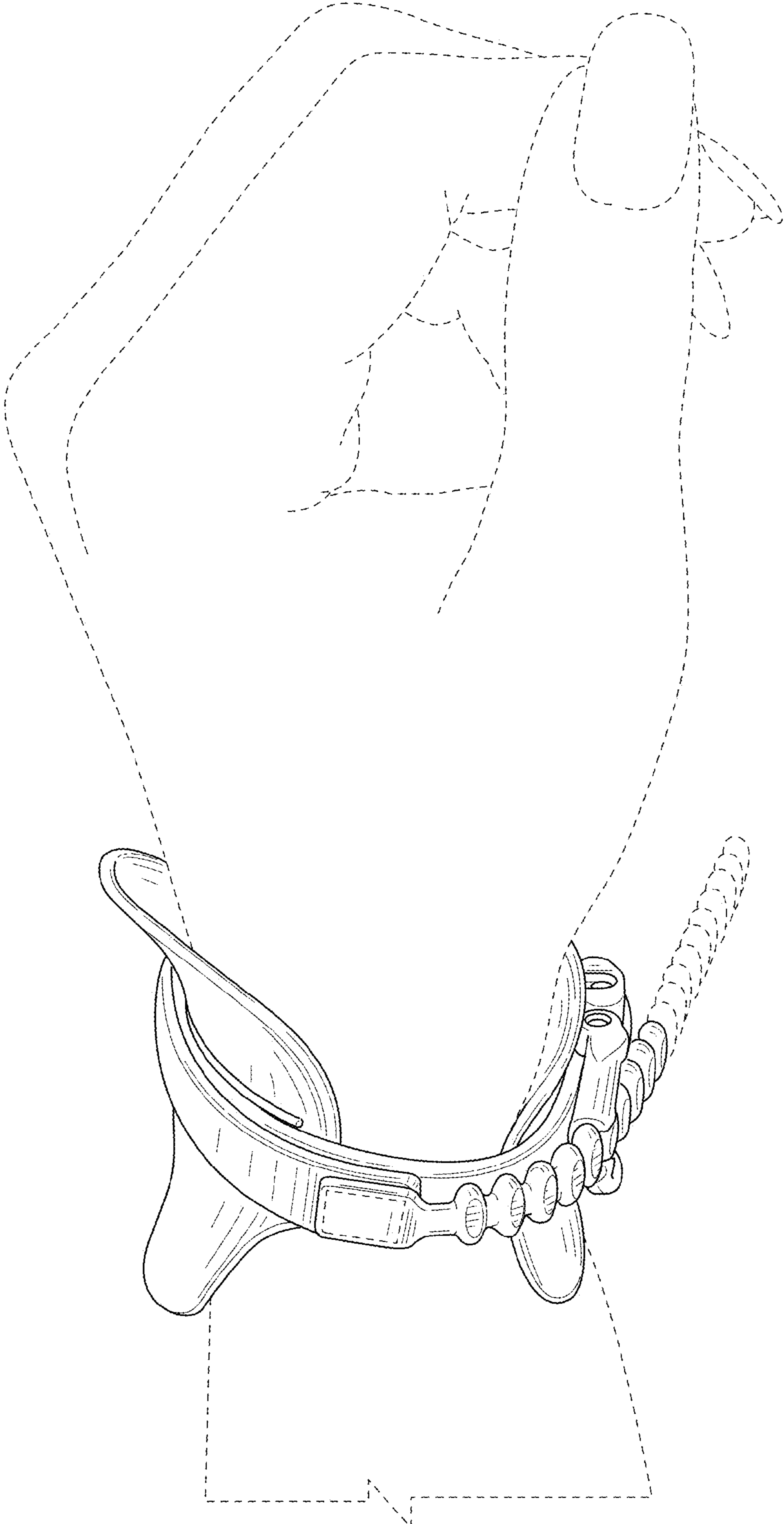


FIG. 20